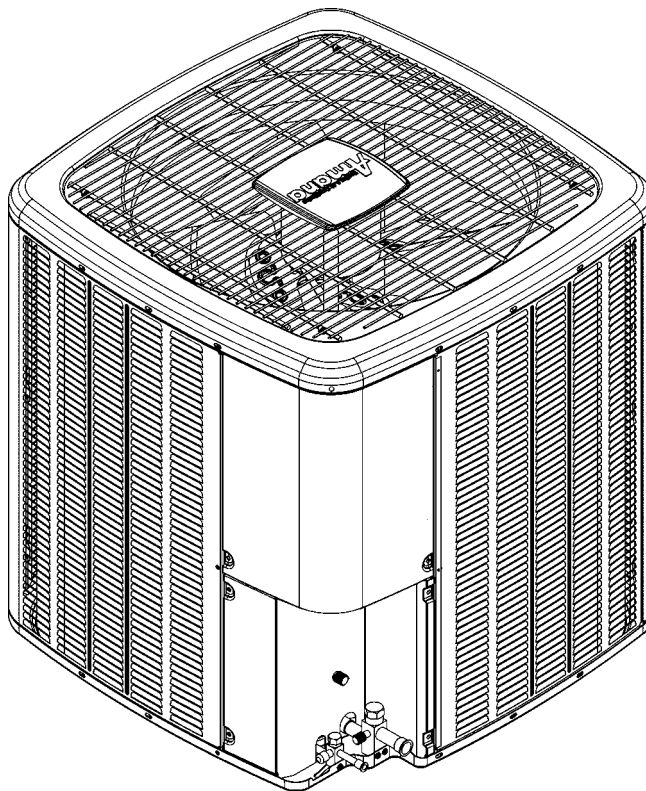


ASZ 18 SEER R410A Remote Heat Pump

ASZ180361AB
ASZ180361AC
ASZ180481AB
ASZ180481AC
ASZ180601AB
ASZ180601AC



Amana is a registered trademark of Maytag Corporation or its related companies and is used under license to Goodman Company, L.P., Houston, TX. All rights reserved.

This manual is to be used by qualified technicians only.

This manual replaces RP-456A

© 2007, 2010 Goodman Company, L.P. ♦ 5151 San Felipe, Suite 500 ♦ Houston, TX 77056

Important Information

Index

Functional Parts List	3
Illustration and Parts	4 - 9

Views shown are for parts illustrations only, not servicing procedures.

Revision B: Added "AC" models

Text Codes:

AR - As Required

NA - Not Available

NS - Not Shown

00000000 - See Note

QTY - Quantity Example (QTY 3) (If Quantity not shown, Quantity = 1)

M - Model Example (M1) (If M Code not shown, then part is used on all Models)

Expanded Model Nomenclature:

Example M1 - Model#1 M2 - Model#2 M3 - Model#3

Goodman Company, L.P. is not responsible for personal injury or property damage resulting from improper service. Review all service information before beginning repairs.

Warranty service must be performed by an authorized technician, using authorized factory parts. If service is required after the warranty expires, Goodman Company, L.P. also recommends contacting an authorized technician and using authorized factory parts.

Goodman Company, L.P. reserves the right to discontinue, or change at any time, specifications or designs without notice or without incurring obligations.

For assistance within the U.S.A. contact:

Consumer Affairs Department
Goodman Company, L.P.
7401 Security Way
Houston, Texas 77040
877-254-4729-Telephone
713-863-2382-Facsimile

For assistance outside the U.S.A. contact:

International Division
Goodman Company, L.P.
7401 Security Way
Houston, Texas 77040
713-861-2500-Telephone
713-863-2382-Facsimile

Functional Parts

Part

No: Description:

B12825171	3/8" SERVICE VALVE
0151R00003P	7/8" SERVICE VALVE OPEN LEFT
CAP050400440RTS	CAPACITOR 5/40/440V (M1, M2)
CAP050450440RTS	CAPACITOR 5/45/440V (M3, M4)
CAP050800440RTS	CAPACITOR 5/80/440V (M5, M6)
ZPS30K4EPFV930	COMPRESSOR 30000, 208/230/60/1/2STG (M1, M2)
ZPS40K4EPFV930	COMPRESSOR 40000, 208/230/60/1/2STG (M3, M4)
ZPS51K4EPFV930	COMPRESSOR 52000, 208/230/60/1/2STG (M5, M6)
0131M00086S	COND MOTOR-ECM
CONT2P030024VS	CONTACTOR 30 AMP, 2P, 24V (M1, M2, M3, M4)
CONT2P040024VS	CONTACTOR 40 AMP, 2P, 24V (M5, M6)
20322603	CUT-OUT SWITCH, HIGH PRESSURE
PCBDM130	DEFROST CONTROL BOARD
B1370803	DEFROST THERMOSTAT
0150M00010S	FAN BLADE 26" ALUM CCW
0130R00000S	LOW PRESSURE SWITCH
543003302	MODULE, COMFORT ALERT
0151M00021S	REVERSING VALVE
B1225022S	SOLENOID COIL
11046711	THERMOSTAT DISC
0151M00010S	TXV VALVE (M3, M4, M5, M6)
0151M00011	TXV VALVE HCAE 3 KX200-R410A (M1, M2)

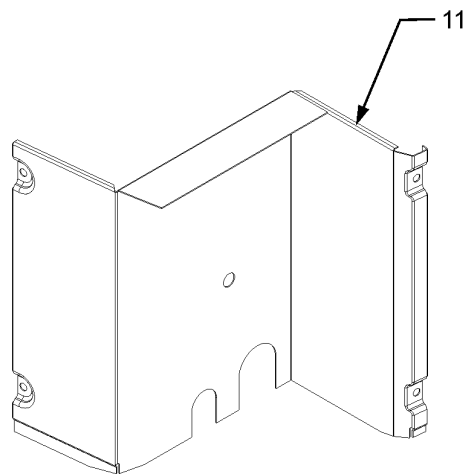
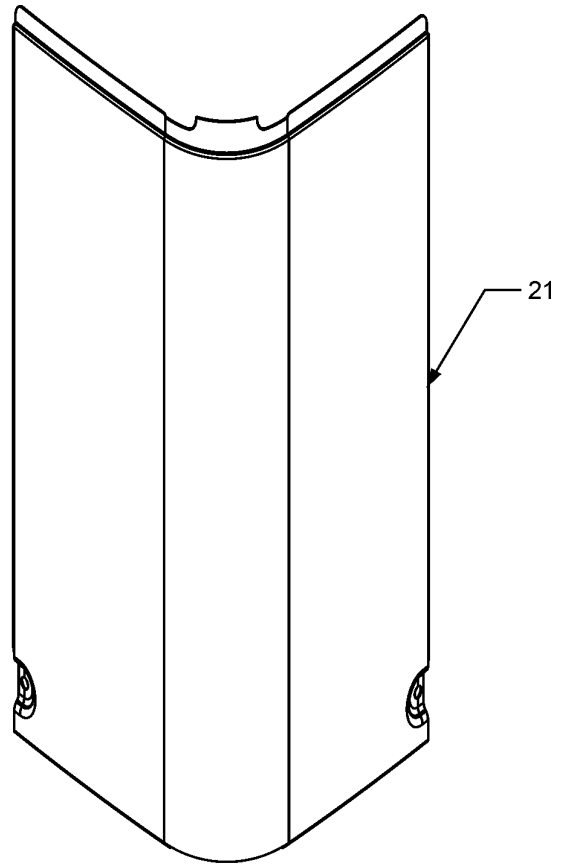
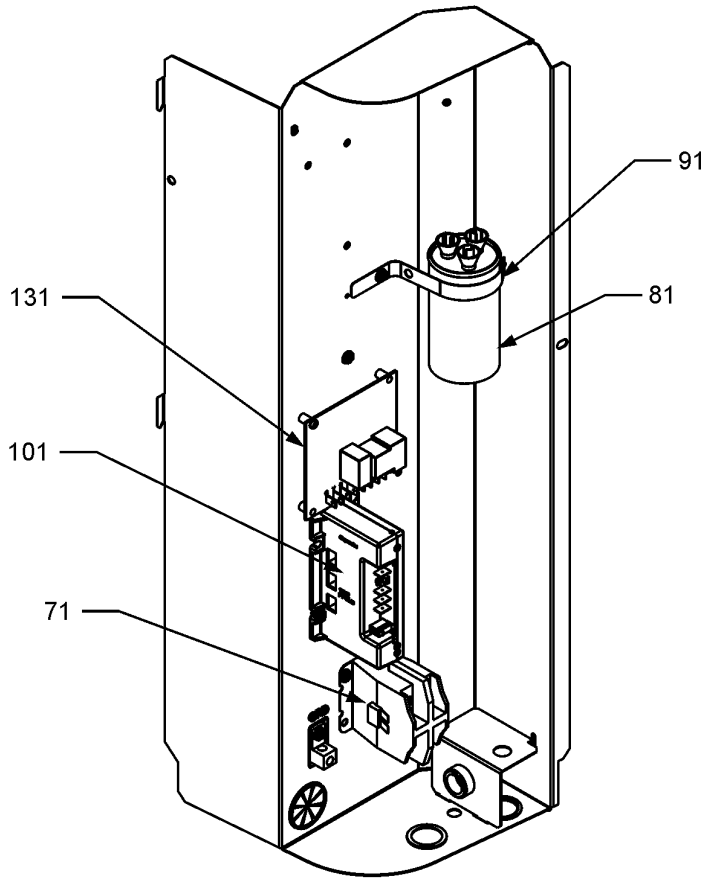
SPECIAL PARTS

0161R00008P	AMANA LOGO CAP
0161R00010P	AMANA NAMEPLATE
IO-259J	INSTRUCTION, INST

Expanded Model Nomenclature

M1 - ASZ180361AB
M2 - ASZ180361AC
M3 - ASZ180481AB
M4 - ASZ180481AC
M5 - ASZ180601AB
M6 - ASZ180601AC

Control Cover / Control Box



Control Cover / Control Box

Ref. Part No:	No:	Description:	Ref. Part No:	No:	Description:
---------------	-----	--------------	---------------	-----	--------------

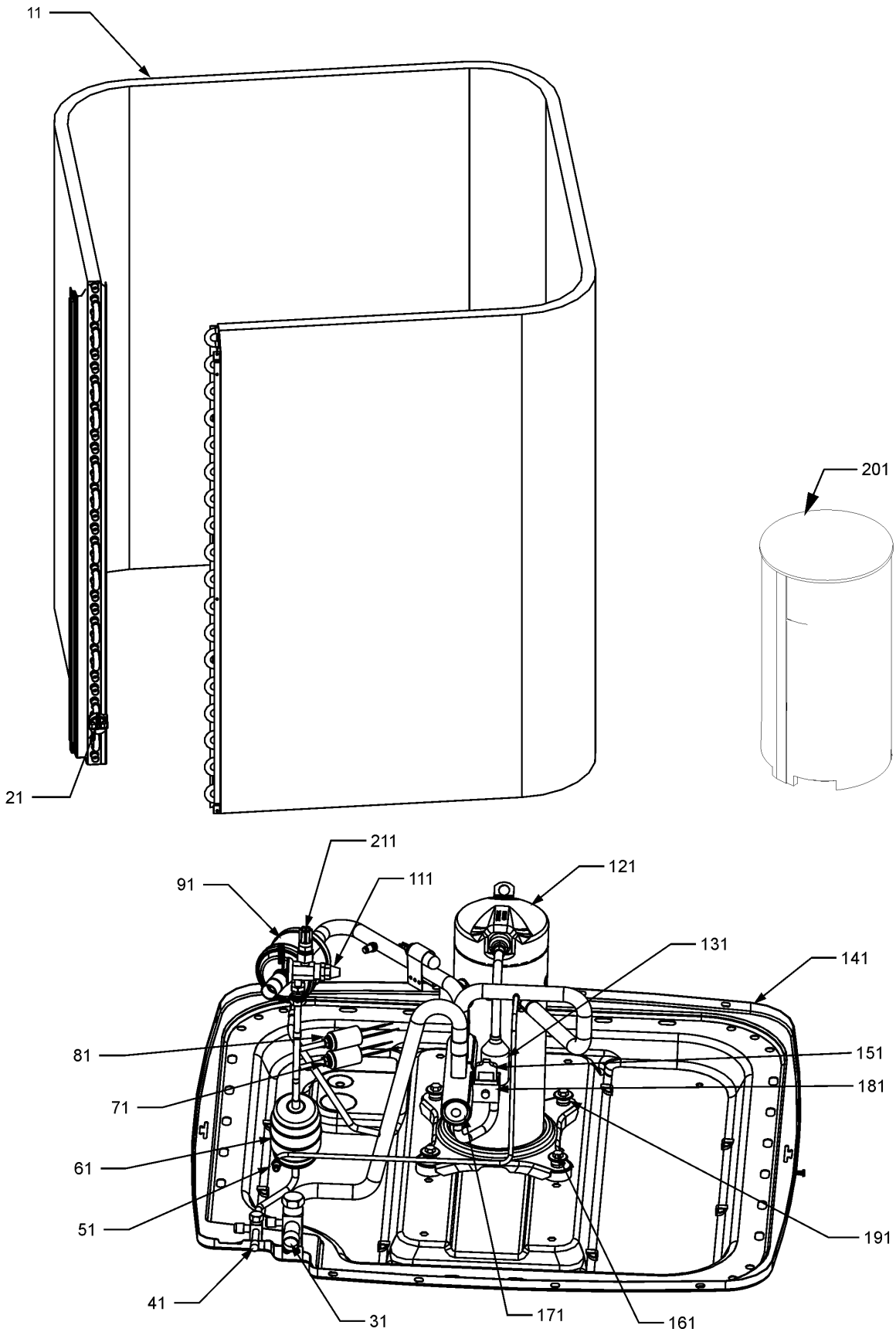
Image 1:

11	4400209PDG	LOWER ACCESS PANEL
21	0121R00054PDG	CONTROL COVER
71	CONT2P030024VS	CONTACTOR 30 AMP, 2P, 24V (M1, M2, M3, M4)
71	CONT2P040024VS	CONTACTOR 40 AMP, 2P, 24V (M5, M6)
81	CAP050400440RTS	CAPACITOR 5/40/440V (M1, M2)
81	CAP050450440RTS	CAPACITOR 5/45/440V (M3, M4)
81	CAP050800440RTS	CAPACITOR 5/80/440V (M5, M6)
91	4400065	CAPACITOR STRAP
101	543003302	MODULE, COMFORT ALERT
131	PCBDM130	DEFROST CONTROL BOARD
NS	0161R00010P	AMANA NAMEPLATE

Expanded Model Nomenclature

M1 - ASZ180361AB
M2 - ASZ180361AC
M3 - ASZ180481AB
M4 - ASZ180481AC
M5 - ASZ180601AB
M6 - ASZ180601AC

Basepan / Compressor / Tubing Assembly



Basepan / Compressor / Tubing Assembly

Ref. Part No: No:	Description:	Ref. Part No: No:	Description:
-------------------	--------------	-------------------	--------------

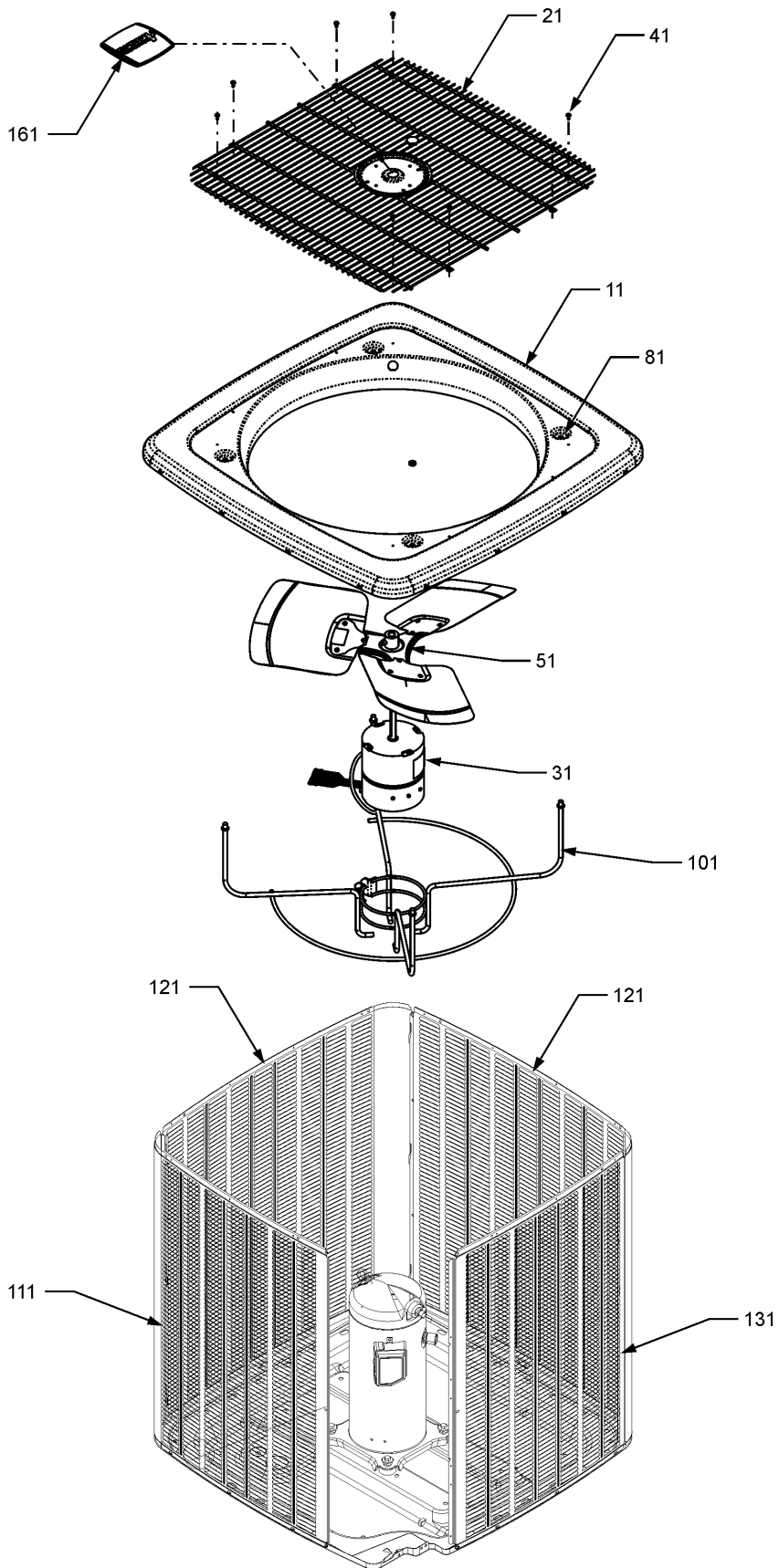
Image 1:

11	0201R00147S	TUBING ASSY, COND COIL (M3, M4, M5, M6)
11	0201R00148S	TUBING ASSY, COND COIL (M1, M2)
21	B1370803	DEFROST THERMOSTAT
31	0151R00003P	7/8" SERVICE VALVE OPEN LEFT
41	B12825171	3/8" SERVICE VALVE
51	B1787000	VALVE CORE
61	20485201	BI-FLOW FILTER DRIER
71	20322603	CUT-OUT SWITCH, HIGH PRESSURE
81	0130R00000S	LOW PRESSURE SWITCH
91	20270812	COMPENSATOR
111	0151M00010S	TXV VALVE (M3, M4, M5, M6)
111	0151M00011S	TXV VALVE (M1, M2)
121	ZPS30K4EPFV930	COMPRESSOR 30000, 208/230/60/1/2STG (M1, M2)
121	ZPS40K4EPFV930	COMPRESSOR 40000, 208/230/60/1/2STG (M3, M4)
121	ZPS51K4EPFV930	COMPRESSOR 52000, 208/230/60/1/2STG (M5, M6)
131	B1219301	MUFFLER 1/2 X 1/2
141	0121R00007PDG	BASE PAN 35"
151	B1225020	SOLENOID COIL CORD W/1/4" TERMINAL (M1, M3, M5)
151	0130M00083	SOLENOID HARNESS W/1/4" TERM (M2, M4, M6)
161	M0221641	TF SHOULDER SCREW (QTY 4)
171	0151M00021S	REVERSING VALVE
181	B1225022S	SOLENOID COIL
191	0164M00018	COMPRESSOR GROMMET (QTY 4)
201	B1488806S	COMPRESSOR SOUND BLANKET
211	0162M00027S	FLOWRATOR .188
NS	B1373310	ACCESS FITTING
NS	B9102097	CAP W/O-RING
NS	B1796633	TEFLON O-RING
NS	11046711	THERMOSTAT DISC
NS	0130M00005P	WIRE HARNESS, COMPRESSOR SOLENOID

Expanded Model Nomenclature

M1 - ASZ180361AB
M2 - ASZ180361AC
M3 - ASZ180481AB
M4 - ASZ180481AC
M5 - ASZ180601AB
M6 - ASZ180601AC

Cabinet Top / Side Panels



Cabinet Top / Side Panels

Ref. Part No:	No:	Description:	Ref. Part No:	No:	Description:
---------------	-----	--------------	---------------	-----	--------------

Image 1:

11	0121R00013PDG	VENTURI TOP PANEL 35"
21	0152R00009	WIRE GRILL 35"
31	0131M00086S	COND MOTOR-ECM
41	0163M00003P	SCREW #10 X 1/2, A, SLOT, SR, BLACK (QTY 8)
51	0150M00010S	FAN BLADE 26" ALUM CCW
81	B1393024	LOCK NUT (QTY 4)
101	0121R00003	MOTOR MOUNT BRACKET
111	0270R00342LGB	LOUVERED SIDE PANEL [LT OF CNTL PNL]
121	0270R00343LGB	LOUVERED SIDE PANEL (QTY 2)
131	0270R00344LG	LOUVERED SIDE PANEL [RT OF CNTL PNL]
161	0161R00008P	AMANA LOGO CAP

Expanded Model Nomenclature

M1 - ASZ180361AB
M2 - ASZ180361AC
M3 - ASZ180481AB
M4 - ASZ180481AC
M5 - ASZ180601AB
M6 - ASZ180601AC

THIS PAGE INTENTIONALLY LEFT BLANK