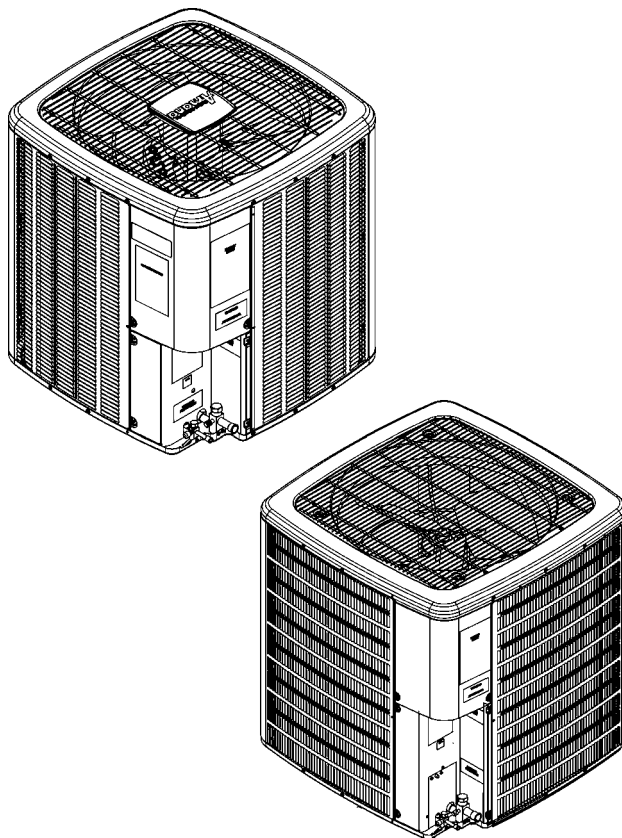


ASZ16 R410A Remote Heat Pump

ASZ160241AA
ASZ160241AB
ASZ160241AC
ASZ160241AD
ASZ160241AE
ASZ160241AF
ASZ160361AA
ASZ160361AB
ASZ160361AC
ASZ160361AD
ASZ160361AE
ASZ160361AF
ASZ160481AA
ASZ160481AB
ASZ160481AC
ASZ160481AD
ASZ160481AE
ASZ160481AF
ASZ160601AA
ASZ160601AB
ASZ160601AC
ASZ160601AD
ASZ160601AE
ASZ160601AF



Amana is a registered trademark of Maytag Corporation or its related companies and is used under license to Goodman Company, L.P., Houston, TX. All rights reserved.

This manual is to be used by qualified technicians only.

This manual replaces RP-414D

© 2006-2010 Goodman Company, L.P. ♦ 5151 San Felipe, Suite 500 ♦ Houston, TX 77056

Important Information

Index

Functional Parts List	3
Illustration and Parts	4 - 9

Views shown are for parts illustrations only, not servicing procedures.

Revision F: Added models ASZ160241AE, ASZ160241AF, ASZ160361AF, ASZ160481AF, and ASZ160601AF.

Text Codes:

AR - As Required

NA - Not Available

NS - Not Shown

00000000 - See Note

QTY - Quantity Example (QTY 3) (If Quantity not shown, Quantity = 1)

M - Model Example (M1) (If M Code not shown, then part is used on all Models)

Expanded Model Nomenclature:

Example M1 - Model#1 M2 - Model#2 M3 - Model#3

Goodman Company, L.P. is not responsible for personal injury or property damage resulting from improper service. Review all service information before beginning repairs.

Warranty service must be performed by an authorized technician, using authorized factory parts. If service is required after the warranty expires, Goodman Company, L.P. also recommends contacting an authorized technician and using authorized factory parts.

Goodman Company, L.P. reserves the right to discontinue, or change at any time, specifications or designs without notice or without incurring obligations.

For assistance within the U.S.A. contact:

Consumer Affairs Department

Goodman Company, L.P.

7401 Security Way

Houston, Texas 77040

877-254-4729-Telephone

713-863-2382-Facsimile

For assistance outside the U.S.A. contact:

International Division

Goodman Company, L.P.

7401 Security Way

Houston, Texas 77040

713-861-2500-Telephone

713-863-2382-Facsimile

Functional Parts

Part

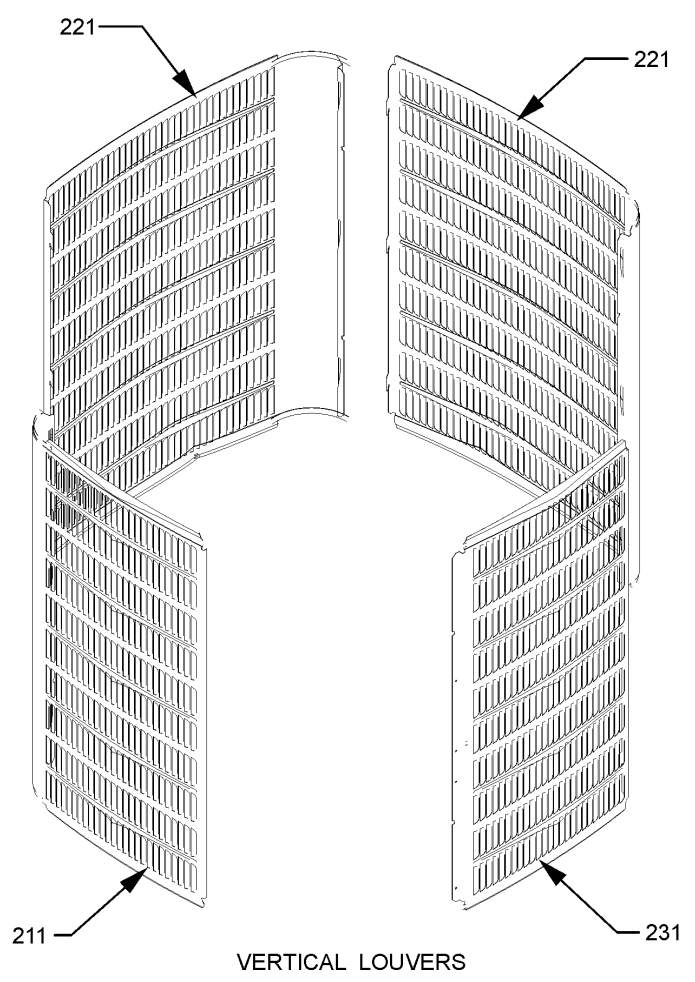
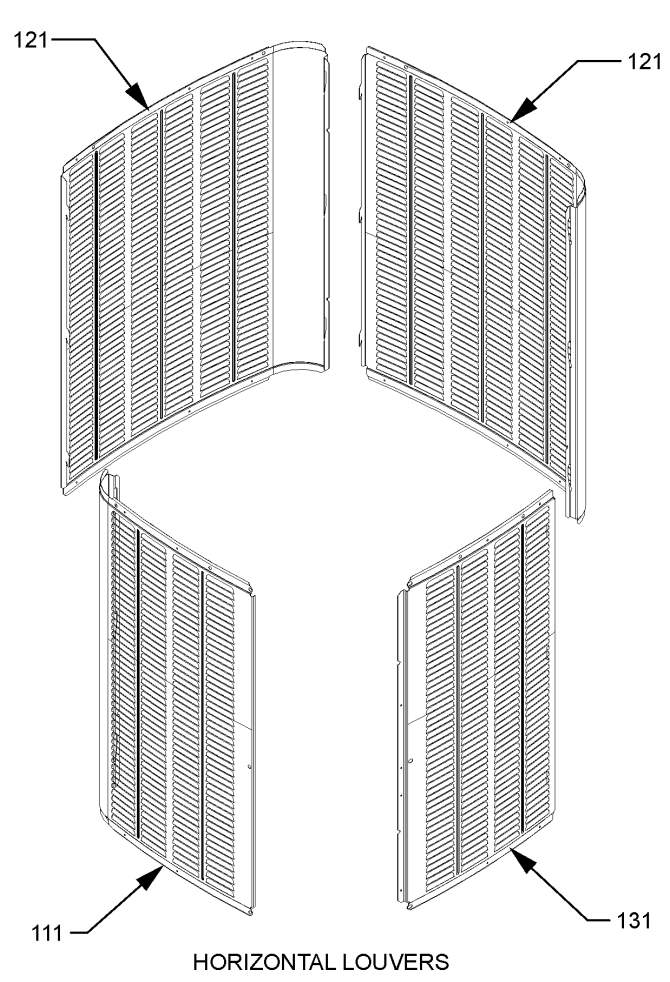
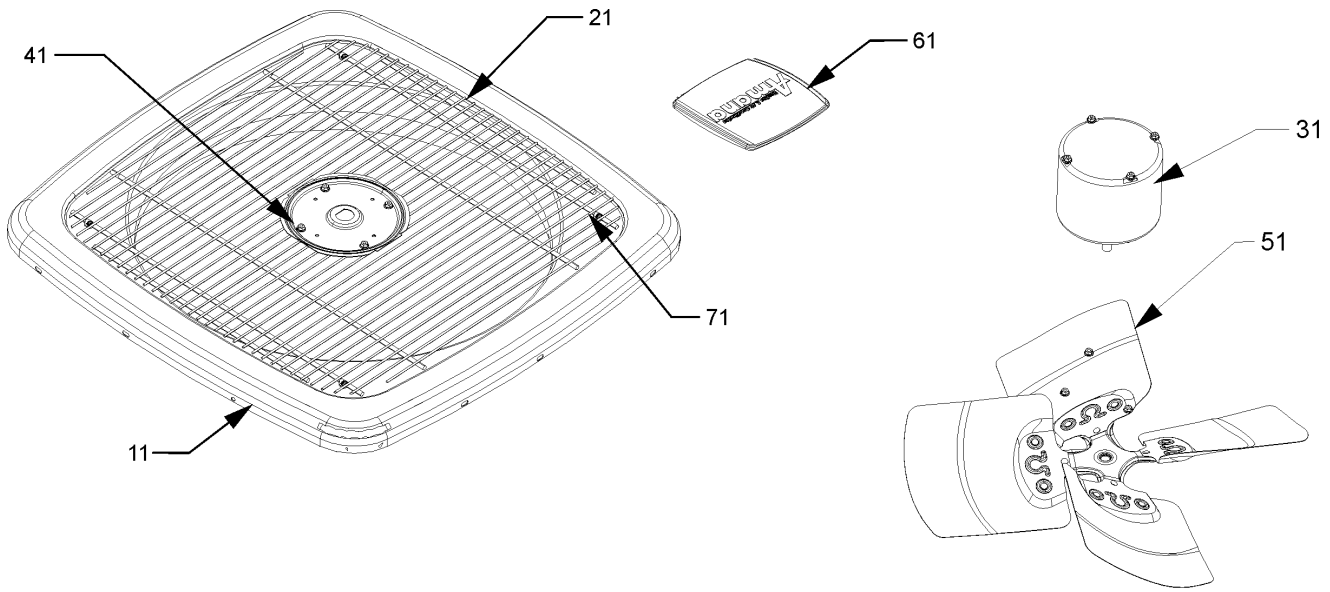
No: Description:

0151R00002P	3/4" SERVICE VALVE OPEN LEFT (M1, M2, M3, M4, M5, M6)	0161R00010P	AMANA NAMEPLATE (M3, M4, M5, M6, M9, M10, M11, M12, M15, M16, M17, M18, M21, M22, M23, M24)
B12825171	3/8" SERVICE VALVE	0161R00014	AMANA NAMEPLATE (M1, M2, M7, M8, M13, M14, M19, M20)
0151R00003P	7/8" SERVICE VALVE OPEN LEFT (M7, M8, M9, M10, M11, M12, M13, M14, M15, M16, M17, M18, M19, M20, M21, M22, M23, M24)	IO-259H	HEAT PUMP INSTALLATION MANUAL (M2, M3, M4, M5, M6, M8, M9, M10, M11, M12, M14, M15, M16, M17, M18, M20, M21, M22, M23, M24)
CAP050350440RSS	CAPACITOR 5/35/440V (M1, M2, M3, M4, M5, M6)	Expanded Model Nomenclature	
CAP050400440RTS	CAPACITOR 5/40/440V (M7, M8, M9, M10, M11, M12)		
CAP050450440RTS	CAPACITOR 5/45/440V (M13, M14, M15, M16, M17, M18)	M1 - ASZ160241AA	
CAP050800440RTS	CAPACITOR 5/80/440V (M19, M20, M21, M22, M23, M24)	M2 - ASZ160241AB	
ZPS20K4EPFV930	COMPRESSOR 20000, 208/230/60/1/2STG (M1, M2, M3, M4, M5, M6)	M3 - ASZ160241AC	
ZPS30K4EPFV930	COMPRESSOR 30000, 208/230/60/1/2STG (M7, M8, M9, M10, M11, M12)	M4 - ASZ160241AD	
ZPS40K4EPFV930	COMPRESSOR 40000, 208/230/60/1/2STG (M13, M14, M15, M16, M17, M18)	M5 - ASZ160241AE	
ZPS51K4EPFV930	COMPRESSOR 52000, 208/230/60/1/2STG (M19, M20, M21, M22, M23, M24)	M6 - ASZ160241AF	
0131M00038S	COND MOTOR 1/6 HP, 2 SP, 8 PL	M7 - ASZ160361AA	
CONT2P025024VS	CONTACTOR 25 AMP, 2P, 24V (M1, M2, M3, M4, M5, M6)	M8 - ASZ160361AB	
CONT2P030024VS	CONTACTOR 30 AMP, 2P, 24V (M7, M8, M9, M10, M11, M12, M13, M14, M15, M16, M17, M18)	M9 - ASZ160361AC	
CONT2P040024VS	CONTACTOR 40 AMP, 2P, 24V (M19, M20, M21, M22, M23, M24)	M10 - ASZ160361AD	
20322603	CUT-OUT SWITCH, HIGH PRESSURE	M11 - ASZ160361AE	
PCBDM130	DEFROST CONTROL BOARD	M12 - ASZ160361AF	
B1370803	DEFROST THERMOSTAT	M13 - ASZ160481AA	
10625737S	FAN BLADE 22" ALUM CCW (M1, M2, M3, M4, M5, M6)	M14 - ASZ160481AB	
10625738S	FAN BLADE 26" ALUM CCW (M7, M8, M9, M10, M11, M12, M13, M14, M15, M16, M17, M18, M19, M20, M21, M22, M23, M24)	M15 - ASZ160481AC	
0130R00000S	LOW PRESSURE SWITCH	M16 - ASZ160481AD	
543003302	MODULE, COMFORT ALERT	M17 - ASZ160481AE	
10135604	RELAY	M18 - ASZ160481AF	
0151M00018S	REVERSING VALVE (M5, M6)	M19 - ASZ160601AA	
0151M00019S	REVERSING VALVE (M1, M2, M3, M4)	M20 - ASZ160601AB	
0151M00021S	REVERSING VALVE (M7, M8, M9, M10, M11, M12, M13, M14, M15, M16, M17, M18, M19, M20, M21, M22, M23, M24)	M21 - ASZ160601AC	
B1225022S	SOLENOID COIL	M22 - ASZ160601AD	
11046711	THERMOSTAT DISC	M23 - ASZ160601AE	
		M24 - ASZ160601AF	

SPECIAL PARTS

0161R00008P AMANA LOGO CAP

Cabinet Top / Side Panels



Cabinet Top / Side Panels

Ref. Part No:	No:	Description:	Ref. Part No:	No:	Description:
<i>Image 1:</i>			Expanded Model Nomenclature		
11	0121R00011PDG	VENTURI TOP PANEL 29" (M1, M2, M3, M4, M5, M6)	M1 - ASZ160241AA		
11	0121R00013PDG	VENTURI TOP PANEL 35" (M7, M8, M9, M10, M11, M12, M13, M14, M15, M16, M17, M18, M19, M20, M21, M22, M23, M24)	M2 - ASZ160241AB		
21	0152R00008	WIRE GRILL 29" (M1, M2, M3, M4, M5, M6)	M3 - ASZ160241AC		
21	0152R00009	WIRE GRILL 35" (M7, M8, M9, M10, M11, M12, M13, M14, M15, M16, M17, M18, M19, M20, M21, M22, M23, M24)	M4 - ASZ160241AD		
31	0131M00038S	COND MOTOR 1/6 HP, 2 SP, 8 PL	M5 - ASZ160241AE		
41	M0280801	HEX NUT (QTY 4)	M6 - ASZ160241AF		
51	10625737S	FAN BLADE 22" ALUM CCW (M1, M2, M3, M4, M5, M6)	M7 - ASZ160361AA		
51	10625738S	FAN BLADE 26" ALUM CCW (M7, M8, M9, M10, M11, M12, M13, M14, M15, M16, M17, M18, M19, M20, M21, M22, M23, M24)	M8 - ASZ160361AB		
61	0161R00008P	AMANA LOGO CAP	M9 - ASZ160361AC		
71	0163M00003P	SCREW #10 X 1/2, A, SLOT, SR, BLACK (M2, M3, M4, M5, M6, M8, M9, M10, M11, M12, M14, M15, M16, M17, M18, M20, M21, M22, M23, M24)	M10 - ASZ160361AD		
111	4400464PLGB	LOUVERED SIDE PANEL [LT OF CNTL PNL] (M9, M10, M11, M12, M15, M16, M17, M18, M21, M22, M23, M24)	M11 - ASZ160361AE		
111	4400458PLGB	LOUVERED SIDE PANEL [LT OF CNTL PNL] (M3, M4, M5, M6)	M12 - ASZ160361AF		
121	4400460PLGB	LOUVERED SIDE PANEL (M3, M4, M5, M6)	M13 - ASZ160481AA		
121	4400466PLGB	LOUVERED SIDE PANEL (M9, M10, M11, M12, M15, M16, M17, M18, M21, M22, M23, M24)	M14 - ASZ160481AB		
131	4400462PLG	LOUVERED SIDE PANEL [RT OF CNTL PNL] (M3, M4, M5, M6)	M15 - ASZ160481AC		
131	4400468PLG	LOUVERED SIDE PANEL [RT OF CNTL PNL] (M9, M10, M11, M12, M15, M16, M17, M18, M21, M22, M23, M24)	M16 - ASZ160481AD		
211	0121R00027PLGB	LOUVERED SIDE PANEL [LT OF CNTL PNL] (M1, M2)	M17 - ASZ160481AE		
211	0121R00043PLGB	LOUVERED SIDE PANEL-VERTICAL (M7, M8, M13, M14, M19, M20)	M18 - ASZ160481AF		
221	0121R00033PLGB	LOUVERED SIDE PANEL (M1, M2)	M19 - ASZ160601AA		
221	0121R00047PLGB	LOUVERED SIDE PANEL (M7, M8, M13, M14, M19, M20)	M20 - ASZ160601AB		
231	0121R00039PLG	LOUVERED SIDE PANEL [RT OF CNTL PNL] (M1, M2)	M21 - ASZ160601AC		
231	0121R00051PLG	LOUVERED SIDE PANEL [RT OF CNTL PNL] (M7, M8, M13, M14, M19, M20)	M22 - ASZ160601AD		
NS	0161R00010P	AMANA NAMEPLATE (M3, M4, M5, M6, M9, M10, M11, M12, M15, M16, M17, M18, M21, M22, M23, M24)	M23 - ASZ160601AE		
NS	0161R00014	AMANA NAMEPLATE (M1, M2, M7, M8, M13, M14, M19, M20)	M24 - ASZ160601AF		
NS	0161R00002P	CONDUIT (M1, M2, M3, M4, M5, M6)			
NS	0161R00004P	CONDUIT (M7, M8, M9, M10, M11, M12, M13, M14, M15, M16, M17, M18, M19, M20, M21, M22, M23, M24)			

Control & Access Panel/Cover/Cond Coil

Image 1

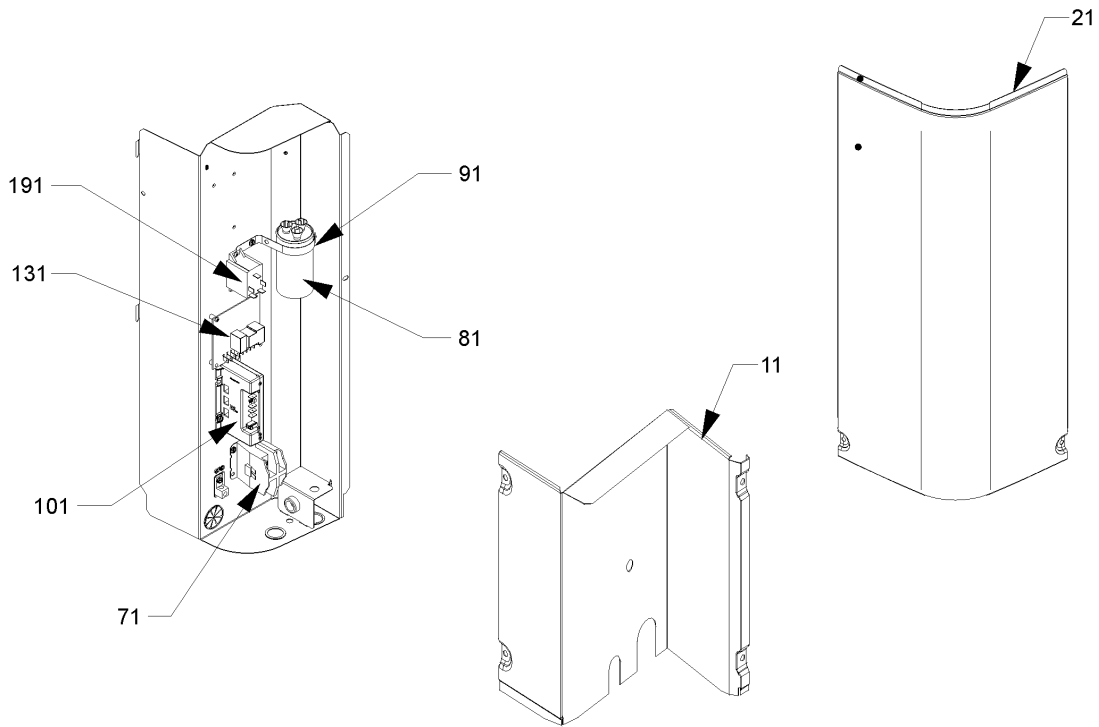
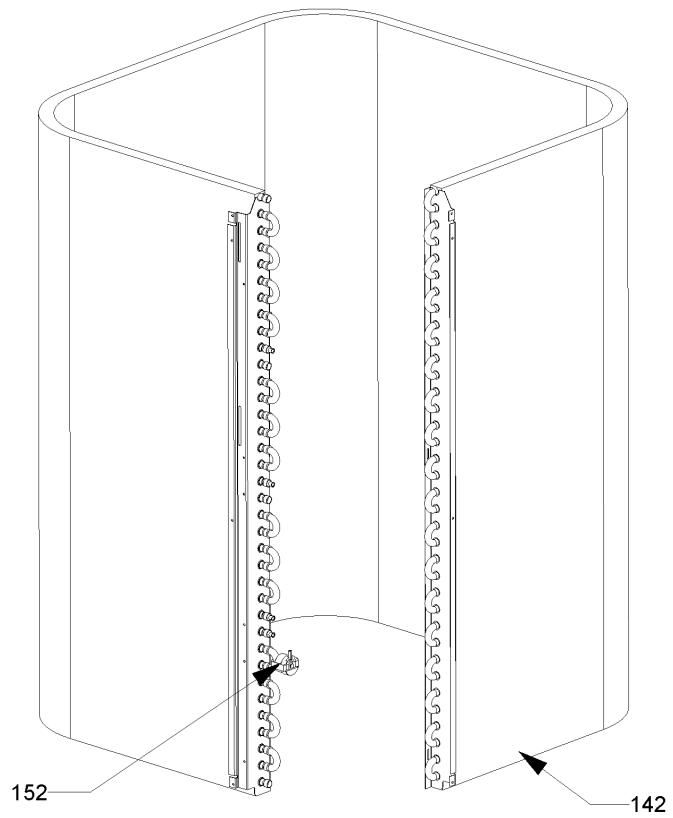


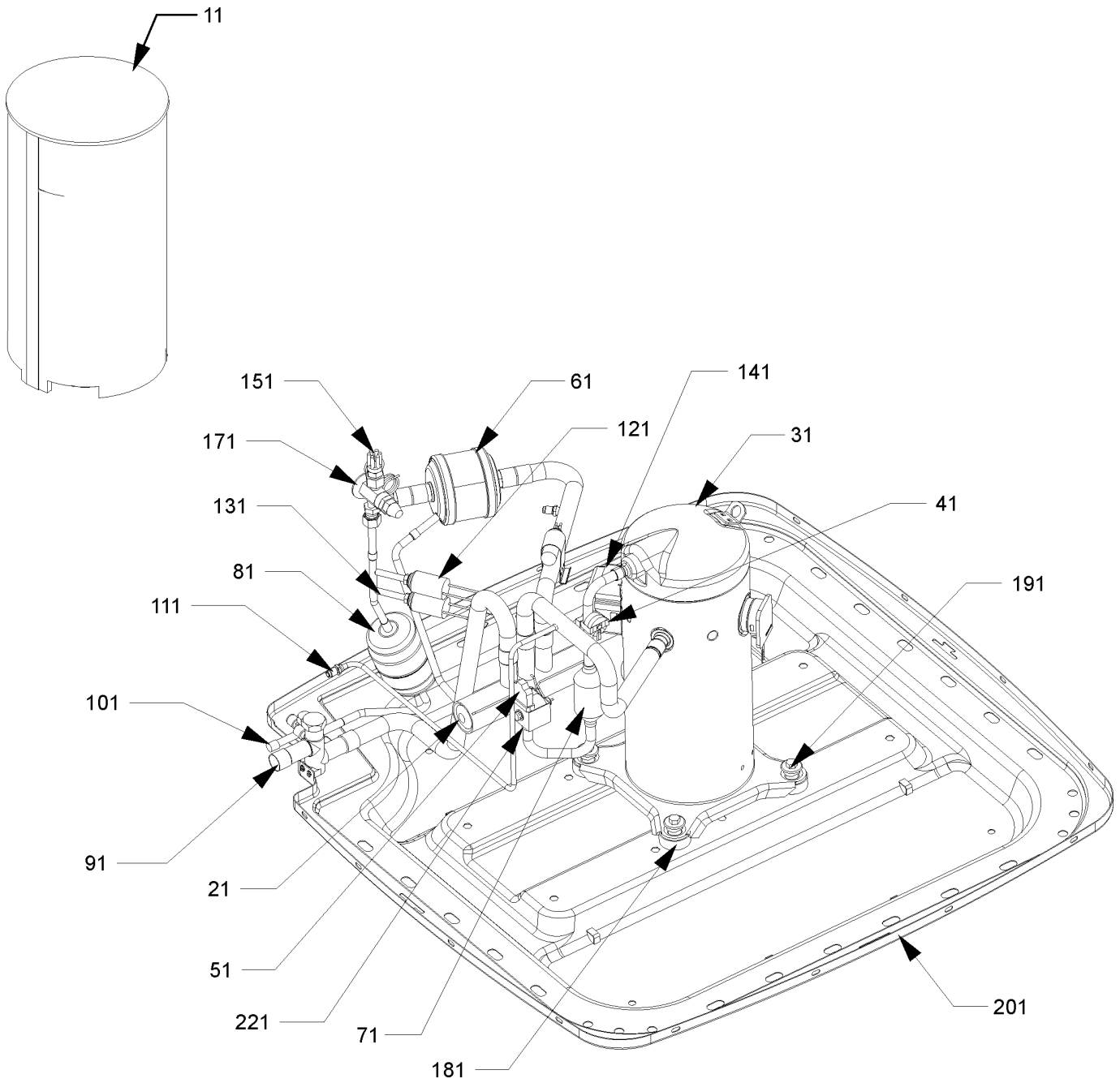
Image 2



Control & Access Panel/Cover/Cond Coil

Ref. Part No:	No:	Description:	Ref. Part No:	No:	Description:
<i>Image 1:</i>			Expanded Model Nomenclature		
11	4400209PDG	LOWER ACCESS PANEL	M1	-	ASZ160241AA
21	0121R00054PDG	CONTROL COVER	M2	-	ASZ160241AB
71	CONT2P025024VS	CONTACTOR 25 AMP, 2P, 24V (M1, M2, M3, M4, M5, M6)	M3	-	ASZ160241AC
71	CONT2P030024VS	CONTACTOR 30 AMP, 2P, 24V (M7, M8, M9, M10, M11, M12, M13, M14, M15, M16, M17, M18)	M4	-	ASZ160241AD
71	CONT2P040024VS	CONTACTOR 40 AMP, 2P, 24V (M19, M20, M21, M22, M23, M24)	M5	-	ASZ160241AE
81	CAP050350440RSS	CAPACITOR 5/35/440V (M1, M2, M3, M4, M5, M6)	M6	-	ASZ160241AF
81	CAP050400440RTS	CAPACITOR 5/40/440V (M7, M8, M9, M10, M11, M12)	M7	-	ASZ160361AA
81	CAP050450440RTS	CAPACITOR 5/45/440V (M13, M14, M15, M16, M17, M18)	M8	-	ASZ160361AB
81	CAP050800440RTS	CAPACITOR 5/80/440V (M19, M20, M21, M22, M23, M24)	M9	-	ASZ160361AC
91	4400065	CAPACITOR STRAP	M10	-	ASZ160361AD
101	543003302	MODULE, COMFORT ALERT	M11	-	ASZ160361AE
131	PCBDM130	DEFROST CONTROL BOARD	M12	-	ASZ160361AF
191	10135604	RELAY	M13	-	ASZ160481AA
<i>Image 2:</i>			M14	-	ASZ160481AB
142	0201R00074S	TUBING ASSY, COND COIL (M1, M2, M3, M4, M5, M6)	M15	-	ASZ160481AC
142	0201R00075S	TUBING ASSY, COND COIL (M7, M8, M9, M10, M11, M12)	M16	-	ASZ160481AD
142	0201R00076S	TUBING ASSY, COND COIL (M13, M14, M15, M19, M20, M21)	M17	-	ASZ160481AE
142	0201R00147S	TUBING ASSY, COND COIL (M16, M17, M18, M22, M23, M24)	M18	-	ASZ160481AF
152	B1370803	DEFROST THERMOSTAT	M19	-	ASZ160601AA
			M20	-	ASZ160601AB
			M21	-	ASZ160601AC
			M22	-	ASZ160601AD
			M23	-	ASZ160601AE
			M24	-	ASZ160601AF

Basepan / Compressor / Tubing Assembly



Basepan / Compressor / Tubing Assembly

Ref. Part No:	No:	Description:	Ref. Part No:	No:	Description:																								
<i>Image 1:</i>			<i>Image 1:</i>																										
11	B1488806S	COMPRESSOR SOUND BLANKET	221	B1225022S	SOLENOID COIL																								
21	0151M00018S	REVERSING VALVE (M5, M6)	Expanded Model Nomenclature																										
21	0151M00019S	REVERSING VALVE (M1, M2, M3, M4)	<table border="1"> <tr><td>M1 - ASZ160241AA</td></tr> <tr><td>M2 - ASZ160241AB</td></tr> <tr><td>M3 - ASZ160241AC</td></tr> <tr><td>M4 - ASZ160241AD</td></tr> <tr><td>M5 - ASZ160241AE</td></tr> <tr><td>M6 - ASZ160241AF</td></tr> <tr><td>M7 - ASZ160361AA</td></tr> <tr><td>M8 - ASZ160361AB</td></tr> <tr><td>M9 - ASZ160361AC</td></tr> <tr><td>M10 - ASZ160361AD</td></tr> <tr><td>M11 - ASZ160361AE</td></tr> <tr><td>M12 - ASZ160361AF</td></tr> <tr><td>M13 - ASZ160481AA</td></tr> <tr><td>M14 - ASZ160481AB</td></tr> <tr><td>M15 - ASZ160481AC</td></tr> <tr><td>M16 - ASZ160481AD</td></tr> <tr><td>M17 - ASZ160481AE</td></tr> <tr><td>M18 - ASZ160481AF</td></tr> <tr><td>M19 - ASZ160601AA</td></tr> <tr><td>M20 - ASZ160601AB</td></tr> <tr><td>M21 - ASZ160601AC</td></tr> <tr><td>M22 - ASZ160601AD</td></tr> <tr><td>M23 - ASZ160601AE</td></tr> <tr><td>M24 - ASZ160601AF</td></tr> </table>			M1 - ASZ160241AA	M2 - ASZ160241AB	M3 - ASZ160241AC	M4 - ASZ160241AD	M5 - ASZ160241AE	M6 - ASZ160241AF	M7 - ASZ160361AA	M8 - ASZ160361AB	M9 - ASZ160361AC	M10 - ASZ160361AD	M11 - ASZ160361AE	M12 - ASZ160361AF	M13 - ASZ160481AA	M14 - ASZ160481AB	M15 - ASZ160481AC	M16 - ASZ160481AD	M17 - ASZ160481AE	M18 - ASZ160481AF	M19 - ASZ160601AA	M20 - ASZ160601AB	M21 - ASZ160601AC	M22 - ASZ160601AD	M23 - ASZ160601AE	M24 - ASZ160601AF
M1 - ASZ160241AA																													
M2 - ASZ160241AB																													
M3 - ASZ160241AC																													
M4 - ASZ160241AD																													
M5 - ASZ160241AE																													
M6 - ASZ160241AF																													
M7 - ASZ160361AA																													
M8 - ASZ160361AB																													
M9 - ASZ160361AC																													
M10 - ASZ160361AD																													
M11 - ASZ160361AE																													
M12 - ASZ160361AF																													
M13 - ASZ160481AA																													
M14 - ASZ160481AB																													
M15 - ASZ160481AC																													
M16 - ASZ160481AD																													
M17 - ASZ160481AE																													
M18 - ASZ160481AF																													
M19 - ASZ160601AA																													
M20 - ASZ160601AB																													
M21 - ASZ160601AC																													
M22 - ASZ160601AD																													
M23 - ASZ160601AE																													
M24 - ASZ160601AF																													
21	0151M00021S	REVERSING VALVE (M7, M8, M9, M10, M11, M12, M13, M14, M15, M16, M17, M18, M19, M20, M21, M22, M23, M24)																											
31	ZPS20K4EPFV930	COMPRESSOR 20000, 208/230/60/1/2STG (M1, M2, M3, M4, M5, M6)																											
31	ZPS30K4EPFV930	COMPRESSOR 30000, 208/230/60/1/2STG (M7, M8, M9, M10, M11, M12)																											
31	ZPS40K4EPFV930	COMPRESSOR 40000, 208/230/60/1/2STG (M13, M14, M15, M16, M17, M18)																											
31	ZPS51K4EPFV930	COMPRESSOR 52000, 208/230/60/1/2STG (M19, M20, M21, M22, M23, M24)																											
41	11046711	THERMOSTAT DISC																											
51	B1225020	SOLENOID COIL CORD W/1/4"TERMINAL (M1, M2, M3, M4, M5, M7, M8, M9, M10, M11, M13, M14, M15, M16, M17, M19, M20, M21, M22, M23)																											
51	0130M00083	SOLENOID HARNESS W/1/4" TERM (M6, M12, M18, M24)																											
61	20270812	COMPENSATOR (M16, M17, M18, M22, M23, M24)																											
61	0151R00005	COMPENSATOR 16 OZ (M7, M8, M9, M10, M11, M12, M13, M14, M15, M19, M20, M21)																											
61	0151R00006	COMPENSATOR 3.5 (M1, M2, M3, M4, M5, M6)																											
71	0162R00007	MUFFLER 1/2 X 1/2 (M4, M5, M6, M11, M12, M17, M18, M23, M24)																											
71	B1219301	MUFFLER 1/2 X 1/2 (M10, M16, M22)																											
81	20485201	BI-FLOW FILTER DRIER																											
91	0151R00002P	3/4" SERVICE VALVE OPEN LEFT (M1, M2, M3, M4, M5, M6)																											
91	0151R00003P	7/8" SERVICE VALVE OPEN LEFT (M7, M8, M9, M10, M11, M12, M13, M14, M15, M16, M17, M18, M19, M20, M21, M22, M23, M24)																											
101	B12825171	3/8" SERVICE VALVE																											
111	B1787000	VALVE CORE																											
121	20322603	CUT-OUT SWITCH, HIGH PRESSURE																											
131	0130R00000S	LOW PRESSURE SWITCH																											
141	0130M00005P	WIRE HARNESS, COMPRESSOR SOLENOID																											
151	0162M00027S	FLOWRATOR .188 (M7, M8, M9, M10, M11, M12, M13, M14, M15, M16, M17, M18, M19, M20, M21, M22, M23, M24)																											
151	0162M00045	FLOWRATOR .188 (M1, M2, M3, M4, M5, M6)																											
171	0151M00002	TXV VALVE (M7, M8, M9, M10, M11, M12)																											
171	0151M00004	TXV VALVE (M1, M2, M3, M4, M5, M6)																											
171	0151M00010S	TXV VALVE (M16, M17, M18, M22, M23, M24)																											
171	0151R00009	TXV VALVE (M13, M14, M15, M19, M20, M21)																											
181	B1339533	COMPRESSOR GROMMET (QTY 4)																											
191	M0221641	TF SHOULDER SCREW (QTY 4)																											
201	0121R00006PDG	BASE PAN 29" (M1, M2, M3, M4, M5, M6)																											
201	0121R00007PDG	BASE PAN 35" (M7, M8, M9, M10, M11, M12, M13, M14, M15, M16, M17, M18, M19, M20, M21, M22, M23, M24)																											

THIS PAGE INTENTIONALLY LEFT BLANK