

ASZ16 Remote Heat Pump

ASZ160241LC
ASZ160301LC
ASZ160421LB
ASZ160601LB



Amana[®] is a registered trademark of Maytag Corporation or its related companies and is used under license. All rights reserved.

This manual is to be used by qualified technicians only.

This manual replaces RP-A4321A.

© 2018 - 2019 Goodman Company, L.P. ♦ 5151 San Felipe St, Suite 500 ♦ Houston, TX 77056

Important Information

Index

Functional Parts List	3
Illustration and Parts	4 - 9

Views shown are for parts illustrations only, not servicing procedures

Text Codes:

AR - As Required

NA - Not Available

NS - Not Shown

00000000 - See Note

QTY - Quantity Example (QTY 3) (If Quantity not shown, Quantity = 1)

M - Model Example (M1) (If M Code not shown, then part is used on all Models)

Expanded Model Nomenclature:

Example M1 - Model#1 M2 - Model#2 M3 - Model#3

Goodman Company, L.P. is not responsible for personal injury or property damage resulting from improper service. Review all service information before beginning repairs.

Warranty service must be performed by an authorized technician, using authorized factory parts. If service is required after the warranty expires, Goodman Company, L.P. also recommends contacting an authorized technician and using authorized factory parts.

Goodman Company, L.P. reserves the right to discontinue, or change at any time, specifications or designs without notice or without incurring obligations.

For assistance within the U.S.A. contact:

Homeowner Support
Goodman Company, L.P.
19001 Kermier Road
Waller, Texas 77484
877-254-4729-Telephone
713-863-2382-Facsimile

For assistance outside the U.S.A. contact:

International Division
Goodman Company, L.P.
19001 Kermier Road
Waller, Texas 77484
713-861-2500-Telephone
713-863-2382-Facsimile

Functional Parts

Part

No: Description:

0151R00195	ADJUSTABLE VALVE, TXV R410A (M4)
0151R00193	ADJUSTABLE VALVE, TXV R410A (M3)
0151R00192	ADJUSTABLE VALVE, TXV R410A (M2)
0151R00190	ADJUSTABLE VALVE, TXV R410A (M1)
0151R00079	BASE VALVE 3/4" (M1, M2)
0151R00167	BASE VALVE 3/8"
0151R00080	BASE VALVE 7/8" (M3, M4)
CAP050350440CS	CAP, 5/35 MFD/440V/DUAL RD (M1, M2)
CAP050400440CT	CAP, 5/40 MFD/440V/DUAL RD (M4)
CAP050450440CT	CAP, 5/45 MFD/440V/DUAL RD (M3)
ZP20K6EPFV120	COMP, 27200, 208/230/60/1 (M1)
ZP25K6EPFV120	COMP, 34200, 208/230/60/1 (M2)
ZP34K6EPFV120	COMP, 46500, 208/230/60/1 (M3)
ZPS49K5EPFV130	COMP, 49100,208/230/60/1 (M4)
CONT1P025024V	CONT, 1 POLE, 25 AMP, 24 VAC (M1, M2)
CONT1P030024V	CONT, 1 POLE, 30 AMP, 24 VAC (M3)
CONT2P040024V	CONT, 2 POLE, 40 AMP, 24 VAC (M4)
0130M00250	CONTROL, DEFROST
571006700	CoreSense Module
0130M00106	DISC THERMOSTAT(CRNKCS HTR SW)
0130M00349	DISC-THERMOSTAT (M4)
B1086750	FAN BLADE, 22", 3 BLADE,24 DEG (M3)
0150M00054	FAN BLADE, 26" (M1, M2, M4)
0163R00007	HEATER, CRANKCASE 230V, 40W (M3, M4)
0163R00006	HEATER, CRANKCASE 230V, 40W (M1, M2)
0130R00003	HIGH PRESSURE SWITCH (M1, M2, M3)
0130M00089	HIGH PRESSURE SWITCH (M4)
0130M00088	LOW PRESSURE SWITCH
0131M00813	MOTOR, 1/4HP, 1SP, 6PL (M3)
0131M00866	MOTOR, 1/5 HP, 2SP, 8PL (M4)
0131M00945	MOTOR, 1/6HP, 8PL (M1, M2)
PCBDM133	PCB, DEFROST CONTROL
10135604	RELAY (M4)
0151R00068	REVERSING VALVE (M1, M2)
0151R00071	REVERSING VALVE (M3, M4)
B1225022	SOLENOID COIL

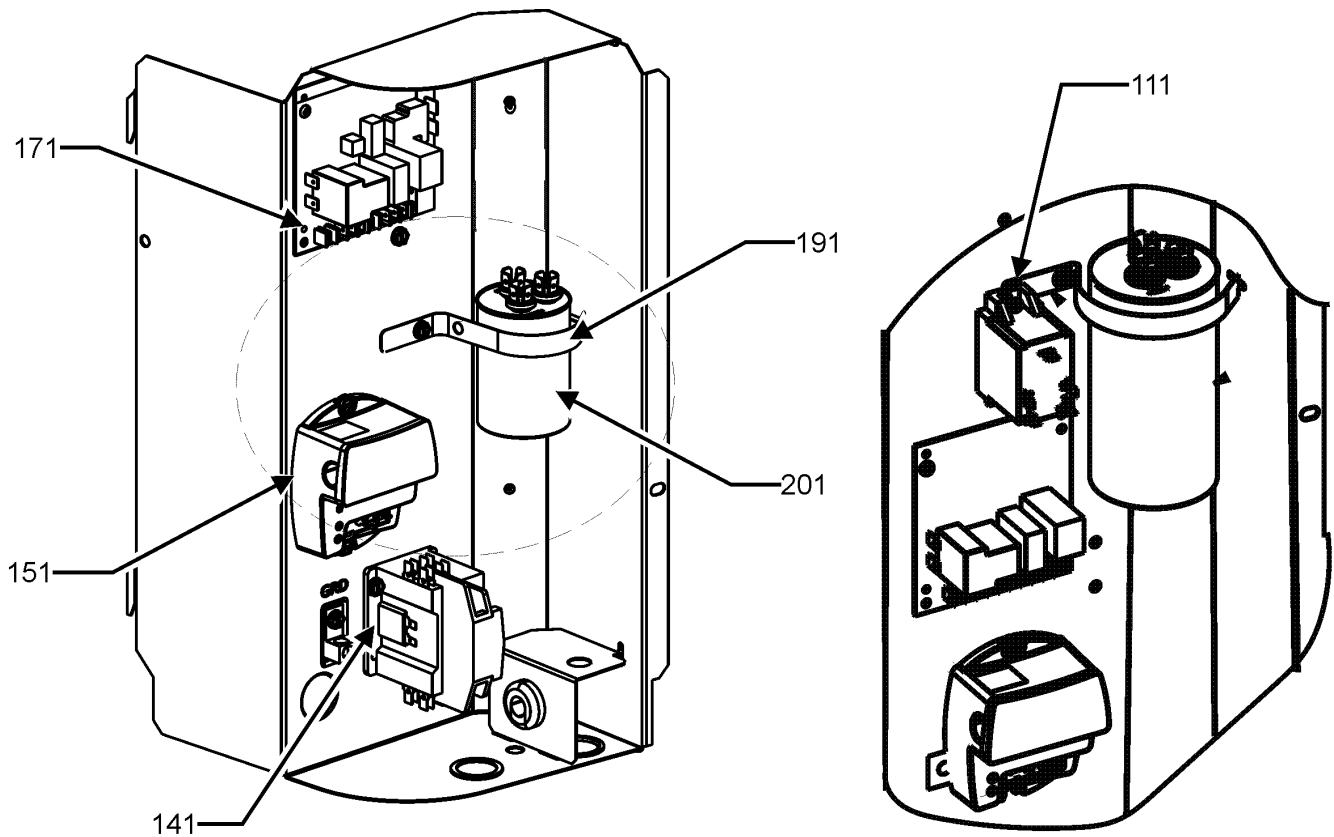
SPECIAL PARTS

0161R00086	CAP, GRILL
0161R00087	NAMEPLATE, AMANA LOGO

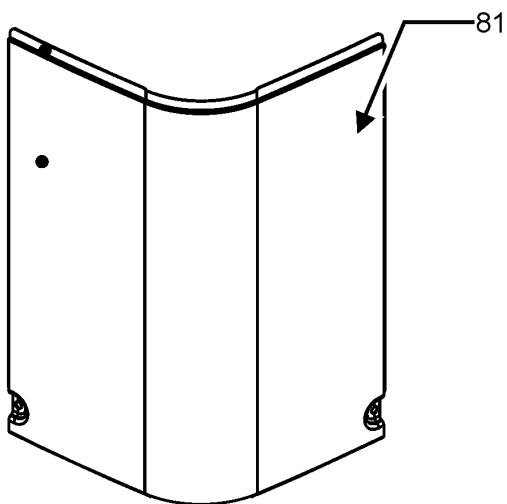
Expanded Model Nomenclature

M1 - ASZ160241LC
M2 - ASZ160301LC
M3 - ASZ160421LB
M4 - ASZ160601LB

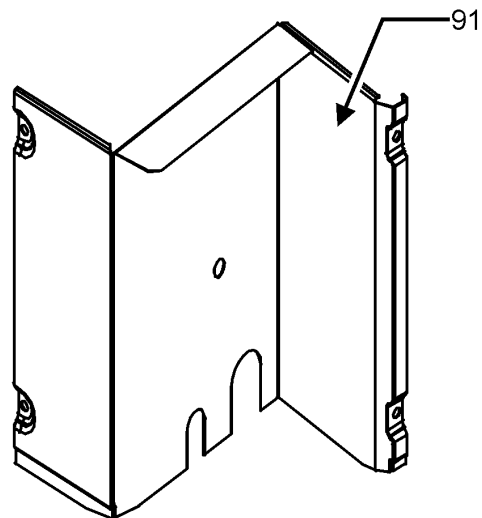
Control Panel Assembly



ALTERNATE CONTROL BOX ASSEMBLY



UPPER ACCESS PANEL



LOWER ACCESS PANEL

Control Panel Assembly

Ref. Part No:	No:	Description:	Ref. Part No:	No:	Description:
---------------	-----	--------------	---------------	-----	--------------

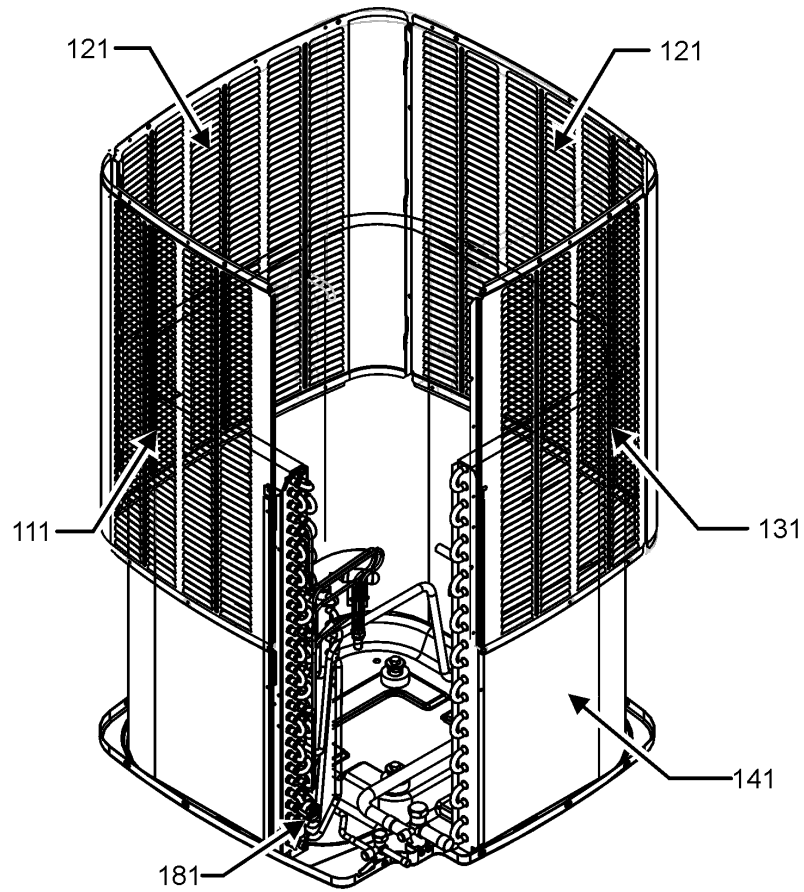
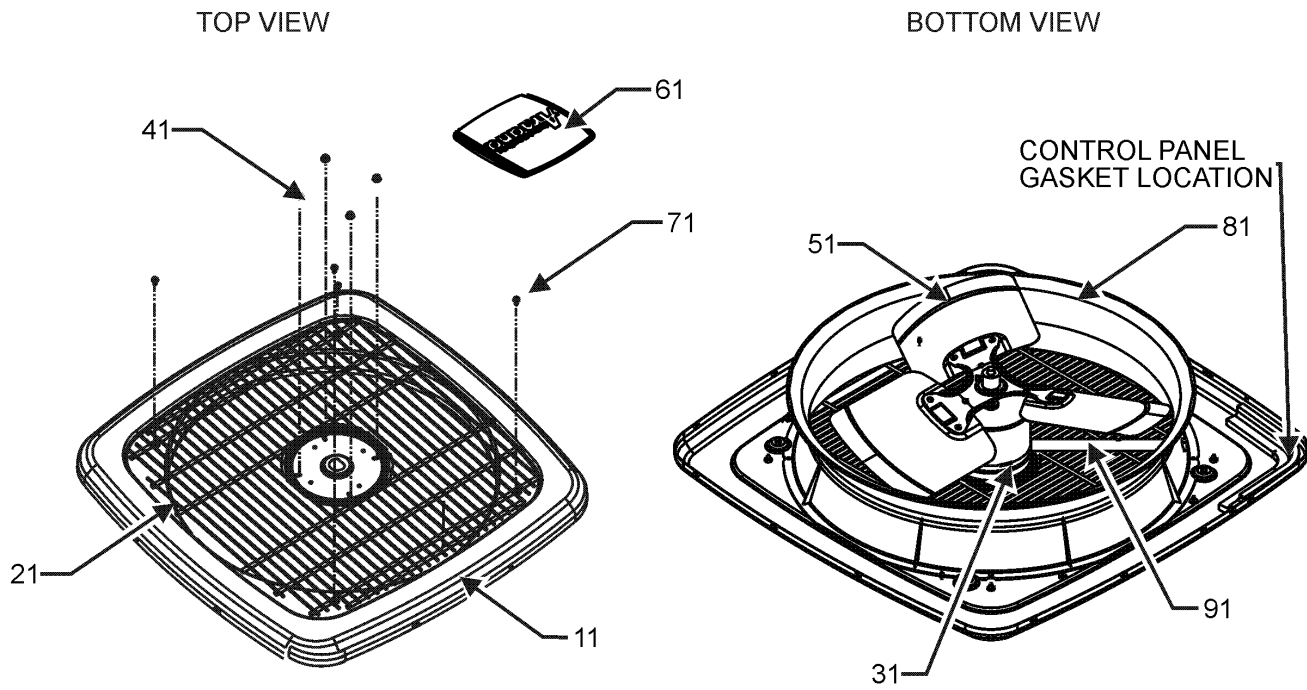
Image 1:

81	0121R00053PDG	CONTROL COVER (M1, M2, M3)
81	0121R00054PDG	CONTROL COVER (M4)
91	0121R00625PDG	PANEL, LOWER ACCESS PNT (M1, M2)
91	0121R00154PDG	PANEL, LOWR ACCESS PNT (M3)
91	0121R00662PDG	PANEL, LOWR ACCESS PNT (M4)
111	10135604	RELAY (M4)
141	CONT1P025024V	CONT, 1 POLE, 25 AMP, 24 VAC (M1, M2)
141	CONT1P030024V	CONT, 1 POLE, 30 AMP, 24 VAC (M3)
141	CONT2P040024V	CONT, 2 POLE, 40 AMP, 24 VAC (M4)
151	571006700	CoreSense Module
171	PCBDM133	PCB, DEFROST CONTROL
191	4400065	CAPACITOR STRAP
201	CAP050350440CS	CAP, 5/35 MFD/440V/DUAL RD (M1, M2)
201	CAP050400440CT	CAP, 5/40 MFD/440V/DUAL RD (M4)
201	CAP050450440CT	CAP, 5/45 MFD/440V/DUAL RD (M3)
NS	0161R00087	NAMEPLATE, AMANA LOGO

Expanded Model Nomenclature

M1 - ASZ160241LC
M2 - ASZ160301LC
M3 - ASZ160421LB
M4 - ASZ160601LB

Top/Side Panel and Condenser Assembly



Top/Side Panel and Condenser Assembly

Ref. Part No:	Part No:	Description:	Ref. Part No:	Part No:	Description:
---------------	----------	--------------	---------------	----------	--------------

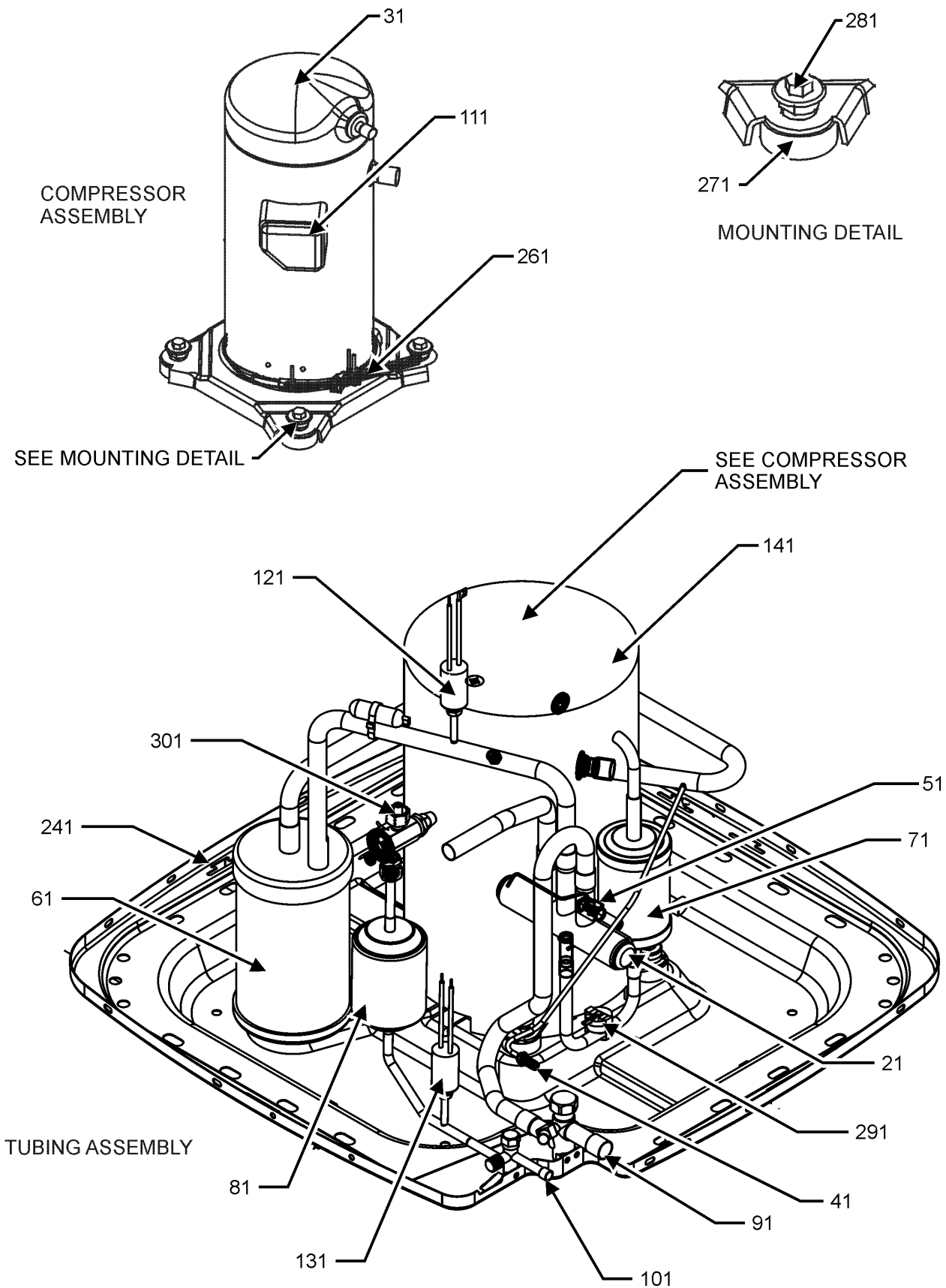
Image 1:

11	0121R00576PDG	TOP PANEL 29" (M3)
11	0121R00577PDG	TOP PANEL 35" (M1, M2, M4)
21	0152R00015	GRILLE, WIRE 29" TOP (M3)
21	0152R00016	GRILLE, WIRE 35" TOP (M1, M2, M4)
31	0131M00813	MOTOR, 1/4HP, 1SP, 6PL (M3)
31	0131M00866	MOTOR, 1/5 HP, 2SP, 8PL (M4)
31	0131M00945	MOTOR, 1/6HP, 8PL (M1, M2)
41	M0280801	HEX NUT (QTY 4)
51	B1086750	FAN BLADE, 22", 3 BLADE, 24 DEG (M3)
51	0150M00054	FAN BLADE, 26" (M1, M2, M4)
61	0161R00086	CAP, GRILL
71	0163M00003P	SCREW #10 X 1/2, A, SLOT, SR, BLACK (QTY 6)
81	0161R00048	MOLDED RING-VENTURI 22 (M3)
81	0161R00049	MOLDED RING-VENTURI 26" (M1, M2, M4)
91	0161R00002P	CONDUIT (M3)
91	0161R00004P	CONDUIT (M1, M2, M4)
111	0121R00589PLGB	PANEL 1, LOUVER 29_36.38 PNT (M3)
111	0121R00598PLGB	PANEL 1, LOUVER 35_34.64 PNT (M1, M2)
111	0121R00601PLGB	PANEL 1, LOUVER 35_39.84 PNT (M4)
121	0121R00590PLGB	PANEL 2, LOUVER 29_36.38 PNT (M3)
121	0121R00599PLGB	PANEL 2, LOUVER 35_34.64 PNT (M1, M2)
121	0121R00514PLGB	PANEL 2, LOUVER 35_39.84 PNT (M4)
131	0121R00591PLG	PANEL 3, LOUVER 29_36.38 PNT (M3)
131	0121R00600PLG	PANEL 3, LOUVER 35_34.64 PNT (M1, M2)
131	0121R00603PLG	PANEL 3, LOUVER 35_39.84 PNT (M4)
141	0201R00632	COIL TUBING ASSY (M3)
141	0201R00634	COIL TUBING ASSY (M4)
141	0201R00664	COIL TUBING ASSY (M1, M2)
181	0130M00250	CONTROL, DEFROST
NS	0154R00006	GASKET, CONTROL PANEL

Expanded Model Nomenclature

- | |
|------------------|
| M1 - ASZ160241LC |
| M2 - ASZ160301LC |
| M3 - ASZ160421LB |
| M4 - ASZ160601LB |

Compressor and Tubing Assembly



Compressor and Tubing Assembly

Ref. Part No: No:	Description:	Ref. Part No: No:	Description:
-------------------	--------------	-------------------	--------------

Image 1:

21	0151R00068	REVERSING VALVE (M1, M2)
21	0151R00071	REVERSING VALVE (M3, M4)
31	ZP20K6EPFV120	COMP, 27200, 208/230/60/1 (M1)
31	ZP25K6EPFV120	COMP, 34200, 208/230/60/1 (M2)
31	ZP34K6EPFV120	COMP, 46500, 208/230/60/1 (M3)
31	ZPS49K5EPFV130	COMP, 49100,208/230/60/1 (M4)
41	0163M00175	CAP WITH O-RING
51	0130M00410	REVERSING VALVE HARNESS
61	0151L00010	ACCUMULATOR (M4)
61	B1226207	ACCUMULATOR (M1, M2, M3)
71	0162R00007	MUFFLER 1/2 X 1/2
81	20485201	BI-FLOW FILTER DRIER
91	0151R00079	BASE VALVE 3/4" (M1, M2)
91	0151R00080	BASE VALVE 7/8" (M3, M4)
101	0151R00167	BASE VALVE 3/8"
111	0159R00009	HARNESS, COMP (M4)
111	0159R00001P	HARNESS, COMP SCROLL 130 42" (M3)
111	0159R00002P	HARNESS, COMP SCROLL 130 46" (M1, M2)
121	0130M00088	LOW PRESSURE SWITCH
131	0130M00089	HIGH PRESSURE SWITCH (M4)
131	0130R00003	HIGH PRESSURE SWITCH (M1, M2, M3)
141	0160M00035	COMPRESSOR BLANKET (M1, M2)
141	0160M00039	COMPRESSOR BLANKET (M3, M4)
241	0121R00006PDG	BASE PAN 29" (M3)
241	0121R00007PDG	BASE PAN 35" (M1, M2, M4)
261	0163R00006	HEATER, CRANKCASE 230V, 40W (M1, M2)
261	0163R00007	HEATER, CRANKCASE 230V, 40W (M3, M4)
271	B1339533	COMPRESSOR GROMMET (QTY 4)
281	M0221641	TF SHOULDER SCREW (QTY 4)
291	0130M00106	DISC THERMOSTAT(CRNKCS HTR SW)
301	0151R00190	ADJUSTABLE VALVE, TXV R410A (M1)
301	0151R00192	ADJUSTABLE VALVE, TXV R410A (M2)
301	0151R00193	ADJUSTABLE VALVE, TXV R410A (M3)
301	0151R00195	ADJUSTABLE VALVE, TXV R410A (M4)
NS	20468101	COMPR SOL CABLE (M4)
NS	0130M00349	DISC-THERMOSTAT (M4)
NS	B1225022	SOLENOID COIL
NS	B1787000	VALVE CORE

Expanded Model Nomenclature

- | |
|------------------|
| M1 - ASZ160241LC |
| M2 - ASZ160301LC |
| M3 - ASZ160421LB |
| M4 - ASZ160601LB |