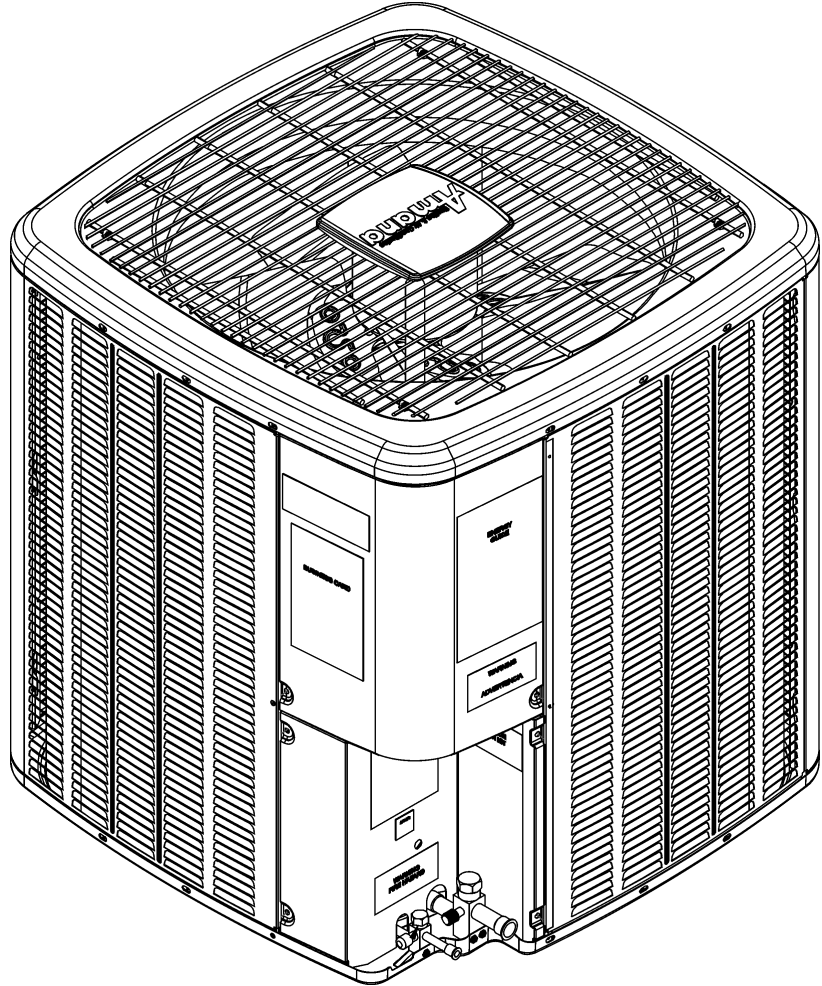


## ASZ16 Remote Heat Pump

ASZ160361LB

ASZ160481LB



Amana® is a registered trademark of Maytag Corporation or its related companies and is used under license. All rights reserved.

This manual is to be used by qualified technicians only.

© 2016 Goodman Company, L.P. ♦ 5151 San Felipe St, Suite 500 ♦ Houston, TX 77056

# Important Information

---

## Index

Functional Parts List .....	3
Illustration and Parts .....	4 - 9

*Views shown are for parts illustrations only, not servicing procedures*

### Text Codes:

AR - As Required

NA - Not Available

NS - Not Shown

00000000 - See Note

QTY - Quantity Example (QTY 3) (If Quantity not shown, Quantity = 1)

M - Model Example (M1) (If M Code not shown, then part is used on all Models)

### Expanded Model Nomenclature:

Example M1 - Model#1 M2 - Model#2 M3 - Model#3
---

Goodman Company, L.P. is not responsible for personal injury or property damage resulting from improper service. Review all service information before beginning repairs.

Warranty service must be performed by an authorized technician, using authorized factory parts. If service is required after the warranty expires, Goodman Company, L.P. also recommends contacting an authorized technician and using authorized factory parts.

Goodman Company, L.P. reserves the right to discontinue, or change at any time, specifications or designs without notice or without incurring obligations.

For assistance within the U.S.A. contact:

Homeowner Support  
Goodman Company, L.P.  
19001 Kermier Road  
Waller, Texas 77484  
877-254-4729-Telephone  
713-863-2382-Facsimile

For assistance outside the U.S.A. contact:

International Division  
Goodman Company, L.P.  
19001 Kermier Road  
Waller, Texas 77484  
713-861-2500-Telephone  
713-863-2382-Facsimile

# Functional Parts

## Part

## No: Description:

---

0151R00078	BASE VALVE 3/8"
0151R00080	BASE VALVE 7/8"
CAP050450440CT	CAPACITOR 5/45/440V/DUAL RD
ZP29K6EPFV130	COMP, 29,000,208/230/60/1 (M1)
ZP39K5EPFV130	COMPRESSOR 39000, 208/230/60/1 (M2)
CONT1P025024V	CONTACTOR 25 AMP, 1P, 24V (M1)
CONT1P030024V	CONTACTOR 30 AMP, 1P, 24V (M2)
0130M00250	CONTROL, DEFROST
571006700	CORE SENSE MODULE
0130R00003	CUT-OUT SWITCH, HIGH PRESSURE
0130M00088	CUT-OUT SWITCH, LOW PRESSURE
PCBDM133	DEFROST CONTROL BOARD
0130M00106	DISC THERMOSTAT(CRNKCS HTR SW)
0163R00007	HEATER, CRANKCASE 230V, 40W (M2)
0163R00006	HEATER, CRANKCASE 230V, 40W (M1)
0131M00807	MOTOR, 1/4HP,1SP,8PL,AL
0151R00071	REVERSING VALVE
B1225022	SOLENOID COIL
0151R00123	VALVE, TXV R-410A (M1)
0151R00126	VALVE, TXV R-410A (M2)

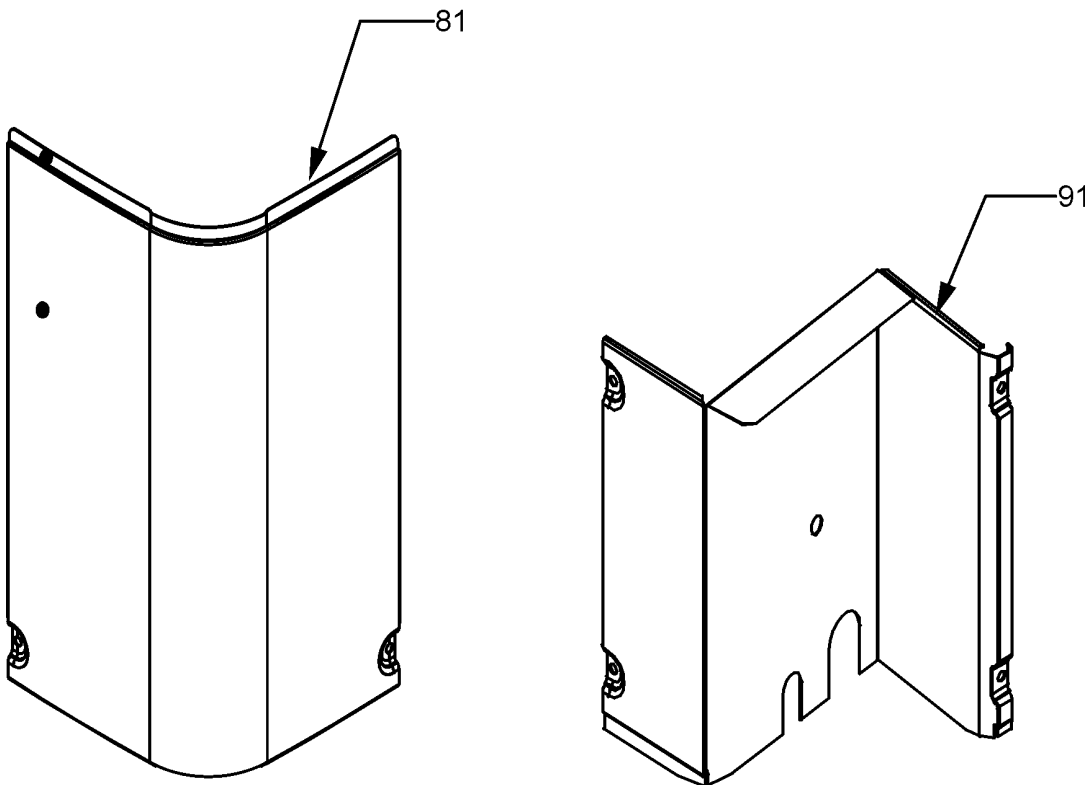
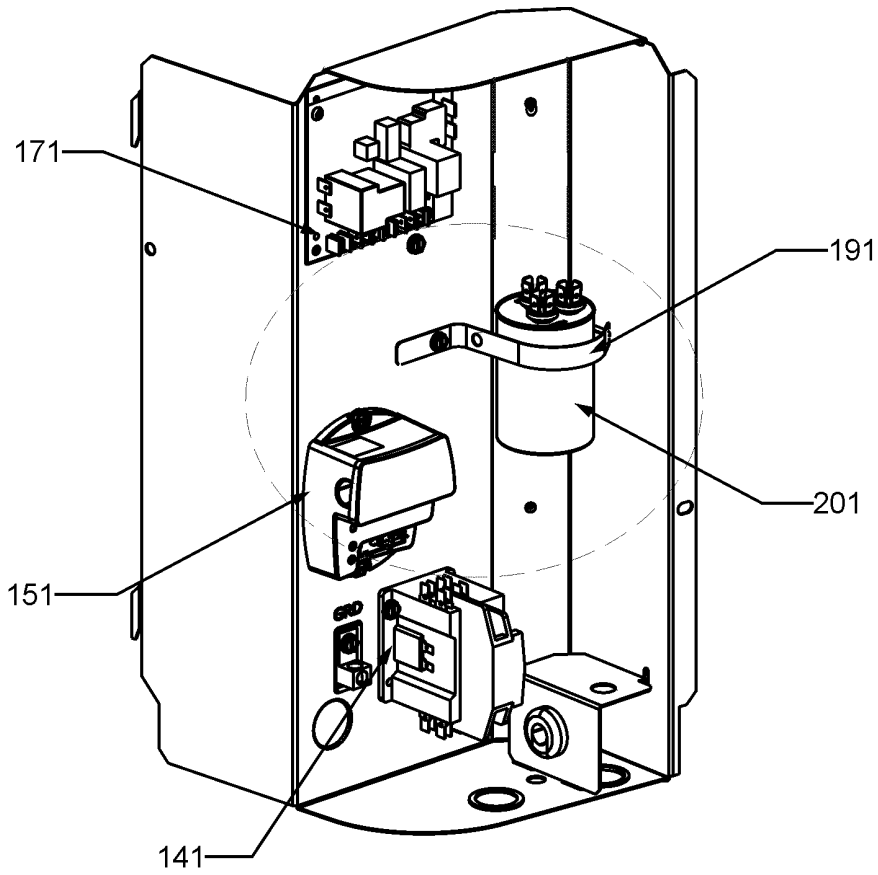
### SPECIAL PARTS

0161R00008P	AMANA LOGO CAP
0161R00010P	AMANA NAMEPLATE

### Expanded Model Nomenclature

M1 - ASZ160361LB
M2 - ASZ160481LB

# Control Panel Assembly



# Control Panel Assembly

Ref. Part No:	No:	Description:	Ref. Part No:	No:	Description:
---------------	-----	--------------	---------------	-----	--------------

---

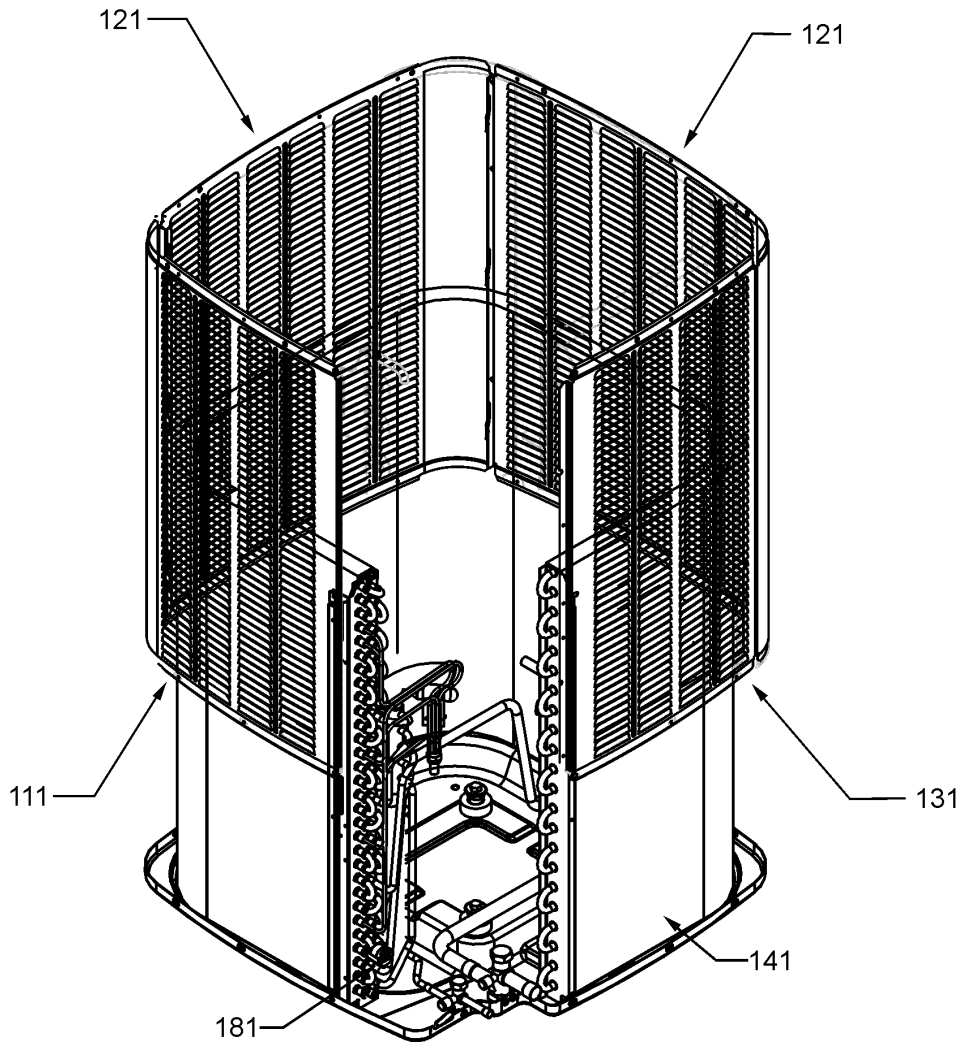
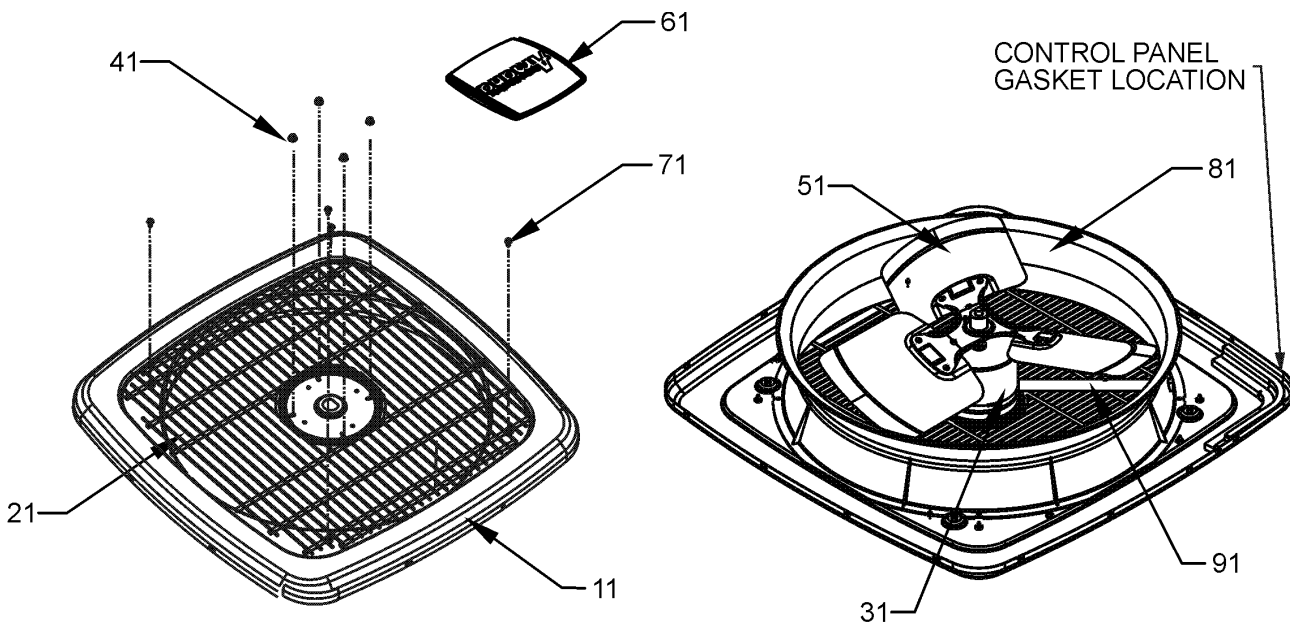
**Image 1:**

81	0121R00053PDG	CONTROL COVER
91	0121R00328PDG	PANEL, LOWER ACCESS PNT (M1)
91	0121R00625PDG	PANEL, LOWER ACCESS PNT (M2)
141	CONT1P025024V	CONTACTOR 25 AMP, 1P, 24V (M1)
141	CONT1P030024V	CONTACTOR 30 AMP, 1P, 24V (M2)
151	571006700	CORE SENSE MODULE
171	PCBDM133	DEFROST CONTROL BOARD
191	4400065	CAPACITOR STRAP
201	CAP050450440CT	CAPACITOR 5/45/440V/DUAL RD
NS	0161R00010P	AMANA NAMEPLATE

**Expanded Model Nomenclature**

M1 - ASZ160361LB
M2 - ASZ160481LB

# Top Panel / Side Panel Assembly



# Top Panel / Side Panel Assembly

Ref. Part No: No:	Description:	Ref. Part No: No:	Description:
-------------------	--------------	-------------------	--------------

---

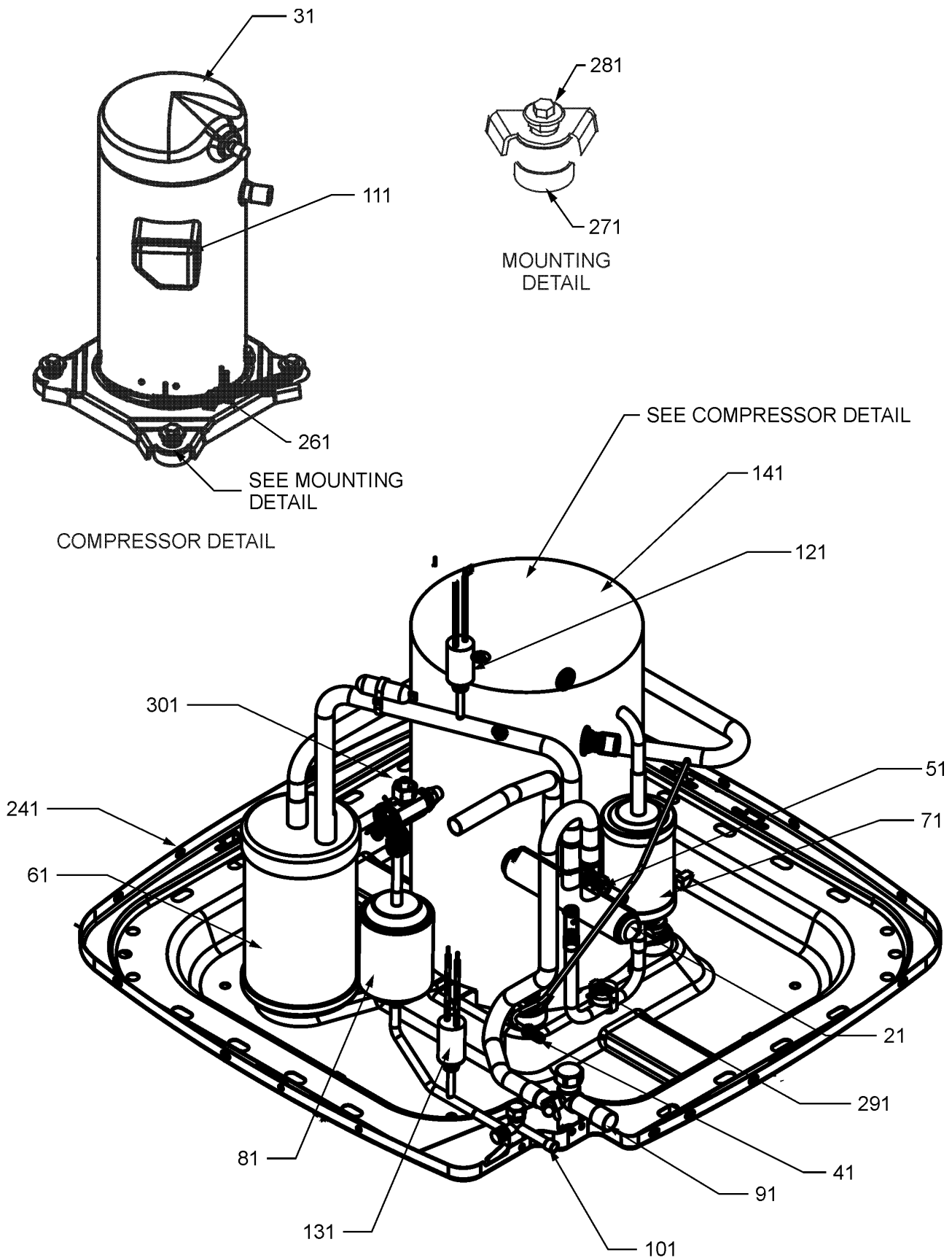
**Image 1:**

11	0121R00577PDG	TOP PANEL 35"
21	0152R00016	GRILLE, WIRE 35" TOP
31	0131M00807	MOTOR, 1/4HP,1SP,8PL,AL
41	M0280801	HEX NUT (QTY 4)
51	10625738	FAN BLADE 26" ALUM CCW
61	0161R00008P	AMANA LOGO CAP
71	0163M00003P	SCREW #10 X 1/2, A, SLOT, SR, BLACK (QTY 8)
81	0161R00049	MOLDED RING-VENTURI 26"
91	0161R00004P	CONDUIT
111	0121R00598PLGB	LOUVERED SIDE PANEL [LT OF CNTL PNL] (M2)
111	0121R00601PLGB	PANEL 1, BENT LOUVER 35_39.84 (M1)
121	0121R00599PLGB	LOUVERED SIDE PANEL (M2)
121	0121R00514PLGB	PANEL 2, BENT LOUVER 35_39.84 (M1)
131	0121R00600PLG	LOUVERED SIDE PANEL [RT OF CNTL PNL] (M2)
131	0121R00603PLG	PANEL 3, LOUVER 35_39.84 PNT (M1)
141	0201R00631	COIL TUBING ASSY (M1)
141	0201R00633	COIL TUBING ASSY (M2)
181	0130M00250	CONTROL, DEFROST
NS	0154R00006	GASKET, CONTROL PANEL

**Expanded Model Nomenclature**

M1 - ASZ160361LB
M2 - ASZ160481LB

# Compressor / Tubing Assembly



# Compressor / Tubing Assembly

Ref. Part No: No:	Description:	Ref. Part No: No:	Description:
-------------------	--------------	-------------------	--------------

**Image 1:**

21	0151R00071	REVERSING VALVE
31	ZP29K6EPFV130	COMP, 29,000,208/230/60/1 (M1)
31	ZP39K5EPFV130	COMPRESSOR 39000, 208/230/60/1 (M2)
41	0163M00175	CAP WITH O-RING
51	0130M00083	REVERSING VALVE HARNESS
61	B1226207	ACCUMULATOR .875
71	0162R00007	MUFFLER 1/2 X 1/2
81	20485201	BI-FLOW FILTER DRIER
91	0151R00080	BASE VALVE 7/8"
101	0151R00078	BASE VALVE 3/8"
111	0159R00002P	COMPRESSOR SCROLL HARNESS
121	0130M00088	CUT-OUT SWITCH, LOW PRESSURE
131	0130R00003	CUT-OUT SWITCH, HIGH PRESSURE
141	B1488807	COMPRESSOR SOUND BLANKET (M2)
141	B1488810	COMPRESSOR SOUND BLANKET (M1)
241	0121R00007PDG	BASE PAN 35"
261	0163R00006	HEATER, CRANKCASE 230V, 40W (M1)
261	0163R00007	HEATER, CRANKCASE 230V, 40W (M2)
271	B1339533	COMPRESSOR GROMMET (QTY 4)
281	M0221641	TF SHOULDER SCREW (QTY 4)
291	0130M00106	DISC THERMOSTAT(CRANKCS HTR SW)
301	0151R00123	VALVE, TXV R-410A (M1)
301	0151R00126	VALVE, TXV R-410A (M2)
NS	B1225022	SOLENOID COIL
NS	B1787000	VALVE CORE

**Expanded Model Nomenclature**

M1 - ASZ160361LB
M2 - ASZ160481LB