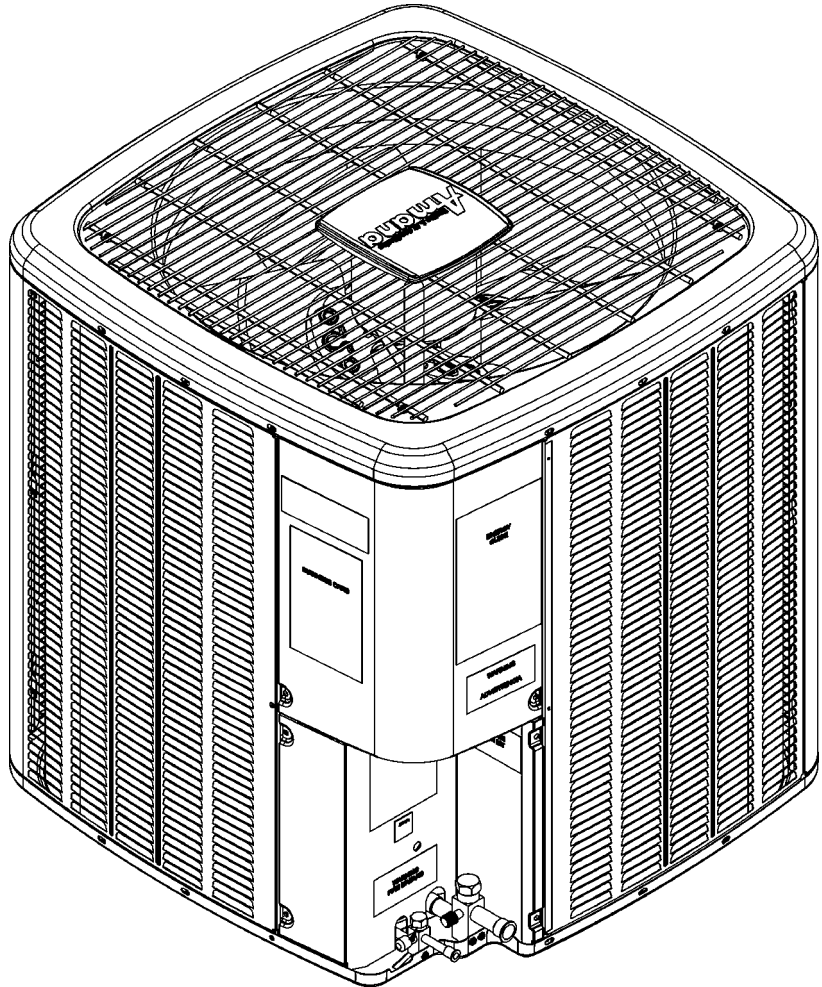


REPAIR PARTS

ASZ14 SEER R410A Remote Heat Pump

ASZ140181AE
ASZ140181AF
ASZ140181AG
ASZ140181AH
ASZ140241AF
ASZ140241AG
ASZ140241AH
ASZ140241AJ
ASZ140301AF
ASZ140301AG
ASZ140301AH
ASZ140361AF
ASZ140361AG
ASZ140361BA
ASZ140421AD
ASZ140421AE
ASZ140421AF
ASZ140421AG
ASZ140481AD
ASZ140481AE
ASZ140481AF
ASZ140481AG
ASZ140601AD
ASZ140601AE
ASZ140601AF
ASZ140601AG



This manual is to be used by qualified technicians only.

This manual replaces RP-545C.

© 2009,2012 Goodman Manufacturing Company, L.P. ♦ 5151 San Felipe, Suite 500 ♦ Houston, TX 77056

Important Information

Index

Functional Parts List	3
Illustration and Parts	4 - 7

Views shown are for parts illustrations only, not servicing procedures.

Text Codes:

AR - As Required

NA - Not Available

NS - Not Shown

00000000 - See Note

QTY - Quantity Example (QTY 3) (If Quantity not shown, Quantity = 1)

M - Model Example (M1) (If M Code not shown, then part is used on all Models)

Expanded Model Nomenclature:

Example M1 - Model#1 M2 - Model#2 M3 - Model#3

Goodman Manufacturing Company, L.P. is not responsible for personal injury or property damage resulting from improper service. Review all service information before beginning repairs.

Warranty service must be performed by an authorized technician, using authorized factory parts. If service is required after the warranty expires, Goodman Manufacturing Company, L.P. also recommends contacting an authorized technician and using authorized factory parts.

Goodman Manufacturing Company, L.P. reserves the right to discontinue, or change at any time, specifications or designs without notice or without incurring obligations.

For assistance within the U.S.A. contact:
Consumer Affairs Department
Goodman Manufacturing Company, L.P.
7401 Security Way
Houston, Texas 77040
877-254-4729-Telephone
713-863-2382-Facsimile

For assistance outside the U.S.A. contact:
International Division
Goodman Manufacturing Company, L.P.
7401 Security Way
Houston, Texas 77040
713-861-2500-Telephone
713-863-2382-Facsimile

Functional Parts

Part

No: Description:

0151R00002P	3/4" SERVICE VALVE OPEN LEFT (M1, M2, M3, M4, M5, M6, M7, M8, M9, M10, M11, M14)	0163R00006	HEATER, CRANKCASE 230V, 40W (M3, M4, M7, M8, M10, M11, M13, M14)
B12825171	3/8" SERVICE VALVE	0130M00089	HIGH PRESSURE SWITCH (M4, M8, M11, M18, M22, M26)
0151R00003P	7/8" SERVICE VALVE OPEN LEFT (M12, M13, M15, M16, M17, M18, M19, M20, M21, M22, M23, M24, M25, M26)	20322603	HIGH PRESSURE SWITCH (M5, M6, M9, M12, M15, M16, M19, M20, M23, M24)
CAP050400440RT	CAP, 5/40 MFD/440V/DUAL RD (M5, M6, M7, M8, M9, M10, M11)	0130M00089	HIGH PRESSURE SWITCH (M1, M2, M3, M7, M10, M13, M14, M17, M21, M25)
CAP050450440RT	CAP, 5/45 MFD/440V/DUAL RD (M12, M13, M14, M15, M16, M17, M18, M19, M20, M21, M22)	0130M00011P	LOW AMBIENT THERMOSTAT, SPDT
CAP050300440RS	CAPACITOR 5/30/370V (M1, M2, M3, M4)	0130M00088	LOW PRESSURE SWITCH (M4, M8, M11, M14, M18, M22, M26)
CAP050700440RT	CAPACITOR 5/70 MFD/440V/DUAL RD (M23, M24, M25, M26)	0130M00088	LOW PRESSURE SWITCH (M1, M2, M3, M7, M10, M13, M17, M21, M25)
ZP16K5EPFV130	COMP, 15500, 208/230/60/1 (M1, M2, M3, M4)	0130R00001	LOW PRESSURE SWITCH (M5, M6, M9, M12, M15, M16, M19, M20, M23, M24)
ZP29K5EPFV130	COMP, 29000, 208/230/60/1 (M14)	10135604	RELAY
ZP34K5EPFV130	COMP, 34500, 208/230/60/1 (M15, M16, M17, M18)		
ZP21K5EPFV130	COMPRESSOR 21300, 208/230/60/1 (M5, M6, M7, M8)		
ZP25K5EPFV130	COMPRESSOR 25200, 208/230/60/1 (M9, M10, M11)		
ZP31K5EPFV130	COMPRESSOR 31100, 208/230/60/1 (M12, M13)		
ZP39K5EPFV130	COMPRESSOR 39000, 208/230/60/1 (M19, M20, M21, M22)		
ZP51K5EPFV130	COMPRESSOR 51000, 208/230/60/1 (M23, M24, M25, M26)		
0131M00027	COND MOTOR 1/12 HP, 2 SP, 8 PL (M1, M2, M3, M4)		
0131M00015P	COND MOTOR 1/4 HP, 2 SP, 8 PL (M12, M13, M14, M15, M16, M17, M18, M19, M20, M21, M22, M23, M24, M25, M26)		
0131M00013P	COND MOTOR 1/6 HP, 2 SP, 8 PL (M9, M10, M11)		
0131M00017P	COND MOTOR 1/6 HP, 2 SP, 8 PL (M5, M6, M7, M8)		
CONT1P025024V	CONTACTOR 25 AMP, 1P, 24V (M1, M2, M3, M4, M5, M6, M7, M8, M9, M10, M11, M12, M13, M14, M15, M16, M17, M18)		
CONT1P030024V	CONTACTOR 30 AMP, 1P, 24V (M19, M20, M21, M22, M23, M24, M25, M26)		
0130R00045	CRANKCASE HEATER SWITCH (M3, M4, M7, M8, M10, M11, M13, M14, M17, M18, M21, M22, M25, M26)		
0130M00105	DEFROST CONTROL		
PCBDM130	DEFROST CONTROL BOARD (M5, M6, M9, M12, M15, M16, M19, M20, M23, M24)		
PCBDM160	DEFROST CONTROL BOARD (M1, M2, M3, M4, M7, M8, M10, M11, M13, M14, M17, M18, M21, M22, M25, M26)		
10625737	FAN BLADE 22" ALUM CCW (M1, M2, M3, M4)		
0150M00008	FAN BLADE 22" TNT2203-25 (M5, M6, M7, M8, M9, M10, M11)		
10625738S	FAN BLADE 26" ALUM CCW (M12, M13, M15, M16, M17, M18, M19, M20, M21, M22, M23, M24, M25, M26)		
B1086765	FAN BLADE, TYPE 3 (M14)		
0163R00007	HEATER, CRANKCASE 230V, 40W (M17, M18, M21, M22, M25, M26)		

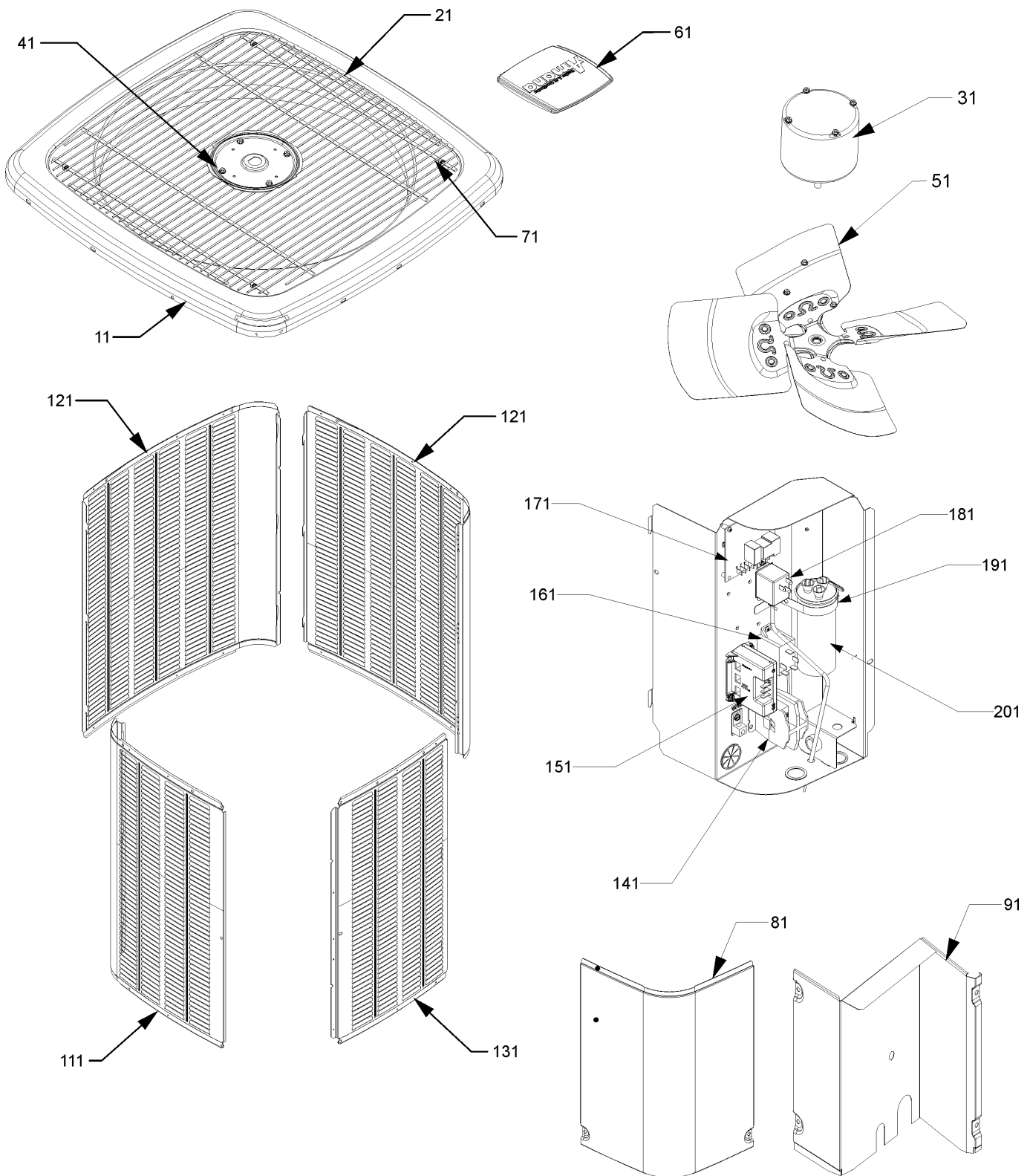
SPECIAL PARTS

0161R00008P	AMANA LOGO CAP
0161R00010P	AMANA NAMEPLATE

Expanded Model Nomenclature

M1 - ASZ140181AE
M2 - ASZ140181AF
M3 - ASZ140181AG
M4 - ASZ140181AH
M5 - ASZ140241AF
M6 - ASZ140241AG
M7 - ASZ140241AH
M8 - ASZ140241AJ
M9 - ASZ140301AF
M10 - ASZ140301AG
M11 - ASZ140301AH
M12 - ASZ140361AF
M13 - ASZ140361AG
M14 - ASZ140361BA
M15 - ASZ140421AD
M16 - ASZ140421AE
M17 - ASZ140421AF
M18 - ASZ140421AG
M19 - ASZ140481AD
M20 - ASZ140481AE
M21 - ASZ140481AF
M22 - ASZ140481AG
M23 - ASZ140601AD
M24 - ASZ140601AE
M25 - ASZ140601AF
M26 - ASZ140601AG

Control Panel and Top Assembly



Control Panel and Top Assembly

Ref. Part No:	Ref. Part No:	Description:	Description:
<i>Image 1:</i>		<i>Image 1:</i>	
11	0121R00011PDG	VENTURI TOP PANEL 29" (M1, M2, M3, M4, M5, M6, M7, M8, M9, M10, M11, M14)	121 4400459PLGB LOUVERED SIDE PANEL (M1, M2, M3, M4)
11	0121R00013PDG	VENTURI TOP PANEL 35" (M12, M13, M15, M16, M17, M18, M19, M20, M21, M22, M23, M24, M25, M26)	121 4400460PLGB LOUVERED SIDE PANEL (M5, M6, M7, M8, M9, M10, M11, M14)
21	0152R00011	GRILLE, WIRE 29" TOP (M1, M2, M3, M4, M5, M6, M7, M8, M9, M10, M11, M14)	121 4400465PLGB LOUVERED SIDE PANEL (M19, M20, M21, M22)
21	0152R00012	GRILLE, WIRE 35" TOP (M12, M13, M15, M16, M17, M18, M19, M20, M21, M22, M23, M24, M25, M26)	121 4400466PLGB LOUVERED SIDE PANEL (M12, M13, M15, M16, M17, M18, M23, M24, M25, M26)
31	0131M00027	COND MOTOR 1/12 HP, 2 SP, 8 PL (M1, M2, M3, M4)	131 4400461PLG LOUVERED SIDE PANEL [RT OF CNTL PNL] (M1, M2, M3, M4)
31	0131M00015P	COND MOTOR 1/4 HP, 2 SP, 8 PL (M12, M13, M14, M15, M16, M17, M18, M19, M20, M21, M22, M23, M24, M25, M26)	131 4400462PLG LOUVERED SIDE PANEL [RT OF CNTL PNL] (M5, M6, M7, M8, M9, M10, M11, M14)
31	0131M00013P	COND MOTOR 1/6 HP, 2 SP, 8 PL (M9, M10, M11)	131 4400467PLG LOUVERED SIDE PANEL [RT OF CNTL PNL] (M19, M20, M21, M22)
31	0131M00017P	COND MOTOR 1/6 HP, 2 SP, 8 PL (M5, M6, M7, M8)	131 4400468PLG LOUVERED SIDE PANEL [RT OF CNTL PNL] (M12, M13, M15, M16, M17, M18, M23, M24, M25, M26)
41	M0280801	HEX NUT (QTY 4)	141 CONT1P025024V CONTACTOR 25 AMP, 1P, 24V (M1, M2, M3, M4, M5, M6, M7, M8, M9, M10, M11, M12, M13, M14, M15, M16, M17, M18)
41	B1787000	VALVE CORE	141 CONT1P030024V CONTACTOR 30 AMP, 1P, 24V (M19, M20, M21, M22, M23, M24, M25, M26)
51	10625737	FAN BLADE 22" ALUM CCW (M1, M2, M3, M4)	151 543001200 COMFORT ALERT MODULE
51	0150M00008	FAN BLADE 22" TNT2203-25 (M5, M6, M7, M8, M9, M10, M11)	161 10135604 RELAY
51	10625738S	FAN BLADE 26" ALUM CCW (M12, M13, M15, M16, M17, M18, M19, M20, M21, M22, M23, M24, M25, M26)	171 PCBDM130 DEFROST CONTROL BOARD (M5, M6, M9, M12, M15, M16, M19, M20, M23, M24)
51	B1086765	FAN BLADE, TYPE 3 (M14)	171 PCBDM160 DEFROST CONTROL BOARD (M1, M2, M3, M4, M7, M8, M10, M11, M13, M14, M17, M18, M21, M22, M25, M26)
61	0161R00008P	AMANA LOGO CAP	181 0130M00011P LOW AMBIENT THERMOSTAT, SPDT
71	0163M00003P	SCREW #10 X 1/2, A, SLOT, SR, BLACK (QTY 4)	191 4400065 CAPACITOR STRAP
81	0121R00053PDG	CONTROL COVER	201 CAP050400440RT CAP, 5/40 MFD/440V/DUAL RD (M5, M6, M7, M8, M9, M10, M11)
91	0121R00318	LOWER ACCESS PANEL (M5, M6, M7, M8, M9, M10, M11, M12, M13, M14, M15, M16, M17, M18, M23, M24, M25, M26)	201 CAP050450440RT CAP, 5/45 MFD/440V/DUAL RD (M12, M13, M14, M15, M16, M17, M18, M19, M20, M21, M22)
91	0121R00321	LOWER ACCESS PANEL (M1, M2, M3, M4, M19, M20, M21, M22)	201 CAP050300440RS CAPACITOR 5/30/370V (M1, M2, M3, M4)
111	4400464PLGB	LOUVERED SIDE PANEL [LT OF CNTL PNL] (M12, M13, M15, M16, M17, M18, M23, M24, M25, M26)	201 CAP050700440RT CAPACITOR 5/70 MFD/440V/DUAL RD (M23, M24, M25, M26)
111	4400457PLGB	LOUVERED SIDE PANEL [LT OF CNTL PNL] (M1, M2, M3, M4)	NS 0161R00010P AMANA NAMEPLATE
111	4400458PLGB	LOUVERED SIDE PANEL [LT OF CNTL PNL] (M5, M6, M7, M8, M9, M10, M11, M14)	NS 0161R00002P CONDUIT (M1, M2, M3, M4, M5, M6, M7, M8, M9, M10, M11, M14)
111	4400463PLG	LOUVERED SIDE PANEL [LT OF CNTL PNL] (M19, M20, M21, M22)	NS 0161R00004P CONDUIT (M12, M13, M15, M16, M17, M18, M19, M20, M21, M22, M23, M24, M25, M26)
111	4400463PLGB	LOUVERED SIDE PANEL [LT OF CNTL PNL] (M19, M20, M21, M22)	

Control Panel and Top Assembly

Ref. Part

No: No:

Description:

Ref. Part

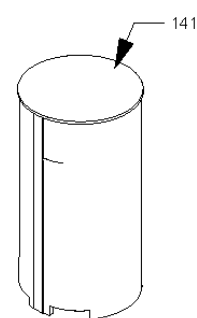
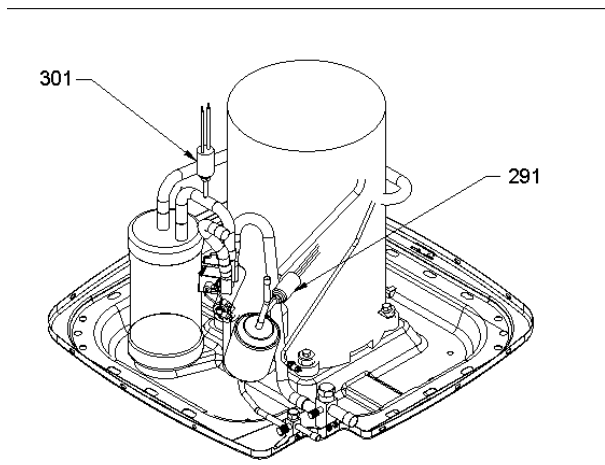
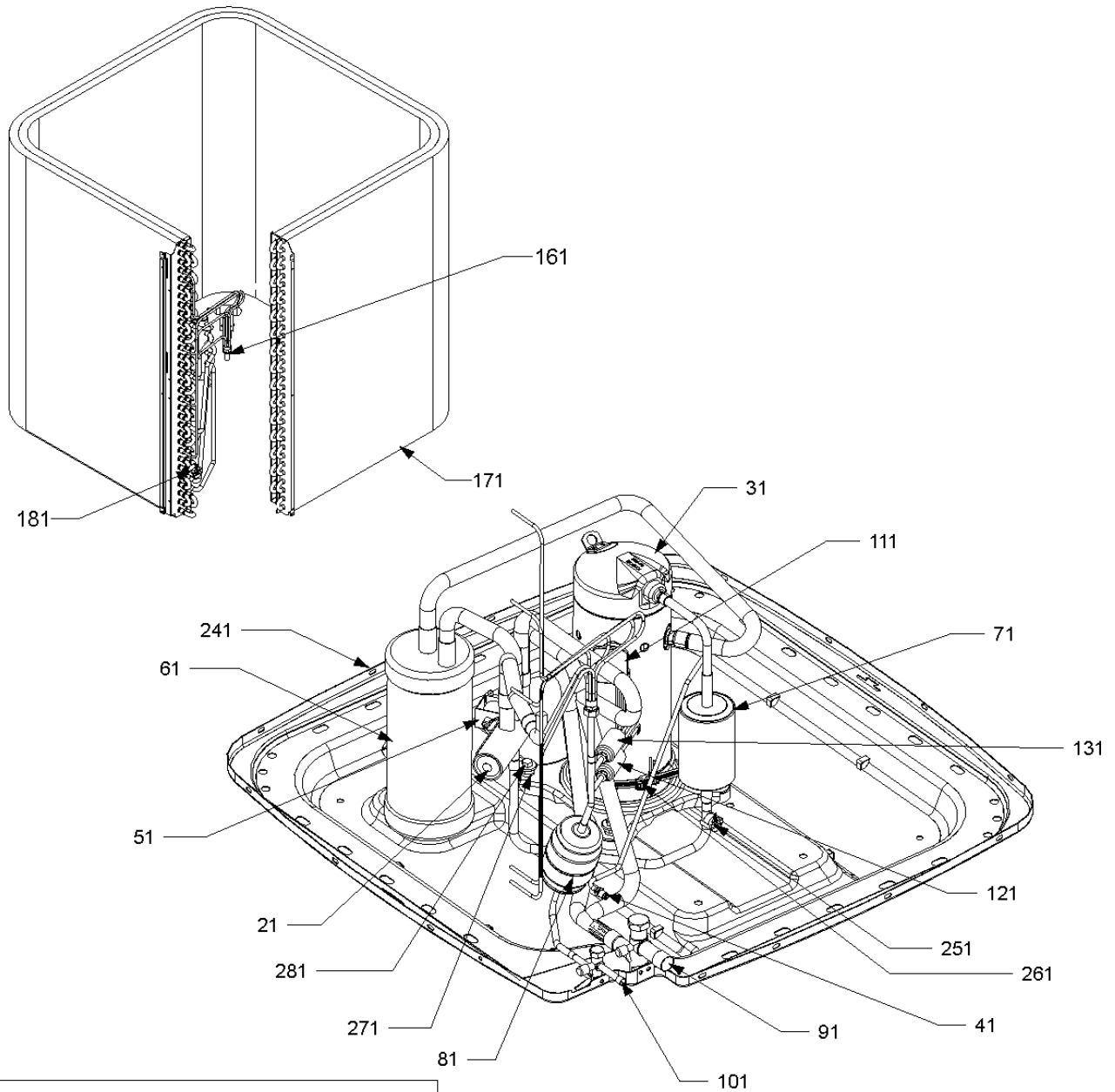
No: No:

Description:

Expanded Model Nomenclature

M1 - ASZ140181AE
M2 - ASZ140181AF
M3 - ASZ140181AG
M4 - ASZ140181AH
M5 - ASZ140241AF
M6 - ASZ140241AG
M7 - ASZ140241AH
M8 - ASZ140241AJ
M9 - ASZ140301AF
M10 - ASZ140301AG
M11 - ASZ140301AH
M12 - ASZ140361AF
M13 - ASZ140361AG
M14 - ASZ140361BA
M15 - ASZ140421AD
M16 - ASZ140421AE
M17 - ASZ140421AF
M18 - ASZ140421AG
M19 - ASZ140481AD
M20 - ASZ140481AE
M21 - ASZ140481AF
M22 - ASZ140481AG
M23 - ASZ140601AD
M24 - ASZ140601AE
M25 - ASZ140601AF
M26 - ASZ140601AG

Condenser / Tubing Assembly



Condenser / Tubing Assembly

Ref. Part No:	No:	Description:	Ref. Part No:	No:	Description:
<i>Image 1:</i>			<i>Image 1:</i>		
21	0151M00018	REVERSING VALVE (M2, M3, M4, M6, M7, M8)	111	0159R00002P	COMPRESSOR SCROLL HARNESS (M12, M13, M14, M15, M16, M17, M18, M19, M20, M21, M22, M23, M24, M25, M26)
21	0151M00019	REVERSING VALVE (M9, M10, M11, M14)			
21	0151M00021	REVERSING VALVE (M12, M13, M16, M17, M18, M20, M21, M22, M24, M25, M26)	121	0130M00088	LOW PRESSURE SWITCH (M1, M2, M3, M7, M10, M13, M17, M21, M25)
21	B1227315	REVERSING VALVE (M1, M5)	121	0130R00001	LOW PRESSURE SWITCH (M5, M6, M9, M12, M15, M16, M19, M20, M23, M24)
21	B1227318	REVERSING VALVE (M15, M19, M23)	131	0130M00089	HIGH PRESSURE SWITCH (M1, M2, M3, M7, M10, M13, M14, M17, M21, M25)
31	ZP16K5EPFV130	COMP,15500,208/230/60/1 (M1, M2, M3, M4)	131	20322603	HIGH PRESSURE SWITCH (M5, M6, M9, M12, M15, M16, M19, M20, M23, M24)
31	ZP29K5EPFV130	COMP,29000,208/230/60/1 (M14)			
31	ZP34K5EPFV130	COMP,34500,208/230/60/1 (M15, M16, M17, M18)	141	B1488807	COMPRESSOR SOUND BLANKET (M1, M5, M15, M16, M17, M18, M19, M20, M21, M22, M23, M24, M25, M26)
31	ZP21K5EPFV130	COMPRESSOR 21300, 208/230/60/1 (M5, M6, M7, M8)			
31	ZP25K5EPFV130	COMPRESSOR 25200, 208/230/60/1 (M9, M10, M11)	141	B1488810	COMPRESSOR SOUND BLANKET (M2, M3, M4, M6, M7, M8, M9, M10, M11, M12, M13, M14)
31	ZP31K5EPFV130	COMPRESSOR 31100, 208/230/60/1 (M12, M13)	161	0162M00024	FLOWRATOR .041 (M1, M2, M3, M4)
31	ZP39K5EPFV130	COMPRESSOR 39000, 208/230/60/1 (M19, M20, M21, M22)	161	0162M00033	FLOWRATOR .047 (M5, M6, M7, M8)
31	ZP51K5EPFV130	COMPRESSOR 51000, 208/230/60/1 (M23, M24, M25, M26)	161	0162M00035	FLOWRATOR .053 (M9, M10, M11)
			161	0162M00087	FLOWRATOR .053 (M12, M13)
			161	0162M00070	FLOWRATOR .059 (M14, M15, M16, M17, M18)
51	B1225020	SOLENOID COIL CORD W/1/4"TERMINAL (M1, M5, M15, M19, M23)	161	0162M00088	FLOWRATOR .059 (M19, M20, M21, M22)
			161	0162M00085	FLOWRATOR .065 (M23, M24, M25, M26)
51	0130M00083	SOLENOID HARNESS W/1/4" TERM (M2, M3, M4, M6, M7, M8, M9, M10, M11, M12, M13, M14, M16, M17, M18, M20, M21, M22, M24, M25, M26)	171	0201R00071	COIL TBG 32XM 4CR 1CTC (M1, M2, M3, M4)
			171	0201R00061	COIL TBG 36XM 4CR 1CTC (M5, M6, M7, M8)
61	0151L00008	ACCUMULATOR (M14)	171	0201R00062	COIL TBG 36XM 4CR 1CTC (M9, M10, M11)
61	0151R00004P	ACCUMULATOR .750 (M1, M2, M3, M4, M5, M6, M7, M8, M9, M10, M11)	171	0201R00351	COIL TUBING ASSEMBLY, 36X1 (M14)
61	B1226207	ACCUMULATOR .875 (M12, M13, M15, M16, M17, M18, M19, M20, M21, M22, M23, M24, M25, M26)	171	0201R00060	TUBING ASSY, COND COIL (M19, M20, M21, M22)
			171	0201R00072	TUBING ASSY, COND COIL (M15, M16, M17, M18)
71	0162R00007	MUFFLER 1/2 X 1/2 (M14)	171	0201R00072	TUBING ASSY, COND COIL (M12, M13)
71	0162R00007	MUFFLER 1/2 X 1/2 (M1, M2, M3, M4, M5, M6, M7, M8, M9, M10, M11, M12, M13, M15, M16, M17, M18, M19, M20, M21, M22, M23, M24, M25, M26)	171	0201R00073	TUBING ASSY, COND COIL (M23, M24, M25, M26)
			181	0130M00105	DEFROST CONTROL
81	20485201	BI-FLOW FILTER DRIER	241	0121R00006PDG	BASE PAN 29" (M1, M2, M3, M4, M5, M6, M7, M8, M9, M10, M11, M14)
91	0151R00002P	3/4" SERVICE VALVE OPEN LEFT (M1, M2, M3, M4, M5, M6, M7, M8, M9, M10, M11, M14)	241	0121R00007PDG	BASE PAN 35" (M12, M13, M15, M16, M17, M18, M19, M20, M21, M22, M23, M24, M25, M26)
91	0151R00003P	7/8" SERVICE VALVE OPEN LEFT (M12, M13, M15, M16, M17, M18, M19, M20, M21, M22, M23, M24, M25, M26)	251	0130R00045	CRANKCASE HEATER SWITCH (M3, M4, M7, M8, M10, M11, M13, M14, M17, M18, M21, M22, M25, M26)
101	B12825171	3/8" SERVICE VALVE			
111	0159R00001P	COMPRESSOR SCROLL HARNESS (M1, M2, M3, M4, M5, M6, M7, M8, M9, M10, M11)	261	0163R00006	HEATER, CRANKCASE 230V, 40W (M3, M4, M7, M8, M10, M11, M13, M14)

Condenser / Tubing Assembly

Ref. Part No: No:	Description:	Ref. Part No: No:	Description:
-------------------	--------------	-------------------	--------------

Image 1:

261	0163R00007	HEATER, CRANKCASE 230V, 40W (M17, M18, M21, M22, M25, M26)
271	B1339533	COMPRESSOR GROMMET (QTY 4)
281	M0221641	TF SHOULDER SCREW (QTY 4)
291	0130M00089	HIGH PRESSURE SWITCH (M4, M8, M11, M18, M22, M26)
301	0130M00088	LOW PRESSURE SWITCH (M4, M8, M11, M14, M18, M22, M26)
NS	B9102097	CAP W/O-RING

Expanded Model Nomenclature

M1 - ASZ140181AE
M2 - ASZ140181AF
M3 - ASZ140181AG
M4 - ASZ140181AH
M5 - ASZ140241AF
M6 - ASZ140241AG
M7 - ASZ140241AH
M8 - ASZ140241AJ
M9 - ASZ140301AF
M10 - ASZ140301AG
M11 - ASZ140301AH
M12 - ASZ140361AF
M13 - ASZ140361AG
M14 - ASZ140361BA
M15 - ASZ140421AD
M16 - ASZ140421AE
M17 - ASZ140421AF
M18 - ASZ140421AG
M19 - ASZ140481AD
M20 - ASZ140481AE
M21 - ASZ140481AF
M22 - ASZ140481AG
M23 - ASZ140601AD
M24 - ASZ140601AE
M25 - ASZ140601AF
M26 - ASZ140601AG