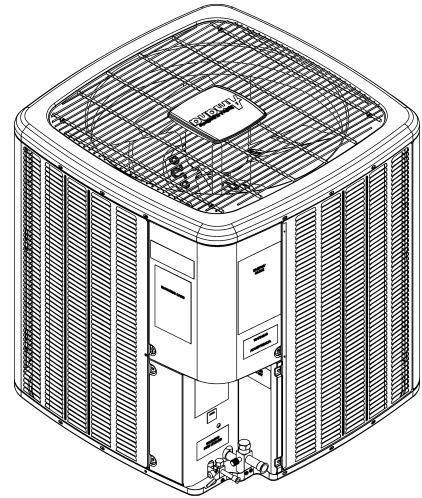


ASZ14 Remote Heat Pump

ASZ140181KE
ASZ140241KD
ASZ140301KD
ASZ140361KD
ASZ140421KD
ASZ140421KE
ASZ140481KC
ASZ140481KD
ASZ140491KD
ASZ140491KE
ASZ140601KC



Amana® is a registered trademark of Maytag Corporation or its related companies and is used under license. All rights reserved.

This manual is to be used by qualified technicians only.

This manual replaces RP-A4314A.

© 2017 - 2019 Goodman Company, L.P. ♦ 19001 Kermier Rd. ♦ Waller, TX 77484

Important Information

Index

Functional Parts List	3
Illustration and Parts	4 - 9

Views shown are for parts illustrations only, not servicing procedures

Text Codes:

AR - As Required

NA - Not Available

NS - Not Shown

00000000 - See Note

QTY - Quantity Example (QTY 3) (If Quantity not shown, Quantity = 1)

M - Model Example (M1) (If M Code not shown, then part is used on all Models)

Expanded Model Nomenclature:

Example M1 - Model#1 M2 - Model#2 M3 - Model#3

Goodman Company, L.P. is not responsible for personal injury or property damage resulting from improper service. Review all service information before beginning repairs.

Warranty service must be performed by an authorized technician, using authorized factory parts. If service is required after the warranty expires, Goodman Company, L.P. also recommends contacting an authorized technician and using authorized factory parts.

Goodman Company, L.P. reserves the right to discontinue, or change at any time, specifications or designs without notice or without incurring obligations.

For assistance within the U.S.A. contact:

Homeowner Support
Goodman Company, L.P.
19001 Kermier Road
Waller, Texas 77484
877-254-4729-Telephone
713-863-2382-Facsimile

For assistance outside the U.S.A. contact:

International Division
Goodman Company, L.P.
19001 Kermier Road
Waller, Texas 77484
713-861-2500-Telephone
713-863-2382-Facsimile

Functional Parts

Part No: **Description:**

0151R00167	BASE VALVE 3/8"
CAP050300440CS	CAP,5/30MFD/440V/DUAL RD (M1)
CAP050350440CS	CAPACITOR 5/35/440V (M2, M3)
CAP050450440CT	CAPACITOR 5/45/440V/DUAL RD (M4, M5, M6, M7, M8, M9, M10)
CAP050700440CT	CAPACITOR 5/70/440V/DUAL RD (M11)
ZP14K6EPFV120	COMP, 20200, 208/230/60/1 (M1)
ZP20K6EPFV120	COMP, 27200, 208/230/60/1 (M2)
ZP25K6EPFV120	COMP, 34200, 208/230/60/1 (M3)
ZP31K6EPFV120	COMP, 42500, 208/230/60/1 (M4)
ZP34K6EPFV120	COMP, 46500, 208/230/60/1 (M5, M6)
ZP40K6EPFV120	COMP, 53700, 208/230/60/1 (M7, M8)
ZP39K5EPFV130	COMP,39000,208/230/60/1 (M9, M10)
ZP51K5EPFV130	COMP,51000,208/230/60/1 (M11)
CONT1P025024V	CONTACTOR 25 AMP, 1P, 24V (M1, M2, M3, M4, M5, M6)
CONT1P030024V	CONTACTOR 30 AMP, 1P, 24V (M7, M8, M9, M10, M11)
0130M00250	CONTROL, DEFROST
571006700	CoreSense Module
0130M00106	DISC THERMOSTAT(CRNKCS HTR SW)
0163R00007	HEATER, CRANKCASE 230V, 40W (M5, M6, M7, M8, M9, M10, M11)
0163R00006	HEATER, CRANKCASE 230V, 40W (M1, M2, M3, M4)
0130R00003	HIGH PRESSURE SWITCH
0130M00088	LOW PRESSURE SWITCH
0131M00807	MOTOR, 1/4HP,1SP,8PL,AL (M7, M8, M11)
0131M00753	MOTOR, 1/6HP, 1SP, 8PL, AL (M1, M2, M3, M4)
0131M00945	MOTOR, 1/6HP, 8PL (M6, M10)
0131M00754	MOTOR, PSC, 1/6HP, 8PL (M5, M9)
PCBDM133	PCB, DEFROST CONTROL
0151R00071	REVERSING VALVE (M5, M6, M7, M8, M9, M10, M11)
0151R00069	REVERSING VALVE (M3, M4)
0151R00068	REVERSING VALVE (M1, M2)
B1225022	SOLENOID COIL

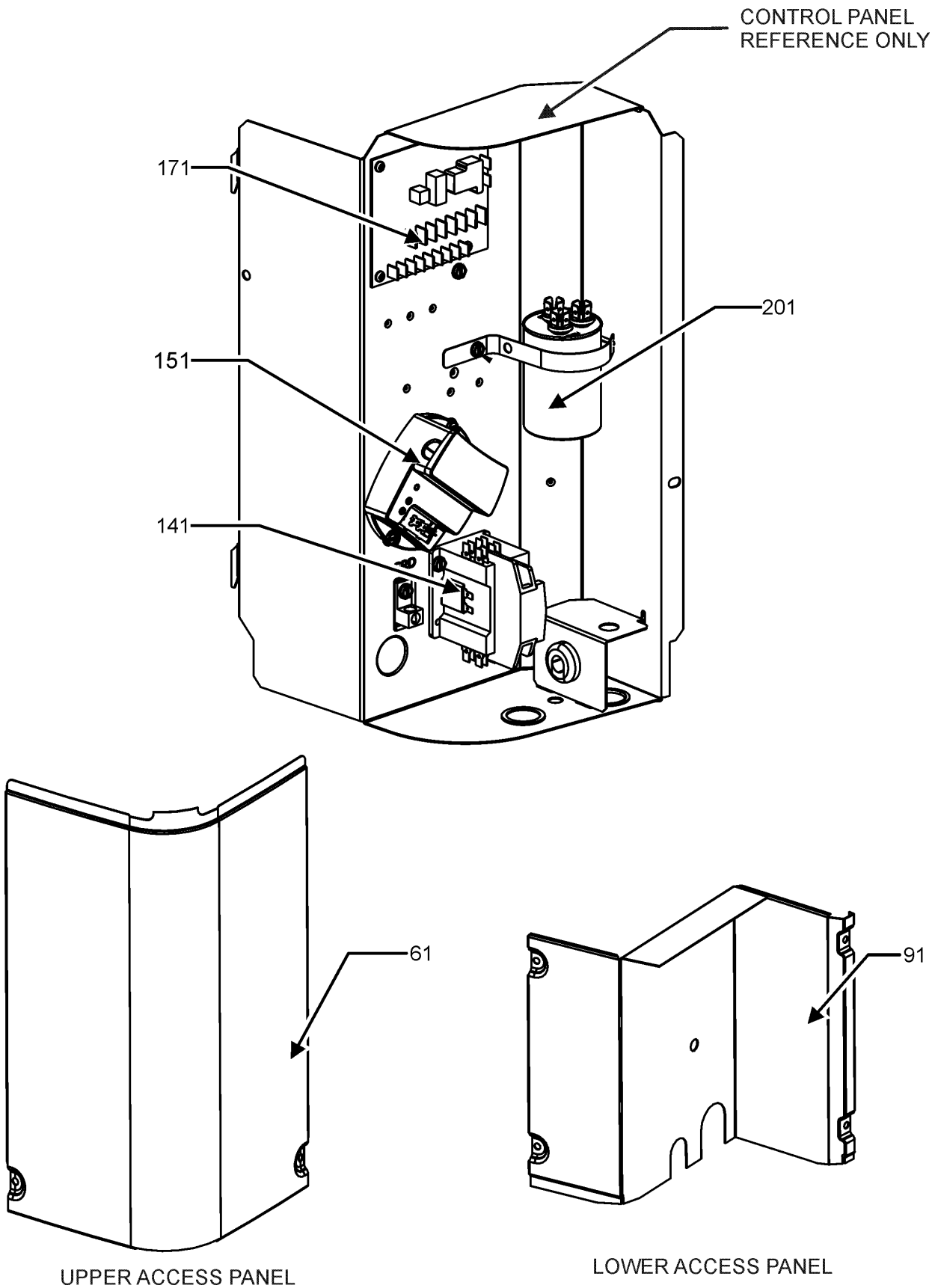
Expanded Model Nomenclature

M1 - ASZ140181KE
M2 - ASZ140241KD
M3 - ASZ140301KD
M4 - ASZ140361KD
M5 - ASZ140421KD
M6 - ASZ140421KE
M7 - ASZ140481KC
M8 - ASZ140481KD
M9 - ASZ140491KD
M10 - ASZ140491KE
M11 - ASZ140601KC

SPECIAL PARTS

0161R00086	CAP, AMANA LOGO
0161R00087	NAMEPLATE, AMANA LOGO

Control Panel Assembly



Control Panel Assembly

Ref. Part No:	Part No:	Description:	Ref. Part No:	Part No:	Description:
---------------	----------	--------------	---------------	----------	--------------

Image 1:

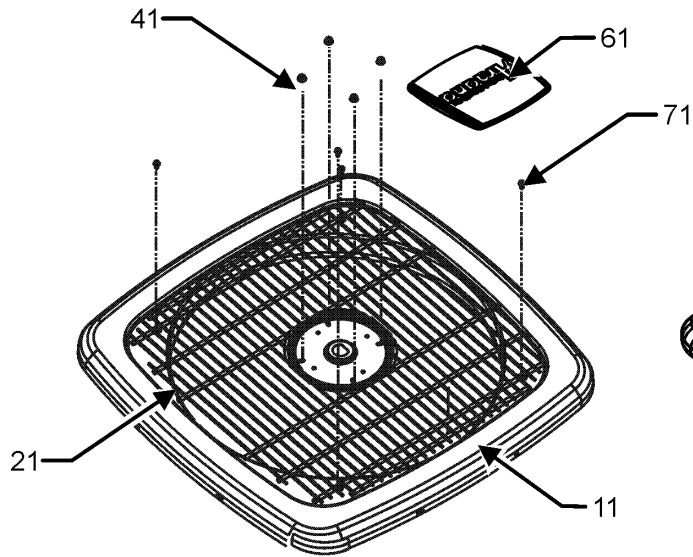
81	0121R00053PDG	CONTROL COVER			
91	0121R00154PDG	PANEL, LOWER ACCESS PNT (M3, M4, M7, M8)			
91	0121R00625PDG	PANEL, LOWER ACCESS PNT (M1, M2, M9, M10, M11)			
141	CONT1P025024V	CONTACTOR 25 AMP, 1P, 24V (M1, M2, M3, M4, M5, M6)			
141	CONT1P030024V	CONTACTOR 30 AMP, 1P, 24V (M7, M8, M9, M10, M11)			
151	571006700	CoreSense Module			
171	PCBDM133	PCB, DEFROST CONTROL			
191	4400065	CAPACITOR STRAP			
201	CAP050300440CS	CAP,5/30MFD/440V/DUAL RD (M1)			
201	CAP050350440CS	CAPACITOR 5/35/440V (M2, M3)			
201	CAP050450440CT	CAPACITOR 5/45/440V/DUAL RD (M4, M5, M6, M7, M8, M9, M10)			
201	CAP050700440CT	CAPACITOR 5/70/440V/DUAL RD (M11)			
NS	0161R00087	NAMEPLATE, AMANA LOGO			

Expanded Model Nomenclature

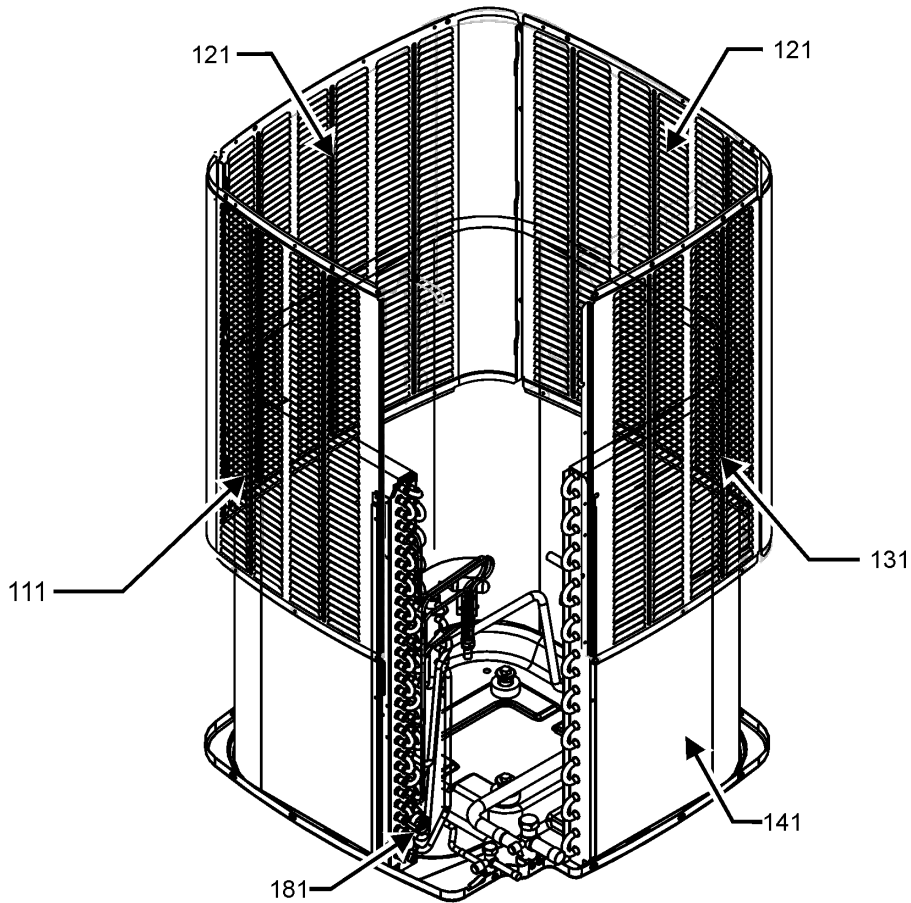
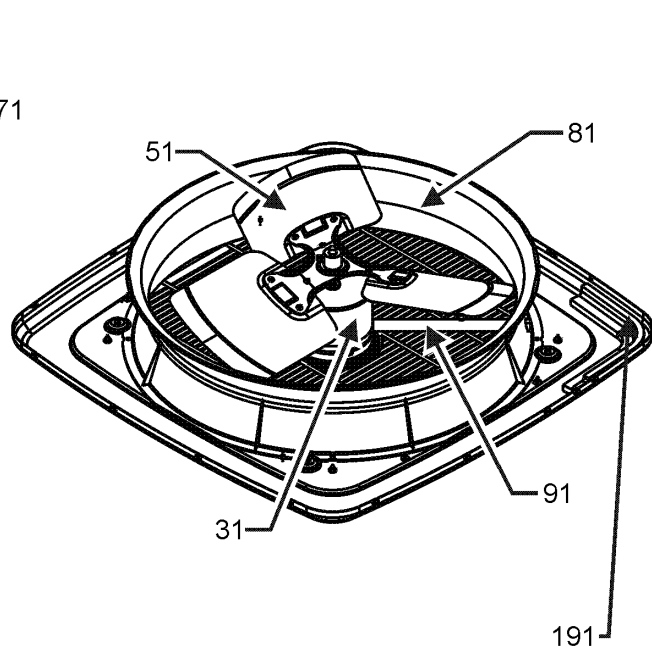
- | |
|-------------------|
| M1 - ASZ140181KE |
| M2 - ASZ140241KD |
| M3 - ASZ140301KD |
| M4 - ASZ140361KD |
| M5 - ASZ140421KD |
| M6 - ASZ140421KE |
| M7 - ASZ140481KC |
| M8 - ASZ140481KD |
| M9 - ASZ140491KD |
| M10 - ASZ140491KE |
| M11 - ASZ140601KC |

Top Panel and Condenser Assembly

TOP PANEL ASSEMBLY
TOP VIEW



TOP PANEL ASSEMBLY
BOTTOM VIEW

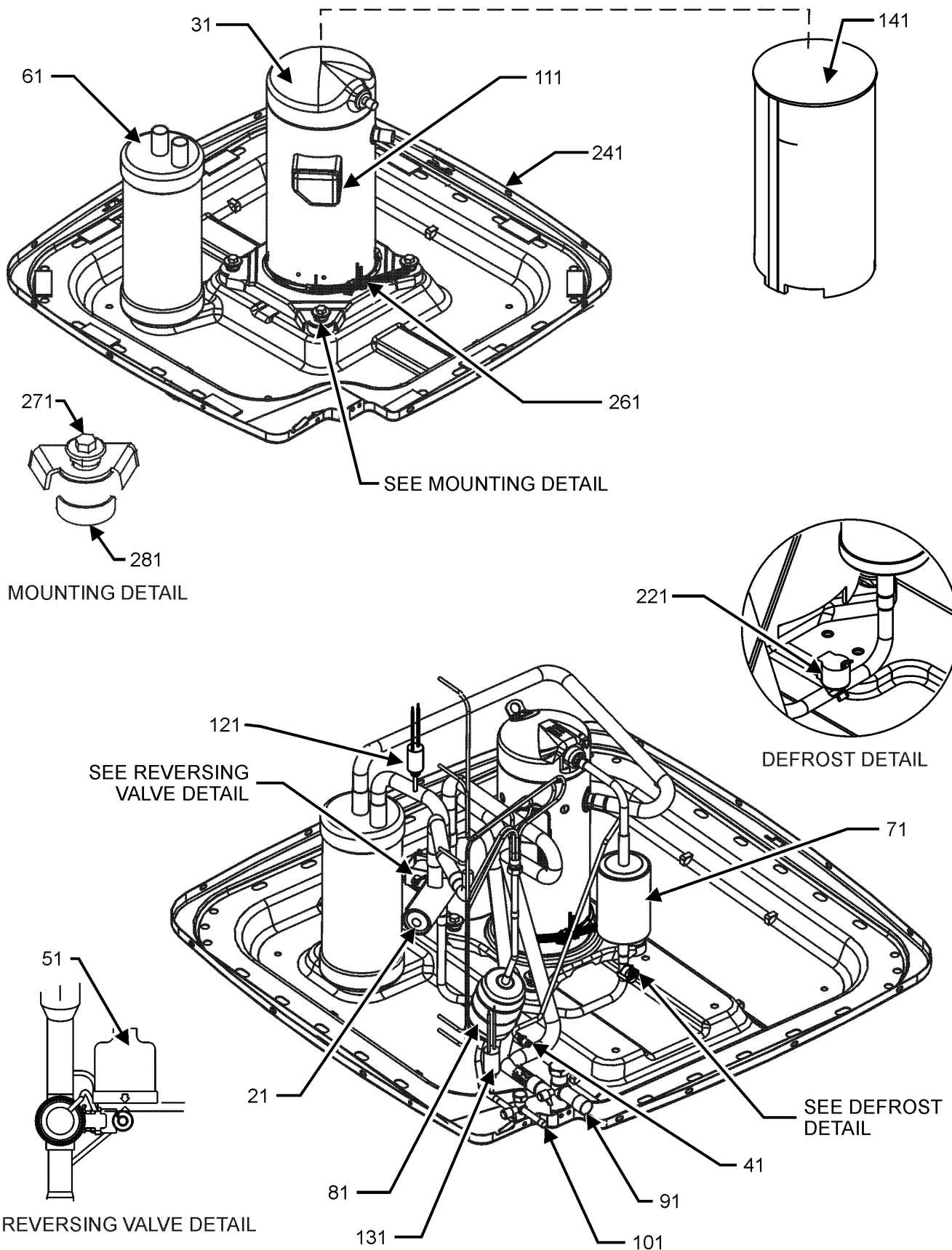


LOUVER PANEL ASSEMBLY

Top Panel and Condenser Assembly

Ref. Part No:	Part No:	Description:	Ref. Part No:	Part No:	Description:
Image 1:			Expanded Model Nomenclature		
11	0121R00576PDG	TOP PANEL 29" (M1, M2, M3, M4, M7, M8)	M1	-	ASZ140181KE
11	0121R00577PDG	TOP PANEL 35" (M5, M6, M9, M10, M11)	M2	-	ASZ140241KD
21	0152R00015	GRILLE, WIRE 29" TOP (M1, M2, M3, M4, M7, M8)	M3	-	ASZ140301KD
21	0152R00016	GRILLE, WIRE 35" TOP (M5, M6, M9, M10, M11)	M4	-	ASZ140361KD
31	0131M00807	MOTOR, 1/4HP, 1SP, 8PL, AL (M7, M8, M11)	M5	-	ASZ140421KD
31	0131M00753	MOTOR, 1/6HP, 1SP, 8PL, AL (M1, M2, M3, M4)	M6	-	ASZ140421KE
31	0131M00945	MOTOR, 1/6HP, 8PL (M6, M10)	M7	-	ASZ140481KC
31	0131M00754	MOTOR, PSC, 1/6HP, 8PL (M5, M9)	M8	-	ASZ140481KD
41	M0280801	HEX NUT (QTY 4)	M9	-	ASZ140491KD
51	0150M00008	FAN BLADE 22" TNT2203-25 (M1, M2, M3, M4)	M10	-	ASZ140491KE
51	B1086765	FAN BLADE TYPE 3 (M7, M8)	M11	-	ASZ140601KC
51	0150M00054	FAN BLADE, 26" (M5, M6, M9, M10, M11)			
61	0161R00086	CAP, AMANA LOGO			
71	0163M00003P	SCREW #10 X 1/2, A, SLOT, SR, BLACK (QTY 6)			
81	0161R00048	MOLDED RING-VENTURI 22 (M1, M2, M3, M4, M7, M8)			
81	0161R00049	MOLDED RING-VENTURI 26" (M5, M6, M9, M10, M11)			
91	0161R00002P	CONDUIT (M1, M2, M3, M4, M7, M8)			
91	0161R00004P	CONDUIT (M5, M6, M9, M10, M11)			
111	0121R00580PLGB	PANEL 1, BENT LOUVER 29_34.64 (M1, M2)			
111	0121R00589PLGB	PANEL 1, BENT LOUVER 29_36.38 (M3, M4, M7, M8)			
111	0121R00598PLGB	PANEL 1, BENT LOUVER 35_34.64 (M9, M10, M11)			
111	0121R00601PLGB	PANEL 1, BENT LOUVER 35_39.84 (M5, M6)			
121	0121R00581PLGB	PANEL 2, BENT LOUVER 29_34.64 (M1, M2)			
121	0121R00590PLGB	PANEL 2, BENT LOUVER 29_36.38 (M3, M4, M7, M8)			
121	0121R00599PLGB	PANEL 2, BENT LOUVER 35_34.64 (M9, M10, M11)			
121	0121R00514PLGB	PANEL 2, BENT LOUVER 35_39.84 (M5, M6)			
131	0121R00582PLG	PANEL 3, LOUVER 29_34.64 PNT (M1, M2)			
131	0121R00591PLG	PANEL 3, LOUVER 29_36.38 PNT (M3, M4, M7, M8)			
131	0121R00600PLG	PANEL 3, LOUVER 35_34.64 PNT (M9, M10, M11)			
131	0121R00603PLG	PANEL 3, LOUVER 35_39.84 PNT (M5, M6)			
141	0201R00515	COIL TUBING ASSY (M5, M6)			
141	0201R00567	COIL TUBING ASSY (M9, M10, M11)			
141	0201R00581	COIL TUBING ASSY (M7, M8)			
141	0201R00668	COIL TUBING ASSY (M1)			
141	0201R00669	COIL TUBING ASSY (M2)			
141	0201R00670	COIL TUBING ASSY (M3)			
141	0201R00671	COIL TUBING ASSY (M4)			
181	0130M00250	CONTROL, DEFROST			
191	0154R00006	GASKET, CONTROL PANEL			
NS	B1789872	FLOW CHECK PISTON KIT (M4)			
NS	B1789851	FLOW CHECK PISTON KIT .051 (M1)			
NS	B1789857	FLOW CHECK PISTON KIT .057 (M2)			
NS	B1789865	FLOW CHECK PISTON KIT .065 (M3)			
NS	B1789878	FLOW CHECK PISTON KIT .078 (M5, M6)			
NS	B1789880	FLOW CHECK PISTON KIT .080 (M7, M8, M9, M10)			
NS	B1789888	FLOW CHECK PISTON KIT .088 (M11)			

Compressor and Tubing Assembly



Compressor and Tubing Assembly

Ref. Part No:	Ref. Part No:	Description:	Description:
Image 1:		Expanded Model Nomenclature	
21	0151R00068	REVERSING VALVE (M1, M2)	M1 - ASZ140181KE
21	0151R00069	REVERSING VALVE (M3, M4)	M2 - ASZ140241KD
21	0151R00071	REVERSING VALVE (M5, M6, M7, M8, M9, M10, M11)	M3 - ASZ140301KD
31	ZP14K6EPFV120	COMP, 20200, 208/230/60/1 (M1)	M4 - ASZ140361KD
31	ZP20K6EPFV120	COMP, 27200, 208/230/60/1 (M2)	M5 - ASZ140421KD
31	ZP25K6EPFV120	COMP, 34200, 208/230/60/1 (M3)	M6 - ASZ140421KE
31	ZP31K6EPFV120	COMP, 42500, 208/230/60/1 (M4)	M7 - ASZ140481KC
31	ZP34K6EPFV120	COMP, 46500, 208/230/60/1 (M5, M6)	M8 - ASZ140481KD
31	ZP40K6EPFV120	COMP, 53700, 208/230/60/1 (M7, M8)	M9 - ASZ140491KD
31	ZP39K5EPFV130	COMP,39000,208/230/60/1 (M9, M10)	M10 - ASZ140491KE
31	ZP51K5EPFV130	COMP,51000,208/230/60/1 (M11)	M11 - ASZ140601KC
41	B1787000	VALVE CORE	
51	0130M00410	REVERSING VALVE HARNESS	
61	0151L00008	ACCUMULATOR (M4)	
61	0151R00004P	ACCUMULATOR .750 (M1, M2, M3)	
61	B1226207	ACCUMULATOR .875 (M5, M6, M7, M8, M9, M10, M11)	
71	0162R00007	MUFFLER 1/2 X 1/2	
81	20485201	BI-FLOW FILTER DRIER	
91	0151R00079	BASE VALVE 3/4" (M1, M2, M3, M4)	
91	0151R00080	BASE VALVE 7/8" (M5, M6, M7, M8, M9, M10, M11)	
101	0151R00167	BASE VALVE 3/8"	
111	0159R00001P	COMPRESSOR SCROLL HARNESS (M1, M2, M3, M4, M7, M8)	
111	0159R00002P	COMPRESSOR SCROLL HARNESS (M5, M6, M9, M10)	
121	0130M00088	LOW PRESSURE SWITCH	
131	0130R00003	HIGH PRESSURE SWITCH	
141	0163R00006	HEATER, CRANKCASE 230V, 40W (M1, M2, M3, M4)	
141	0163R00007	HEATER, CRANKCASE 230V, 40W (M5, M6, M7, M8, M9, M10, M11)	
221	0130M00106	DISC THERMOSTAT(CRNKCS HTR SW)	
241	0121R00006PDG	BASE PAN 29" (M1, M2, M3, M4, M7, M8)	
241	0121R00007PDG	BASE PAN 35" (M5, M6, M9, M10, M11)	
261	0163R00006	HEATER, CRANKCASE 230V, 40W (M1, M2, M3, M4)	
261	0163R00007	HEATER, CRANKCASE 230V, 40W (M5, M6, M7, M8, M9, M10, M11)	
271	B1339533	COMPRESSOR GROMMET (QTY 4)	
281	M0221641	TF SHOULDER SCREW (QTY 4)	
NS	0163M00175	CAP WITH O-RING	
NS	B1225022	SOLENOID COIL	