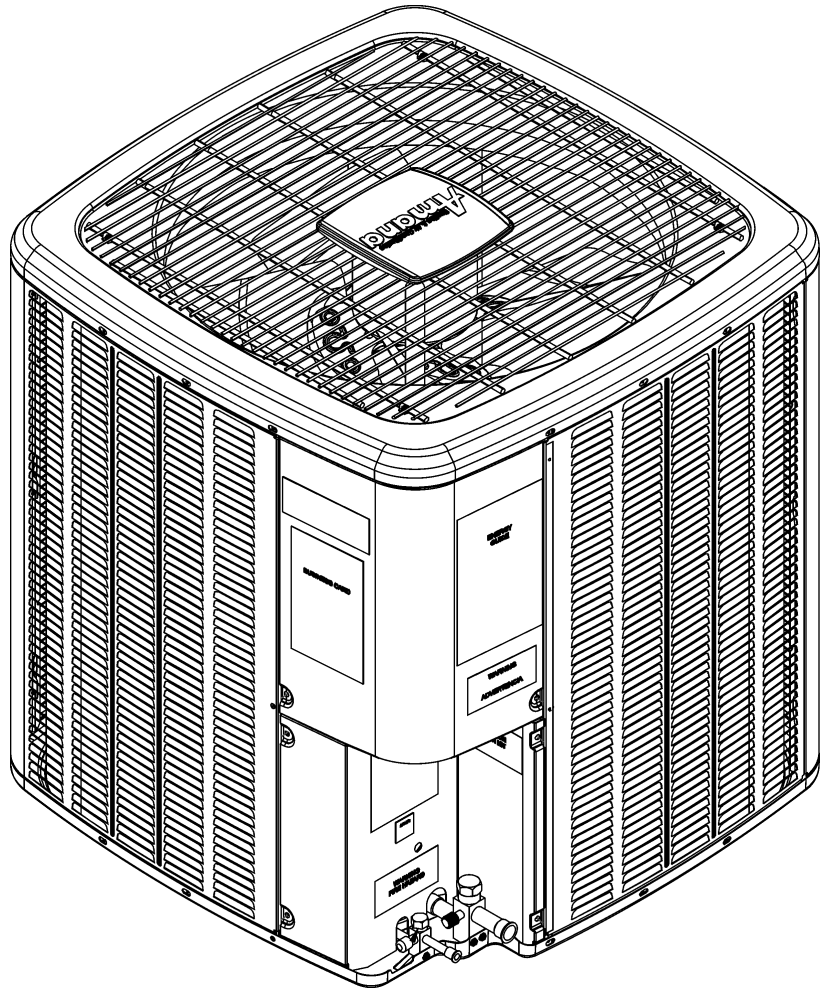


ASZ14 Remote Heat Pump

ASZ140181KA
ASZ140181KC
ASZ140181KD
ASZ140241KA
ASZ140241KB
ASZ140241KC
ASZ140301KA
ASZ140301KB
ASZ140301KC
ASZ140361KA
ASZ140361KB
ASZ140361KC
ASZ140421KA
ASZ140421KB
ASZ140421KC
ASZ140481KA
ASZ140481KB
ASZ140491KA
ASZ140491KB
ASZ140491KC
ASZ140601KA
ASZ140601KB



Amana® is a registered trademark of Maytag Corporation or its related companies and is used under license. All rights reserved.

This manual is to be used by qualified technicians only.

This manual replaces RP-A4003F.

© 2015 - 2017 Goodman Manufacturing Company, L.P. ♦ 5151 San Felipe St, Suite 500 ♦ Houston, TX 77056

Important Information

Index

Functional Parts List	3
Illustration and Parts	4 - 9

Views shown are for parts illustrations only, not servicing procedures

Text Codes:

AR - As Required

NA - Not Available

NS - Not Shown

00000000 - See Note

QTY - Quantity Example (QTY 3) (If Quantity not shown, Quantity = 1)

M - Model Example (M1) (If M Code not shown, then part is used on all Models)

Expanded Model Nomenclature:

Example M1 - Model#1 M2 - Model#2 M3 - Model#3

Goodman Manufacturing Company, L.P. is not responsible for personal injury or property damage resulting from improper service. Review all service information before beginning repairs.

Warranty service must be performed by an authorized technician, using authorized factory parts. If service is required after the warranty expires, Goodman Manufacturing Company, L.P. also recommends contacting an authorized technician and using authorized factory parts.

Goodman Manufacturing Company, L.P. reserves the right to discontinue, or change at any time, specifications or designs without notice or without incurring obligations.

For assistance within the U.S.A. contact:
Homeowner Support
Goodman Manufacturing Company, L.P.
19001 Kermier Road
Waller, Texas 77484
877-254-4729-Telephone
713-863-2382-Facsimile

For assistance outside the U.S.A. contact:
International Division
Goodman Manufacturing Company, L.P.
19001 Kermier Road
Waller, Texas 77484
713-861-2500-Telephone
713-863-2382-Facsimile

Functional Parts

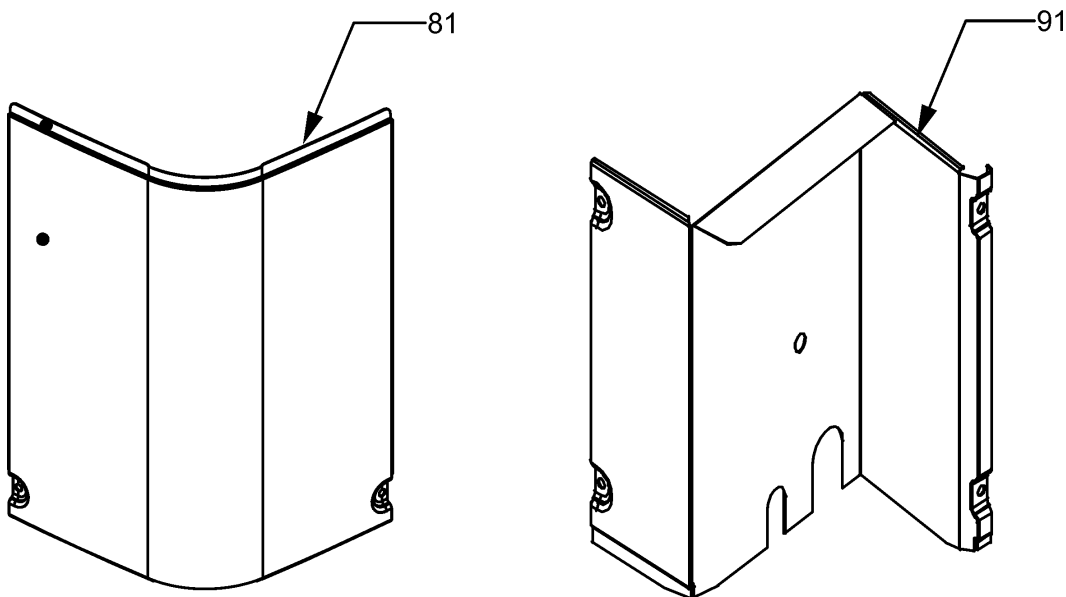
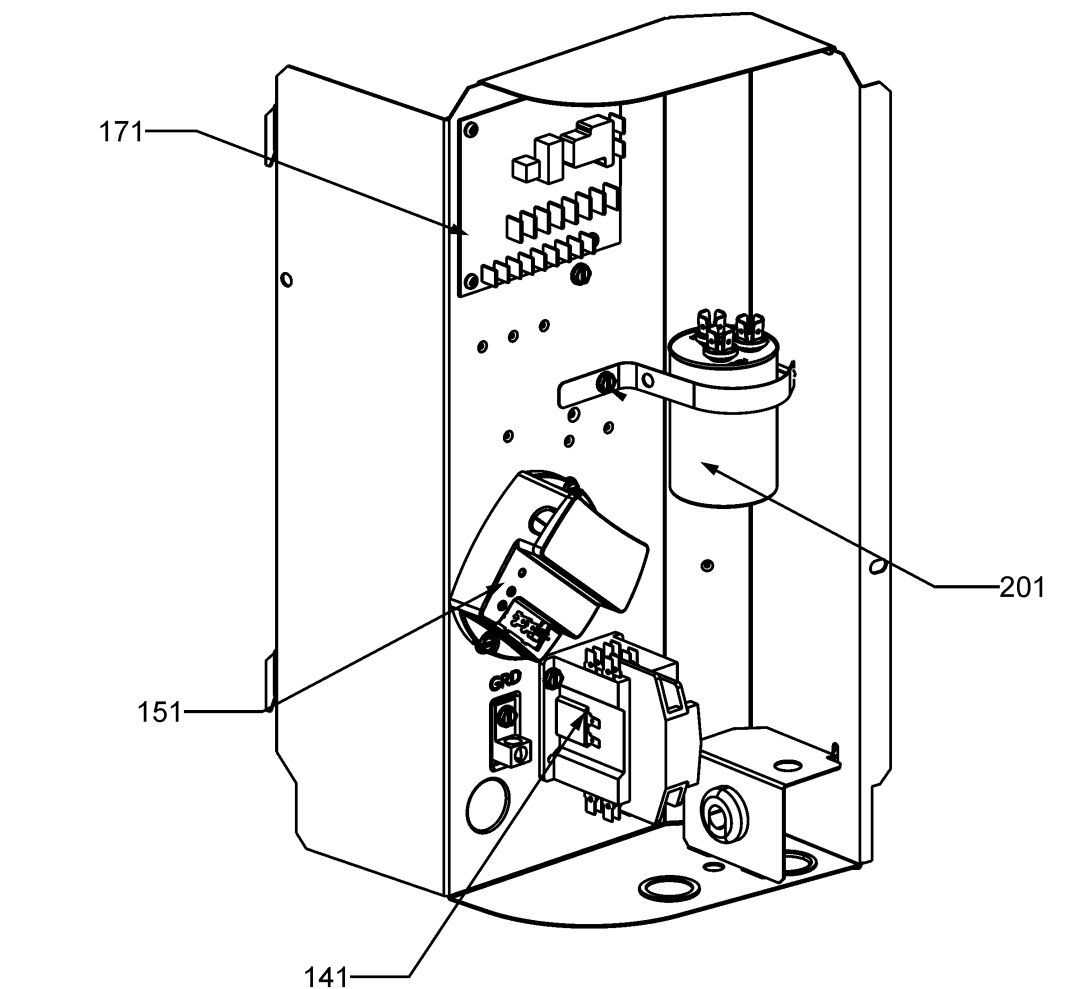
Part

No: **Description:**

Part No:	Description:	Expanded Model Nomenclature
0151R00079	BASE VALVE 3/4" (M1, M2, M3, M4, M5, M6, M7, M8, M9, M10, M11, M12)	M1 - ASZ140181KA
0151R00078	BASE VALVE 3/8"	M2 - ASZ140181KC
0151R00080	BASE VALVE 7/8" (M13, M14, M15, M16, M17, M18, M19, M20, M21, M22)	M3 - ASZ140181KD
CAP050300440CS	CAP,5/30MFD/440V/DUAL RD (M1, M2, M3)	M4 - ASZ140241KA
CAP050350440CS	CAPACITOR 5/35/440V (M4, M5, M6, M7, M8, M9)	M5 - ASZ140241KB
CAP050450440CT	CAPACITOR 5/45/440V/DUAL RD (M10, M11, M12, M13, M14, M15, M16, M17, M18, M19, M20)	M6 - ASZ140241KC
CAP050700440CT	CAPACITOR 5/70/440V/DUAL RD (M21, M22)	M7 - ASZ140301KA
ZP14K6EPFV130	COMP, 14,000,208/230/60/1 (M1, M2, M3)	M8 - ASZ140301KB
ZP20K6EPFV130	COMP, 20,000,208/230/60/1 (M4, M5, M6)	M9 - ASZ140301KC
ZP34K6EPFV130	COMP, 46500, 208/230/60/1 (M13, M14, M15)	M10 - ASZ140361KA
ZP40K6EPFV130	COMP, 53700, 208/230/60/1 (M16, M17)	M11 - ASZ140361KB
ZP25K6EPFV130	COMP,34200,208/230/60/1 (M7, M8, M9)	M12 - ASZ140361KC
ZP31K6EPFV130	COMP,42500,208/230/60/1 (M10, M11, M12)	M13 - ASZ140421KA
ZP39K5EPFV130	COMPRESSOR 39000, 208/230/60/1 (M18, M19, M20)	M14 - ASZ140421KB
ZP51K5EPFV130	COMPRESSOR 51000, 208/230/60/1 (M21, M22)	M15 - ASZ140421KC
0131M00061	COND MOTOR 1/4 HP, 1 SP, 8 PL (M13, M16, M17, M18, M21, M22)	M16 - ASZ140481KA
0131M00060	COND MOTOR 1/6 HP, 1 SP, 8 PL (M1, M4, M5, M7, M8, M10, M11)	M17 - ASZ140481KB
0131M00753	COND MOTOR, 1/6HP, 1SP, 8PL, AL (M2, M3, M6, M9, M12)	M18 - ASZ140491KA
0131M00754	COND MOTOR, PSC, 1/6HP, 8PL (M14, M15, M19, M20)	M19 - ASZ140491KB
CONT1P025024V	CONTACTOR 25 AMP, 1P, 24V (M1, M2, M3, M4, M5, M6, M7, M8, M9, M10, M11, M12, M13, M14, M15)	M20 - ASZ140491KC
CONT1P030024V	CONTACTOR 30 AMP, 1P, 24V (M16, M17, M18, M19, M20, M21, M22)	M21 - ASZ140601KA
0130M00250	CONTROL, DEFROST	M22 - ASZ140601KB
571006700	CORE SENSE MODULE	
0130R00003	CUT-OUT SWITCH, HIGH PRESSURE	
0130M00088	CUT-OUT SWITCH, LOW PRESSURE	
PCBDM133	DEFROST CONTROL BOARD	
0130M00106	DISC THERMOSTAT(CRNKCS HTR SW)	
10625738	FAN BLADE 26" ALUM CCW (M13, M14, M15, M18, M19, M20, M21, M22)	
B1086764	FAN BLADE TYPE 2 (M1, M2, M3, M4, M5, M6, M7, M8, M9, M10, M11, M12)	
B1086765	FAN BLADE TYPE 3 (M16, M17)	
0163R00007	HEATER, CRANKCASE 230V, 40W (M13, M14, M15, M16, M17, M18, M19, M20, M21, M22)	
0163R00006	HEATER, CRANKCASE 230V, 40W (M1, M2, M3, M4, M5, M6, M7, M8, M9, M10, M11, M12)	
0151R00069	REVERSING VALVE (M7, M8, M9, M10, M11, M12)	
0151R00071	REVERSING VALVE (M13, M14, M15, M16, M17, M18, M19, M20, M21, M22)	
0151R00068	REVERSING VALVE (M1, M2, M3, M4, M5, M6)	
B1225022	SOLENOID COIL	

0161R00008P AMANA LOGO CAP
0161R00010P AMANA NAMEPLATE

Control Panel Assembly



Control Panel Assembly

Ref. Part No:	Part No:	Description:	Ref. Part No:	Part No:	Description:
---------------	----------	--------------	---------------	----------	--------------

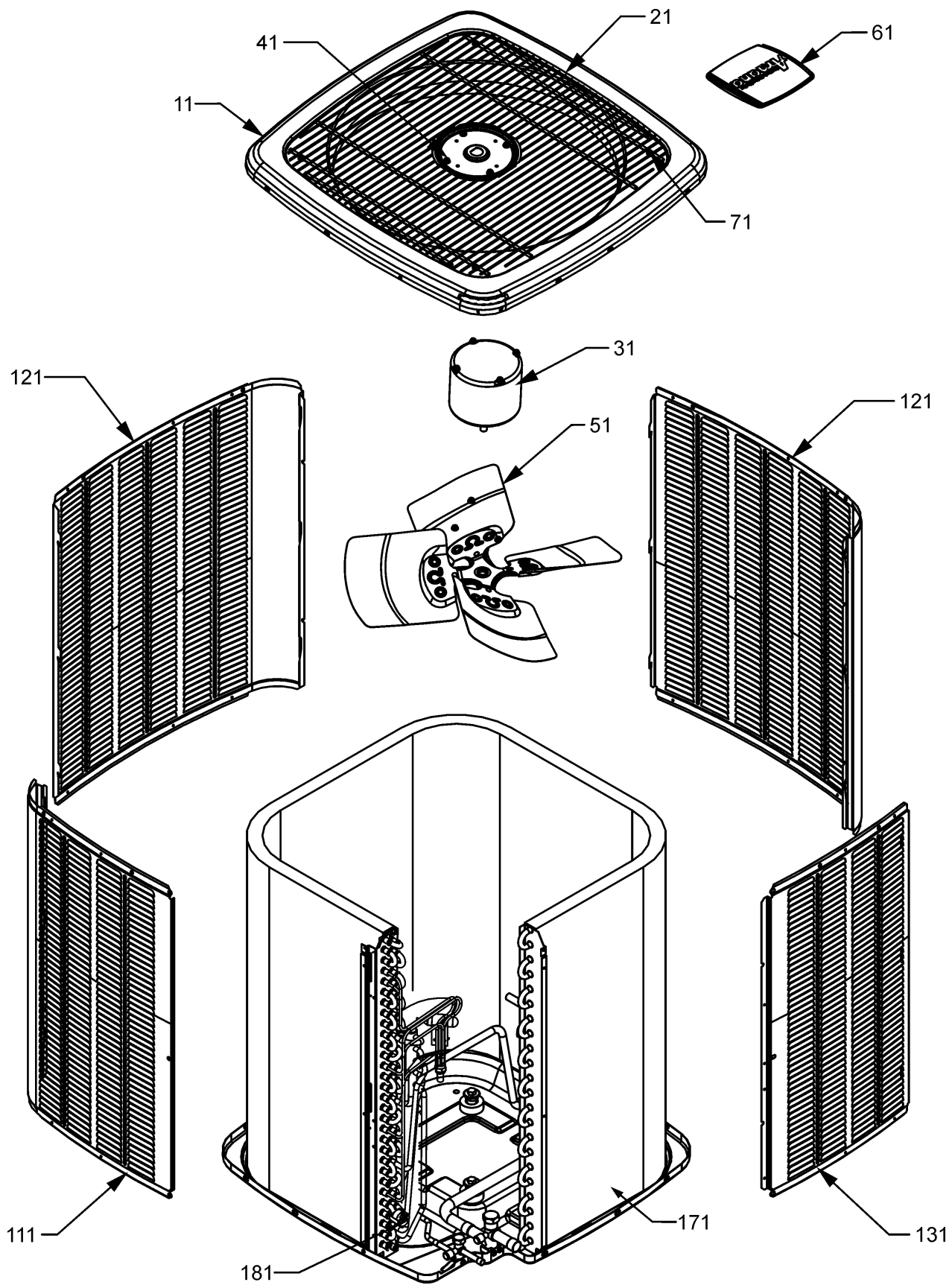
Image 1:

81	0121R00053PDG	CONTROL COVER			
91	0121R00154PDG	PANEL, LOWER ACCESS PNT (M7, M8, M9, M10, M11, M12, M16, M17)			
91	0121R00328PDG	PANEL, LOWER ACCESS PNT (M13, M14, M15)			
91	0121R00625PDG	PANEL, LOWER ACCESS PNT (M1, M2, M3, M4, M5, M6, M18, M19, M20, M21, M22)			
141	CONT1P025024V	CONTACTOR 25 AMP, 1P, 24V (M1, M2, M3, M4, M5, M6, M7, M8, M9, M10, M11, M12, M13, M14, M15)			
141	CONT1P030024V	CONTACTOR 30 AMP, 1P, 24V (M16, M17, M18, M19, M20, M21, M22)			
151	571006700	CORE SENSE MODULE			
171	PCBDM133	DEFROST CONTROL BOARD			
191	4400065	CAPACITOR STRAP			
201	CAP050300440CS	CAP,5/30MFD/440V/DUAL RD (M1, M2, M3)			
201	CAP050350440CS	CAPACITOR 5/35/440V (M4, M5, M6, M7, M8, M9)			
201	CAP050450440CT	CAPACITOR 5/45/440V/DUAL RD (M10, M11, M12, M13, M14, M15, M16, M17, M18, M19, M20)			
201	CAP050700440CT	CAPACITOR 5/70/440V/DUAL RD (M21, M22)			
NS	0161R00010P	AMANA NAMEPLATE			

Expanded Model Nomenclature

- M1 - ASZ140181KA
- M2 - ASZ140181KC
- M3 - ASZ140181KD
- M4 - ASZ140241KA
- M5 - ASZ140241KB
- M6 - ASZ140241KC
- M7 - ASZ140301KA
- M8 - ASZ140301KB
- M9 - ASZ140301KC
- M10 - ASZ140361KA
- M11 - ASZ140361KB
- M12 - ASZ140361KC
- M13 - ASZ140421KA
- M14 - ASZ140421KB
- M15 - ASZ140421KC
- M16 - ASZ140481KA
- M17 - ASZ140481KB
- M18 - ASZ140491KA
- M19 - ASZ140491KB
- M20 - ASZ140491KC
- M21 - ASZ140601KA
- M22 - ASZ140601KB

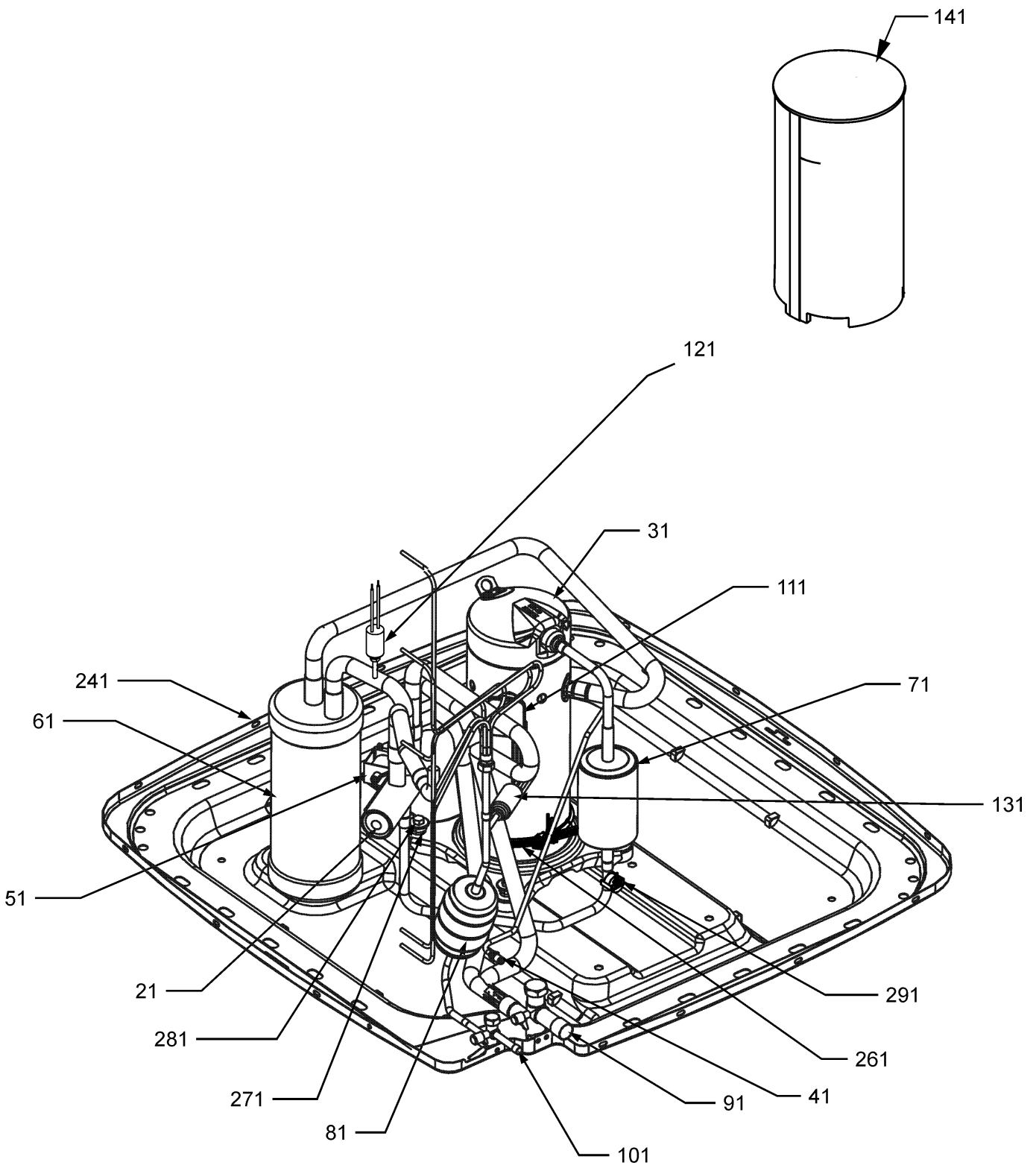
Top Panel / Condenser Assembly



Top Panel / Condenser Assembly

Ref. Part No:	No:	Description:	Ref. Part No:	No:	Description:
Image 1:			Image 1:		
11	0121R00576PDG	TOP PANEL PAINTED, 29" (M1, M2, M3, M4, M5, M6, M7, M8, M9, M10, M11, M12, M16, M17)	NS	0161R00004P	CONDUIT (M13, M14, M15, M18, M19, M20, M21, M22)
11	0121R00577PDG	TOP PANEL PAINTED, 35" (M13, M14, M15, M18, M19, M20, M21, M22)	NS	B1789872	FLOW CHECK PISTON KIT (M10, M11, M12)
21	0152R00015	GRILLE, WIRE 29" TOP (M1, M2, M3, M4, M5, M6, M7, M8, M9, M10, M11, M12, M16, M17)	NS	B1789851	FLOW CHECK PISTON KIT .051 (M2, M3)
21	0152R00016	GRILLE, WIRE 35" TOP (M13, M14, M15, M18, M19, M20, M21, M22)	NS	B1789857	FLOW CHECK PISTON KIT .057 (M4, M5, M6)
31	0131M00061	COND MOTOR 1/4 HP, 1 SP, 8 PL (M13, M16, M17, M18, M21, M22)	NS	B1789865	FLOW CHECK PISTON KIT .065 (M7, M8, M9)
31	0131M00060	COND MOTOR 1/6 HP, 1 SP, 8 PL (M1, M4, M5, M7, M8, M10, M11)	NS	B1789878	FLOW CHECK PISTON KIT .078 (M14, M15)
31	0131M00753	COND MOTOR, 1/6HP, 1SP, 8PL, AL (M2, M3, M6, M9, M12)	NS	B1789880	FLOW CHECK PISTON KIT .080 (M16, M17, M19, M20)
31	0131M00754	COND MOTOR, PSC, 1/6HP, 8PL (M14, M15, M19, M20)	NS	B1789888	FLOW CHECK PISTON KIT .088 (M21, M22)
41	M0280801	HEX NUT (QTY 4)	NS	0161R00048	MOLDED RING-VENTURI 22 (M1, M2, M3, M4, M5, M6, M7, M8, M9, M10, M11, M12, M16, M17)
41	B1787000	VALVE CORE	NS	0161R00049	MOLDED RING-VENTURI 26" (M13, M14, M15, M18, M19, M20, M21, M22)
51	10625738	FAN BLADE 26" ALUM CCW (M13, M14, M15, M18, M19, M20, M21, M22)	Expanded Model Nomenclature		
51	B1086764	FAN BLADE TYPE 2 (M1, M2, M3, M4, M5, M6, M7, M8, M9, M10, M11, M12)	M1 - ASZ140181KA		
51	B1086765	FAN BLADE TYPE 3 (M16, M17)	M2 - ASZ140181KC		
61	0161R00008P	AMANA LOGO CAP	M3 - ASZ140181KD		
71	0163M00003P	SCREW #10 X 1/2, A, SLOT, SR, BLACK (QTY 6)	M4 - ASZ140241KA		
111	0121R00580PLGB	LOUVERED SIDE PANEL [LT OF CNTL PNL] (M1, M2, M3, M4, M5, M6)	M5 - ASZ140241KB		
111	0121R00589PLGB	LOUVERED SIDE PANEL [LT OF CNTL PNL] (M7, M8, M9, M10, M11, M12, M16, M17)	M6 - ASZ140241KC		
111	0121R00598PLGB	LOUVERED SIDE PANEL [LT OF CNTL PNL] (M18, M19, M20, M21, M22)	M7 - ASZ140301KA		
111	0121R00601PLGB	LOUVERED SIDE PANEL [LT OF CNTL PNL] (M13, M14, M15)	M8 - ASZ140301KB		
121	0121R00514PLGB	LOUVERED SIDE PANEL (M13, M14, M15)	M9 - ASZ140301KC		
121	0121R00581PLGB	LOUVERED SIDE PANEL (M1, M2, M3, M4, M5, M6)	M10 - ASZ140361KA		
121	0121R00590PLGB	LOUVERED SIDE PANEL (M7, M8, M9, M10, M11, M12, M16, M17)	M11 - ASZ140361KB		
121	0121R00599PLGB	LOUVERED SIDE PANEL (M18, M19, M20, M21, M22)	M12 - ASZ140361KC		
131	0121R00582PLG	LOUVERED SIDE PANEL [RT OF CNTL PNL] (M1, M2, M3, M4, M5, M6)	M13 - ASZ140421KA		
131	0121R00591PLG	LOUVERED SIDE PANEL [RT OF CNTL PNL] (M7, M8, M9, M10, M11, M12, M16, M17)	M14 - ASZ140421KB		
131	0121R00600PLG	LOUVERED SIDE PANEL [RT OF CNTL PNL] (M18, M19, M20, M21, M22)	M15 - ASZ140421KC		
131	0121R00603PLG	LOUVERED SIDE PANEL [RT OF CNTL PNL] (M13, M14, M15)	M16 - ASZ140481KA		
171	0201R00515	COIL TUBING ASSY (M13, M14, M15)	M17 - ASZ140481KB		
171	0201R00567	COIL TUBING ASSY (M18, M19, M20, M21, M22)	M18 - ASZ140491KA		
171	0201R00581	COIL TUBING ASSY (M16, M17)	M19 - ASZ140491KB		
171	0201R00668	COIL TUBING ASSY (M1, M2, M3)	M20 - ASZ140491KC		
171	0201R00669	COIL TUBING ASSY (M4, M5, M6)	M21 - ASZ140601KA		
171	0201R00670	COIL TUBING ASSY (M7, M8, M9)	M22 - ASZ140601KB		
171	0201R00671	COIL TUBING ASSY (M10, M11, M12)			
181	0130M00250	CONTROL, DEFROST			
NS	0161R00002P	CONDUIT (M1, M2, M3, M4, M5, M6, M7, M8, M9, M10, M11, M12, M16, M17)			

Compressor / Tubing Assembly



Compressor / Tubing Assembly

Ref. Part No: No:	Description:	Ref. Part No: No:	Description:
<i>Image 1:</i>		Expanded Model Nomenclature	
21	0151R00068	REVERSING VALVE (M1, M2, M3, M4, M5, M6)	M1 - ASZ140181KA
21	0151R00069	REVERSING VALVE (M7, M8, M9, M10, M11, M12)	M2 - ASZ140181KC
21	0151R00071	REVERSING VALVE (M13, M14, M15, M16, M17, M18, M19, M20, M21, M22)	M3 - ASZ140181KD
31	ZP14K6EPFV130	COMP, 14,000,208/230/60/1 (M1, M2, M3)	M4 - ASZ140241KA
31	ZP20K6EPFV130	COMP, 20,000,208/230/60/1 (M4, M5, M6)	M5 - ASZ140241KB
31	ZP34K6EPFV130	COMP, 46500, 208/230/60/1 (M13, M14, M15)	M6 - ASZ140241KC
31	ZP40K6EPFV130	COMP, 53700, 208/230/60/1 (M16, M17)	M7 - ASZ140301KA
31	ZP25K6EPFV130	COMP,34200,208/230/60/1 (M7, M8, M9)	M8 - ASZ140301KB
31	ZP31K6EPFV130	COMP,42500,208/230/60/1 (M10, M11, M12)	M9 - ASZ140301KC
31	ZP39K5EPFV130	COMPRESSOR 39000, 208/230/60/1 (M18, M19, M20)	M10 - ASZ140361KA
31	ZP51K5EPFV130	COMPRESSOR 51000, 208/230/60/1 (M21, M22)	M11 - ASZ140361KB
41	0163M00175	CAP WITH O-RING	M12 - ASZ140361KC
51	0130M00083	REVERSING VALVE HARNESS	M13 - ASZ140421KA
61	0151L00008	ACCUMULATOR (M10, M11, M12)	M14 - ASZ140421KB
61	0151R00004P	ACCUMULATOR .750 (M1, M2, M3, M4, M5, M6, M7, M8, M9)	M15 - ASZ140421KC
61	B1226207	ACCUMULATOR .875 (M13, M14, M15, M16, M17, M18, M19, M20, M21, M22)	M16 - ASZ140481KA
71	0162R00007	MUFFLER 1/2 X 1/2	M17 - ASZ140481KB
81	20485201	BI-FLOW FILTER DRIER	M18 - ASZ140491KA
91	0151R00079	BASE VALVE 3/4" (M1, M2, M3, M4, M5, M6, M7, M8, M9, M10, M11, M12)	M19 - ASZ140491KB
91	0151R00080	BASE VALVE 7/8" (M13, M14, M15, M16, M17, M18, M19, M20, M21, M22)	M20 - ASZ140491KC
101	0151R00078	BASE VALVE 3/8"	M21 - ASZ140601KA
111	0159R00001P	COMPRESSOR SCROLL HARNESS (M1, M2, M3, M4, M5, M6, M7, M8, M9, M10, M11, M12, M16, M17)	M22 - ASZ140601KB
111	0159R00002P	COMPRESSOR SCROLL HARNESS (M13, M14, M15, M18, M19, M20, M21, M22)	
121	0130M00088	CUT-OUT SWITCH, LOW PRESSURE	
131	0130R00003	CUT-OUT SWITCH, HIGH PRESSURE	
141	B1488807	COMPRESSOR SOUND BLANKET (M13, M14, M15, M16, M17, M18, M19, M20, M21, M22)	
141	B1488810	COMPRESSOR SOUND BLANKET (M1, M2, M3, M4, M5, M6, M7, M8, M9, M10, M11, M12)	
241	0121R00006PDG	BASE PAN 29" (M1, M2, M3, M4, M5, M6, M7, M8, M9, M10, M11, M12, M16, M17)	
241	0121R00007PDG	BASE PAN 35" (M13, M14, M15, M18, M19, M20, M21, M22)	
261	0163R00006	HEATER, CRANKCASE 230V, 40W (M1, M2, M3, M4, M5, M6, M7, M8, M9, M10, M11, M12)	
261	0163R00007	HEATER, CRANKCASE 230V, 40W (M13, M14, M15, M16, M17, M18, M19, M20, M21, M22)	
271	B1339533	COMPRESSOR GROMMET (QTY 4)	
281	M0221641	TF SHOULDER SCREW (QTY 4)	
291	0130M00106	DISC THERMOSTAT(CRNKCS HTR SW)	
NS			
NS	0130M00083	REVERSING VALVE HARNESS	
NS	B1225022	SOLENOID COIL	