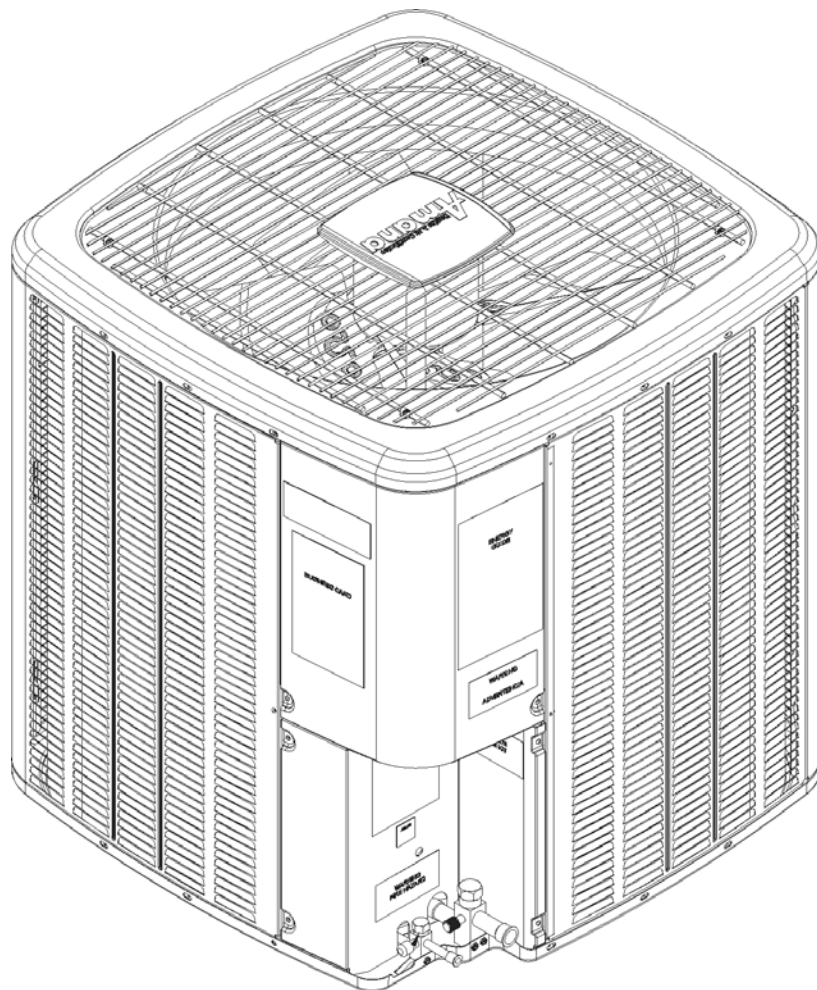


ASZ14 Remote Heat Pump

ASZ140181BA

ASZ140241BA

ASZ140301BA



Amana is a registered trademark of Maytag Corporation or its related companies and is used under license to Goodman Company, L.P., Houston, TX. All rights reserved.

This manual is to be used by qualified technicians only.

Important Information

Index

| | |
|------------------------------|-------|
| Functional Parts List | 3 |
| Illustration and Parts | 4 - 9 |

Views shown are for parts illustrations only, not servicing procedures

Text Codes:

AR - As Required

NA - Not Available

NS - Not Shown

00000000 - See Note

QTY - Quantity Example (QTY 3) (If Quantity not shown, Quantity = 1)

M - Model Example (M1) (If M Code not shown, then part is used on all Models)

Expanded Model Nomenclature:

| |
|---|
| Example M1 - Model#1 M2 - Model#2 M3 - Model#3 |
|---|

Goodman Company, L.P. is not responsible for personal injury or property damage resulting from improper service. Review all service information before beginning repairs.

Warranty service must be performed by an authorized technician, using authorized factory parts. If service is required after the warranty expires, Goodman Company, L.P. also recommends contacting an authorized technician and using authorized factory parts.

Goodman Company, L.P. reserves the right to discontinue, or change at any time, specifications or designs without notice or without incurring obligations.

For assistance within the U.S.A. contact:

Consumer Affairs Department

Goodman Company, L.P.

7401 Security Way

Houston, Texas 77040

877-254-4729-Telephone

713-863-2382-Facsimile

For assistance outside the U.S.A. contact:

International Division

Goodman Company, L.P.

7401 Security Way

Houston, Texas 77040

713-861-2500-Telephone

713-863-2382-Facsimile

Functional Parts

Part

No: **Description:**

| | |
|----------------|--|
| B12825171 | 3/8" SERVICE VALVE |
| 10625737 | BLADE-FAN 22" ALUM CCW (M1) |
| CAP050300440RS | CAPACITOR 5/30/370V (M1) |
| CAP050400440CT | CAPACITOR 5/40/440V/DUAL RD (M2, M3) |
| ZP16K5EPFV130 | COMPRESSOR 15500, 208/230/60/1 (M1) |
| ZP21K5EPFV130 | COMPRESSOR 21300, 208/230/60/1 (M2) |
| ZP25K5EPFV130 | COMPRESSOR 25200, 208/230/60/1 (M3) |
| 0131M00060 | COND MOTOR 1/6 HP, 1 SP, 8 PL (M2, M3) |
| 0131M00266 | COND MOTOR 1/8 HP, 8 PL, PSC (M1) |
| CONT1P025024V | CONTACTOR 25 AMP, 1P, 24V |
| 0130M00105 | CONTROL, DEFROST |
| 571006700 | CORE SENSE MODULE |
| 0130R00003 | CUT-OUT SWITCH, HIGH PRESSURE |
| 0130M00088 | CUT-OUT SWITCH, LOW PRESSURE |
| PCBDM133 | DEFROST CONTROL BOARD |
| 0130M00106 | DISC THERMOSTAT CRNKCS HTR SW |
| 0150M00008 | FAN BLADE 22" TNT2203-25 (M2, M3) |
| 0163R00006 | HEATER, CRANKCASE 230V, 40W |
| 0151R00069 | REVERSING VALVE (M3) |
| 0151R00068 | REVERSING VALVE (M1, M2) |
| 0151R00032 | VALVE, BASE 3/4" OPEN LEFT |

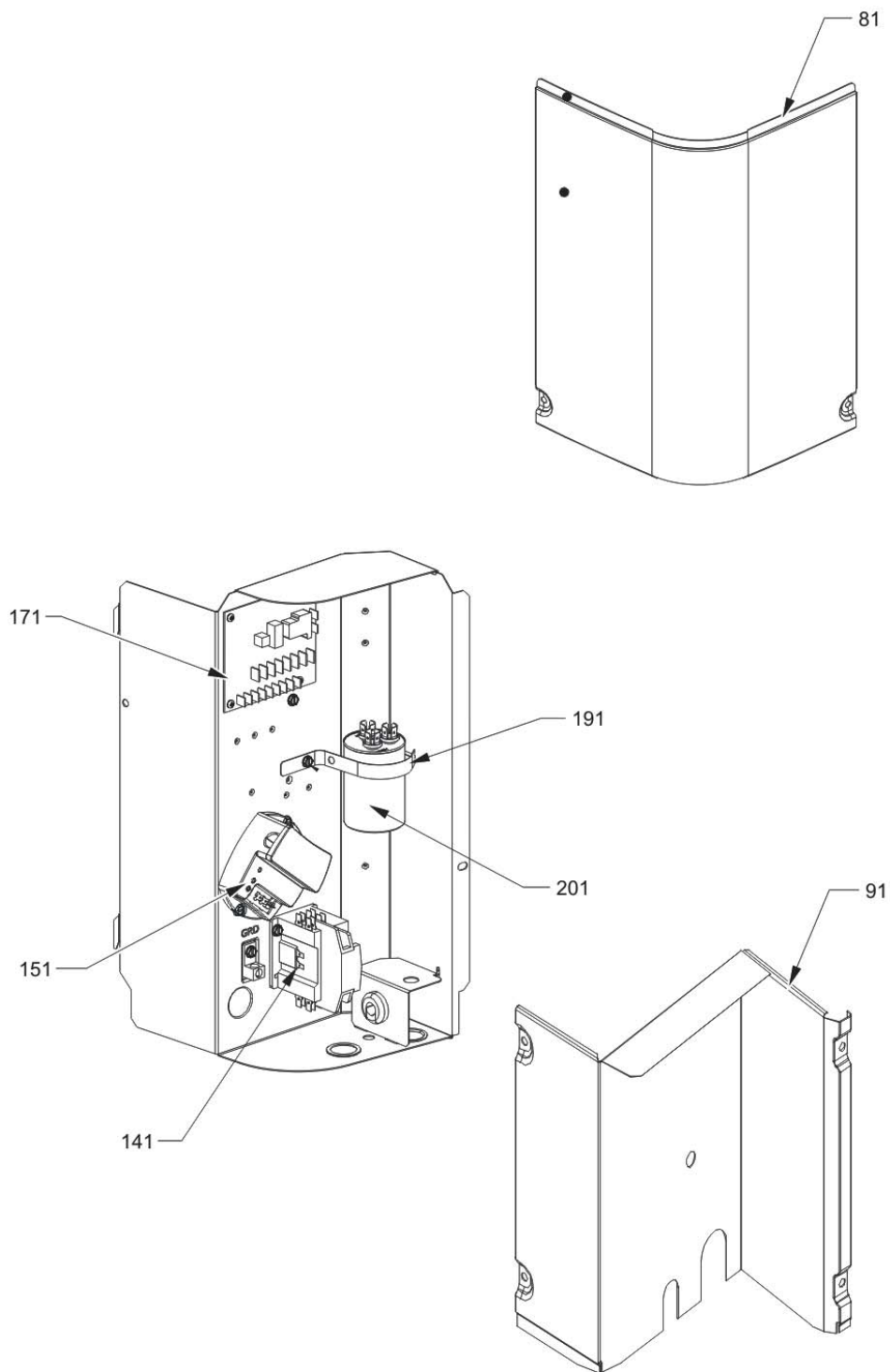
SPECIAL PARTS

| | |
|-------------|-----------------|
| 0161R00008P | AMANA LOGO CAP |
| 0161R00010P | AMANA NAMEPLATE |

Expanded Model Nomenclature

| |
|------------------|
| M1 - ASZ140181BA |
| M2 - ASZ140241BA |
| M3 - ASZ140301BA |

Control Panel Assembly



Control Panel Assembly

| Ref. Part No: | Description: | Ref. Part No: | Description: |
|---------------|--------------|---------------|--------------|
|---------------|--------------|---------------|--------------|

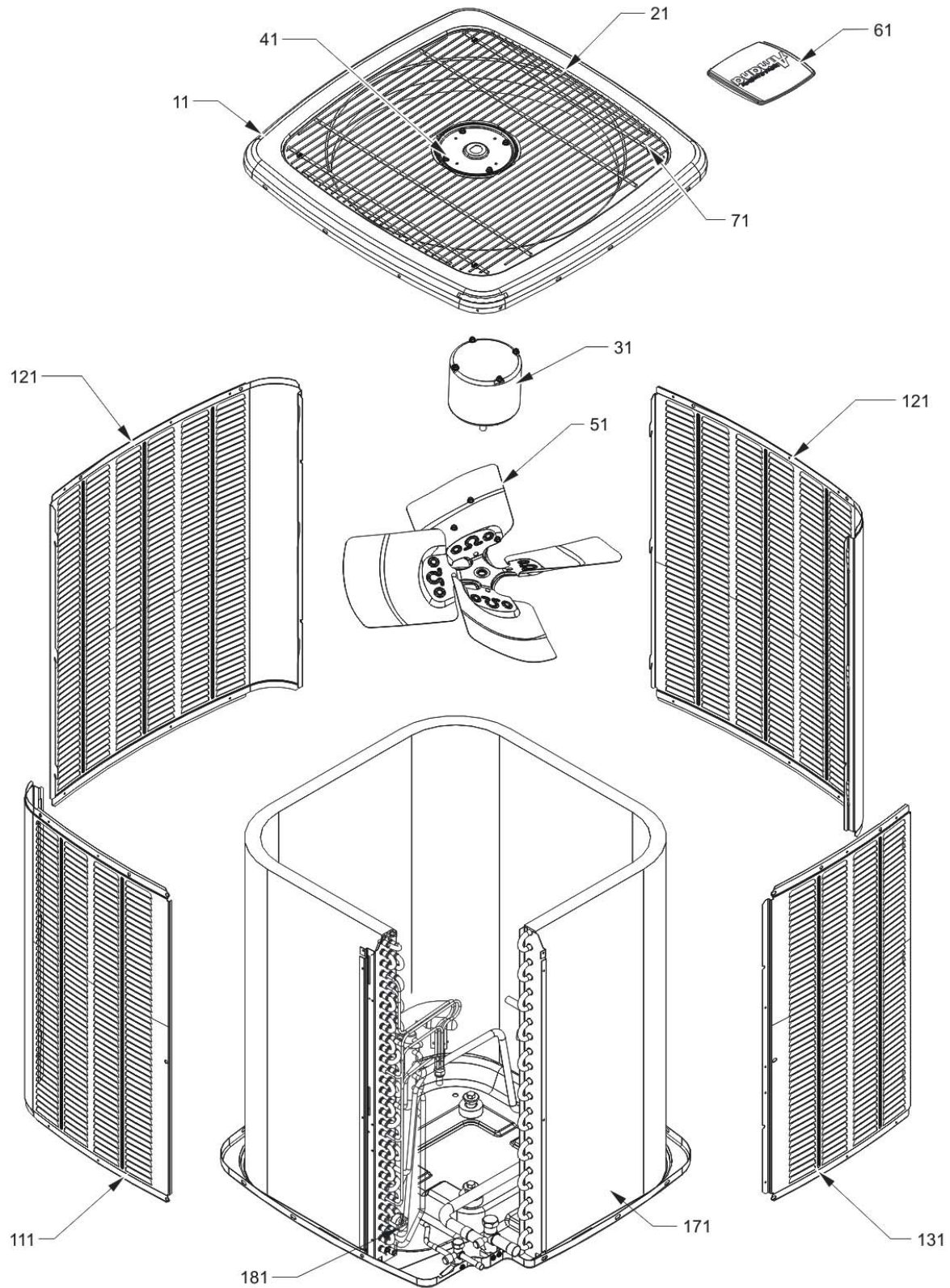
Image 1:

| | | |
|-----|----------------|--------------------------------------|
| 81 | 0121R00053 | CONTROL COVER, SMALL |
| 91 | 0121R00318PDG | PANEL, LOWER ACCESS PNT (M2, M3) |
| 91 | 0121R00321PDG | PANEL, LOWER ACCESS PNT (M1) |
| 141 | CONT1P025024V | CONTACTOR 25 AMP, 1P, 24V |
| 151 | 571006700 | CORE SENSE MODULE |
| 171 | PCBDM133 | DEFROST CONTROL BOARD |
| 191 | 4400065 | CAPACITOR STRAP |
| 201 | CAP050300440RS | CAPACITOR 5/30/370V (M1) |
| 201 | CAP050400440CT | CAPACITOR 5/40/440V/DUAL RD (M2, M3) |
| NS | 0161R00010P | AMANA NAMEPLATE |

Expanded Model Nomenclature

| |
|------------------|
| M1 - ASZ140181BA |
| M2 - ASZ140241BA |
| M3 - ASZ140301BA |

Top Panel / Condenser Assembly



Top Panel / Condenser Assembly

| Ref. Part No: No: | Description: | Ref. Part No: No: | Description: |
|-------------------|--------------|-------------------|--------------|
|-------------------|--------------|-------------------|--------------|

Image 1:

| | | |
|-----|---------------|---|
| 11 | 0121R00011PDG | VENTURI TOP PANEL 29" |
| 21 | 0152R00011 | GRILLE, WIRE 29" TOP |
| 31 | 0131M00060 | COND MOTOR 1/6 HP, 1 SP, 8 PL (M2, M3) |
| 31 | 0131M00266 | COND MOTOR 1/8 HP, 8 PL, PSC (M1) |
| 41 | M0280801 | HEX NUT (QTY 4) |
| 41 | B1787000 | VALVE CORE |
| 51 | 10625737 | BLADE-FAN 22" ALUM CCW (M1) |
| 51 | 0150M00008 | FAN BLADE 22" TNT2203-25 (M2, M3) |
| 61 | 0161R00008P | AMANA LOGO CAP |
| 71 | 0163M00003P | SCREW #10 X 1/2, A, SLOT, SR, BLACK (QTY 6) |
| 81 | 0121R00053PDG | CONTROL COVER |
| 111 | 4400457PLGB | LOUVERED SIDE PANEL [LT OF CNTL PNL] (M1) |
| 111 | 4400458PLGB | LOUVERED SIDE PANEL [LT OF CNTL PNL] (M2, M3) |
| 121 | 4400459PLGB | LOUVERED SIDE PANEL (M1) |
| 121 | 4400460PLGB | LOUVERED SIDE PANEL 29_36 (M2, M3) |
| 131 | 4400461PLG | LOUVERED SIDE PANEL [RT OF CNTL PNL] (M1) |
| 131 | 4400462PLG | LOUVERED SIDE PANEL [RT OF CNTL PNL] (M2, M3) |
| 171 | 0201R00061 | TUBING ASSY, COND COIL (M2) |
| 171 | 0201R00062 | TUBING ASSY, COND COIL (M3) |
| 171 | 0201R00071 | TUBING ASSY, COND COIL (M1) |
| 181 | 0130M00105 | CONTROL, DEFROST |
| NS | 0161R00002P | CONDUIT |

Expanded Model Nomenclature

| |
|------------------|
| M1 - ASZ140181BA |
| M2 - ASZ140241BA |
| M3 - ASZ140301BA |

Compressor / Tubing Assembly

| Ref. Part No: No: | Description: | Ref. Part No: No: | Description: |
|-------------------|---------------|-------------------|-------------------------------------|
| Image 1: | | | |
| 21 | 0151R00068 | | REVERSING VALVE (M1, M2) |
| 21 | 0151R00069 | | REVERSING VALVE (M3) |
| 31 | ZP16K5EPFV130 | | COMPRESSOR 15500, 208/230/60/1 (M1) |
| 31 | ZP21K5EPFV130 | | COMPRESSOR 21300, 208/230/60/1 (M2) |
| 31 | ZP25K5EPFV130 | | COMPRESSOR 25200, 208/230/60/1 (M3) |
| 41 | 0163M00175 | | CAP WITH O-RING |
| 51 | 0130M00083 | | REVERSING VALVE HARNESS |
| 61 | 0151R00004P | | ACCUMULATOR .750 |
| 71 | 0162R00007 | | MUFFLER 1/2 X 1/2 |
| 81 | 20485201 | | BI-FLOW FILTER DRIER |
| 91 | 0151R00032 | | VALVE, BASE 3/4" OPEN LEFT |
| 101 | B12825171 | | 3/8" SERVICE VALVE |
| 111 | 0159R00001P | | COMPRESSOR SCROLL HARNESS |
| 121 | 0130M00088 | | CUT-OUT SWITCH, LOW PRESSURE |
| 131 | 0130R00003 | | CUT-OUT SWITCH, HIGH PRESSURE |
| 141 | B1488810 | | COMPRESSOR SOUND BLANKET |
| 241 | 0121R00006PDG | | BASE PAN 29" |
| 261 | 0163R00006 | | HEATER, CRANKCASE 230V, 40W |
| 271 | B1339533 | | COMPRESSOR GROMMET (QTY 4) |
| 281 | M0221641 | | TF SHOULDER SCREW (QTY 4) |
| NS | 0130M00106 | | DISC THERMOSTAT CRNKCS HTR SW |

Expanded Model Nomenclature

M1 - ASZ140181BA

M2 - ASZ140241BA

M3 - ASZ140301BA