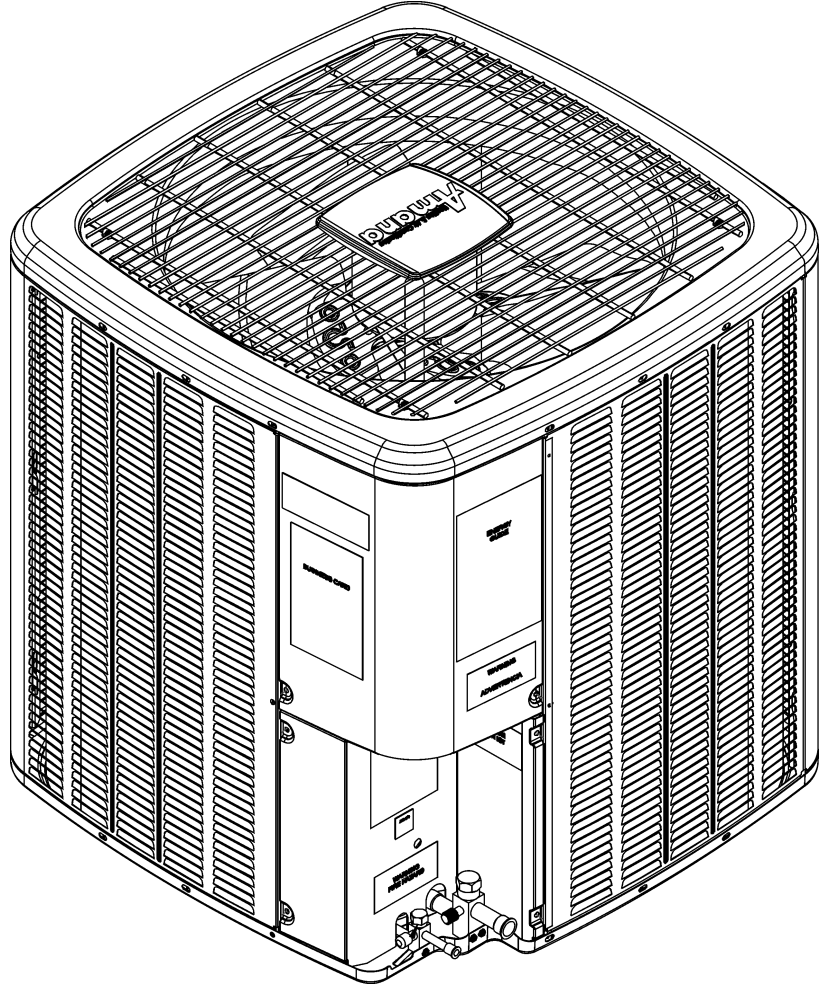


ASZ13 Remote Heat Pump

ASZ130181AB
ASZ130181AC
ASZ130181AD
ASZ130181AE
ASZ130241AC
ASZ130241AD
ASZ130241AE
ASZ130241AF
ASZ130301AC
ASZ130301AD
ASZ130301AE
ASZ130301AF
ASZ130361AB
ASZ130361AC
ASZ130361AD
ASZ130361AE
ASZ130421AB
ASZ130421AC
ASZ130421AD
ASZ130421AE
ASZ130481AB
ASZ130481AC
ASZ130481AD
ASZ130481AE
ASZ130481AF
ASZ130601AB
ASZ130601AC
ASZ130601AD
ASZ130601AE



Amana is a registered trademark of Maytag Corporation or its related companies and is used under license to Goodman Company, L.P., Houston, TX. All rights reserved.

This manual is to be used by qualified technicians only.

This manual replaces RP-650C.

© 2011-2012,2014 Goodman Company, L.P. ♦ 5151 San Felipe St., Suite 500 ♦ Houston, TX 77056

Important Information

Index

Functional Parts List	3
Illustration and Parts	4 - 9

Views shown are for parts illustrations only, not servicing procedures

Rev D: reversing valve switch from Ranco to SanHua

Text Codes:

AR - As Required

NA - Not Available

NS - Not Shown

00000000 - See Note

QTY - Quantity Example (QTY 3) (If Quantity not shown, Quantity = 1)

M - Model Example (M1) (If M Code not shown, then part is used on all Models)

Expanded Model Nomenclature:

Example M1 - Model#1 M2 - Model#2 M3 - Model#3

Goodman Company, L.P. is not responsible for personal injury or property damage resulting from improper service. Review all service information before beginning repairs.

Warranty service must be performed by an authorized technician, using authorized factory parts. If service is required after the warranty expires, Goodman Company, L.P. also recommends contacting an authorized technician and using authorized factory parts.

Goodman Company, L.P. reserves the right to discontinue, or change at any time, specifications or designs without notice or without incurring obligations.

For assistance within the U.S.A. contact:

Consumer Affairs Department
Goodman Company, L.P.
7401 Security Way
Houston, Texas 77040
877-254-4729-Telephone
713-863-2382-Facsimile

For assistance outside the U.S.A. contact:

International Division
Goodman Company, L.P.
7401 Security Way
Houston, Texas 77040
713-861-2500-Telephone
713-863-2382-Facsimile

Functional Parts

Part

No: Description:

B12825171	3/8" SERVICE VALVE
CAP050400440RTP	CAP, 5/40 MFD/440V/DUAL RD (M5, M6, M7, M8, M9, M10, M11, M12)
CAP050450440RTP	CAP, 5/45 MFD/440V/DUAL RD (M13, M14, M15, M16, M17, M18, M19, M20, M21, M22, M23, M24, M25)
CAP050700440RTP	CAP, 5/70 MFD/440V/DUAL RD (M26, M27, M28, M29)
CAP050300440RS	CAPACITOR 5/30/440V (M1, M2, M3, M4)
ZP16K5EPFV130	COMPRESSOR 15500, 208/230/60/1 (M1, M2, M3, M4)
ZP21K5EPFV130	COMPRESSOR 21300, 208/230/60/1 (M5, M6, M7, M8)
ZP25K5EPFV130	COMPRESSOR 25200, 208/230/60/1 (M9, M10, M11, M12)
ZP31K5EPFV130	COMPRESSOR 31100, 208/230/60/1 (M13, M14, M15, M16)
ZP36K5EPFV130	COMPRESSOR 36200, 208/230/60/1 (M17, M18, M19, M20)
ZP39K5EPFV130	COMPRESSOR 39000, 208/230/60/1 (M21, M22, M23, M24, M25)
ZP51K5EPFV130	COMPRESSOR 51000, 208/230/60/1 (M26, M27, M28, M29)
0131M00061	COND MOTOR 1/4 HP, 1 SP, 8 PL (M23, M24, M25, M28, M29)
0131M00015P	COND MOTOR 1/4 HP, 2 SP, 8 PL (M13, M14, M17, M18, M21, M22, M26, M27)
0131M00016P	COND MOTOR 1/6 HP, 1 SP, 8 PL (M15, M16, M19, M20)
0131M00266	COND PSC MOTOR 1/8 HP 8 PL (M3, M4, M7, M8, M11, M12)
CONT1P025024V	CONTACTOR 25 AMP, 1P, 24V (M1, M2, M3, M4, M5, M6, M7, M8, M9, M10, M11, M12, M13, M14, M15, M16, M17, M18, M19, M20)
CONT1P030024V	CONTACTOR 30 AMP, 1P, 24V (M21, M22, M23, M24, M25, M26, M27, M28, M29)
571006700	CORE SENSE MODULE
PCBDM133	DEFROST CONTROL BOARD
0130M00106	DISC THERMOSTAT CRNKCS HTR SW
0150M00018	FAN BLADE 20" (M1, M2, M3, M4, M5, M6, M7, M8)
0150M00012	FAN BLADE 20" CCW (M9, M10, M11, M12)
0150M00008	FAN BLADE 22" TNT2203-25 (M13, M14, M15, M16, M17, M18, M19, M20)
0150M00013	FAN BLADE 26" CCW (M26, M27, M28, M29)
B1086765	FAN BLADE TYPE 3 (M21, M22, M23, M24, M25)
0163R00007	HEATER, CRANKCASE 230V, 40W (M17, M18, M19, M20, M21, M22, M23, M24, M25, M26, M27, M28, M29)
0163R00006	HEATER, CRANKCASE 230V, 40W (M1, M2, M3, M4, M5, M6, M7, M8, M9, M10, M11, M12, M13, M14, M15, M16)
0130M00089	HIGH PRESSURE SWITCH (M1, M5, M9, M13, M17, M21, M26)
0130R00003	HIGH PRESSURE SWITCH (M2, M3, M4, M6, M7, M8, M10, M11, M12, M14, M15, M16, M18, M19, M20, M22, M23, M24, M25, M27, M28, M29)
0130M00088	LOW PRESSURE SWITCH
0131M00017P	MOTOR, FAN 1/6 HP, 8 PL, 2 SP (M1, M2, M5, M6, M9, M10)
10135604	RELAY (M1, M2, M5, M6, M9, M10, M13, M14, M17, M18, M21, M22, M26, M27)
B1225022	SOLENOID COIL
0151R00032	VALVE, BASE 3/4" OPEN LEFT (M1, M2, M3, M4, M5, M6, M7, M8, M9, M10, M11, M12, M13, M14, M15, M16)

0151R00033 VALVE, BASE 7/8" OPEN LEFT (M17, M18, M19, M20, M21, M22, M23, M24, M25, M26, M27, M28, M29)

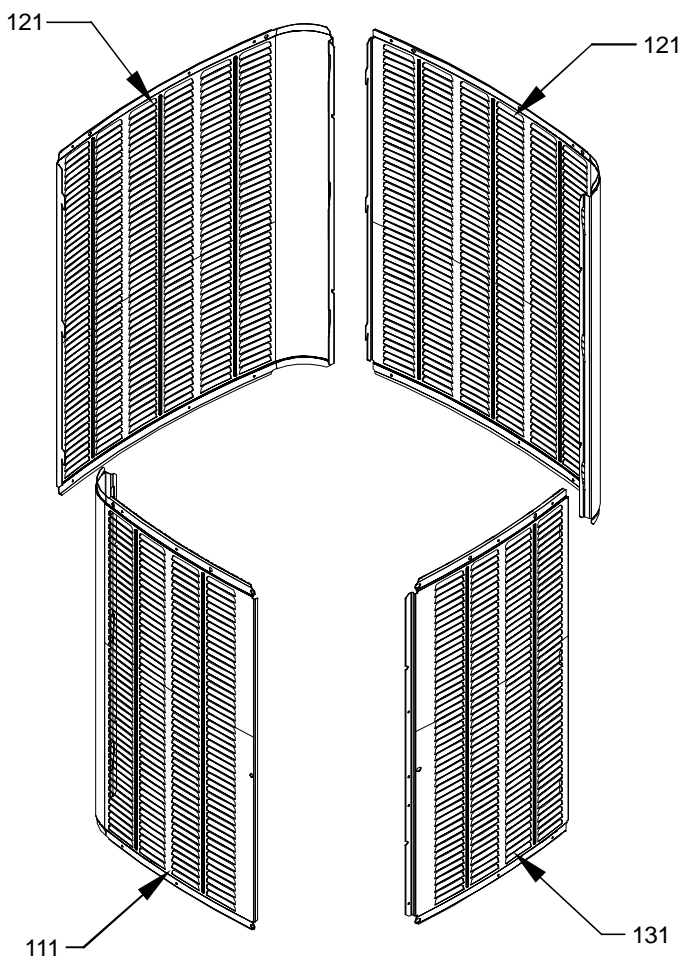
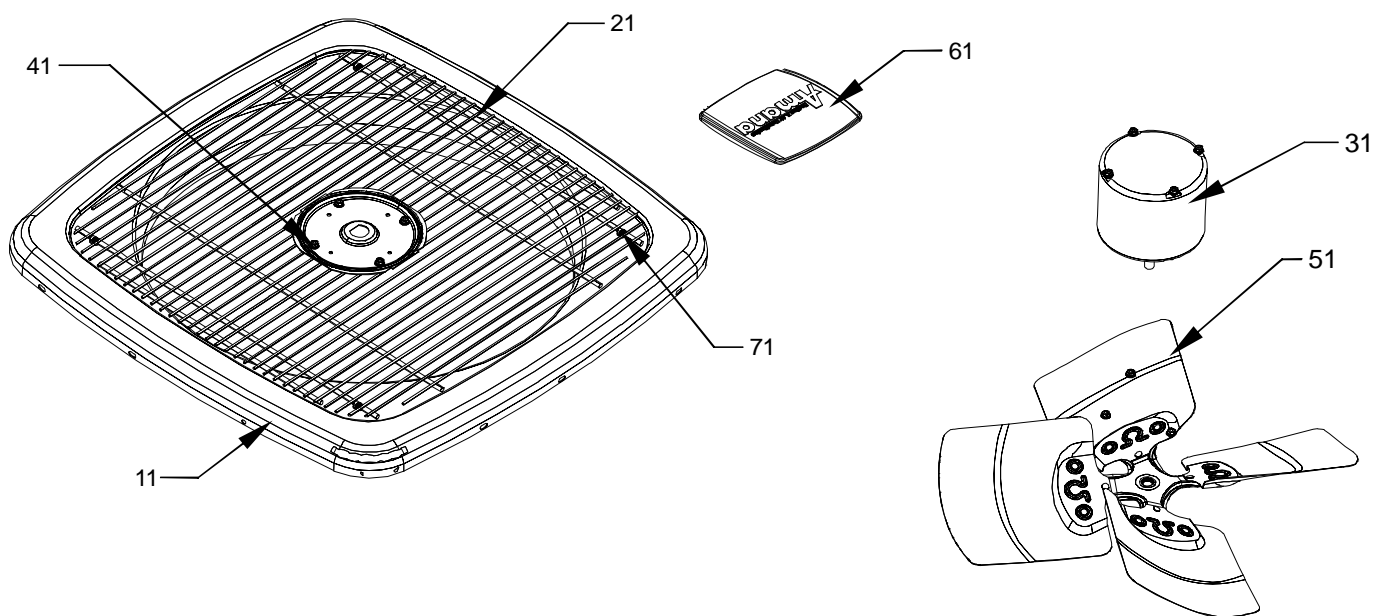
SPECIAL PARTS

0161R00008P	AMANA LOGO CAP
0161R00010P	AMANA NAMEPLATE
B1789849	FLOW CHECK PISTON KIT .049 (M1, M2, M3)
B1789851	FLOW CHECK PISTON KIT .051 (M4)
B1789857	FLOW CHECK PISTON KIT .057 (M5, M6, M7, M8)
B1789863	FLOW CHECK PISTON KIT .063 (M9, M10, M11)
B1789868	FLOW CHECK PISTON KIT .068 (M13, M14, M15, M16)
B1789874	FLOW CHECK PISTON KIT .074 (M17, M18, M19, M20)
B1789878	FLOW CHECK PISTON KIT .078 (M21, M22, M23, M24, M25)
B1789888	FLOW CHECK PISTON KIT .088 (M26, M27, M28, M29)

Expanded Model Nomenclature

M1 - ASZ130181AB
M2 - ASZ130181AC
M3 - ASZ130181AD
M4 - ASZ130181AE
M5 - ASZ130241AC
M6 - ASZ130241AD
M7 - ASZ130241AE
M8 - ASZ130241AF
M9 - ASZ130301AC
M10 - ASZ130301AD
M11 - ASZ130301AE
M12 - ASZ130301AF
M13 - ASZ130361AB
M14 - ASZ130361AC
M15 - ASZ130361AD
M16 - ASZ130361AE
M17 - ASZ130421AB
M18 - ASZ130421AC
M19 - ASZ130421AD
M20 - ASZ130421AE
M21 - ASZ130481AB
M22 - ASZ130481AC
M23 - ASZ130481AD
M24 - ASZ130481AE
M25 - ASZ130481AF
M26 - ASZ130601AB
M27 - ASZ130601AC
M28 - ASZ130601AD
M29 - ASZ130601AE

Cabinet Top / Side Panels



Cabinet Top / Side Panels

Ref. Part No: No:	Description:	Ref. Part No: No:	Description:
Image 1:		Expanded Model Nomenclature	
11	0121R00009PDG VENTURI TOP PANEL 26" (M1, M2, M3, M4, M5, M6, M7, M8, M9, M10, M11, M12)	M1 - ASZ130181AB	
11	0121R00011PDG VENTURI TOP PANEL 29" (M13, M14, M15, M16, M17, M18, M19, M20, M21, M22, M23, M24, M25)	M2 - ASZ130181AC	
11	0121R00013PDG VENTURI TOP PANEL 35" (M26, M27, M28, M29)	M3 - ASZ130181AD	
21	0152R00010 GRILLE, WIRE 26" TOP (M1, M2, M3, M4, M5, M6, M7, M8, M9, M10, M11, M12)	M4 - ASZ130181AE	
21	0152R00011 GRILLE, WIRE 29" TOP (M13, M14, M15, M16, M17, M18, M19, M20, M21, M22, M23, M24, M25)	M5 - ASZ130241AC	
21	0152R00014 GRILLE, WIRE 35" TOP (M26, M27, M28, M29)	M6 - ASZ130241AD	
31	0131M00061 COND MOTOR 1/4 HP, 1 SP, 8 PL (M23, M24, M25, M28, M29)	M7 - ASZ130241AE	
31	0131M00015P COND MOTOR 1/4 HP, 2 SP, 8 PL (M13, M14, M17, M18, M21, M22, M26, M27)	M8 - ASZ130241AF	
31	0131M00016P COND MOTOR 1/6 HP, 1 SP, 8 PL (M15, M16, M19, M20)	M9 - ASZ130301AC	
31	0131M00266 COND PSC MOTOR 1/8 HP 8 PL (M3, M4, M7, M8, M11, M12)	M10 - ASZ130301AD	
31	0131M00017P MOTOR, FAN 1/6 HP, 8 PL, 2 SP (M1, M2, M5, M6, M9, M10)	M11 - ASZ130301AE	
41	M0280801 HEX NUT (QTY 4)	M12 - ASZ130301AF	
51	0150M00018 FAN BLADE 20" (M1, M2, M3, M4, M5, M6, M7, M8)	M13 - ASZ130361AB	
51	0150M00012 FAN BLADE 20" CCW (M9, M10, M11, M12)	M14 - ASZ130361AC	
51	0150M00008 FAN BLADE 22" TNT2203-25 (M13, M14, M15, M16, M17, M18, M19, M20)	M15 - ASZ130361AD	
51	0150M00013 FAN BLADE 26" CCW (M26, M27, M28, M29)	M16 - ASZ130361AE	
51	B1086765 FAN BLADE TYPE 3 (M21, M22, M23, M24, M25)	M17 - ASZ130421AB	
61	0161R00008P AMANA LOGO CAP	M18 - ASZ130421AC	
71	0163M00003P SCREW #10 X 1/2, A, SLOT, SR, BLACK (QTY 4)	M19 - ASZ130421AD	
111	4400402PLGB LOUVERED SIDE PANEL [LT OF CNTL PNL] (M1, M2, M3, M4, M5, M6, M7, M8, M9, M10, M11, M12)	M20 - ASZ130421AE	
111	4400457PLGB LOUVERED SIDE PANEL [LT OF CNTL PNL] (M21, M22, M23, M24, M25)	M21 - ASZ130481AB	
111	4400458PLGB LOUVERED SIDE PANEL [LT OF CNTL PNL] (M13, M14, M15, M16, M17, M18, M19, M20)	M22 - ASZ130481AC	
111	4400463PLGB LOUVERED SIDE PANEL [LT OF CNTL PNL] (M26, M27, M28, M29)	M23 - ASZ130481AD	
121	4400407PLGB LOUVERED SIDE PANEL (M1, M2, M3, M4, M5, M6, M7, M8, M9, M10, M11, M12)	M24 - ASZ130481AE	
121	4400459PLGB LOUVERED SIDE PANEL (M21, M22, M23, M24, M25)	M25 - ASZ130481AF	
121	4400460PLGB LOUVERED SIDE PANEL (M13, M14, M15, M16, M17, M18, M19, M20)	M26 - ASZ130601AB	
121	4400465PLGB LOUVERED SIDE PANEL (M26, M27, M28, M29)	M27 - ASZ130601AC	
131	4400412PLG LOUVERED SIDE PANEL [RT OF CNTL PNL] (M1, M2, M3, M4, M5, M6, M7, M8, M9, M10, M11, M12)	M28 - ASZ130601AD	
131	4400461PLG LOUVERED SIDE PANEL [RT OF CNTL PNL] (M21, M22, M23, M24, M25)	M29 - ASZ130601AE	
131	4400462PLG LOUVERED SIDE PANEL [RT OF CNTL PNL] (M13, M14, M15, M16, M17, M18, M19, M20)		
131	4400467PLG LOUVERED SIDE PANEL [RT OF CNTL PNL] (M26, M27, M28, M29)		

Control Panel & Cover / Condenser

Image 1

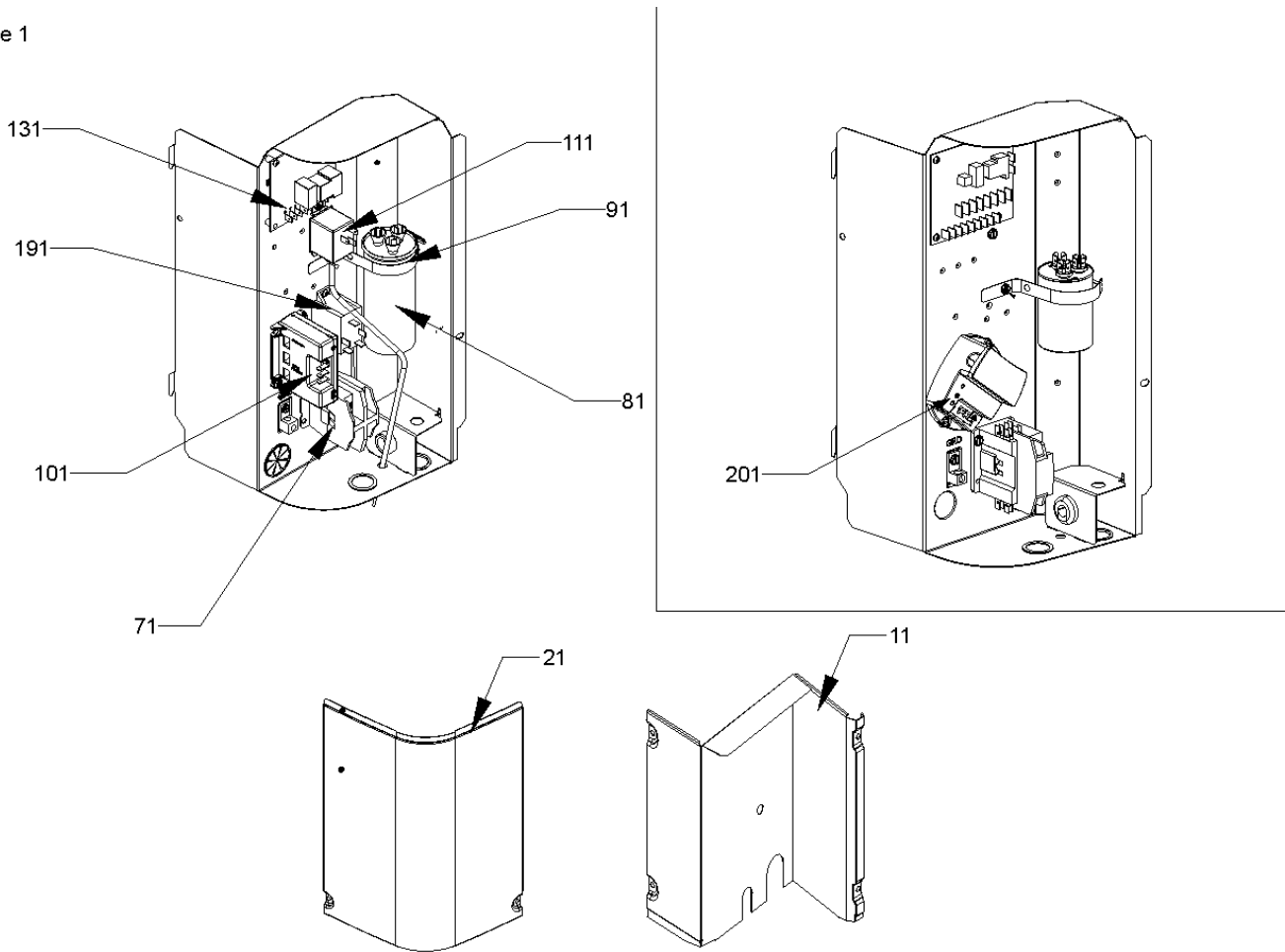
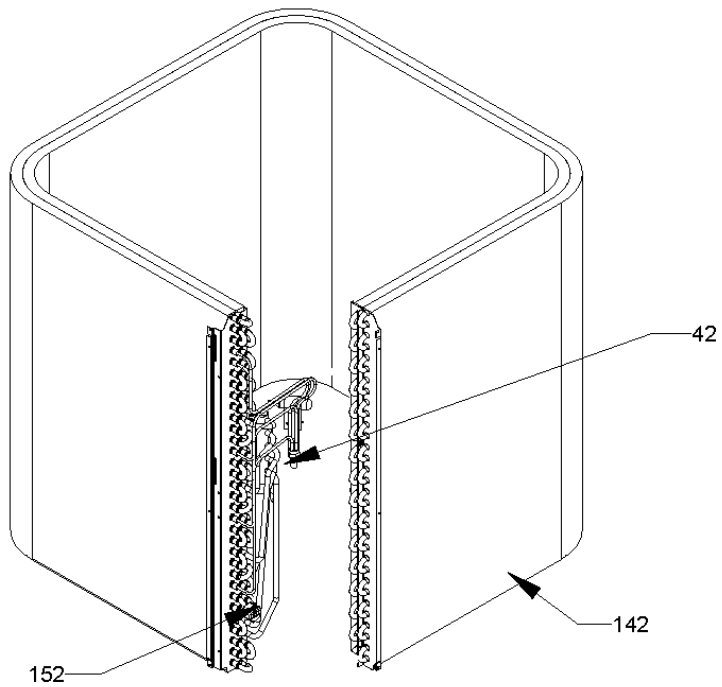


Image 2



Control Panel & Cover / Condenser

**Ref. Part
No: No:**

Description:

**Ref. Part
No: No:**

Description:

Image 1:

11	0121R00318	LOWER ACCESS PANEL (M13, M14, M15, M16, M17, M18, M19, M20)
11	0121R00321	LOWER ACCESS PANEL (M21, M22, M23, M24, M25, M26, M27, M28, M29)
11	0121R00323	LOWER ACCESS PANEL (M1, M2, M3, M4, M5, M6, M7, M8, M9, M10, M11, M12)
21	0121R00053PDG	CONTROL COVER
71	CONT1P025024V	CONTACTOR 25 AMP, 1P, 24V (M1, M2, M3, M4, M5, M6, M7, M8, M9, M10, M11, M12, M13, M14, M15, M16, M17, M18, M19, M20)
71	CONT1P030024V	CONTACTOR 30 AMP, 1P, 24V (M21, M22, M23, M24, M25, M26, M27, M28, M29)
81	CAP050400440RTP	CAP, 5/40 MFD/440V/DUAL RD (M5, M6, M7, M8, M9, M10, M11, M12)
81	CAP050450440RTP	CAP, 5/45 MFD/440V/DUAL RD (M13, M14, M15, M16, M17, M18, M19, M20, M21, M22, M23, M24, M25)
81	CAP050700440RTP	CAP, 5/70 MFD/440V/DUAL RD (M26, M27, M28, M29)
81	CAP050300440RS	CAPACITOR 5/30/440V (M1, M2, M3, M4)
91	4400065	CAPACITOR STRAP
101	571006700	CORE SENSE MODULE (M3, M4, M7, M8, M11, M12, M15, M16, M19, M20, M23, M24, M25, M28, M29)
111	0130M00011P	LOW AMBIENT THERMOSTAT, SPDT (M1, M2, M5, M6, M9, M10, M13, M14, M17, M18, M21, M22, M26, M27)
131	PCBDM133	DEFROST CONTROL BOARD
191	10135604	RELAY (M1, M2, M5, M6, M9, M10, M13, M14, M17, M18, M21, M22, M26, M27)
201	571006700	CORE SENSE MODULE (M1, M2, M5, M6, M9, M10, M13, M14, M17, M18, M21, M22, M26, M27)
NS	0161R00010P	AMANA NAMEPLATE

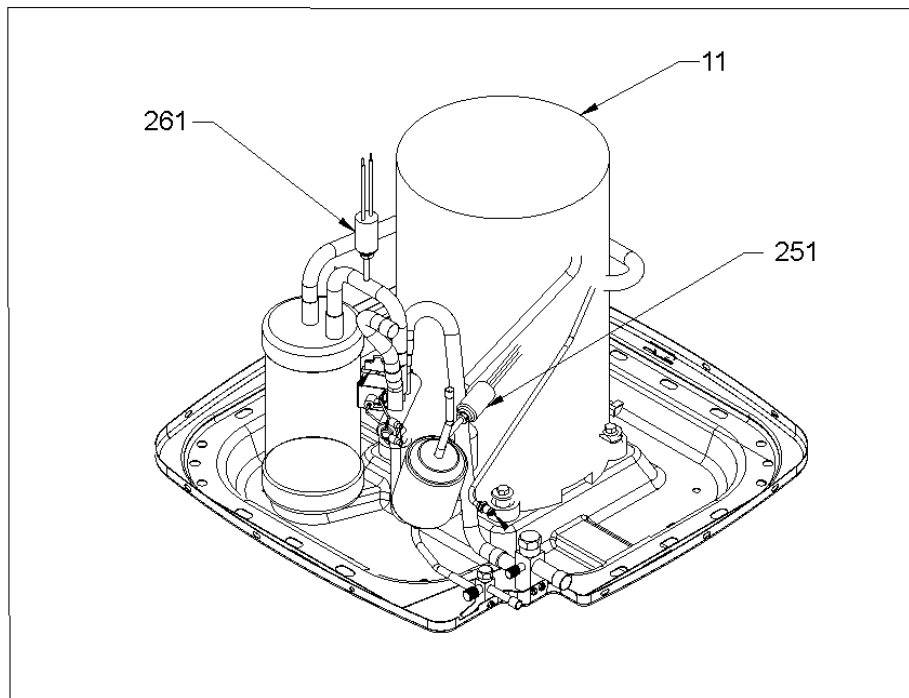
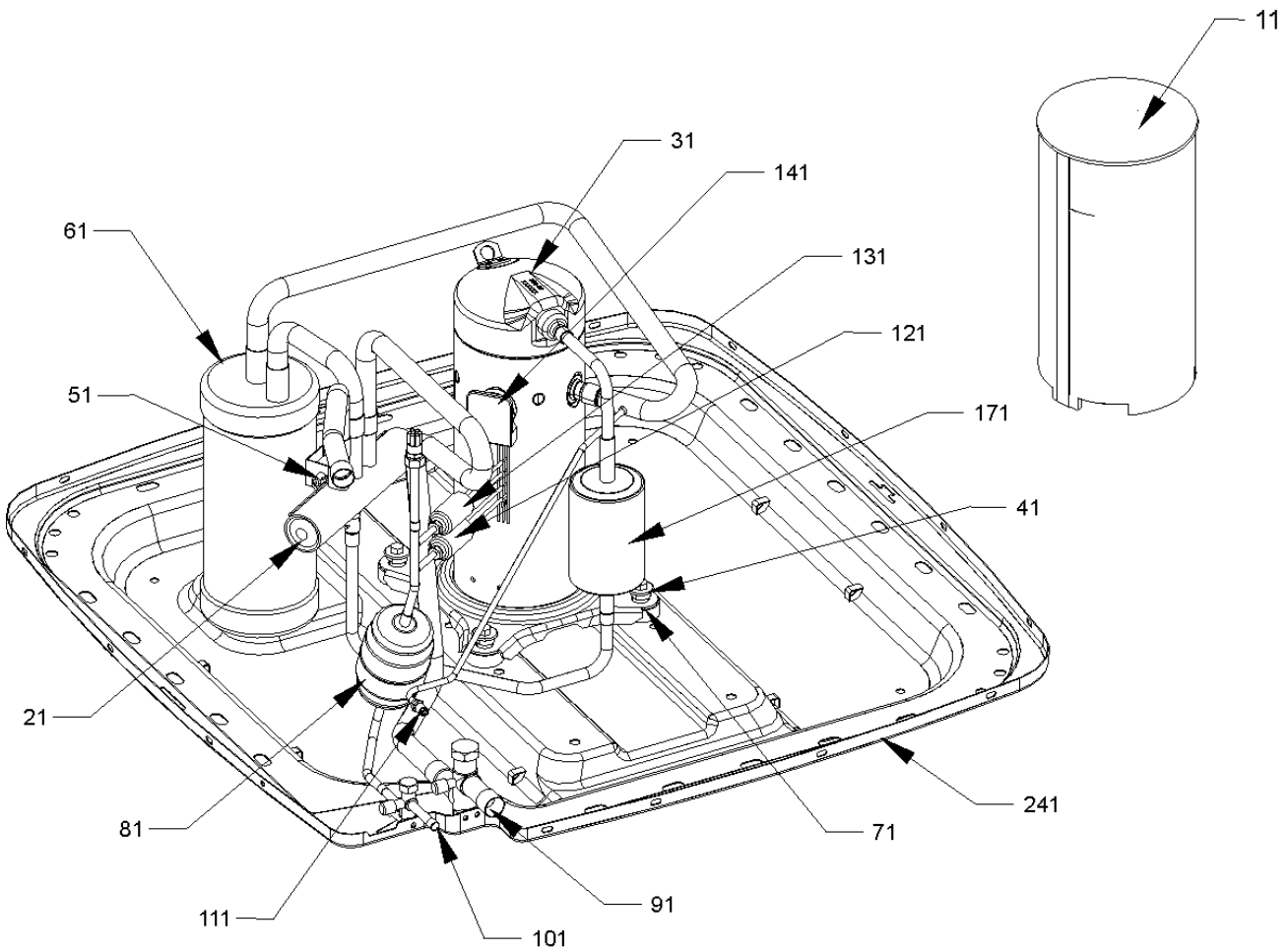
Image 2:

42	B1789849	FLOW CHECK PISTON KIT .049 (M1, M2, M3)
42	B1789851	FLOW CHECK PISTON KIT .051 (M4)
42	B1789857	FLOW CHECK PISTON KIT .057 (M5, M6, M7, M8)
42	B1789863	FLOW CHECK PISTON KIT .063 (M9, M10, M11)
42	B1789868	FLOW CHECK PISTON KIT .068 (M13, M14, M15, M16)
42	B1789874	FLOW CHECK PISTON KIT .074 (M17, M18, M19, M20)
42	B1789878	FLOW CHECK PISTON KIT .078 (M21, M22, M23, M24, M25)
42	B1789888	FLOW CHECK PISTON KIT .088 (M26, M27, M28, M29)
142	0201R00150	TUBING ASSY, COND COIL (M1, M2, M3, M4)
142	0201R00151	TUBING ASSY, COND COIL (M13, M14, M15, M16)
142	0201R00152	TUBING ASSY, COND COIL (M17, M18, M19, M20)
142	0201R00154	TUBING ASSY, COND COIL (M21, M22, M23, M24, M25)
142	0201R00155	TUBING ASSY, COND COIL (M26, M27, M28, M29)
142	0201R00324	TUBING ASSY, COND COIL (M5, M6, M7, M8)
142	0201R00325	TUBING ASSY, COND COIL (M9, M10, M11, M12)
152	0130M00105	CONTROL, DEFROST

Expanded Model Nomenclature

M1 - ASZ130181AB
M2 - ASZ130181AC
M3 - ASZ130181AD
M4 - ASZ130181AE
M5 - ASZ130241AC
M6 - ASZ130241AD
M7 - ASZ130241AE
M8 - ASZ130241AF
M9 - ASZ130301AC
M10 - ASZ130301AD
M11 - ASZ130301AE
M12 - ASZ130301AF
M13 - ASZ130361AB
M14 - ASZ130361AC
M15 - ASZ130361AD
M16 - ASZ130361AE
M17 - ASZ130421AB
M18 - ASZ130421AC
M19 - ASZ130421AD
M20 - ASZ130421AE
M21 - ASZ130481AB
M22 - ASZ130481AC
M23 - ASZ130481AD
M24 - ASZ130481AE
M25 - ASZ130481AF
M26 - ASZ130601AB
M27 - ASZ130601AC
M28 - ASZ130601AD
M29 - ASZ130601AE

Basepan / Compressor / Tubing Assy



Basepan / Compressor / Tubing Assy

Ref. Part No: No:	Description:	Ref. Part No: No:	Description:
Image 1:		Image 1:	
11 0160M00004	BLANKET, COMPRESSOR (M1, M5, M9, M13, M17, M21)	261 0130M00088	LOW PRESSURE SWITCH (M2, M3, M4, M6, M7, M8, M10, M11, M12, M14, M15, M16, M18, M19, M20, M22, M23, M24, M25, M27, M28, M29)
11 0160M00005	BLANKET, COMPRESSOR (M26)	NS 0130M00106	DISC THERMOSTAT CRNKCS HTR SW
21 0151M00018	REVERSING VALVE (M1, M2, M3, M4, M5, M6, M7, M8, M9, M10, M11, M12)	NS 0163R00006	HEATER, CRANKCASE 230V, 40W (M1, M2, M3, M4, M5, M6, M7, M8, M9, M10, M11, M12, M13, M14, M15, M16)
21 0151M00019	REVERSING VALVE (M13, M14, M15, M16)	NS 0163R00007	HEATER, CRANKCASE 230V, 40W (M17, M18, M19, M20, M21, M22, M23, M24, M25, M26, M27, M28, M29)
21 0151M00020	REVERSING VALVE (M17, M18, M19, M20, M21, M22, M23, M24, M26, M27, M28, M29)	NS B1225022	SOLENOID COIL
21 0151M00070	REVERSING VALVE (M25)		
31 ZP16K5EPFV130	COMPRESSOR 15500, 208/230/60/1 (M1, M2, M3, M4)		
31 ZP21K5EPFV130	COMPRESSOR 21300, 208/230/60/1 (M5, M6, M7, M8)		
31 ZP25K5EPFV130	COMPRESSOR 25200, 208/230/60/1 (M9, M10, M11, M12)		
31 ZP31K5EPFV130	COMPRESSOR 31100, 208/230/60/1 (M13, M14, M15, M16)		
31 ZP36K5EPFV130	COMPRESSOR 36200, 208/230/60/1 (M17, M18, M19, M20)		
31 ZP39K5EPFV130	COMPRESSOR 39000, 208/230/60/1 (M21, M22, M23, M24, M25)		
31 ZP51K5EPFV130	COMPRESSOR 51000, 208/230/60/1 (M26, M27, M28, M29)		
41 M0221641	TF SHOULDER SCREW (QTY 4)		
51 B1225020	SOLENOID COIL CORD W/1/4" TERMINAL (M1, M2, M3, M4, M5, M6, M7, M8, M9, M10, M11, M12, M13, M14, M15, M16, M17, M18, M19, M20, M21, M26)		
61 B1226206	ACCUMULATOR (M1, M2, M3, M4, M5, M6, M7, M8, M9, M10, M11, M12)		
61 0151R00004P	ACCUMULATOR .750 (M13, M14, M15, M16)		
61 B1226207	ACCUMULATOR .875 (M17, M18, M19, M20, M21, M22, M23, M24, M25, M26, M27, M28, M29)		
71 B1339533	COMPRESSOR GROMMET (QTY 4)		
81 20485201	BI-FLOW FILTER DRIER		
91 0151R00032	VALVE, BASE 3/4" OPEN LEFT (M1, M2, M3, M4, M5, M6, M7, M8, M9, M10, M11, M12, M13, M14, M15, M16)		
91 0151R00033	VALVE, BASE 7/8" OPEN LEFT (M17, M18, M19, M20, M21, M22, M23, M24, M25, M26, M27, M28, M29)		
101 B12825171	3/8" SERVICE VALVE		
111 B1787000	VALVE CORE		
121 0130M00089	HIGH PRESSURE SWITCH (M1, M5, M9, M13, M17, M21, M26)		
131 0130M00088	LOW PRESSURE SWITCH (M1, M5, M9, M13, M17, M21, M26)		
141 0159R00000P	COMPRESSOR SCROLL HARNESS (M1, M2, M3, M4, M5, M6, M7, M8, M9, M10, M11, M12)		
141 0159R00002P	COMPRESSOR SCROLL HARNESS (M13, M14, M15, M16, M17, M18, M19, M20, M21, M22, M23, M24, M25, M26, M27, M28, M29)		
171 0162R00007	MUFFLER 1/2 X 1/2		
241 0121R00005PDG	BASE PAN 26" (M1, M2, M3, M4, M5, M6, M7, M8, M9, M10, M11, M12)		
241 0121R00006PDG	BASE PAN 29" (M13, M14, M15, M16, M17, M18, M19, M20, M21, M22, M23, M24, M25)		
241 0121R00007PDG	BASE PAN 35" (M26, M27, M28, M29)		
251 0130R00003	HIGH PRESSURE SWITCH (M2, M3, M4, M6, M7, M8, M10, M11, M12, M14, M15, M16, M18, M19, M20, M22, M23, M24, M25, M27, M28, M29)		
		Expanded Model Nomenclature	
		M1 - ASZ130181AB	
		M2 - ASZ130181AC	
		M3 - ASZ130181AD	
		M4 - ASZ130181AE	
		M5 - ASZ130241AC	
		M6 - ASZ130241AD	
		M7 - ASZ130241AE	
		M8 - ASZ130241AF	
		M9 - ASZ130301AC	
		M10 - ASZ130301AD	
		M11 - ASZ130301AE	
		M12 - ASZ130301AF	
		M13 - ASZ130361AB	
		M14 - ASZ130361AC	
		M15 - ASZ130361AD	
		M16 - ASZ130361AE	
		M17 - ASZ130421AB	
		M18 - ASZ130421AC	
		M19 - ASZ130421AD	
		M20 - ASZ130421AE	
		M21 - ASZ130481AB	
		M22 - ASZ130481AC	
		M23 - ASZ130481AD	
		M24 - ASZ130481AE	
		M25 - ASZ130481AF	
		M26 - ASZ130601AB	
		M27 - ASZ130601AC	
		M28 - ASZ130601AD	
		M29 - ASZ130601AE	