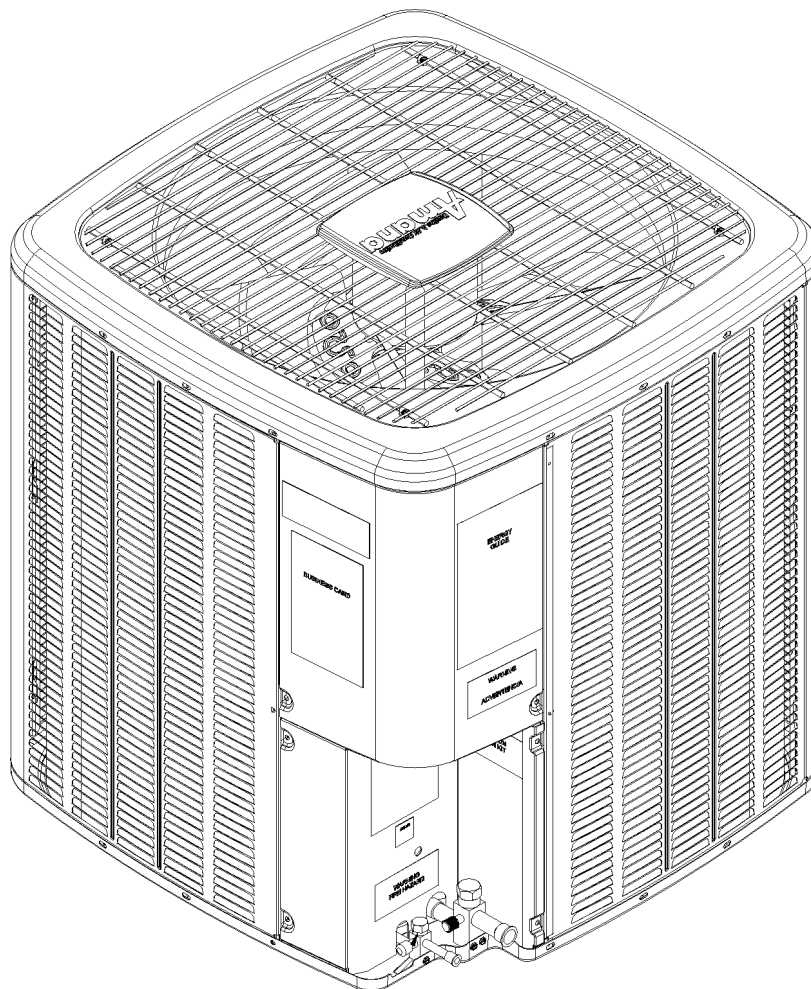


ASZ13 Remote Heat Pump

ASZ130181AG
ASZ130241AH
ASZ130301AH
ASZ130421AJ
ASZ130481AG
ASZ130601AF



Amana® is a registered trademark of Maytag Corporation or its related companies and is used under license. All rights reserved.

This manual is to be used by qualified technicians only.

This manual replaces RP-A4313A.

Important Information

Index

Functional Parts List	3
Illustration and Parts	4 - 9

Views shown are for parts illustrations only, not servicing procedures.

Text Codes:

AR - As Required

NA - Not Available

NS - Not Shown

00000000 - See Note

QTY - Quantity Example (QTY 3) (If Quantity not shown, Quantity = 1)

M - Model Example (M1) (If M Code not shown, then part is used on all Models)

Expanded Model Nomenclature:

Example
M1 - Model#1
M2 - Model#2
M3 - Model#3

Goodman Manufacturing Company, L.P. is not responsible for personal injury or property damage resulting from improper service. Review all service information before beginning repairs.

Warranty service must be performed by an authorized technician, using authorized factory parts. If service is required after the warranty expires, Goodman Manufacturing Company, L.P. also recommends contacting an authorized technician and using authorized factory parts.

Goodman Manufacturing Company, L.P. reserves the right to discontinue, or change at any time, specifications or designs without notice or without incurring obligations.

For assistance within the U.S.A. contact:
Homeowner Support
Goodman Manufacturing Company, L.P.
19001 Kermier Road
Waller, Texas 77484
877-254-4729-Telephone
713-863-2382-Facsimile

For assistance outside the U.S.A. contact:
International Division
Goodman Manufacturing Company, L.P.
19001 Kermier Road
Waller, Texas 77484
713-861-2500-Telephone
713-863-2382-Facsimile

Functional Parts

Part

No: **Description:**

0131M00811	1/8 HP 8 PL PSC MOTOR (M1, M2, M3)
B1226206	ACCUMULATOR (M1, M2, M3)
B1226207	ACCUMULATOR .875 (M4, M5, M6)
0151R00079	BASE VALVE 3/4" (M1, M2, M3)
0151R00078	BASE VALVE 3/8"
0151R00080	BASE VALVE 7/8" (M4, M5, M6)
CAP050300440CS	CAP,5/30MFD/440V/DUAL RD (M1)
CAP050400440CT	CAPACITOR 5/40/440V/DUAL RD (M2, M3)
CAP050450440CT	CAPACITOR 5/45/440V/DUAL RD (M4, M5)
CAP050700440CT	CAPACITOR 5/70/440V/DUAL RD (M6)
ZP16K5EPFV130	COMPRESSOR 15500, 208/230/60/1 (M1)
ZP21K5EPFV130	COMPRESSOR 21300, 208/230/60/1 (M2)
ZP25K5EPFV130	COMPRESSOR 25200, 208/230/60/1 (M3)
ZP39K5EPFV130	COMPRESSOR 39000, 208/230/60/1 (M5)
ZP51K5EPFV130	COMPRESSOR 51000, 208/230/60/1 (M6)
CONT1P025024V	CONTACTOR 25 AMP, 1P, 24V (M1, M2, M3, M4)
CONT1P030024V	CONTACTOR 30 AMP, 1P, 24V (M5, M6)
0130R00003	CUT-OUT SWITCH, HIGH PRESSURE
0130M00088	CUT-OUT SWITCH, LOW PRESSURE
PCBDM133	DEFROST CONTROL BOARD
0130M00106	DISC THERMOSTAT CRNKCS HTR SW
0150M00018	FAN BLADE 20" (M1, M2)
0150M00012	FAN BLADE 20" CCW (M3)
0150M00008	FAN BLADE 22" TNT2203-25 (M4)
0150M00013	FAN BLADE 26" CCW (M6)
B1086765	FAN BLADE TYPE 3 (M5)
0163R00006	HEATER, CRANKCASE 230V, 40W (M1, M2, M3)
0163R00007	HEATER, CRANKCASE 230V, 40W (M4, M5, M6)
0131M00807	MOTOR, 1/4HP,1SP,8PL,AL (M5, M6)
0131M00753	MOTOR, 1/6HP, 1SP, 8PL, AL (M4)
0151R00070	REVERSING VALVE (M5)
0151R00068	REVERSING VALVE (M1, M2, M3)
0151R00071	REVERSING VALVE (M4)
0151M00020	REVERSING VALVE (M6)

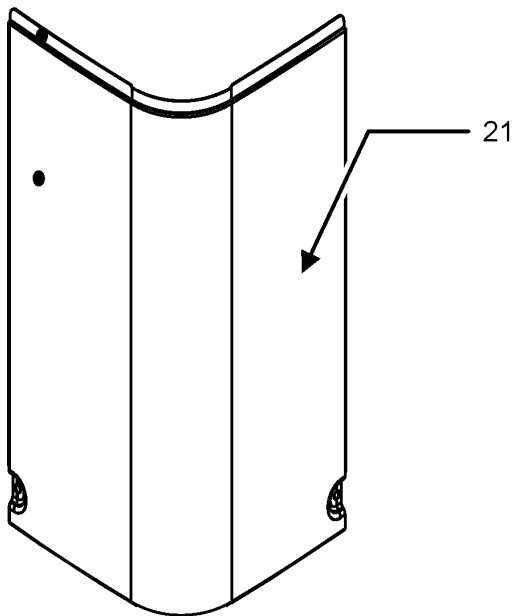
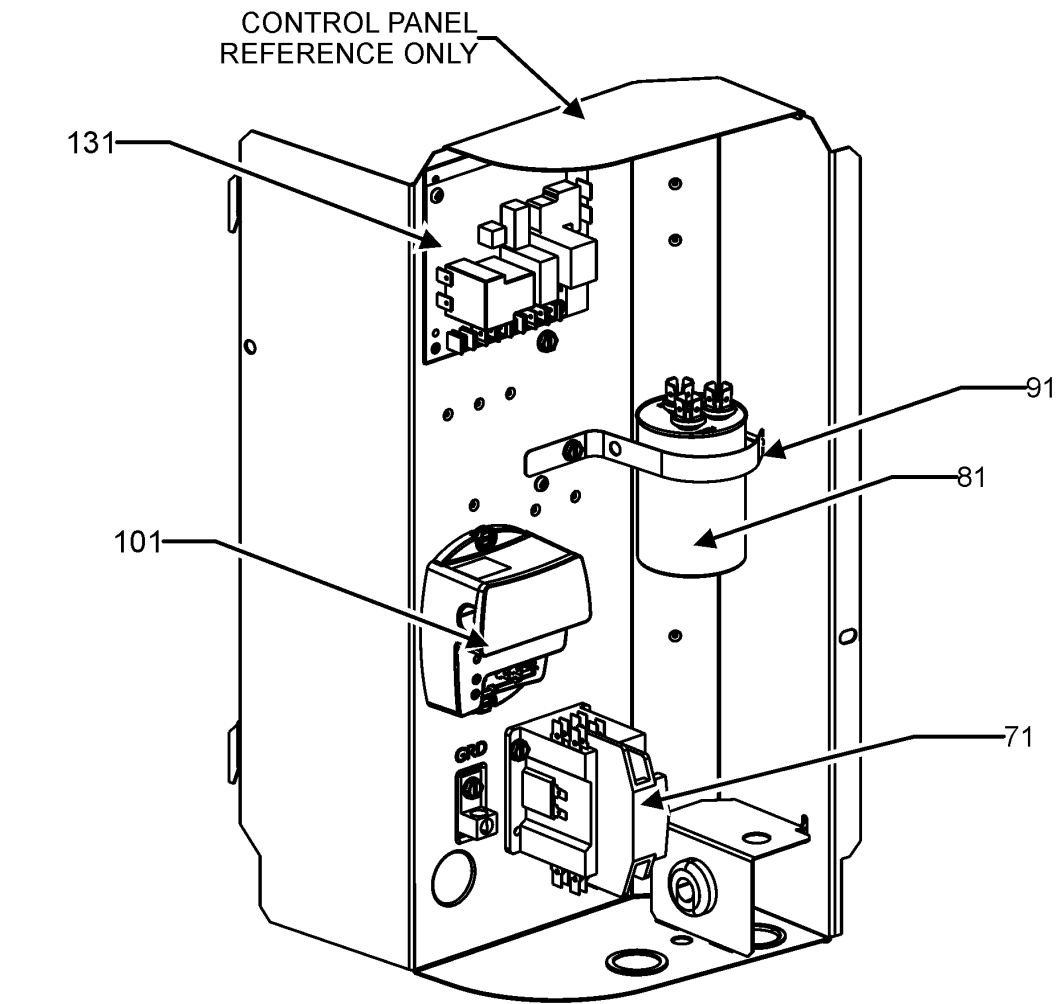
SPECIAL PARTS

0161R00008P	AMANA LOGO CAP
0161R00010P	AMANA NAMEPLATE

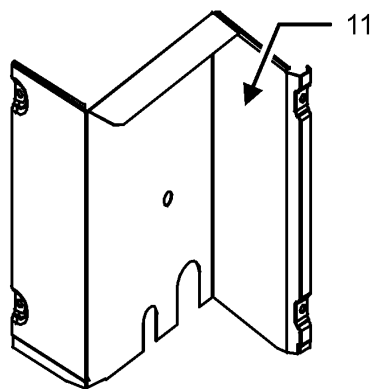
Expanded Model Nomenclature

M1 - ASZ130181AG
M2 - ASZ130241AH
M3 - ASZ130301AH
M4 - ASZ130421AJ
M5 - ASZ130481AG
M6 - ASZ130601AF

Control Panel Assembly



LOWER ACCESS COVER



LOWER ACCESS PANEL

Control Panel Assembly

Ref. Part No:	No:	Description:	Ref. Part No:	No:	Description:
---------------	-----	--------------	---------------	-----	--------------

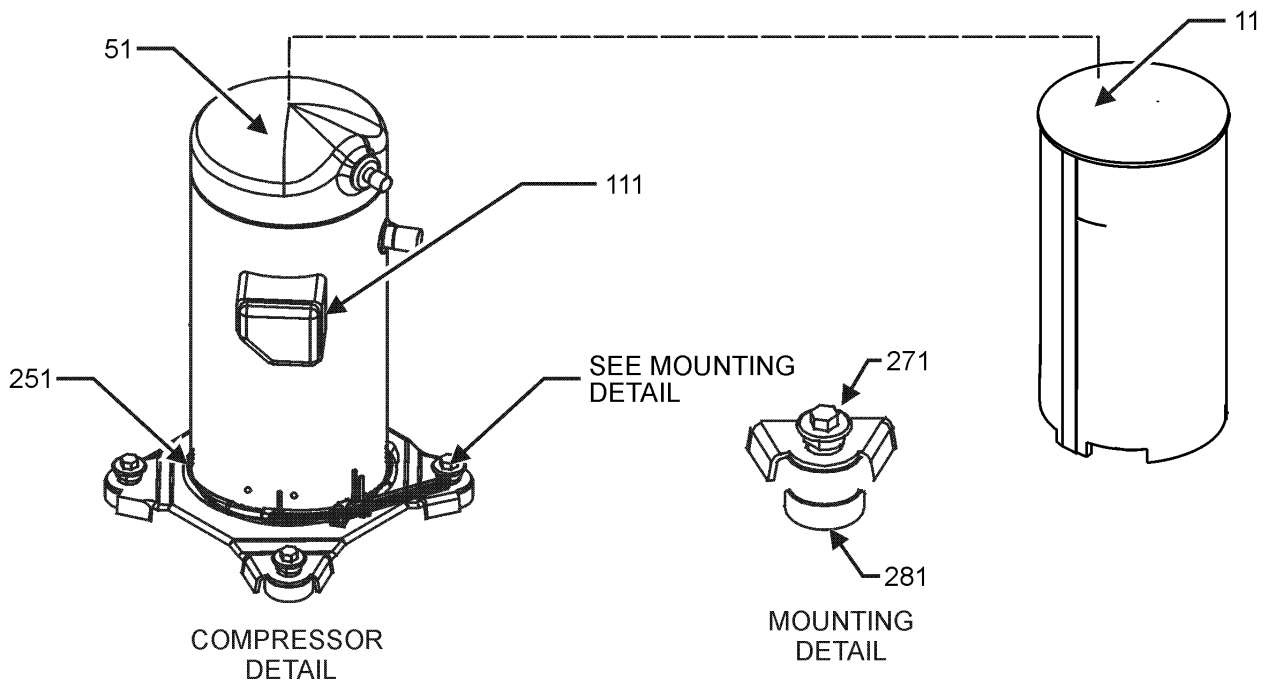
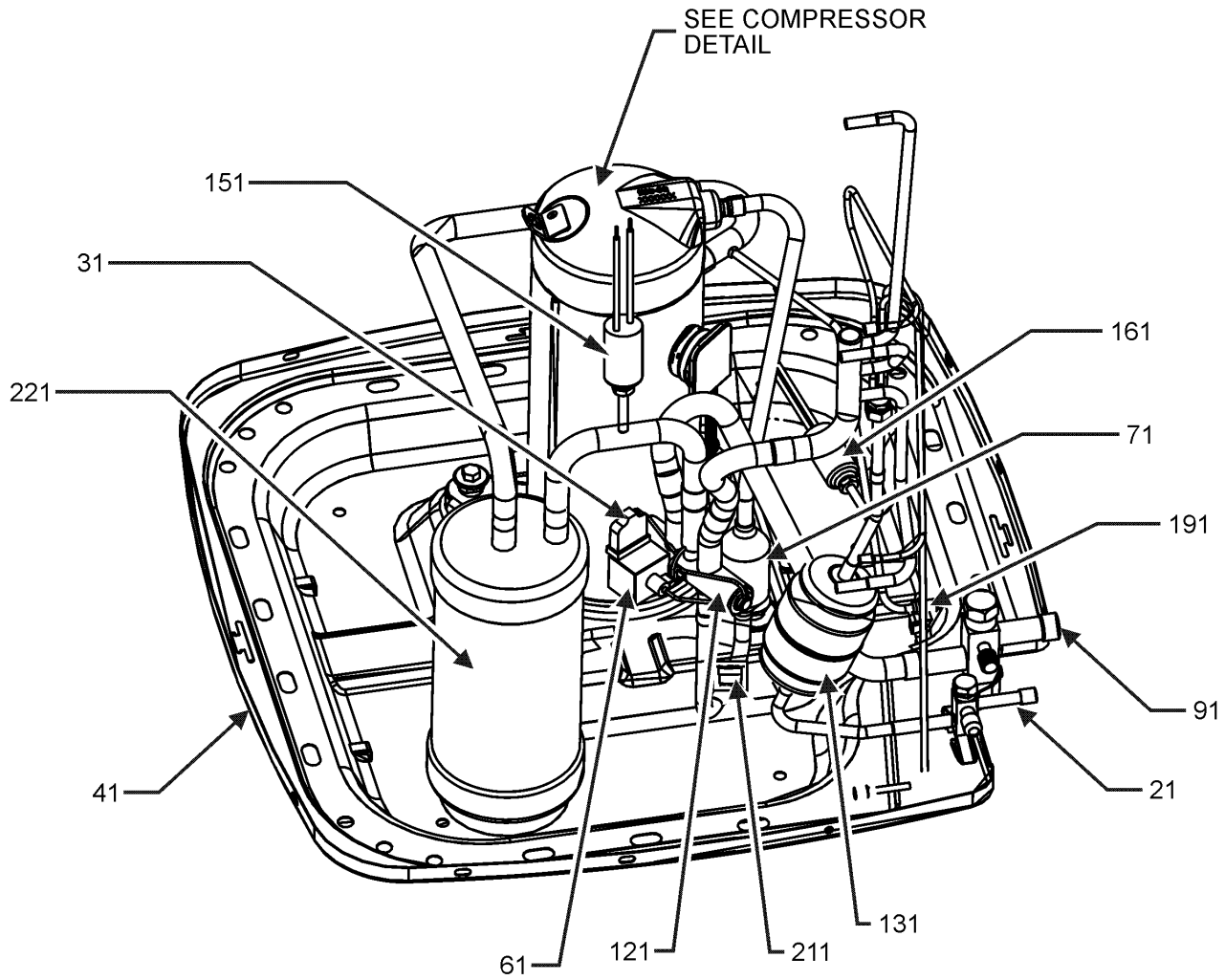
Image 1:

11	0121R00663PDG	LOWER ACCESS PANEL (M1, M2, M3)
11	0121R00318PDG	PANEL, LOWER ACCESS PNT (M4)
11	0121R00321PDG	PANEL, LOWER ACCESS PNT (M5, M6)
21	0121R00053PDG	CONTROL COVER
71	CONT1P025024V	CONTACTOR 25 AMP, 1P, 24V (M1, M2, M3, M4)
71	CONT1P030024V	CONTACTOR 30 AMP, 1P, 24V (M5, M6)
81	CAP050300440CS	CAP.5/30MFD/440V/DUAL RD (M1)
81	CAP050400440CT	CAPACITOR 5/40/440V/DUAL RD (M2, M3)
81	CAP050450440CT	CAPACITOR 5/45/440V/DUAL RD (M4, M5)
81	CAP050700440CT	CAPACITOR 5/70/440V/DUAL RD (M6)
91	4400065	CAPACITOR STRAP
101	571006700	CORE SENSE MODULE
131	PCBDM133	DEFROST CONTROL BOARD
NS	0161R00010P	AMANA NAMEPLATE

Expanded Model Nomenclature

M1 - ASZ130181AG
M2 - ASZ130241AH
M3 - ASZ130301AH
M4 - ASZ130421AJ
M5 - ASZ130481AG
M6 - ASZ130601AF

Compressor and Tubing Assembly



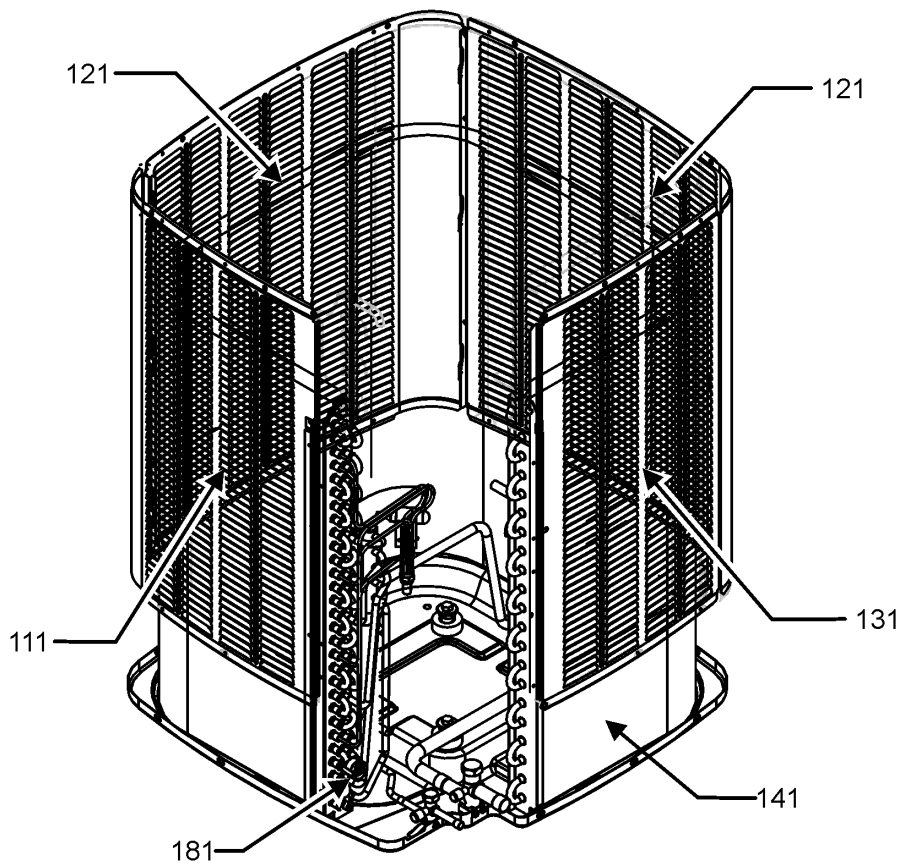
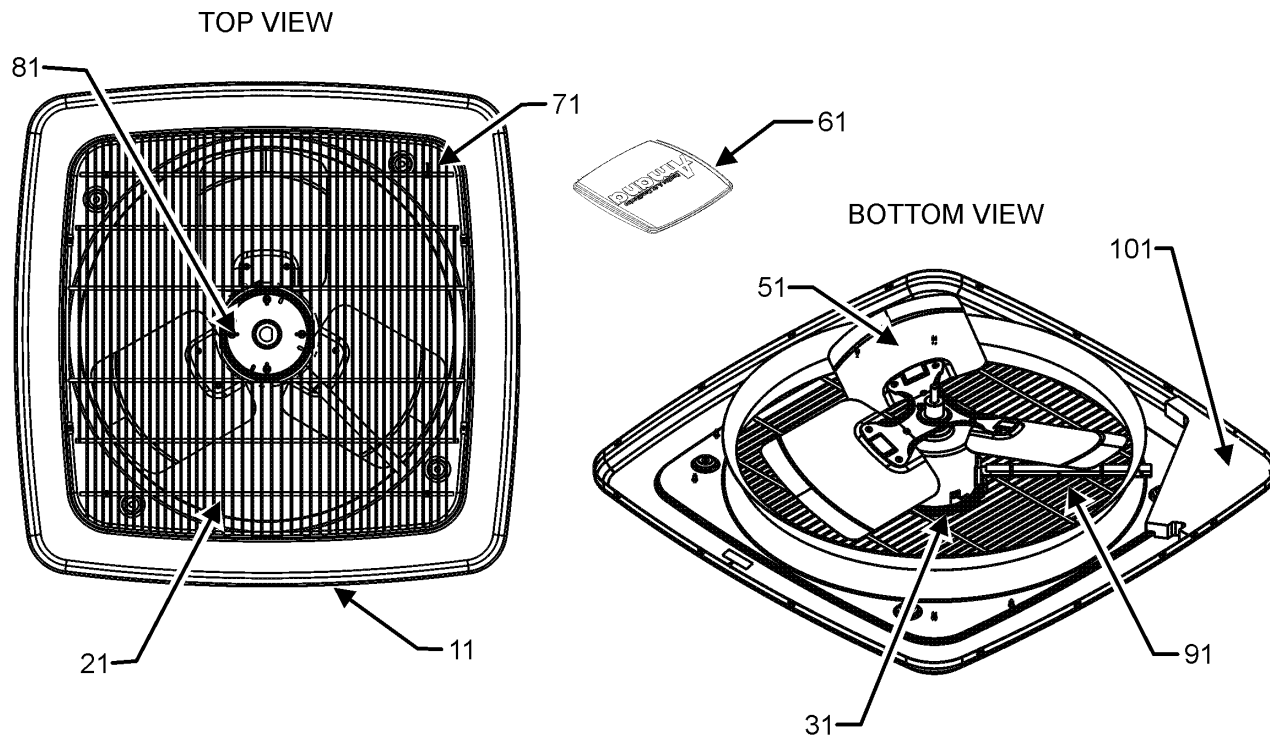
Compressor and Tubing Assembly

Ref. Part No: No:	Description:	Ref. Part No: No:	Description:
<i>Image 1:</i>			
11	B1488806		COMPRESSOR SOUND BLANKET (M6)
11	B1488807		COMPRESSOR SOUND BLANKET (M4, M5)
11	B1488810		COMPRESSOR SOUND BLANKET (M1, M2, M3)
21	0151R00078		BASE VALVE 3/8"
31	0130M00083		SOLENOID HARNESS W/1/4" TERM
41	0121R00005PDG		BASE PAN 26" (M1, M2, M3)
41	0121R00006PDG		BASE PAN 29" (M4, M5)
41	0121R00007PDG		BASE PAN 35" (M6)
51	ZP16K5EPFV130		COMPRESSOR 15500, 208/230/60/1 (M1)
51	ZP21K5EPFV130		COMPRESSOR 21300, 208/230/60/1 (M2)
51	ZP25K5EPFV130		COMPRESSOR 25200, 208/230/60/1 (M3)
51	ZP39K5EPFV130		COMPRESSOR 39000, 208/230/60/1 (M5)
51	ZP51K5EPFV130		COMPRESSOR 51000, 208/230/60/1 (M6)
61	B1225022		SOLENOID COIL
71	0162R00007		MUFFLER 1/2 X 1/2
91	0151R00079		BASE VALVE 3/4" (M1, M2, M3)
91	0151R00080		BASE VALVE 7/8" (M4, M5, M6)
111	0159R00000P		COMPRESSOR SCROLL HARNESS (M1, M2, M3)
111	0159R00001P		COMPRESSOR SCROLL HARNESS (M4, M5)
111	0159R00002P		COMPRESSOR SCROLL HARNESS (M6)
121	0151M00020		REVERSING VALVE (M6)
121	0151R00068		REVERSING VALVE (M1, M2, M3)
121	0151R00070		REVERSING VALVE (M5)
121	0151R00071		REVERSING VALVE (M4)
131	20485201		BI-FLOW FILTER DRIER
151	0130M00088		CUT-OUT SWITCH, LOW PRESSURE
161	0130R00003		CUT-OUT SWITCH, HIGH PRESSURE
191	B1787000		VALVE CORE
211	0130M00106		DISC THERMOSTAT CRNKCS HTR SW
221	B1226206		ACCUMULATOR (M1, M2, M3)
221	B1226207		ACCUMULATOR .875 (M4, M5, M6)
251	0163R00006		HEATER, CRANKCASE 230V, 40W (M1, M2, M3)
251	0163R00007		HEATER, CRANKCASE 230V, 40W (M4, M5, M6)
271	M0221641		TF SHOULDER SCREW (QTY 4)
281	B1339533		COMPRESSOR GROMMET (QTY 4)
NS	0130M00083		REVERSING VALVE HARNESS

Expanded Model Nomenclature

M1 - ASZ130181AG
M2 - ASZ130241AH
M3 - ASZ130301AH
M4 - ASZ130421AJ
M5 - ASZ130481AG
M6 - ASZ130601AF

Top Panel and Side Panel Assembly



LOUVER PANEL ASSEMBLY

Top Panel and Side Panel Assembly

Ref. Part No:	Part No:	Description:	Ref. Part No:	Part No:	Description:
Image 1:					
11	0121R00009PDG	VENTURI TOP PANEL 26" (M1, M2, M3)			
11	0121R00011PDG	VENTURI TOP PANEL 29" (M4, M5)			
11	0121R00013PDG	VENTURI TOP PANEL 35" (M6)			
21	0152R00010	GRILLE, WIRE 26" TOP (M1, M2, M3)			
21	0152R00015	GRILLE, WIRE 29" TOP (M4, M5)			
21	0152R00016	GRILLE, WIRE 35" TOP (M6)			
31	0131M00811	1/8 HP 8 PL PSC MOTOR (M1, M2, M3)			
31	0131M00807	MOTOR, 1/4HP,1SP,8PL,AL (M5, M6)			
31	0131M00753	MOTOR, 1/6HP, 1SP, 8PL, AL (M4)			
51	0150M00018	FAN BLADE 20" (M1, M2)			
51	0150M00012	FAN BLADE 20" CCW (M3)			
51	0150M00008	FAN BLADE 22" TNT2203-25 (M4)			
51	0150M00013	FAN BLADE 26" CCW (M6)			
51	B1086765	FAN BLADE TYPE 3 (M5)			
61	0161R00008P	AMANA LOGO CAP			
71	0163M00003P	SCREW #10 X 1/2, A, SLOT, SR, BLACK (QTY 6)			
81	M0280801	HEX NUT (QTY 4)			
91	0161R00000P	CONDUIT (M1, M2, M3)			
91	0161R00002P	CONDUIT (M4, M5)			
91	0161R00004P	CONDUIT (M6)			
101	0154R00006	GASKET, CONTROL PANEL			
111	4400402PLGB	LOUVERED SIDE PANEL [LT OF CNTL PNL] (M1, M2, M3)			
111	4400457PLGB	LOUVERED SIDE PANEL [LT OF CNTL PNL] (M5)			
111	4400458PLGB	LOUVERED SIDE PANEL [LT OF CNTL PNL] (M4)			
111	4400463PLGB	LOUVERED SIDE PANEL [LT OF CNTL PNL] (M6)			
121	4400407PLGB	LOUVERED SIDE PANEL (M1, M2, M3)			
121	4400459PLGB	LOUVERED SIDE PANEL (M5)			
121	4400465PLGB	LOUVERED SIDE PANEL (M6)			
121	4400460PLGB	LOUVERED SIDE PANEL 29_36 (M4)			
131	4400412PLG	LOUVERED SIDE PANEL [RT OF CNTL PNL] (M1, M2, M3)			
131	4400461PLG	LOUVERED SIDE PANEL [RT OF CNTL PNL] (M5)			
131	4400462PLG	LOUVERED SIDE PANEL [RT OF CNTL PNL] (M4)			
131	4400467PLG	LOUVERED SIDE PANEL [RT OF CNTL PNL] (M6)			
141	0201R00325	ASSY, COIL TBG (M3)			
141	0201R00324	ASSY, COIL TBG 30 X S 3CR 1CTC (M2)			
141	0201R00150S	TUBING ASSY, COND COIL (M1)			
141	0201R00152S	TUBING ASSY, COND COIL (M4)			
141	0201R00154S	TUBING ASSY, COND COIL (M5)			
141	0201R00155S	TUBING ASSY, COND COIL (M6)			
181	0130M00105	CONTROL, DEFROST			
NS	B1789872	FLOW CHECK PISTON KIT (M4)			
NS	B1789851	FLOW CHECK PISTON KIT .051 (M1)			
NS	B1789857	FLOW CHECK PISTON KIT .057 (M2)			
NS	B1789865	FLOW CHECK PISTON KIT .065 (M3)			
NS	B1789878	FLOW CHECK PISTON KIT .078 (M5)			
NS	B1789888	FLOW CHECK PISTON KIT .088 (M6)			

Expanded Model Nomenclature

M1 - ASZ130181AG
M2 - ASZ130241AH
M3 - ASZ130301AH
M4 - ASZ130421AJ
M5 - ASZ130481AG
M6 - ASZ130601AF