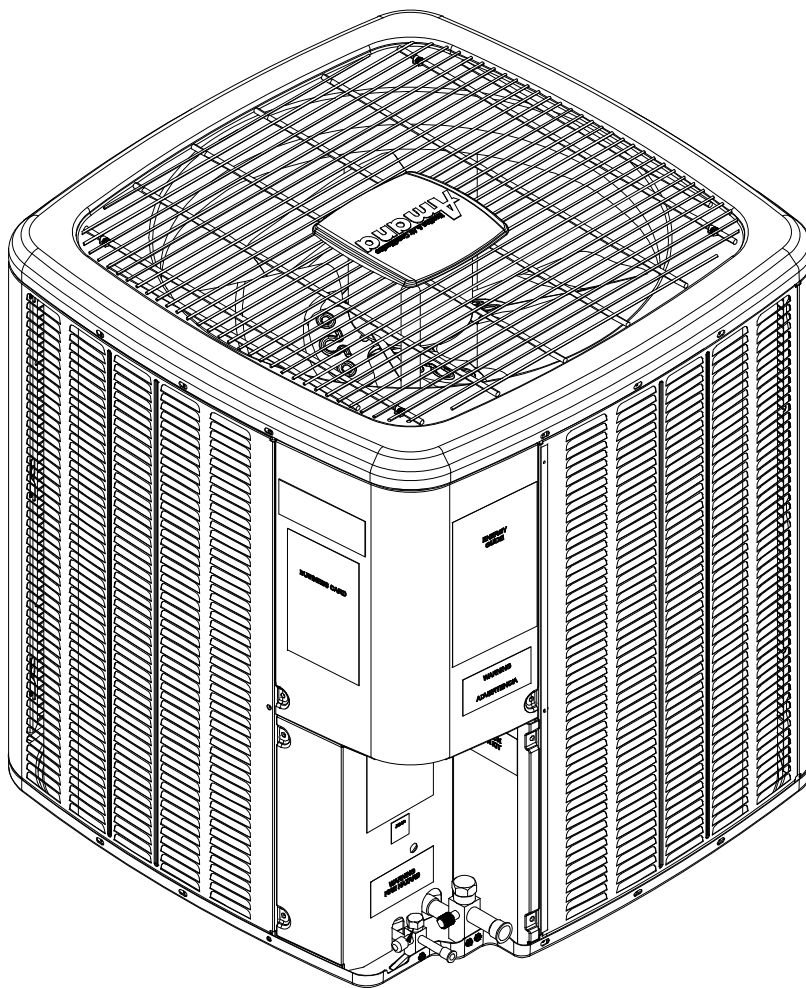


ASZ13 R410A Remote Heat Pumps

ASZ130181AA
ASZ130241AA
ASZ130241AB
ASZ130301AA
ASZ130301AB
ASZ130361AA
ASZ130421AA
ASZ130481AA
ASZ130601AA



Amana is a registered trademark of Maytag Corporation or its related companies and is used under license to Goodman Company, L.P., Houston, TX. All rights reserved.

This manual is to be used by qualified technicians only.

This manual replaces RP-517

© 2008, 2010 Goodman Company, L.P. ♦ 5151 San Felipe, Suite 500 ♦ Houston, TX 77056

Important Information

Index

Functional Parts List	3
Illustration and Parts	4 - 9

Views shown are for parts illustrations only, not servicing procedures.

Revision A: Added models ASZ130241AB and ASZ130301AB.

Text Codes:

AR - As Required

NA - Not Available

NS - Not Shown

00000000 - See Note

QTY - Quantity Example (QTY 3) (If Quantity not shown, Quantity = 1)

M - Model Example (M1) (If M Code not shown, then part is used on all Models)

Expanded Model Nomenclature:

Example M1 - Model#1 M2 - Model#2 M3 - Model#3

Goodman Company, L.P. is not responsible for personal injury or property damage resulting from improper service. Review all service information before beginning repairs.

Warranty service must be performed by an authorized technician, using authorized factory parts. If service is required after the warranty expires, Goodman Company, L.P. also recommends contacting an authorized technician and using authorized factory parts.

Goodman Company, L.P. reserves the right to discontinue, or change at any time, specifications or designs without notice or without incurring obligations.

For assistance within the U.S.A. contact:

Consumer Affairs Department
Goodman Company, L.P.
7401 Security Way
Houston, Texas 77040
877-254-4729-Telephone
713-863-2382-Facsimile

For assistance outside the U.S.A. contact:

International Division
Goodman Company, L.P.
7401 Security Way
Houston, Texas 77040
713-861-2500-Telephone
713-863-2382-Facsimile

Functional Parts

Part

No: Description:

Expanded Model Nomenclature

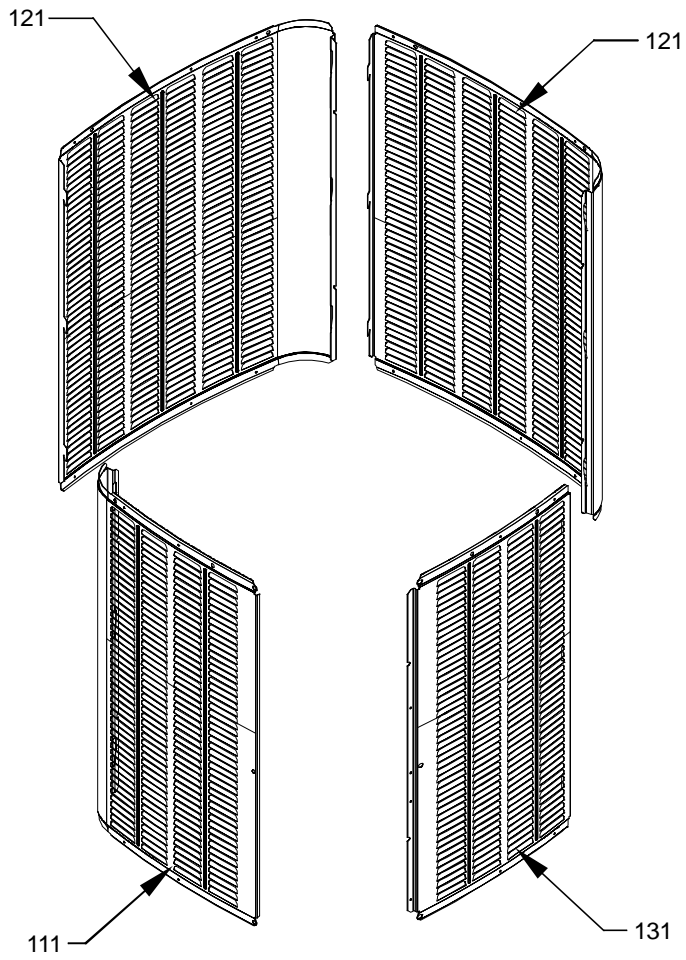
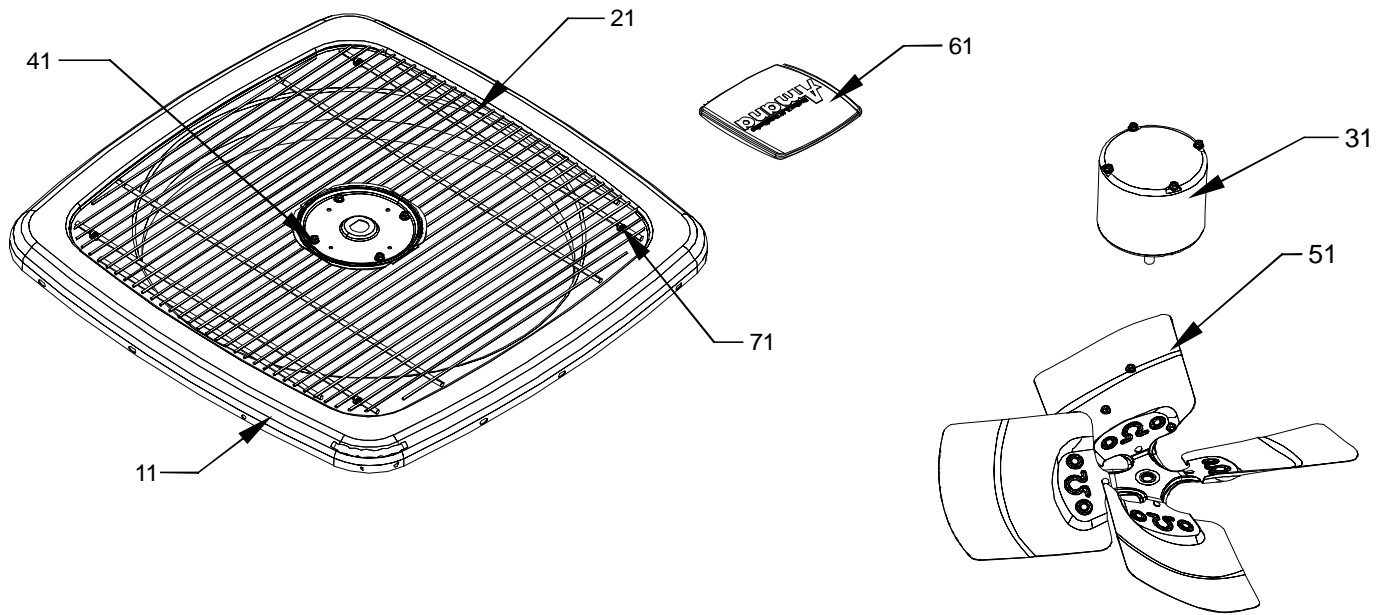
0151R00002P	3/4" SERVICE VALVE OPEN LEFT (M1, M2, M3, M4, M5, M6)
B12825171	3/8" SERVICE VALVE
0151R00003P	7/8" SERVICE VALVE OPEN LEFT (M7, M8, M9)
CAP050300440RSS	CAPACITOR 5/30/370V (M1)
CAP050400440RTS	CAPACITOR 5/40/440V (M2, M3, M4, M5)
CAP050450440RTS	CAPACITOR 5/45/440V (M6, M7, M8)
CAP050700440RTS	CAPACITOR 5/70/440V (M9)
543001200	COMFORT ALERT MODULE
ZP16K5EPFV830	COMPRESSOR 15500, 208/230/60/1 (M1)
ZP21K5EPFV830	COMPRESSOR 21300,208/230/60/1 (M2, M3)
ZP25K5EPFV830	COMPRESSOR 25200, 208/230/60/1 (M4, M5)
ZP31K5EPFV830	COMPRESSOR 31100, 208/230/60/1 (M6)
ZP36K5EPFV830	COMPRESSOR 36200, 208/230/60/1 (M7)
ZP39K5EPFV830	COMPRESSOR 39000, 208/230/60/1 (M8)
ZP51K5EPFV830	COMPRESSOR 51000, 208/230/60/1 (M9)
0131M00015PS	COND MOTOR 1/4 HP, 2 SP, 8 PL (M6, M7, M8, M9)
0131M00017PS	COND MOTOR 1/6 HP, 2 SP, 8 PL (M1, M2, M3, M4, M5)
CONT2P025024VS	CONTACTOR 25 AMP, 2P, 24V (M1, M2, M3, M4, M5, M6, M7)
CONT2P030024VS	CONTACTOR 30 AMP, 2P, 24V (M8, M9)
20322603	CUT-OUT SWITCH, HIGH PRESSURE
PCBDM130	DEFROST CONTROL BOARD
B1370803	DEFROST THERMOSTAT
0150M00018S	FAN BLADE 20" (M1, M2, M3)
0150M00012S	FAN BLADE 20" CCW (M4, M5)
0150M00008S	FAN BLADE 22" TNT2203-25 (M6, M7)
0150M00013	FAN BLADE 26" CCW (M9)
B1086765S	FAN BLADE TYPE 3 (M8)
0130M00011P	LOW AMBIENT THERMOSTAT, SPDT
0130R00000S	LOW PRESSURE SWITCH
10135604	RELAY
0151M00019S	REVERSING VALVE (M6)
0151M00020S	REVERSING VALVE (M7, M8, M9)
0151M00018S	REVERSING VALVE (M1, M2, M3, M4, M5)
B1225020	SOLENOID COIL CORD W/1/4"TERMINAL

M1 - ASZ130181AA
M2 - ASZ130241AA
M3 - ASZ130241AB
M4 - ASZ130301AA
M5 - ASZ130301AB
M6 - ASZ130361AA
M7 - ASZ130421AA
M8 - ASZ130481AA
M9 - ASZ130601AA

SPECIAL PARTS

0161R00008P	AMANA LOGO CAP
0161R00010P	AMANA NAMEPLATE
IO-259H	HEAT PUMP INSTALLATION MANUAL

Cabinet Top / Side Panels



Cabinet Top / Side Panels

Ref. Part No:	Part No:	Description:	Ref. Part No:	Part No:	Description:
---------------	----------	--------------	---------------	----------	--------------

Image 1:

11	0121R00009PDG	VENTURI TOP PANEL 26" (M1, M2, M3, M4, M5)
11	0121R00011PDG	VENTURI TOP PANEL 29" (M6, M7, M8)
11	0121R00013PDG	VENTURI TOP PANEL 35" (M9)
21	0152R00000P	WIRE GRILL 26" (M1, M2, M3, M4, M5)
21	0152R00008	WIRE GRILL 29" (M6, M7, M8)
21	0152R00009	WIRE GRILL 35" (M9)
31	0131M00015PS	COND MOTOR 1/4 HP, 2 SP, 8 PL (M6, M7, M8, M9)
31	0131M00017PS	COND MOTOR 1/6 HP, 2 SP, 8 PL (M1, M2, M3, M4, M5)
41	M0280801	HEX NUT (QTY 4)
51	0150M00018S	FAN BLADE 20" (M1, M2, M3)
51	0150M00012S	FAN BLADE 20" CCW (M4, M5)
51	0150M00008S	FAN BLADE 22" TNT2203-25 (M6, M7)
51	0150M00013	FAN BLADE 26" CCW (M9)
51	B1086765S	FAN BLADE TYPE 3 (M8)
61	0161R00008P	AMANA LOGO CAP
71	0163M00003P	SCREW #10 X 1/2, A, SLOT, SR, BLACK (QTY 4)
111	4400402PLGB	LOUVERED SIDE PANEL [LT OF CNTL PNL] (M1, M2, M3, M4, M5)
111	4400457PLGB	LOUVERED SIDE PANEL [LT OF CNTL PNL] (M8)
111	4400458PLGB	LOUVERED SIDE PANEL [LT OF CNTL PNL] (M6, M7)
111	4400463PLGB	LOUVERED SIDE PANEL [LT OF CNTL PNL] (M9)
121	4400407PLGB	LOUVERED SIDE PANEL (M1, M2, M3, M4, M5)
121	4400459PLGB	LOUVERED SIDE PANEL (M8)
121	4400460PLGB	LOUVERED SIDE PANEL (M6, M7)
121	4400465PLGB	LOUVERED SIDE PANEL (M9)
131	4400412PLG	LOUVERED SIDE PANEL [RT OF CNTL PNL] (M1, M2, M3, M4, M5)
131	4400461PLG	LOUVERED SIDE PANEL [RT OF CNTL PNL] (M8)
131	4400462PLG	LOUVERED SIDE PANEL [RT OF CNTL PNL] (M6, M7)
131	4400467PLG	LOUVERED SIDE PANEL [RT OF CNTL PNL] (M9)
NS	0161R00000P	CONDUIT (M1, M2, M3, M4, M5)
NS	0161R00002P	CONDUIT (M6, M7, M8)
NS	0161R00004P	CONDUIT (M9)

Expanded Model Nomenclature

M1 - ASZ130181AA
M2 - ASZ130241AA
M3 - ASZ130241AB
M4 - ASZ130301AA
M5 - ASZ130301AB
M6 - ASZ130361AA
M7 - ASZ130421AA
M8 - ASZ130481AA
M9 - ASZ130601AA

Control Panel & Cover / Condenser

Image 1

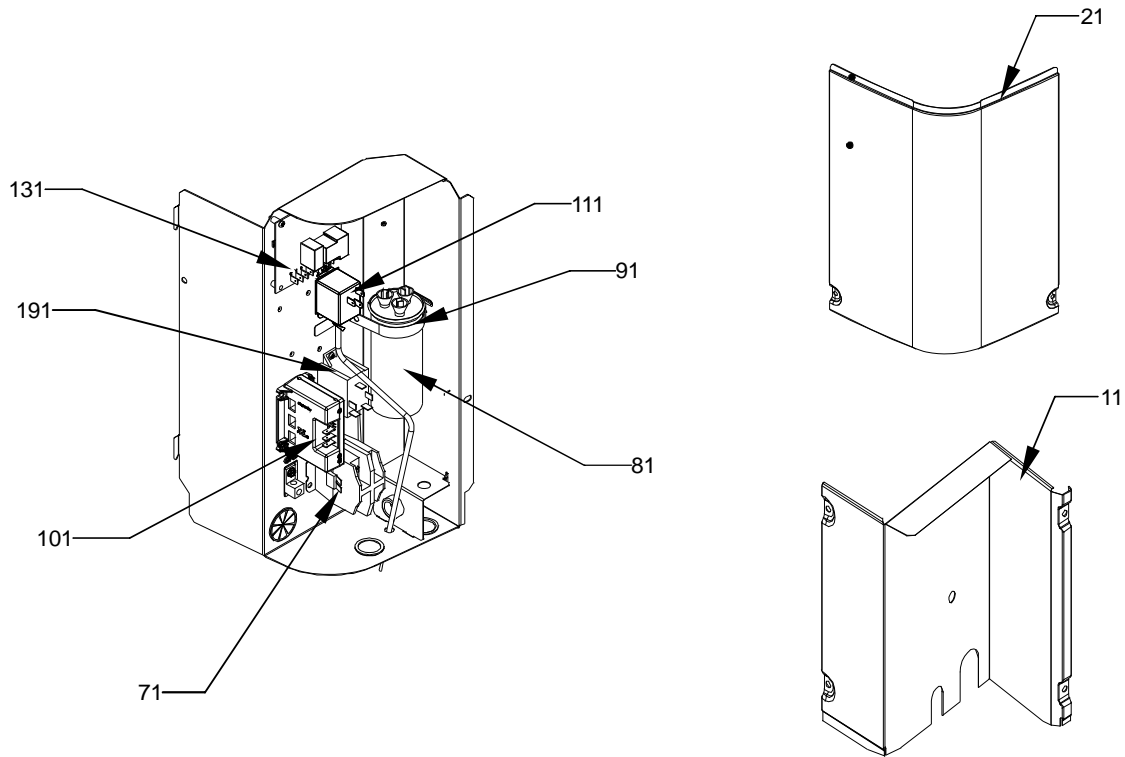
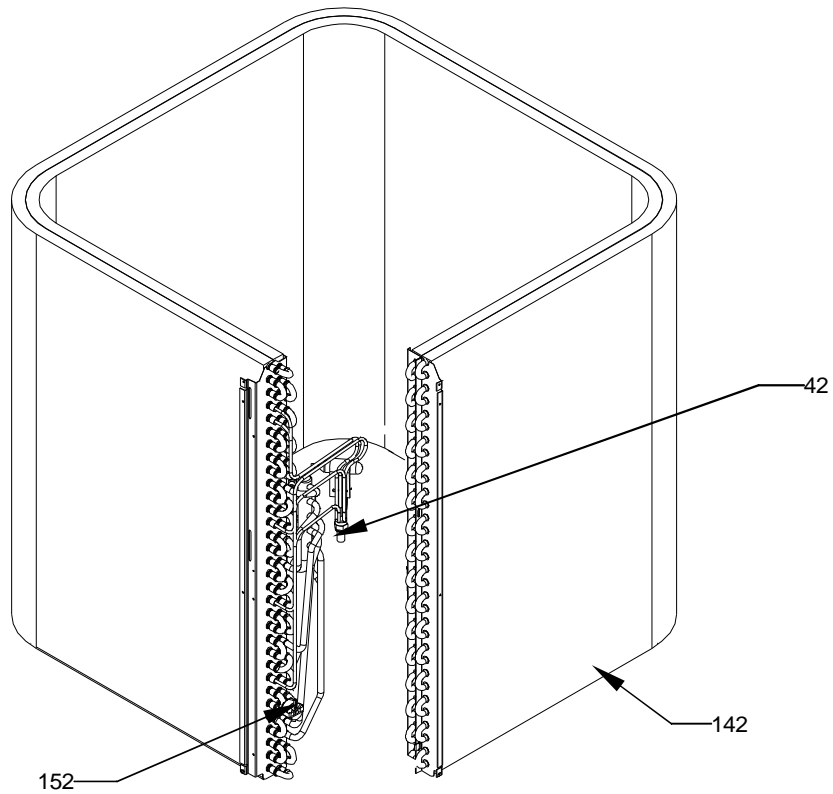


Image 2



Control Panel & Cover / Condenser

Ref. Part No:	Part No:	Description:	Ref. Part No:	Part No:	Description:
---------------	----------	--------------	---------------	----------	--------------

Image 1:

11	4400201PDG	LOWER ACCESS PANEL (M1, M2, M3, M4, M5)
11	4400202PDG	LOWER ACCESS PANEL (M8, M9)
11	4400205PDG	LOWER ACCESS PANEL (M6, M7)
21	0121R00053PDG	CONTROL COVER
71	CONT2P025024VS	CONTACTOR 25 AMP, 2P, 24V (M1, M2, M3, M4, M5, M6, M7)
71	CONT2P030024VS	CONTACTOR 30 AMP, 2P, 24V (M8, M9)
81	CAP050300440RSS	CAPACITOR 5/30/370V (M1)
81	CAP050400440RTS	CAPACITOR 5/40/440V (M2, M3, M4, M5)
81	CAP050450440RTS	CAPACITOR 5/45/440V (M6, M7, M8)
81	CAP050700440RTS	CAPACITOR 5/70/440V (M9)
91	4400065	CAPACITOR STRAP
101	543001200	COMFORT ALERT MODULE
111	0130M00011P	LOW AMBIENT THERMOSTAT, SPDT
131	PCBDM130	DEFROST CONTROL BOARD
191	10135604	RELAY
NS	0161R00010P	AMANA NAMEPLATE

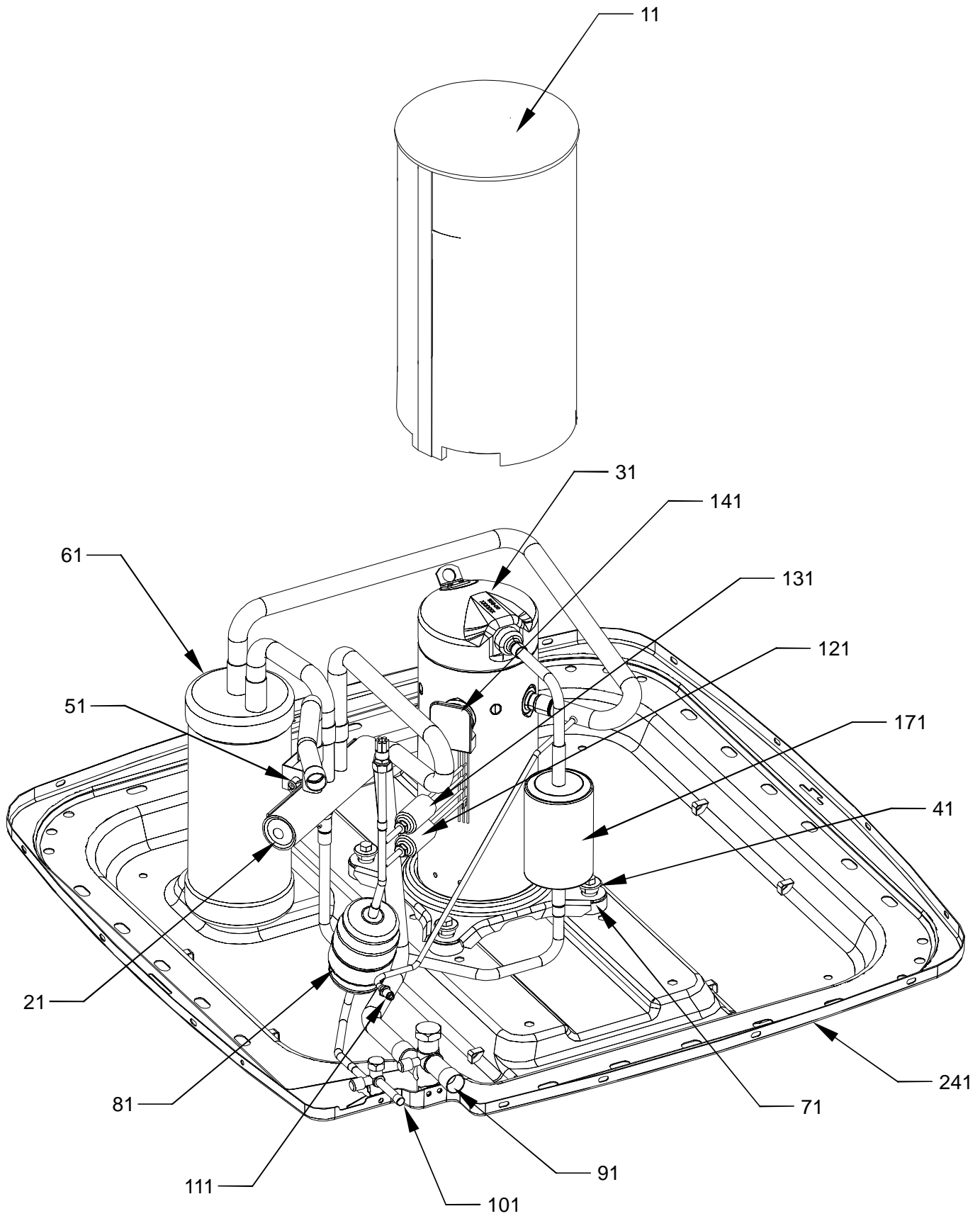
Image 2:

42	0162M00057	FLOWRATOR .039 (M1)
42	0162M00058	FLOWRATOR .043 (M2, M3)
42	0162M00059	FLOWRATOR .049 (M4, M5)
42	0162M00068	FLOWRATOR .055 (M6)
42	0162M00069	FLOWRATOR .059 (M7)
42	0162M00070	FLOWRATOR .059 (M8)
42	0162M00060	FLOWRATOR .065 (M9)
142	0201R00150S	TUBING ASSY, COND COIL (M1)
142	0201R00151S	TUBING ASSY, COND COIL (M6)
142	0201R00152S	TUBING ASSY, COND COIL (M7)
142	0201R00154S	TUBING ASSY, COND COIL (M8)
142	0201R00155S	TUBING ASSY, COND COIL (M9)
142	0201R00156S	TUBING ASSY, COND COIL (M2)
142	0201R00157S	TUBING ASSY, COND COIL (M4)
142	0201R00324	TUBING ASSY, COND COIL (M3)
142	0201R00325	TUBING ASSY, COND COIL (M5)
152	B1370803	DEFROST THERMOSTAT

Expanded Model Nomenclature

M1 - ASZ130181AA
M2 - ASZ130241AA
M3 - ASZ130241AB
M4 - ASZ130301AA
M5 - ASZ130301AB
M6 - ASZ130361AA
M7 - ASZ130421AA
M8 - ASZ130481AA
M9 - ASZ130601AA

Basepan / Compressor / Tubing Assy



Basepan / Compressor / Tubing Assy

Ref. Part No:	No:	Description:	Ref. Part No:	No:	Description:
<i>Image 1:</i>			Expanded Model Nomenclature		
11	B1488806S	COMPRESSOR SOUND BLANKET (M9)	M1	-	ASZ130181AA
11	B1488807S	COMPRESSOR SOUND BLANKET (M6, M7)	M2	-	ASZ130241AA
11	B1488810S	COMPRESSOR SOUND BLANKET (M1, M2, M3, M4, M5)	M3	-	ASZ130241AB
11	B1488811S	COMPRESSOR SOUND BLANKET (M8)	M4	-	ASZ130301AA
21	0151M00018S	REVERSING VALVE (M1, M2, M3, M4, M5)	M5	-	ASZ130301AB
21	0151M00019S	REVERSING VALVE (M6)	M6	-	ASZ130361AA
21	0151M00020S	REVERSING VALVE (M7, M8, M9)	M7	-	ASZ130421AA
31	ZP16K5EPFV830	COMPRESSOR 15500, 208/230/60/1 (M1)	M8	-	ASZ130481AA
31	ZP21K5EPFV830	COMPRESSOR 21300,208/230/60/1 (M2, M3)	M9	-	ASZ130601AA
31	ZP25K5EPFV830	COMPRESSOR 25200, 208/230/60/1 (M4, M5)			
31	ZP31K5EPFV830	COMPRESSOR 31100, 208/230/60/1 (M6)			
31	ZP36K5EPFV830	COMPRESSOR 36200, 208/230/60/1 (M7)			
31	ZP39K5EPFV830	COMPRESSOR 39000, 208/230/60/1 (M8)			
31	ZP51K5EPFV830	COMPRESSOR 51000, 208/230/60/1 (M9)			
41	M0221641	TF SHOULDER SCREW (QTY 4)			
51	B1225020	SOLENOID COIL CORD W/1/4"TERMINAL			
61	B1226206	ACCUMULATOR (M1, M2, M3, M4, M5)			
61	0151R00004P	ACCUMULATOR .750 (M6)			
61	B1226207	ACCUMULATOR .875 (M7, M8, M9)			
71	B1339533	COMPRESSOR GROMMET (QTY 4)			
81	20485201	BI-FLOW FILTER DRIER			
91	0151R00002P	3/4" SERVICE VALVE OPEN LEFT (M1, M2, M3, M4, M5, M6)			
91	0151R00003P	7/8" SERVICE VALVE OPEN LEFT (M7, M8, M9)			
101	B12825171	3/8" SERVICE VALVE			
111	B1787000	VALVE CORE			
121	0130R00000S	LOW PRESSURE SWITCH			
131	20322603	CUT-OUT SWITCH, HIGH PRESSURE			
141	0159R00000P	COMPRESSOR SCROLL HARNESS (M1, M2, M3, M4, M5)			
141	0159R00001P	COMPRESSOR SCROLL HARNESS (M6, M7, M8)			
141	0159R00002P	COMPRESSOR SCROLL HARNESS (M9)			
171	0162R00007	MUFFLER 1/2 X 1/2			
241	0121R00005PDG	BASE PAN 26" (M1, M2, M3, M4, M5)			
241	0121R00006PDG	BASE PAN 29" (M6, M7, M8)			
241	0121R00007PDG	BASE PAN 35" (M9)			
NS	B1789849	FLOW CHECK PISTON KIT .049 (M1)			
NS	B1789857	FLOW CHECK PISTON KIT .057 (M2, M3)			
NS	B1789863	FLOW CHECK PISTON KIT .063 (M4, M5)			
NS	B1789868	FLOW CHECK PISTON KIT .068 (M6)			
NS	B1789874	FLOW CHECK PISTON KIT .074 (M7)			
NS	B1789878	FLOW CHECK PISTON KIT .078 (M8)			
NS	B1789888	FLOW CHECK PISTON KIT .088 (M9)			

THIS PAGE INTENTIONALLY LEFT BLANK