

## ASXS6S Side Discharge Split System Condenser Unit

ASXS6S1810AA  
ASXS6S2410AA  
ASXS6S3010AA  
ASXS6S3610AA  
ASXS6S4210AA  
ASXS6S4810AA  
ASXS6S6010AA



Amana® is a registered trademark of Maytag Corporation or its related companies and is used under license. All rights reserved.

This manual is to be used by qualified technicians only.

© 2022 Goodman Company, L.P. ♦ 19001 Kermier Rd. ♦ Waller, TX 77484

# Important Information

---

## Index

Functional Parts List .....	3
Illustration and Parts .....	4 - 13

*Views shown are for parts illustrations only, not servicing procedures.*

### Text Codes:

AR - As Required

NA - Not Available

NS - Not Shown

00000000 - See Note

QTY - Quantity Example (QTY 3) (If Quantity not shown, Quantity = 1)

M - Model Example (M1) (If M Code not shown, then part is used on all Models)

### Expanded Model Nomenclature:

Example M1 - Model#1 M2 - Model#2 M3 - Model#3
---

Goodman Company, L.P. is not responsible for personal injury or property damage resulting from improper service. Review all service information before beginning repairs.

Warranty service must be performed by an authorized technician, using authorized factory parts. If service is required after the warranty expires, Goodman Company, L.P. also recommends contacting an authorized technician and using authorized factory parts.

Goodman Company, L.P. reserves the right to discontinue, or change at any time, specifications or designs without notice or without incurring obligations.

For assistance within the U.S.A. contact:

Homeowner Support  
Goodman Company, L.P.  
19001 Kermier Road  
Waller, Texas 77484  
877-254-4729-Telephone  
713-863-2382-Facsimile

For assistance outside the U.S.A. contact:

International Division  
Goodman Company, L.P.  
19001 Kermier Road  
Waller, Texas 77484  
713-861-2500-Telephone  
713-863-2382-Facsimile

# Functional Parts

## Part

## No:

## Description:

---

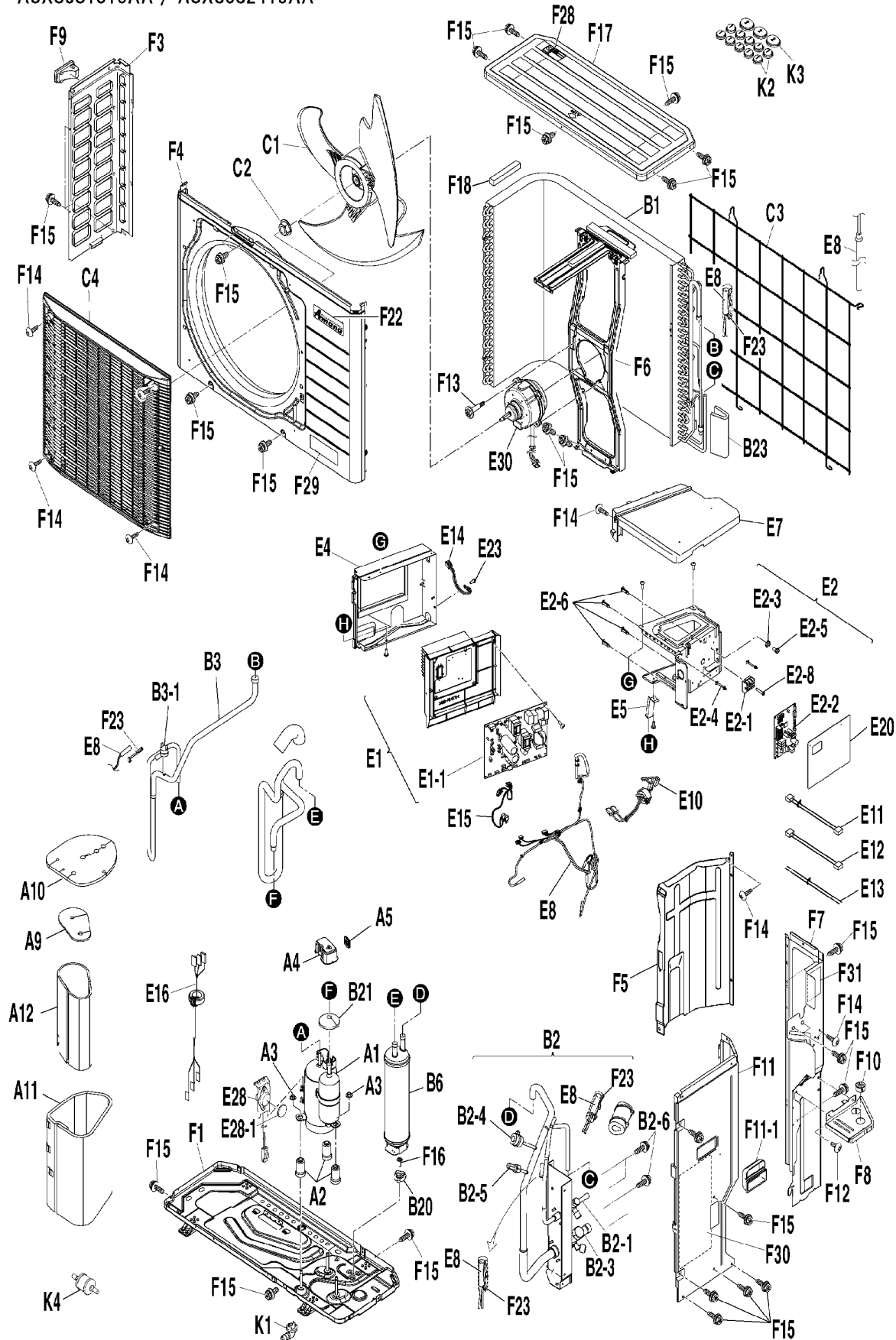
4025333	COMPRESSOR ASSY. (M5, M6)
2545130	COMPRESSOR ASSY. (M1, M2)
2545131	COMPRESSOR ASSY. (M3, M4)
4025334	COMPRESSOR ASSY. (M7)
2545649	DC FAN MOTOR (M3, M4)
2545639	DC FAN MOTOR (M1, M2)
4022882	DC FAN MOTOR (M5, M6, M7)
2534448	HIGH PRESSURE SWITCH
4022182	PRESSURE SENSOR (M5, M6, M7)
2545134	PRESSURE SENSOR (M1, M2, M3, M4)
2546824	PRINTED CIRCUIT BOARD ASSY. (M5, M6)
2546827	PRINTED CIRCUIT BOARD ASSY. (M7)
2545136	PRINTED CIRCUIT BOARD ASSY. (M3, M4)
2545135	PRINTED CIRCUIT BOARD ASSY. (M1, M2)
2545138	PRINTED CIRCUIT BOARD ASSY. (M3, M4)
2545137	PRINTED CIRCUIT BOARD ASSY. (CT) (M1, M2)
4022880	STOP VALVE (M5, M6, M7)

### Expanded Model Nomenclature

M1 - ASXS6S1810AA
M2 - ASXS6S2410AA
M3 - ASXS6S3010AA
M4 - ASXS6S3610AA
M5 - ASXS6S4210AA
M6 - ASXS6S4810AA
M7 - ASXS6S6010AA

# ASXS6S[18-24]10

ASXS6S1810AA / ASXS6S2410AA



Ref No	Drawing No.
1	A1
2	A2
3	A3
4	A4
5	A5
6	A9
7	A10
8	A11
9	A12
10	B1
11	B2
12	B2-1
13	B2-3
14	B2-4
15	B2-5
16	B2-6
17	B3
18	B3-1
19	B6
20	B20
21	B21
22	B23
23	C1
24	C2
25	C3
26	C4
27	E1
28	E1-1
29	E2
30	E2-1
31	E2-2
32	E2-3
33	E2-4
34	E2-5
35	E2-6
36	E2-8
37	E4
38	E5
39	E7
40	E8
41	E10
42	E11
43	E12
44	E13
45	E14
46	E15
47	E16
48	E20
49	E23
50	E28
51	E28-1
52	E30
53	F1
54	F3
55	F4
56	F5
57	F6
58	F7
59	F8
60	F9
61	F10
62	F11
63	F11-1
64	F12
65	F13
66	F14
67	F15
68	F16
69	F17
70	F18
71	F22
72	F23
73	F28
74	F29
75	F30
76	F31
77	K1
78	K2
79	K3
80	K4

# ASXS6S[18-24]10

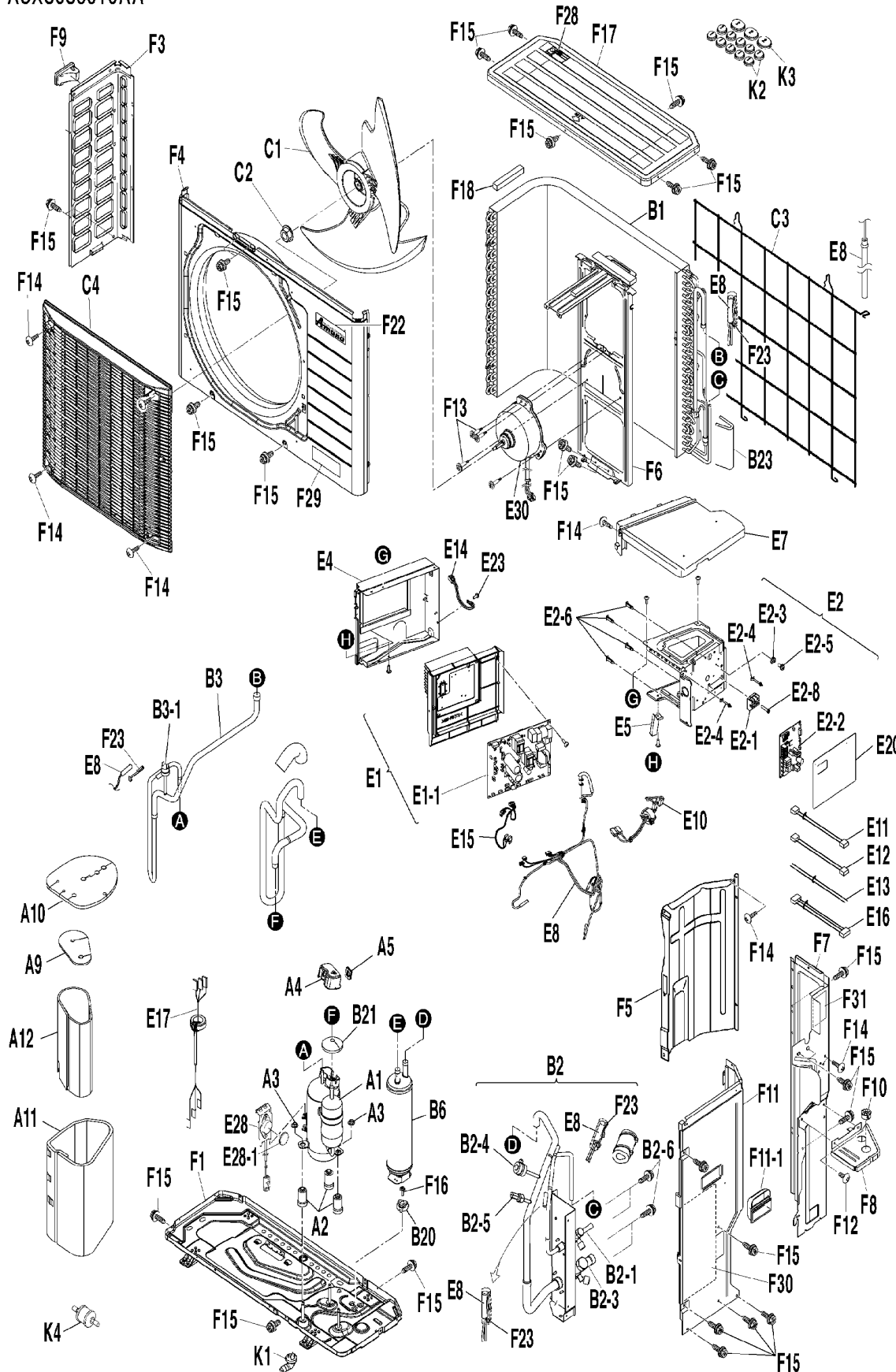
Ref. Part No: No:	Description:	Ref. Part No: No:	Description:
<b>Image 1:</b>		<b>Image 1:</b>	
1	2545130 COMPRESSOR ASSY. (M1, M2)	56	4015722 PARTITION PLATE (M1, M2)
2	128989J VIBRATION ABSORBER (M1, M2)	57	4020024 FAN MOTOR STAND ASSY. (M1, M2)
3	4010410 WASHER (NUT WITH WASHER) (M1, M2)	58	2540384 REAR PLATE ASSY. (M1, M2)
4	2425597 TERMINAL COVER (M1, M2)	59	2425681 CONDUIT MOUNTING PLATE ASSY. (M1, M2)
5	040139J RUBBER BUSH/ LEAD WIRE (M1, M2)	60	4015625 HANDLE (LEFT) (M1, M2)
6	2493893 SOUND INSULATION (INNER TOP) (M1, M2)	61	2494098 WIRING PROTECTION BUSH (M1, M2)
7	2545644 SOUND INSULATION (OUTER TOP) (M1, M2)	62	2545153 RIGHT SIDE PLATE ASSY. (M1, M2)
8	2534459 SOUND INSULATION (OUTER BODY) (M1, M2)	63	2548908 HANDLE ASSY. (M1, M2)
9	2493747 SOUND INSULATION (INNER BODY) (M1, M2)	64	030990J TRUSS TAPPING SCREW (M1, M2)
10	4025335 HEAT EXCHANGER ASSY. (M1, M2)	65	2120405 HEX TAPPING SCREW (3) (M1, M2)
11	NA STOP VALVE ASSY. (GAS/LIQUID) (M1, M2)	66	008203J TRUSS HEAD TAPPING SCREW (M1, M2)
12	2493754 LIQUID STOP VALVE ASSY. (M1, M2)	67	109224J HEX HEAD TAPPING SCREW (M1, M2)
13	2493761 GAS STOP VALVE ASSY. (M1, M2)	68	1821022 TAPPING SCREW (M1, M2)
14	2545134 PRESSURE SENSOR (M1, M2)	69	4015623 TOP PLATE ASSY. (M1, M2)
15	1721122 FUSIBLE PLUG (M1, M2)	70	4015634 CUSHION MATERIAL (HEAT EXCHANGER) (M1, M2)
16	109224J HEX HEAD TAPPING SCREW (M1, M2)		
17	NA DISCHARGE PIPE ASSY. (M1, M2)	71	2548909 BRAND NAME LABEL (M1, M2)
18	2534448 HIGH PRESSURE SWITCH (M1, M2)	72	042396J FITTING SPRING/ THERMISTOR (M1, M2)
19	2548907 ACCUMULATOR ASSY. (M1, M2)	73	2534034 LABEL (M1, M2)
20	380116J CUSHION RUBBER/ ACCUMULATOR (M1, M2)	74	4023075 CAUTION LABEL (ROTATING) (M1, M2)
21	112853J VIBRATION ISOLATOR PUTTY (M1, M2)	75	NA COLLECTIVE INDICATIONS LABEL (M1, M2)
22	1666085 SOUNDPROOF PUTTY (M1, M2)	76	NA CAUTION LABEL (ELECTRIC SHOCK) (M1, M2)
23	4016827 PROPELLER FAN ASSY. (M1, M2)	77	058956J DRAIN JOINT (M1, M2)
24	847003J LOCK NUT/ FAN (M1, M2)	78	2253709 CAP 1 (DRAIN) (M1, M2)
25	2425643 PROTECTION NET (M1, M2)	79	2253716 CAP 2 (DRAIN) (M1, M2)
26	4022196 DISCHARGE GRILLE ASSY. (M1, M2)	80	2545851 FILTER DRIER (M1, M2)
27	2545630 EL. COMPO. MOUNTING PLATE ASSY. (M1, M2)		
28	2545135 PRINTED CIRCUIT BOARD ASSY. (M1, M2)		
29	NA EL. COMPO. BOX ASSY. (M1, M2)		
30	4022185 TERMINAL BLOCK (M1, M2)		
31	2545137 PRINTED CIRCUIT BOARD ASSY. (CT) (M1, M2)		
32	071124J CUP WASHER (M1, M2)		
33	1233757 LOCKING CARD SPACER (M1, M2)		
34	119839J TAPPING SCREW (M1, M2)		
35	1728464 SPACER (PCB) (M1, M2)		
36	1796234 PAN HEAD TAPPING SCREW (M1, M2)		
37	NA EL. COMPO. BOX ASSY. (1) (M1, M2)		
38	2545634 STAY (M1, M2)		
39	2545643 EL. COMPO. BOX COVER ASSY. (M1, M2)		
40	2545139 THERMISTOR ASSY. (M1, M2)		
41	2545140 WIRE HARNESS ASSY. (POWER) (M1, M2)		
42	2545141 WIRE HARNESS ASSY. (CT POWER) (M1, M2)		
43	2545635 WIRE HARNESS ASSY. (ACS) (M1, M2)		
44	2545636 WIRE HARNESS ASSY. (COMMUNICATION) (M1, M2)		
45	2545637 EARTH WIRE (M1, M2)		
46	2545638 WIRE HARNESS ASSY. (HPS/OL) (M1, M2)		
47	2545142 WIRE HARNESS ASSY. (COMP.) (M1, M2)		
48	2545657 INSULATION SHEET (M1, M2)		
49	113783J TAPPING SCREW (M1, M2)		
50	2428510 OVERLOAD PROTECTOR (M1, M2)		
51	2428527 RADIATION SHEET (M1, M2)		
52	2545639 DC FAN MOTOR (M1, M2)		
53	2545642 BOTTOM FRAME ASSY. (M1, M2)		
54	4015619 SIDE PLATE (LEFT) (M1, M2)		
55	4015620 FRONT PLATE (M1, M2)		

**Expanded Model Nomenclature**

M1 - ASXS6S1810AA
M2 - ASXS6S2410AA
M3 - ASXS6S3010AA
M4 - ASXS6S3610AA
M5 - ASXS6S4210AA
M6 - ASXS6S4810AA
M7 - ASXS6S6010AA

# ASXS6S3010

ASXS6S3010AA



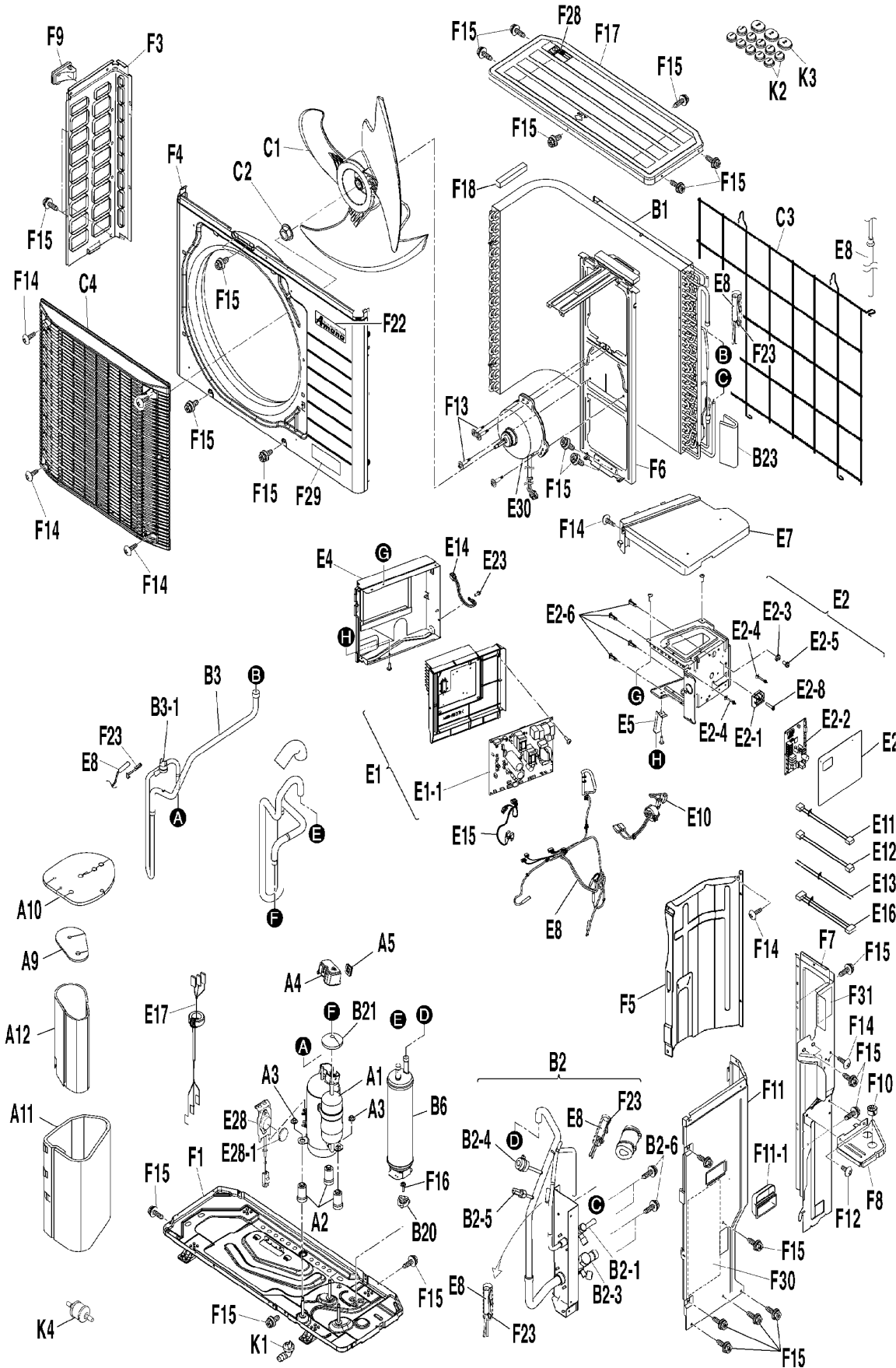
Ref No	Drawing No.
1	A1
2	A2
3	A3
4	A4
5	A5
6	A9
7	A10
8	A11
9	A12
10	B1
11	B2
12	B2-1
13	B2-3
14	B2-4
15	B2-5
16	B2-6
17	B3
18	B3-1
19	B6
20	B20
21	B21
22	B23
23	C1
24	C2
25	C3
26	C4
27	E1
28	E1-1
29	E2
30	E2-1
31	E2-2
32	E2-3
33	E2-4
34	E2-5
35	E2-6
36	E2-8
37	E4
38	E5
39	E7
40	E8
41	E10
42	E11
43	E12
44	E13
45	E14
46	E15
47	E16
48	E17
49	E20
50	E23
51	E28
52	E28-1
53	E30
54	F1
55	F3
56	F4
57	F5
58	F6
59	F7
60	F8
61	F9
62	F10
63	F11
64	F11-1
65	F12
66	F13
67	F14
68	F15
69	F16
70	F17
71	F18
72	F22
73	F23
74	F28
75	F29
76	F30
77	F31
78	K1
79	K2
80	K3
81	K4

# ASXS6S3010

Ref. Part No: No:	Description:	Ref. Part No: No:	Description:							
<b>Image 1:</b>		<b>Image 1:</b>								
1	2545131 COMPRESSOR ASSY. (M3)	56	4015620 FRONT PLATE (M3)							
2	128989J VIBRATION ABSORBER (M3)	57	4015722 PARTITION PLATE (M3)							
3	4010410 WASHER (NUT WITH WASHER) (M3)	58	2545650 FAN MOTOR STAND ASSY. (M3)							
4	2425597 TERMINAL COVER (M3)	59	2540384 REAR PLATE ASSY. (M3)							
5	040139J RUBBER BUSH/ LEAD WIRE (M3)	60	2425681 CONDUIT MOUNTING PLATE ASSY. (M3)							
6	2493893 SOUND INSULATION (INNER TOP) (M3)	61	4015625 HANDLE (LEFT) (M3)							
7	2545644 SOUND INSULATION (OUTER TOP) (M3)	62	2494098 WIRING PROTECTION BUSH (M3)							
8	2534459 SOUND INSULATION (OUTER BODY) (M3)	63	2545153 RIGHT SIDE PLATE ASSY. (M3)							
9	2493747 SOUND INSULATION (INNER BODY) (M3)	64	2548908 HANDLE ASSY. (M3)							
10	4025335 HEAT EXCHANGER ASSY. (M3)	65	030990J TRUSS TAPPING SCREW (M3)							
11	NA STOP VALVE ASSY. (GAS/LIQUID) (M3)	66	2120405 HEX TAPPING SCREW (3) (M3)							
12	2493754 LIQUID STOP VALVE ASSY. (M3)	67	008203J TRUSS HEAD TAPPING SCREW (M3)							
13	2545133 GAS STOP VALVE ASSY. (M3)	68	109224J HEX HEAD TAPPING SCREW (M3)							
14	2545134 PRESSURE SENSOR (M3)	69	1821022 TAPPING SCREW (M3)							
15	1721122 FUSIBLE PLUG (M3)	70	4015623 TOP PLATE ASSY. (M3)							
16	109224J HEX HEAD TAPPING SCREW (M3)	71	4015634 CUSHION MATERIAL (HEAT EXCHANGER) (M3)							
17	NA DISCHARGE PIPE ASSY. (M3)	72	2548909 BRAND NAME LABEL (M3)							
18	2534448 HIGH PRESSURE SWITCH (M3)	73	042396J FITTING SPRING/ THERMISTOR (M3)							
19	2548907 ACCUMULATOR ASSY. (M3)	74	2534034 LABEL (M3)							
20	380116J CUSHION RUBBER/ ACCUMULATOR (M3)	75	4023075 CAUTION LABEL (ROTATING) (M3)							
21	112853J VIBRATION ISOLATOR PUTTY (M3)	76	NA COLLECTIVE INDICATIONS LABEL (M3)							
22	1666085 SOUNDPROOF PUTTY (M3)	77	NA CAUTION LABEL (ELECTRIC SHOCK) (M3)							
23	4016827 PROPELLER FAN ASSY. (M3)	78	058956J DRAIN JOINT (M3)							
24	847003J LOCK NUT/ FAN (M3)	79	2253709 CAP 1 (DRAIN) (M3)							
25	2425643 PROTECTION NET (M3)	80	2253716 CAP 2 (DRAIN) (M3)							
26	4022196 DISCHARGE GRILLE ASSY. (M3)	81	2545851 FILTER DRIER (M3)							
27	2545645 EL. COMPO. MOUNTING PLATE ASSY. (M3)	<b>Expanded Model Nomenclature</b>								
28	2545136 PRINTED CIRCUIT BOARD ASSY. (M3)	<table border="1"> <tr> <td>M1 - ASXS6S1810AA</td> </tr> <tr> <td>M2 - ASXS6S2410AA</td> </tr> <tr> <td>M3 - ASXS6S3010AA</td> </tr> <tr> <td>M4 - ASXS6S3610AA</td> </tr> <tr> <td>M5 - ASXS6S4210AA</td> </tr> <tr> <td>M6 - ASXS6S4810AA</td> </tr> <tr> <td>M7 - ASXS6S6010AA</td> </tr> </table>		M1 - ASXS6S1810AA	M2 - ASXS6S2410AA	M3 - ASXS6S3010AA	M4 - ASXS6S3610AA	M5 - ASXS6S4210AA	M6 - ASXS6S4810AA	M7 - ASXS6S6010AA
M1 - ASXS6S1810AA										
M2 - ASXS6S2410AA										
M3 - ASXS6S3010AA										
M4 - ASXS6S3610AA										
M5 - ASXS6S4210AA										
M6 - ASXS6S4810AA										
M7 - ASXS6S6010AA										
29	NA EL. COMPO. BOX ASSY. (M3)									
30	4022185 TERMINAL BLOCK (M3)									
31	2545138 PRINTED CIRCUIT BOARD ASSY. (M3)									
32	071124J CUP WASHER (M3)									
33	1233757 LOCKING CARD SPACER (M3)									
34	119839J TAPPING SCREW (M3)									
35	1728464 SPACER (PCB) (M3)									
36	1796234 PAN HEAD TAPPING SCREW (M3)									
37	NA EL. COMPO. BOX ASSY. (1) (M3)									
38	2545634 STAY (M3)									
39	2545643 EL. COMPO. BOX COVER ASSY. (M3)									
40	2545139 THERMISTOR ASSY. (M3)									
41	2545140 WIRE HARNESS ASSY. (POWER) (M3)									
42	2545141 WIRE HARNESS ASSY. (CT POWER) (M3)									
43	2545635 WIRE HARNESS ASSY. (ACS) (M3)									
44	2545636 WIRE HARNESS ASSY. (COMMUNICATION) (M3)									
45	2545637 EARTH WIRE (M3)									
46	2545638 WIRE HARNESS ASSY. (HPS/OL) (M3)									
47	2545648 WIRE HARNESS ASSY. (FAN MOTOR RELAY) (M3)									
48	2545142 WIRE HARNESS ASSY. (COMP.) (M3)									
49	2545657 INSULATION SHEET (M3)									
50	113783J TAPPING SCREW (M3)									
51	2428510 OVERLOAD PROTECTOR (M3)									
52	2428527 RADIATION SHEET (M3)									
53	2545649 DC FAN MOTOR (M3)									
54	2545642 BOTTOM FRAME ASSY. (M3)									
55	4015619 SIDE PLATE (LEFT) (M3)									

# ASXS6S3610

ASXS6S3610



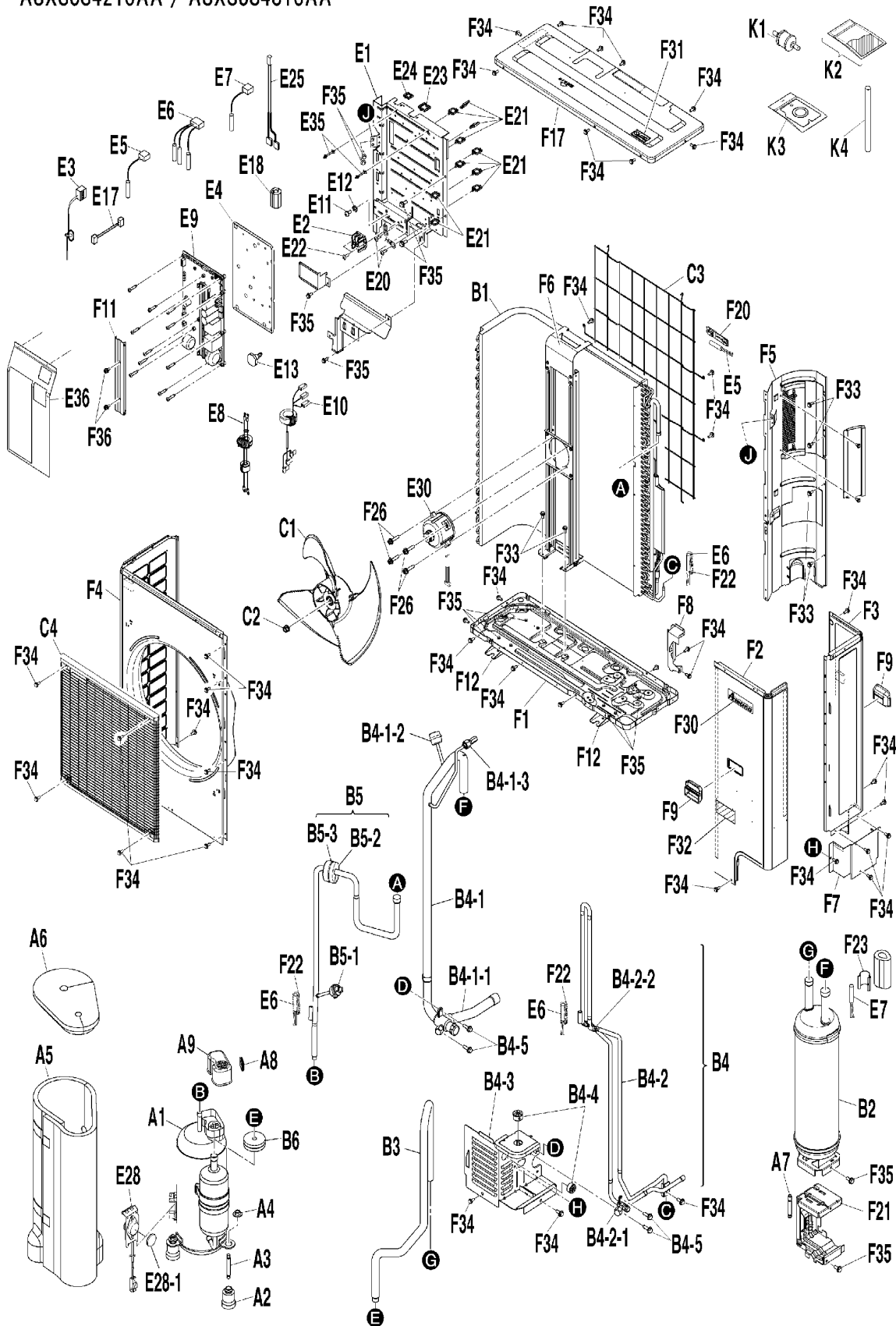
Ref No	Drawing No.
1	A1
2	A2
3	A3
4	A4
5	A5
6	A9
7	A10
8	A11
9	A12
10	B1
11	B2
12	B2-1
13	B2-3
14	B2-4
15	B2-5
16	B2-6
17	B3
18	B3-1
19	B6
20	B20
21	B21
22	B23
23	C1
24	C2
25	C3
26	C4
27	E1
28	E1-1
29	E2
30	E2-1
31	E2-2
32	E2-3
33	E2-4
34	E2-5
35	E2-6
36	E2-8
37	E4
38	E5
39	E7
40	E8
41	E10
42	E11
43	E12
44	E13
45	E14
46	E15
47	E16
48	E17
49	E20
50	E23
51	E28
52	E28-1
53	E30
54	F1
55	F3
56	F4
57	F5
58	F6
59	F7
60	F8
61	F9
62	F10
63	F11
64	F11-1
65	F12
66	F13
67	F14
68	F15
69	F16
70	F17
71	F18
72	F22
73	F23
74	F28
75	F29
76	F30
77	F31
78	K1
79	K2
80	K3
81	K4

# ASXS6S3610

Ref. Part No: No:	Description:	Ref. Part No: No:	Description:							
<b>Image 1:</b>		<b>Image 1:</b>								
1	2545131 COMPRESSOR ASSY. (M4)	56	4015620 FRONT PLATE (M4)							
2	128989J VIBRATION ABSORBER (M4)	57	4015722 PARTITION PLATE (M4)							
3	4010410 WASHER (NUT WITH WASHER) (M4)	58	2545658 FAN MOTOR STAND ASSY. (M4)							
4	2425597 TERMINAL COVER (M4)	59	2540384 REAR PLATE ASSY. (M4)							
5	040139J RUBBER BUSH/ LEAD WIRE (M4)	60	2425681 CONDUIT MOUNTING PLATE ASSY. (M4)							
6	2493893 SOUND INSULATION (INNER TOP) (M4)	61	4015625 HANDLE (LEFT) (M4)							
7	2545644 SOUND INSULATION (OUTER TOP) (M4)	62	2494098 WIRING PROTECTION BUSH (M4)							
8	2534459 SOUND INSULATION (OUTER BODY) (M4)	63	2545153 RIGHT SIDE PLATE ASSY. (M4)							
9	2493747 SOUND INSULATION (INNER BODY) (M4)	64	2548908 HANDLE ASSY. (M4)							
10	2545132 HEAT EXCHANGER ASSY. (M4)	65	030990J TRUSS TAPPING SCREW (M4)							
11	NA STOP VALVE ASSY. (GAS/LIQUID) (M4)	66	2120405 HEX TAPPING SCREW (3) (M4)							
12	2493754 LIQUID STOP VALVE ASSY. (M4)	67	008203J TRUSS HEAD TAPPING SCREW (M4)							
13	2545133 GAS STOP VALVE ASSY. (M4)	68	109224J HEX HEAD TAPPING SCREW (M4)							
14	2545134 PRESSURE SENSOR (M4)	69	1821022 TAPPING SCREW (M4)							
15	1721122 FUSIBLE PLUG (M4)	70	4015623 TOP PLATE ASSY. (M4)							
16	109224J HEX HEAD TAPPING SCREW (M4)	71	4015634 CUSHION MATERIAL (HEAT EXCHANGER) (M4)							
17	NA DISCHARGE PIPE ASSY. (M4)	72	2548909 BRAND NAME LABEL (M4)							
18	2534448 HIGH PRESSURE SWITCH (M4)	73	042396J FITTING SPRING/ THERMISTOR (M4)							
19	2548907 ACCUMULATOR ASSY. (M4)	74	2534034 LABEL (M4)							
20	380116J CUSHION RUBBER/ ACCUMULATOR (M4)	75	4023075 CAUTION LABEL (ROTATING) (M4)							
21	112853J VIBRATION ISOLATOR PUTTY (M4)	76	NA COLLECTIVE INDICATIONS LABEL (M4)							
22	1666085 SOUNDPROOF PUTTY (M4)	77	NA CAUTION LABEL (ELECTRIC SHOCK) (M4)							
23	4016827 PROPELLER FAN ASSY. (M4)	78	058956J DRAIN JOINT (M4)							
24	847003J LOCK NUT/ FAN (M4)	79	2253709 CAP 1 (DRAIN) (M4)							
25	2425643 PROTECTION NET (M4)	80	2253716 CAP 2 (DRAIN) (M4)							
26	4022196 DISCHARGE GRILLE ASSY. (M4)	81	2545851 FILTER DRIER (M4)							
27	2545645 EL. COMPO. MOUNTING PLATE ASSY. (M4)	<b>Expanded Model Nomenclature</b>								
28	2545136 PRINTED CIRCUIT BOARD ASSY. (M4)	<table border="1"> <tr> <td>M1 - ASXS6S1810AA</td> </tr> <tr> <td>M2 - ASXS6S2410AA</td> </tr> <tr> <td>M3 - ASXS6S3010AA</td> </tr> <tr> <td>M4 - ASXS6S3610AA</td> </tr> <tr> <td>M5 - ASXS6S4210AA</td> </tr> <tr> <td>M6 - ASXS6S4810AA</td> </tr> <tr> <td>M7 - ASXS6S6010AA</td> </tr> </table>		M1 - ASXS6S1810AA	M2 - ASXS6S2410AA	M3 - ASXS6S3010AA	M4 - ASXS6S3610AA	M5 - ASXS6S4210AA	M6 - ASXS6S4810AA	M7 - ASXS6S6010AA
M1 - ASXS6S1810AA										
M2 - ASXS6S2410AA										
M3 - ASXS6S3010AA										
M4 - ASXS6S3610AA										
M5 - ASXS6S4210AA										
M6 - ASXS6S4810AA										
M7 - ASXS6S6010AA										
29	NA EL. COMPO. BOX ASSY. (M4)									
30	4022185 TERMINAL BLOCK (M4)									
31	2545138 PRINTED CIRCUIT BOARD ASSY. (M4)									
32	071124J CUP WASHER (M4)									
33	1233757 LOCKING CARD SPACER (M4)									
34	119839J TAPPING SCREW (M4)									
35	1728464 SPACER (PCB) (M4)									
36	1796234 PAN HEAD TAPPING SCREW (M4)									
37	NA EL. COMPO. BOX ASSY. (1) (M4)									
38	2545634 STAY (M4)									
39	2545643 EL. COMPO. BOX COVER ASSY. (M4)									
40	2545139 THERMISTOR ASSY. (M4)									
41	2545140 WIRE HARNESS ASSY. (POWER) (M4)									
42	2545141 WIRE HARNESS ASSY. (CT POWER) (M4)									
43	2545635 WIRE HARNESS ASSY. (ACS) (M4)									
44	2545636 WIRE HARNESS ASSY. (COMMUNICATION) (M4)									
45	2545637 EARTH WIRE (M4)									
46	2545638 WIRE HARNESS ASSY. (HPS/OL) (M4)									
47	2545648 WIRE HARNESS ASSY. (FAN MOTOR RELAY) (M4)									
48	2545142 WIRE HARNESS ASSY. (COMP.) (M4)									
49	2545657 INSULATION SHEET (M4)									
50	113783J TAPPING SCREW (M4)									
51	2428510 OVERLOAD PROTECTOR (M4)									
52	2428527 RADIATION SHEET (M4)									
53	2545649 DC FAN MOTOR (M4)									
54	2545642 BOTTOM FRAME ASSY. (M4)									
55	4015619 SIDE PLATE (LEFT) (M4)									

# ASXS6S[42-48]10

ASXS6S4210AA / ASXS6S4810AA



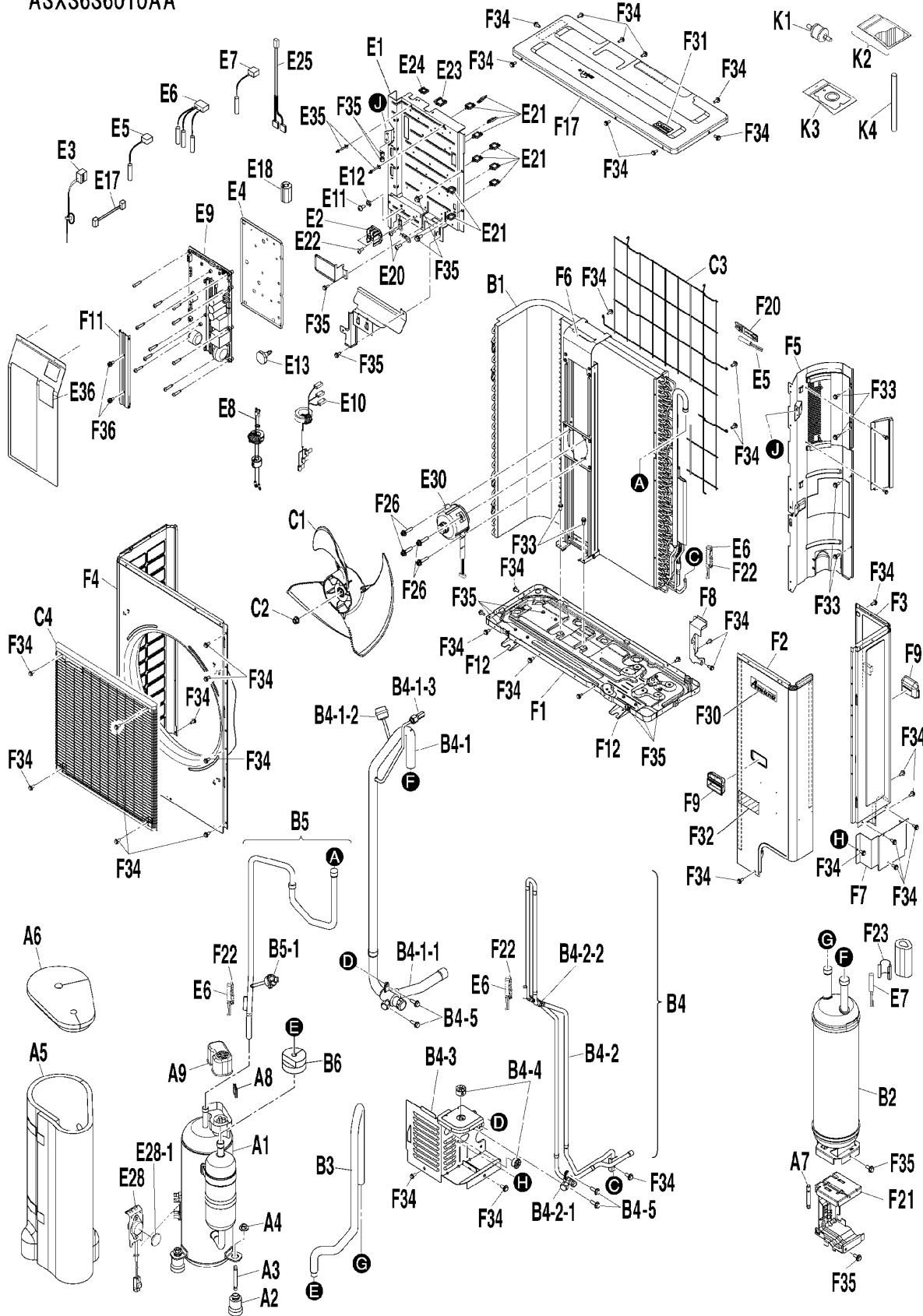
Ref No	Drawing No.
1	A1
2	A2
3	A3
4	A4
5	A5
6	A6
7	A7
8	A8
9	A9
10	B1
11	B2
12	B3
13	B4
14	B4-1
15	B4-1-1
16	B4-1-2
17	B4-1-3
18	B4-2
19	B4-2-1
20	B4-2-2
21	B4-3
22	B4-4
23	B4-5
24	B5
25	B5-1
26	B5-2
27	B5-3
28	B6
29	C1
30	C2
31	C3
32	C4
33	E1
34	E2
35	E3
36	E4
37	E5
38	E6
39	E7
40	E8
41	E9
42	E10
43	E11
44	E12
45	E13
46	E17
47	E18
48	E20
49	E21
50	E22
51	E23
52	E24
53	E25
54	E28
55	E28-1
56	E30
57	E35
58	E36
59	F1
60	F2
61	F3
62	F4
63	F5
64	F6
65	F7
66	F8
67	F9
68	F11
69	F12
70	F17
71	F20
72	F21
73	F22
74	F23
75	F26
76	F30
77	F31
78	F32
79	F33
80	F34
81	F35
82	F36
83	K1
84	K2
85	K3
86	K4

# ASXS6S[42-48]10

Ref. Part No: No:	Description:	Ref. Part No: No:	Description:							
<b>Image 1:</b>		<b>Image 1:</b>								
1	4025333 COMPRESSOR ASSY. (M5, M6)	55	2428527 RADIATION SHEET (M5, M6)							
2	2274364 RUBBER VIBRATION ISOLATOR ASSY. (M5, M6)	56	4022882 DC FAN MOTOR (M5, M6)							
3	2119809 COMPRESSOR MOUNTING BOLT (M5, M6)	57	1233757 LOCKING CARD SPACER (M5, M6)							
4	4010410 WASHER (NUT WITH WASHER) (M5, M6)	58	NA CAUTION LABEL (ELECTRIC SHOCK) (M5, M6)							
5	2493918 COMPRESSOR SOUNDPROOF (M5, M6)	59	4010465 BOTTOM FRAME (M5, M6)							
6	4024830 SOUND ABSORBING MATERIAL (M5, M6)	60	2493970 FRONT PLATE (2) (M5, M6)							
7	076850J SET BOLT/ COMPRESSOR (M5, M6)	61	2493987 SIDE PLATE (RIGHT) (M5, M6)							
8	040139J RUBBER BUSH/ LEAD WIRE (M5, M6)	62	2493994 FRONT PLATE (1) (M5, M6)							
9	2425597 TERMINAL COVER (M5, M6)	63	2425814 PARTITION PLATE ASSY. (M5, M6)							
10	4022878 HEAT EXCHANGER ASSY. (M5, M6)	64	4020063 FAN MOTOR STAND ASSY. (M5, M6)							
11	2425737 ACCUMULATOR ASSY. (M5, M6)	65	2494005 SIDE COVER (M5, M6)							
12	NA SUCTION PIPE (2) (M5, M6)	66	2425845 REAR COVER (M5, M6)							
13	NA REFRIGERANT PIPE ASSY. (M5, M6)	67	092045J HANDLE (M5, M6)							
14	NA GAS STOP VALVE ASSY. (M5, M6)	68	4020038 COVER (M5, M6)							
15	4022880 STOP VALVE (M5, M6)	69	4009049 ANCHOR FLAME (M5, M6)							
16	4022182 PRESSURE SENSOR (M5, M6)	70	2494012 TOP PLATE (M5, M6)							
17	1721122 FUSIBLE PLUG (M5, M6)	71	157132J THERMISTOR FIXING PLATE (M5, M6)							
18	NA LIQUID PIPE ASSY. (M5, M6)	72	4008212 MOUNTING PLATE (M5, M6)							
19	2494649 LIQUID STOP VALVE ASSY. (M5, M6)	73	042396J FITTING SPRING/ THERMISTOR (M5, M6)							
20	2433132 PIPING FIXTURE (M5, M6)	74	2031411 FEELER BULB CLAMP (M5, M6)							
21	2494656 STOP VALVE MOUNTING PLATE (M5, M6)	75	2120405 HEX TAPPING SCREW (3) (M5, M6)							
22	2494098 WIRING PROTECTION BUSH (M5, M6)	76	2548909 BRAND NAME LABEL (M5, M6)							
23	162753J SCREW/ C TIGHT CUP (M5, M6)	77	2534034 LABEL (M5, M6)							
24	NA DISCHARGE PIPE ASSY. (M5, M6)	78	4023075 CAUTION LABEL (ROTATING) (M5, M6)							
25	2534448 HIGH PRESSURE SWITCH (M5, M6)	79	1905191 HEX HEAD TAPPING (M5, M6)							
26	980752J PIPING WEIGHT (M5, M6)	80	049594J HEX HEAD TAPPING SCREW (M5, M6)							
27	980761J WEIGHT CLIP (M5, M6)	81	131453J TRUSS HEAD TAPPING SCREW (M5, M6)							
28	112853J VIBRATION ISOLATOR PUTTY (M5, M6)	82	4016867 HEX BOLT (M5, M6)							
29	1864005 FAN BLADE (M5, M6)	83	2545851 FILTER DRIER (M5, M6)							
30	847003J LOCK NUT/ FAN (M5, M6)	84	2494067 GREASE ASSY. (M5, M6)							
31	2425744 SUCTION GRILLE ASSY. (M5, M6)	85	NA PATCH PLATE ASSY. (M5, M6)							
32	2545655 DISCHARGE GRILLE ASSY. (M5, M6)	86	2223506 ELECTRIC INSULATION (M5, M6)							
33	2546825 EL. COMPO. MOUNTING PLATE (M5, M6)	<b>Expanded Model Nomenclature</b>								
34	2425751 TERMINAL BLOCK (M5, M6)	<table border="1"> <tr> <td>M1 - ASXS6S1810AA</td> </tr> <tr> <td>M2 - ASXS6S2410AA</td> </tr> <tr> <td>M3 - ASXS6S3010AA</td> </tr> <tr> <td>M4 - ASXS6S3610AA</td> </tr> <tr> <td>M5 - ASXS6S4210AA</td> </tr> <tr> <td>M6 - ASXS6S4810AA</td> </tr> <tr> <td>M7 - ASXS6S6010AA</td> </tr> </table>		M1 - ASXS6S1810AA	M2 - ASXS6S2410AA	M3 - ASXS6S3010AA	M4 - ASXS6S3610AA	M5 - ASXS6S4210AA	M6 - ASXS6S4810AA	M7 - ASXS6S6010AA
M1 - ASXS6S1810AA										
M2 - ASXS6S2410AA										
M3 - ASXS6S3010AA										
M4 - ASXS6S3610AA										
M5 - ASXS6S4210AA										
M6 - ASXS6S4810AA										
M7 - ASXS6S6010AA										
35	2425768 WIRE HARNESS ASSY. (FOR COMMUNICATION) (M5, M6)									
36	2534582 INSULATION SHEET (M5, M6)									
37	2425775 THERMISTOR (AIR) (M5, M6)									
38	2425782 THERMISTOR ASSY. (M5, M6)									
39	2425799 THERMISTOR (SUCTION) (M5, M6)									
40	2493949 WIRE HARNESS ASSY. (POWER) (M5, M6)									
41	2546824 PRINTED CIRCUIT BOARD ASSY. (M5, M6)									
42	2545654 WIRE HARNESS ASSY. (COMP.) (M5, M6)									
43	119839J TAPPING SCREW (M5, M6)									
44	071124J CUP WASHER (M5, M6)									
45	2494687 RIVET (M5, M6)									
46	2493963 WIRE HARNESS ASSY. (PCB-OL CONNECTION) (M5, M6)									
47	5009491 FERRITE CORE (M5, M6)									
48	113783J TAPPING SCREW (M5, M6)									
49	352004 WIRE CLIP (M5, M6)									
50	827920J TAPPING SCREW (M5, M6)									
51	099951J EDGE SADDLE (M5, M6)									
52	094708J EDGE SADDLE (M5, M6)									
53	2534508 WIRE HARNESS ASSY. (HPS) (M5, M6)									
54	2433017 RETAINER ASSY. (M5, M6)									

# ASXS6S6010

ASXS6S6010AA



Ref No	Drawing No.
1	A1
2	A2
3	A3
4	A4
5	A5
6	A6
7	A7
8	A8
9	A9
10	B1
11	B2
12	B3
13	B4
14	B4-1
15	B4-1-1
16	B4-1-2
17	B4-1-3
18	B4-2
19	B4-2-1
20	B4-2-2
21	B4-3
22	B4-4
23	B4-5
24	B5
25	B5-1
26	B6
27	C1
28	C2
29	C3
30	C4
31	E1
32	E2
33	E3
34	E4
35	E5
36	E6
37	E7
38	E8
39	E9
40	E10
41	E11
42	E12
43	E13
44	E17
45	E18
46	E20
47	E21
48	E22
49	E23
50	E24
51	E25
52	E28
53	E28-1
54	E30
55	E35
56	E36
57	F1
58	F2
59	F3
60	F4
61	F5
62	F6
63	F7
64	F8
65	F9
66	F11
67	F12
68	F17
69	F20
70	F21
71	F22
72	F23
73	F26
74	F30
75	F31
76	F32
77	F33
78	F34
79	F35
80	F36
81	K1
82	K2
83	K3
84	K4

# ASXS6S6010

Ref. Part No:	Part No:	Description:	Ref. Part No:	Part No:	Description:
<b>Image 1:</b>			<b>Image 1:</b>		
1	4025334	COMPRESSOR ASSY. (M7)	55	1233757	LOCKING CARD SPACER (M7)
2	2274364	RUBBER VIBRATION ISOLATOR ASSY. (M7)	56	NA	CAUTION LABEL (ELECTRIC SHOCK) (M7)
3	2119809	COMPRESSOR MOUNTING BOLT (M7)	57	4010465	BOTTOM FRAME (M7)
4	4010410	WASHER (NUT WITH WASHER) (M7)	58	2493970	FRONT PLATE (2) (M7)
5	2493918	COMPRESSOR SOUNDPROOF (M7)	59	2493987	SIDE PLATE (RIGHT) (M7)
6	4024830	SOUND ABSORBING MATERIAL (M7)	60	2493994	FRONT PLATE (1) (M7)
7	076850J	SET BOLT/ COMPRESSOR (M7)	61	2425814	PARTITION PLATE ASSY. (M7)
8	040139J	RUBBER BUSH/ LEAD WIRE (M7)	62	2425852	FAN MOTOR STAND ASSY. (M7)
9	2425597	TERMINAL COVER (M7)	63	2494005	SIDE COVER (M7)
10	4022879	HEAT EXCHANGER ASSY. (M7)	64	2425845	REAR COVER (M7)
11	2425737	ACCUMULATOR ASSY. (M7)	65	092045J	HANDLE (M7)
12	NA	SUCTION PIPE (2) (M7)	66	4020038	COVER (M7)
13	NA	REFRIGERANT PIPE ASSY. (M7)	67	4009049	ANCHOR PLATE (M7)
14	NA	GAS STOP VALVE ASSY. (M7)	68	2494012	TOP PLATE (M7)
15	4022880	STOP VALVE (M7)	69	157132J	THERMISTOR FIXING PLATE (M7)
16	4022182	PRESSURE SENSOR (M7)	70	4008212	MOUNTING PLATE (M7)
17	1721122	FUSIBLE PLUG (M7)	71	042396J	FITTING SPRING/ THERMISTOR (M7)
18	NA	LIQUID PIPE ASSY. (M7)	72	2031411	FEELER BULB CLAMP (M7)
19	2494649	LIQUID STOP VALVE ASSY. (M7)	73	2120405	HEX TAPPING SCREW (3) (M7)
20	2433132	PIPING FIXTURE (M7)	74	2548909	BRAND NAME LABEL (M7)
21	2494656	STOP VALVE MOUNTING PLATE (M7)	75	2534034	LABEL (M7)
22	2494098	WIRING PROTECTION BUSH (M7)	76	4023075	CAUTION LABEL (ROTATING) (M7)
23	162753J	SCREW/ C TIGHT CUP (M7)	77	1905191	HEX HEAD TAPPING (M7)
24	NA	DISCHARGE PIPE ASSY. (M7)	78	049594J	HEX HEAD TAPPING SCREW (M7)
25	2534448	HIGH PRESSURE SWITCH (M7)	79	131453J	TRUSS HEAD TAPPING SCREW (M7)
26	4017917	SOUNDPROOF PUTTY ASSY. (M7)	80	4016867	HEX BOLT (M7)
27	1864005	FAN BLADE (M7)	81	2545851	FILTER DRIER (M7)
28	847003J	LOCK NUT/ FAN (M7)	82	2494067	GREASE ASSY. (M7)
29	2425744	SUCTION GRILLE ASSY. (M7)	83	NA	PATCH PLATE ASSY. (M7)
30	2545655	DISCHARGE GRILLE ASSY. (M7)	84	2223506	ELECTRIC INSULATION (M7)
31	2546825	EL. COMPO. MOUNTING PLATE (M7)	<b>Expanded Model Nomenclature</b> <div style="border: 1px solid black; padding: 5px;"> M1 - ASXS6S1810AA  M2 - ASXS6S2410AA  M3 - ASXS6S3010AA  M4 - ASXS6S3610AA  M5 - ASXS6S4210AA  M6 - ASXS6S4810AA  M7 - ASXS6S6010AA </div>		
32	2425751	TERMINAL BLOCK (M7)			
33	2425768	WIRE HARNESS ASSY. (FOR COMMUNICATION) (M7)			
34	2534582	INSULATION SHEET (M7)			
35	2425775	THERMISTOR (AIR) (M7)			
36	2425782	THERMISTOR ASSY. (M7)			
37	2425799	THERMISTOR (SUCTION) (M7)			
38	2493949	WIRE HARNESS ASSY. (POWER) (M7)			
39	2546827	PRINTED CIRCUIT BOARD ASSY. (M7)			
40	2545654	WIRE HARNESS ASSY. (COMP.) (M7)			
41	119839J	TAPPING SCREW (M7)			
42	071124J	CUP WASHER (M7)			
43	2494687	RIVET (M7)			
44	2493963	WIRE HARNESS ASSY. (PCB-OL CONNECTION) (M7)			
45	5009491	FERRITE CORE (M7)			
46	113783J	TAPPING SCREW (M7)			
47	352004	WIRE CLIP (M7)			
48	827920J	TAPPING SCREW (M7)			
49	099951J	EDGE SADDLE (M7)			
50	094708J	EDGE SADDLE (M7)			
51	2534508	WIRE HARNESS ASSY. (HPS) (M7)			
52	2433017	RETAINER ASSY. (M7)			
53	2428527	RADIATION SHEET (M7)			
54	4022882	DC FAN MOTOR (M7)			