

ASXS60 Side Discharge Split System Condenser Unit

ASXS601810AA
ASXS602410AA
ASXS603010AA
ASXS603610AA



Amana® is a registered trademark of Maytag Corporation or its related companies and is used under license. All rights reserved.

This manual is to be used by qualified technicians only.

© 2022 Goodman Company, L.P. ♦ 19001 Kermier Rd. ♦ Waller, TX 77484

Important Information

Index

Functional Parts List	3
Illustration and Parts	4 - 9

Views shown are for parts illustrations only, not servicing procedures.

Text Codes:

AR - As Required

NA - Not Available

NS - Not Shown

00000000 - See Note

QTY - Quantity Example (QTY 3) (If Quantity not shown, Quantity = 1)

M - Model Example (M1) (If M Code not shown, then part is used on all Models)

Expanded Model Nomenclature:

Example
M1 - Model#1
M2 - Model#2
M3 - Model#3

Goodman Company, L.P. is not responsible for personal injury or property damage resulting from improper service. Review all service information before beginning repairs.

Warranty service must be performed by an authorized technician, using authorized factory parts. If service is required after the warranty expires, Goodman Company, L.P. also recommends contacting an authorized technician and using authorized factory parts.

Goodman Company, L.P. reserves the right to discontinue, or change at any time, specifications or designs without notice or without incurring obligations.

For assistance within the U.S.A. contact:

Homeowner Support
Goodman Company, L.P.
19001 Kermier Road
Waller, Texas 77484
877-254-4729-Telephone
713-863-2382-Facsimile

For assistance outside the U.S.A. contact:

International Division
Goodman Company, L.P.
19001 Kermier Road
Waller, Texas 77484
713-861-2500-Telephone
713-863-2382-Facsimile

Functional Parts

Part

No: Description:

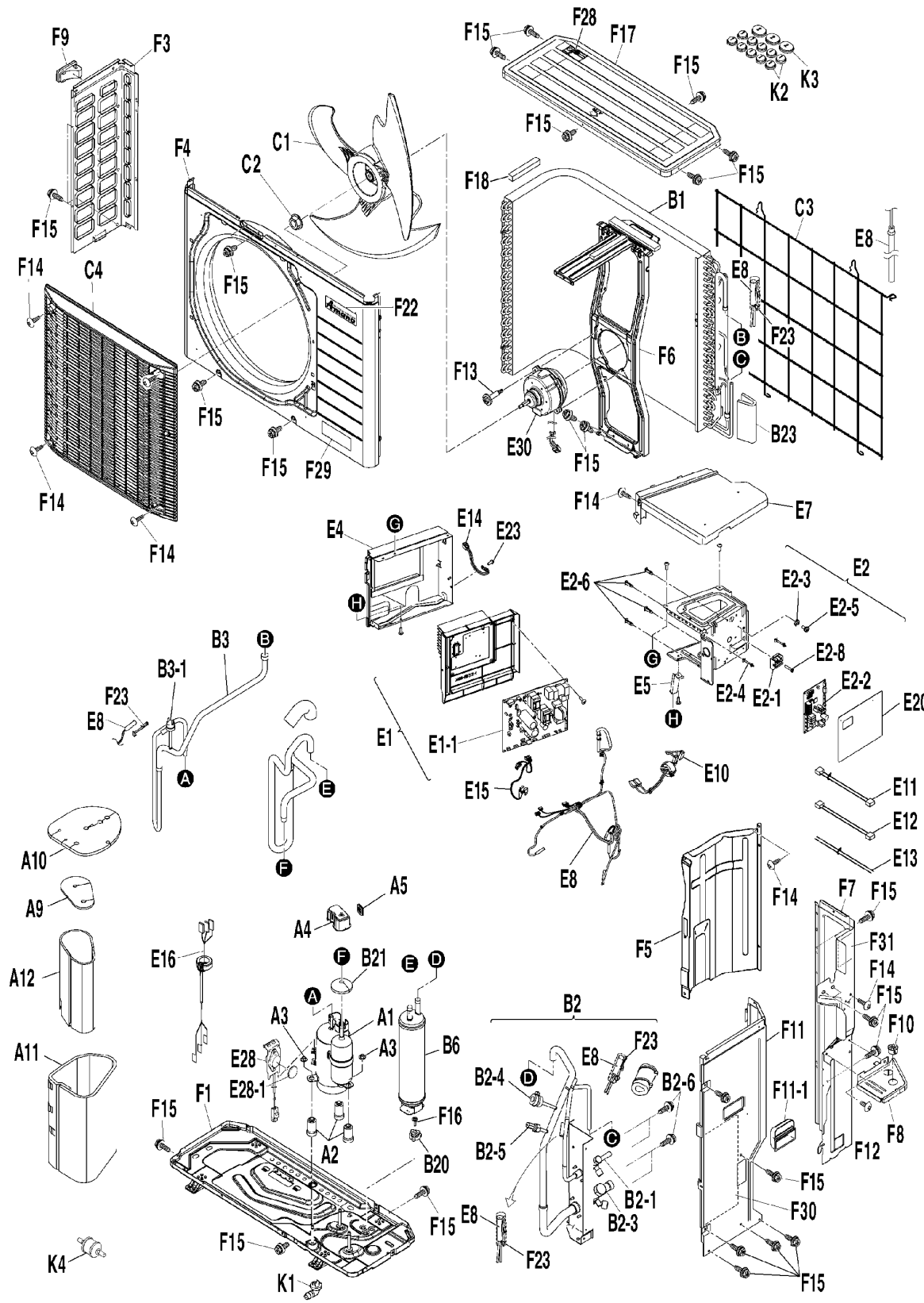
2545131	COMPRESSOR ASSY. (M3, M4)
2545130	COMPRESSOR ASSY. (M1, M2)
2545649	DC FAN MOTOR (M3, M4)
2545639	DC FAN MOTOR (M1, M2)
1721122	FUSIBLE PLUG
2534448	HIGH PRESSURE SWITCH
2545134	PRESSURE SENSOR
2545138	PRINTED CIRCUIT BOARD ASSY. (M3, M4)
2545136	PRINTED CIRCUIT BOARD ASSY. (M3, M4)
2545135	PRINTED CIRCUIT BOARD ASSY. (M1, M2)
2545137	PRINTED CIRCUIT BOARD ASSY. (CT) (M1, M2)

Expanded Model Nomenclature

M1 - ASXS601810AA
M2 - ASXS602410AA
M3 - ASXS603010AA
M4 - ASXS603610AA

ASXS60[18-24]10

ASXS601810AA / ASXS602410AA



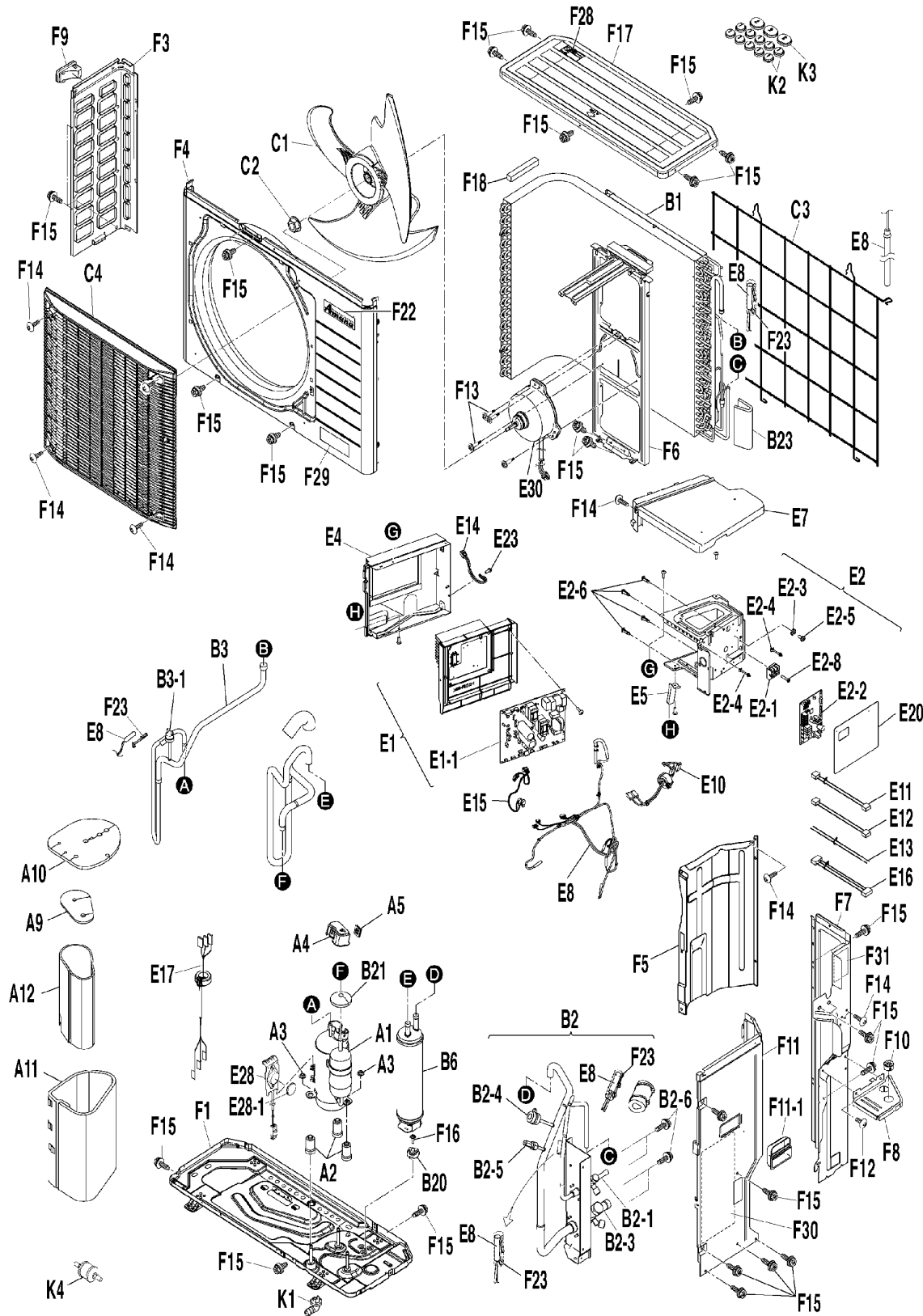
Ref No	Drawing No.
1	A1
2	A2
3	A3
4	A4
5	A5
6	A9
7	A10
8	A11
9	A12
10	B1
11	B2
12	B2-1
13	B2-3
14	B2-4
15	B2-5
16	B2-6
17	B3
18	B3-1
19	B6
20	B20
21	B21
22	B23
23	C1
24	C2
25	C3
26	C4
27	E1
28	E1-1
29	E2
30	E2-1
31	E2-2
32	E2-3
33	E2-4
34	E2-5
35	E2-6
36	E2-8
37	E4
38	E5
39	E7
40	E8
41	E10
42	E11
43	E12
44	E13
45	E14
46	E15
47	E16
48	E20
49	E23
50	E28
51	E28-1
52	E30
53	F1
54	F3
55	F4
56	F5
57	F6
58	F7
59	F8
60	F9
61	F10
62	F11
63	F11-1
64	F12
65	F13
66	F14
67	F15
68	F16
69	F17
70	F18
71	F22
72	F23
73	F28
74	F29
75	F30
76	F31
77	K1
78	K2
79	K3
80	K4

ASXS603010

Ref. Part No: No:	Description:	Ref. Part No: No:	Description:				
Image 1:		Image 1:					
1	2545131 COMPRESSOR ASSY. (M3)	56	4015620 FRONT PLATE (M3)				
2	128989J VIBRATION ABSORBER (M3)	57	4015722 PARTITION PLATE (M3)				
3	4010410 WASHER (NUT WITH WASHER) (M3)	58	2545650 FAN MOTOR STAND ASSY. (M3)				
4	2425597 TERMINAL COVER (M3)	59	2540384 REAR PLATE ASSY. (M3)				
5	040139J RUBBER BUSH/ LEAD WIRE (M3)	60	2425681 CONDUIT MOUNTING PLATE ASSY. (M3)				
6	2493893 SOUND INSULATION (INNER TOP) (M3)	61	4015625 HANDLE (LEFT) (M3)				
7	2545644 SOUND INSULATION (OUTER TOP) (M3)	62	2494098 WIRING PROTECTION BUSH (M3)				
8	2534459 SOUND INSULATION (OUTER BODY) (M3)	63	2545153 RIGHT SIDE PLATE ASSY. (M3)				
9	2493747 SOUND INSULATION (INNER BODY) (M3)	64	2548908 HANDLE ASSY. (M3)				
10	4025335 HEAT EXCHANGER ASSY. (M3)	65	030990J TRUSS TAPPING SCREW (M3)				
11	NA STOP VALVE ASSY. (GAS/LIQUID) (M3)	66	2120405 HEX TAPPING SCREW (3) (M3)				
12	2493754 LIQUID STOP VALVE ASSY. (M3)	67	008203J TRUSS HEAD TAPPING SCREW (M3)				
13	2545133 GAS STOP VALVE ASSY. (M3)	68	109224J HEX HEAD TAPPING SCREW (M3)				
14	2545134 PRESSURE SENSOR (M3)	69	1821022 TAPPING SCREW (M3)				
15	1721122 FUSIBLE PLUG (M3)	70	4015623 TOP PLATE ASSY. (M3)				
16	109224J HEX HEAD TAPPING SCREW (M3)	71	4015634 CUSHION MATERIAL (HEAT EXCHANGER) (M3)				
17	NA DISCHARGE PIPE ASSY. (M3)	72	2548909 BRAND NAME LABEL (M3)				
18	2534448 HIGH PRESSURE SWITCH (M3)	73	042396J FITTING SPRING/ THERMISTOR (M3)				
19	2548907 ACCUMULATOR ASSY. (M3)	74	2534034 LABEL (M3)				
20	380116J CUSHION RUBBER/ ACCUMULATOR (M3)	75	4023075 CAUTION LABEL (ROTATING) (M3)				
21	112853J VIBRATION ISOLATOR PUTTY (M3)	76	NA COLLECTIVE INDICATIONS LABEL (M3)				
22	1666085 SOUNDPROOF PUTTY (M3)	77	NA CAUTION LABEL (ELECTRIC SHOCK) (M3)				
23	4016827 PROPELLER FAN ASSY. (M3)	78	058956J DRAIN JOINT (M3)				
24	847003J LOCK NUT/ FAN (M3)	79	2253709 CAP 1 (DRAIN) (M3)				
25	2425643 PROTECTION NET (M3)	80	2253716 CAP 2 (DRAIN) (M3)				
26	4022196 DISCHARGE GRILLE ASSY. (M3)	81	2545851 FILTER DRIER (M3)				
27	2545645 EL. COMPO. MOUNTING PLATE ASSY. (M3)	Expanded Model Nomenclature					
28	2545136 PRINTED CIRCUIT BOARD ASSY. (M3)	<table border="1"> <tr> <td>M1 - ASXS601810AA</td> </tr> <tr> <td>M2 - ASXS602410AA</td> </tr> <tr> <td>M3 - ASXS603010AA</td> </tr> <tr> <td>M4 - ASXS603610AA</td> </tr> </table>		M1 - ASXS601810AA	M2 - ASXS602410AA	M3 - ASXS603010AA	M4 - ASXS603610AA
M1 - ASXS601810AA							
M2 - ASXS602410AA							
M3 - ASXS603010AA							
M4 - ASXS603610AA							
29	NA EL. COMPO. BOX ASSY. (M3)						
30	4022185 TERMINAL BLOCK (M3)						
31	2545138 PRINTED CIRCUIT BOARD ASSY. (M3)						
32	071124J CUP WASHER (M3)						
33	1233757 LOCKING CARD SPACER (M3)						
34	119839J TAPPING SCREW (M3)						
35	1728464 SPACER (PCB) (M3)						
36	1796234 PAN HEAD TAPPING SCREW (M3)						
37	NA EL. COMPO. BOX ASSY. (1) (M3)						
38	2545634 STAY (M3)						
39	2545643 EL. COMPO. BOX COVER ASSY. (M3)						
40	2545139 THERMISTOR ASSY. (M3)						
41	2545140 WIRE HARNESS ASSY. (POWER) (M3)						
42	2545141 WIRE HARNESS ASSY. (CT POWER) (M3)						
43	2545635 WIRE HARNESS ASSY. (ACS) (M3)						
44	2545636 WIRE HARNESS ASSY. (COMMUNICATION) (M3)						
45	2545637 EARTH WIRE (M3)						
46	2545638 WIRE HARNESS ASSY. (HPS/OL) (M3)						
47	2545648 WIRE HARNESS ASSY. (FAN MOTOR RELAY) (M3)						
48	2545142 WIRE HARNESS ASSY. (COMP.) (M3)						
49	2545657 INSULATION SHEET (M3)						
50	113783J TAPPING SCREW (M3)						
51	2428510 OVERLOAD PROTECTOR (M3)						
52	2428527 RADIATION SHEET (M3)						
53	2545649 DC FAN MOTOR (M3)						
54	2545642 BOTTOM FRAME ASSY. (M3)						
55	4015619 SIDE PLATE (LEFT) (M3)						

ASXS603610

ASXS603610AA



Ref No	Drawing No.
1	A1
2	A2
3	A3
4	A4
5	A5
6	A9
7	A10
8	A11
9	A12
10	B1
11	B2
12	B2-1
13	B2-3
14	B2-4
15	B2-5
16	B2-6
17	B3
18	B3-1
19	B6
20	B20
21	B21
22	B23
23	C1
24	C2
25	C3
26	C4
27	E1
28	E1-1
29	E2
30	E2-1
31	E2-2
32	E2-3
33	E2-4
34	E2-5
35	E2-6
36	E2-8
37	E4
38	E5
39	E7
40	E8
41	E10
42	E11
43	E12
44	E13
45	E14
46	E15
47	E16
48	E17
49	E20
50	E23
51	E28
52	E28-1
53	E30
54	F1
55	F3
56	F4
57	F5
58	F6
59	F7
60	F8
61	F9
62	F10
63	F11
64	F11-1
65	F12
66	F13
67	F14
68	F15
69	F16
70	F17
71	F18
72	F22
73	F23
74	F28
75	F29
76	F30
77	F31
78	K1
79	K2
80	K3
81	K4

ASXS603610

Ref. Part No: No:	Description:	Ref. Part No: No:	Description:				
Image 1:		Image 1:					
1	2545131 COMPRESSOR ASSY. (M4)	56	4015620 FRONT PLATE (M4)				
2	128989J VIBRATION ABSORBER (M4)	57	4015722 PARTITION PLATE (M4)				
3	4010410 WASHER (NUT WITH WASHER) (M4)	58	2545658 FAN MOTOR STAND ASSY. (M4)				
4	2425597 TERMINAL COVER (M4)	59	2540384 REAR PLATE ASSY. (M4)				
5	040139J RUBBER BUSH/ LEAD WIRE (M4)	60	2425681 CONDUIT MOUNTING PLATE ASSY. (M4)				
6	2493893 SOUND INSULATION (INNER TOP) (M4)	61	4015625 HANDLE (LEFT) (M4)				
7	2545644 SOUND INSULATION (OUTER TOP) (M4)	62	2494098 WIRING PROTECTION BUSH (M4)				
8	2534459 SOUND INSULATION (OUTER BODY) (M4)	63	2545153 RIGHT SIDE PLATE ASSY. (M4)				
9	2493747 SOUND INSULATION (INNER BODY) (M4)	64	2548908 HANDLE ASSY. (M4)				
10	2545132 HEAT EXCHANGER ASSY. (M4)	65	030990J TRUSS TAPPING SCREW (M4)				
11	NA STOP VALVE ASSY. (GAS/LIQUID) (M4)	66	2120405 HEX TAPPING SCREW (3) (M4)				
12	2493754 LIQUID STOP VALVE ASSY. (M4)	67	008203J TRUSS HEAD TAPPING SCREW (M4)				
13	2545133 GAS STOP VALVE ASSY. (M4)	68	109224J HEX HEAD TAPPING SCREW (M4)				
14	2545134 PRESSURE SENSOR (M4)	69	1821022 TAPPING SCREW (M4)				
15	1721122 FUSIBLE PLUG (M4)	70	4015623 TOP PLATE ASSY. (M4)				
16	109224J HEX HEAD TAPPING SCREW (M4)	71	4015634 CUSHION MATERIAL (HEAT EXCHANGER) (M4)				
17	NA DISCHARGE PIPE ASSY. (M4)	72	2548909 BRAND NAME LABEL (M4)				
18	2534448 HIGH PRESSURE SWITCH (M4)	73	042396J FITTING SPRING/ THERMISTOR (M4)				
19	2548907 ACCUMULATOR ASSY. (M4)	74	2534034 LABEL (M4)				
20	380116J CUSHION RUBBER/ ACCUMULATOR (M4)	75	4023075 CAUTION LABEL (ROTATING) (M4)				
21	112853J VIBRATION ISOLATOR PUTTY (M4)	76	NA COLLECTIVE INDICATIONS LABEL (M4)				
22	1666085 SOUNDPROOF PUTTY (M4)	77	NA CAUTION LABEL (ELECTRIC SHOCK) (M4)				
23	4016827 PROPELLER FAN ASSY. (M4)	78	058956J DRAIN JOINT (M4)				
24	847003J LOCK NUT/ FAN (M4)	79	2253709 CAP 1 (DRAIN) (M4)				
25	2425643 PROTECTION NET (M4)	80	2253716 CAP 2 (DRAIN) (M4)				
26	4022196 DISCHARGE GRILLE ASSY. (M4)	81	2545851 FILTER DRIER (M4)				
27	2545645 EL. COMPO. MOUNTING PLATE ASSY. (M4)	Expanded Model Nomenclature					
28	2545136 PRINTED CIRCUIT BOARD ASSY. (M4)	<table border="1"> <tr> <td>M1 - ASXS601810AA</td> </tr> <tr> <td>M2 - ASXS602410AA</td> </tr> <tr> <td>M3 - ASXS603010AA</td> </tr> <tr> <td>M4 - ASXS603610AA</td> </tr> </table>		M1 - ASXS601810AA	M2 - ASXS602410AA	M3 - ASXS603010AA	M4 - ASXS603610AA
M1 - ASXS601810AA							
M2 - ASXS602410AA							
M3 - ASXS603010AA							
M4 - ASXS603610AA							
29	NA EL. COMPO. BOX ASSY. (M4)						
30	4022185 TERMINAL BLOCK (M4)						
31	2545138 PRINTED CIRCUIT BOARD ASSY. (M4)						
32	071124J CUP WASHER (M4)						
33	1233757 LOCKING CARD SPACER (M4)						
34	119839J TAPPING SCREW (M4)						
35	1728464 SPACER (PCB) (M4)						
36	1796234 PAN HEAD TAPPING SCREW (M4)						
37	NA EL. COMPO. BOX ASSY. (1) (M4)						
38	2545634 STAY (M4)						
39	2545643 EL. COMPO. BOX COVER ASSY. (M4)						
40	2545139 THERMISTOR ASSY. (M4)						
41	2545140 WIRE HARNESS ASSY. (POWER) (M4)						
42	2545141 WIRE HARNESS ASSY. (CT POWER) (M4)						
43	2545635 WIRE HARNESS ASSY. (ACS) (M4)						
44	2545636 WIRE HARNESS ASSY. (COMMUNICATION) (M4)						
45	2545637 EARTH WIRE (M4)						
46	2545638 WIRE HARNESS ASSY. (HPS/OL) (M4)						
47	2545648 WIRE HARNESS ASSY. (FAN MOTOR RELAY) (M4)						
48	2545142 WIRE HARNESS ASSY. (COMP.) (M4)						
49	2545657 INSULATION SHEET (M4)						
50	113783J TAPPING SCREW (M4)						
51	2428510 OVERLOAD PROTECTOR (M4)						
52	2428527 RADIATION SHEET (M4)						
53	2545649 DC FAN MOTOR (M4)						
54	2545642 BOTTOM FRAME ASSY. (M4)						
55	4015619 SIDE PLATE (LEFT) (M4)						