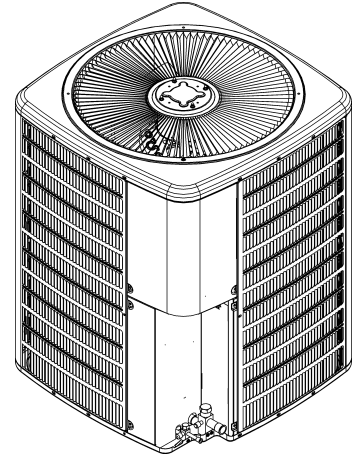


ASXN3N Remote Condensing Unit

ASXN3N1810AA
ASXN3N2410AA
ASXN3N3010AA
ASXN3N3610AA
ASXN3N4210AA
ASXN3N4810AA
ASXN3N6010AA



Amana® is a registered trademark of Maytag Corporation or its related companies and is used under license. All rights reserved.

This manual is to be used by qualified technicians only.

Important Information

Index

Functional Parts List	3
Illustration and Parts	4 - 9

Views shown are for parts illustrations only, not servicing procedures.

Text Codes:

AR - As Required

NA - Not Available

NS - Not Shown

00000000 - See Note

QTY - Quantity Example (QTY 3) (If Quantity not shown, Quantity = 1)

M - Model Example (M1) (If M Code not shown, then part is used on all Models)

Expanded Model Nomenclature:

Example
M1 - Model#1
M2 - Model#2
M3 - Model#3

Goodman Company, L.P. is not responsible for personal injury or property damage resulting from improper service. Review all service information before beginning repairs.

Warranty service must be performed by an authorized technician, using authorized factory parts. If service is required after the warranty expires, Goodman Company, L.P. also recommends contacting an authorized technician and using authorized factory parts.

Goodman Company, L.P. reserves the right to discontinue, or change at any time, specifications or designs without notice or without incurring obligations.

For assistance within the U.S.A. contact:

Homeowner Support
Goodman Company, L.P.
19001 Kermier Road
Waller, Texas 77484
877-254-4729-Telephone
713-863-2382-Facsimile

For assistance outside the U.S.A. contact:

International Division
Goodman Company, L.P.
19001 Kermier Road
Waller, Texas 77484
713-861-2500-Telephone
713-863-2382-Facsimile

Functional Parts

Part

No: Description:

0151R00185	BASE VALVE 3/4" (M1, M2, M3, M4)
0151R00187	BASE VALVE 3/8"
0151R00186	BASE VALVE 7/8" (M5, M6, M7)
0150M00012	BLADE-FAN 20" CCW (M1, M2)
CAB050350440CS	CAP, 5/35 MFD/440V RD - BPRF (M2)
CAB050400440CT	CAP, 5/40 MFD/440V RD - BPRF (M3, M4)
CAB050450440CT	CAP, 5/45 MFD/440V RD - BPRF (M5, M6)
CAB050700440CT	CAP, 5/70 MFD/440V RD - BPRF (M7)
CAP050300440CS	CAP,5/30MFD/440V/DUAL RD (M1)
0130R00116	CAPACITOR HARD START (M2, M3)
ZP40K6EPFV120	COMP, 53700, 208/230/60/1 (M6)
50N4928V-ZAKM	COMPRESSOR (M2)
50N3829V-ZAKM	COMPRESSOR (M1)
ZP34K7EPFV130	COMPRESSOR, COPELAND (M5)
ZP29K7EPFV130	COMPRESSOR, COPELAND (M4)
ZP51K7EPFV130	COMPRESSOR, COPELAND (M7)
CONT1P030024V	CONTACTOR 30 AMP, 1P, 24V
0150M00008	FAN BLADE, 22" TNT2203-25 (M3, M4, M5)
0150M00054	FAN BLADE, 26" (M6, M7)
0131M00807	MOTOR, 1/4HP,1SP,8PL,AL (M6, M7)
0131M00753	MOTOR, 1/6HP, 1SP, 8PL, AL (M3, M4, M5)
0131M00969	MOTOR, 1/8HP, 8PL, PSC (M1, M2)
5VS250FAC21	PANASONIC COMPRESSOR (M3)
0130M00851	PRE-WIRED RELAY, HARD START (M2, M3)
0130M00089	SW-CUTOUT HI PRESS (M1, M2, M3)

SPECIAL PARTS

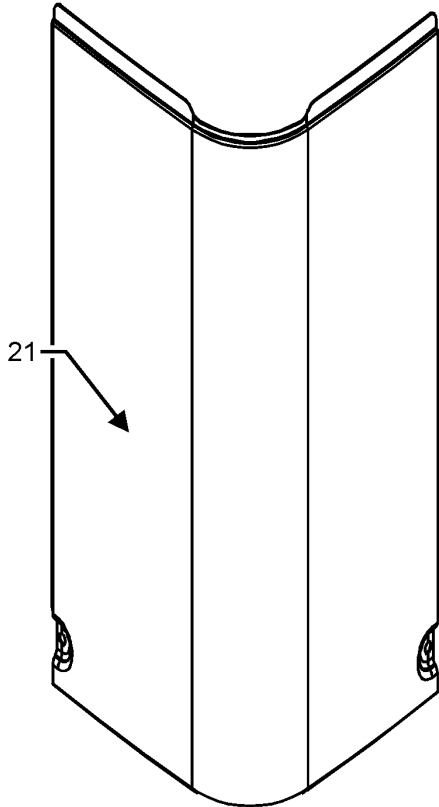
0161R00087 NAMEPLATE, AMANA LOGO

Expanded Model Nomenclature

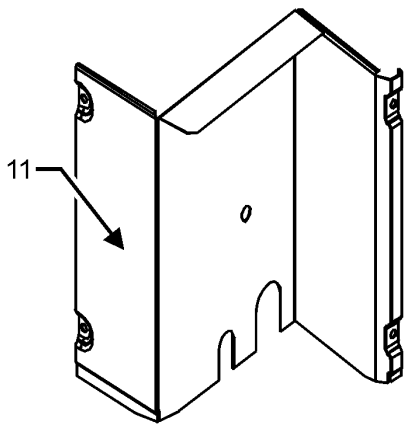
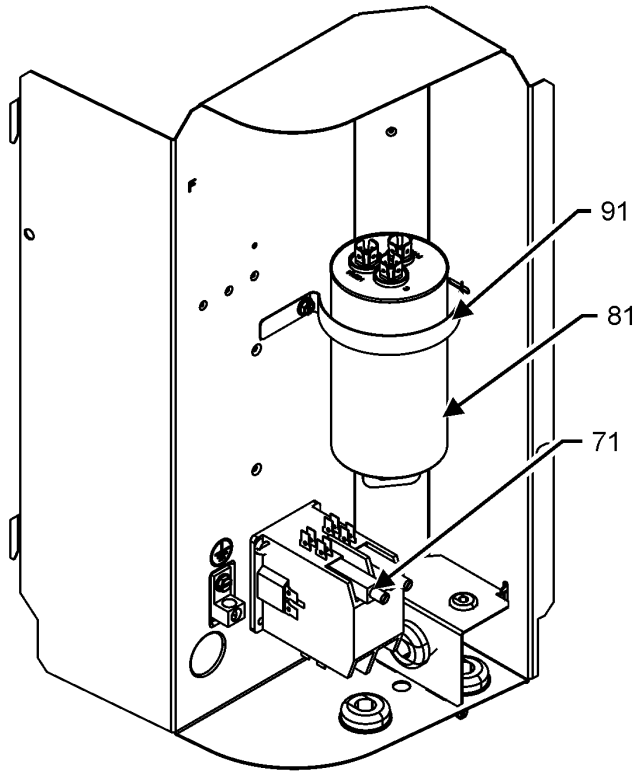
M1 - ASXN3N1810AA
M2 - ASXN3N2410AA
M3 - ASXN3N3010AA
M4 - ASXN3N3610AA
M5 - ASXN3N4210AA
M6 - ASXN3N4810AA
M7 - ASXN3N6010AA

Control Panel Assembly

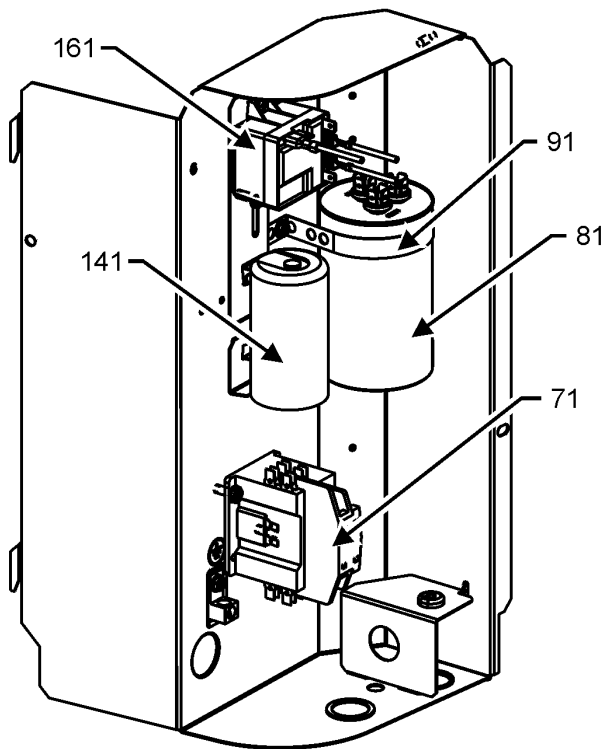
CONTROL PANEL ASSEMBLY



UPPER ACCESS COVER



LOWER ACCESS PANEL



CONTROL PANEL ASSEMBLY MAY DIFFER FROM WHAT IS SHOWN

Control Panel Assembly

Ref. Part No:	No:	Description:	Ref. Part No:	No:	Description:
---------------	-----	--------------	---------------	-----	--------------

Image 1:

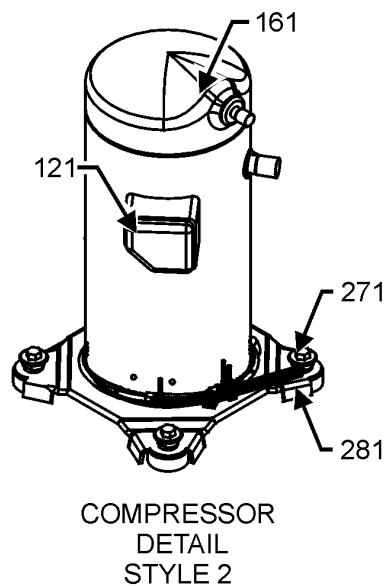
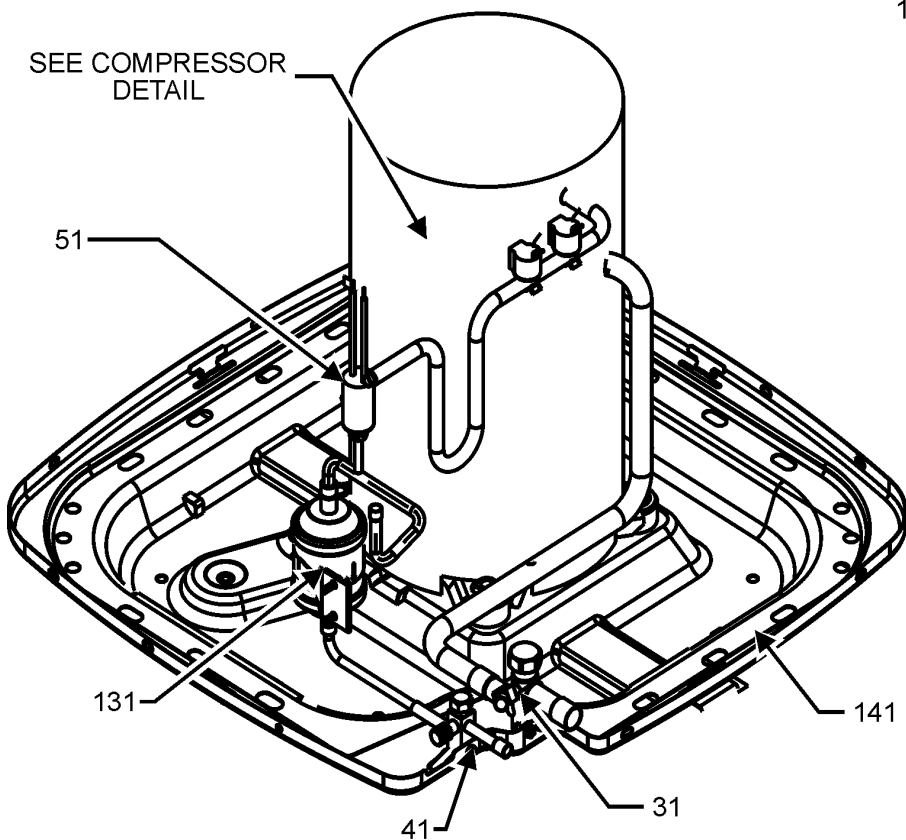
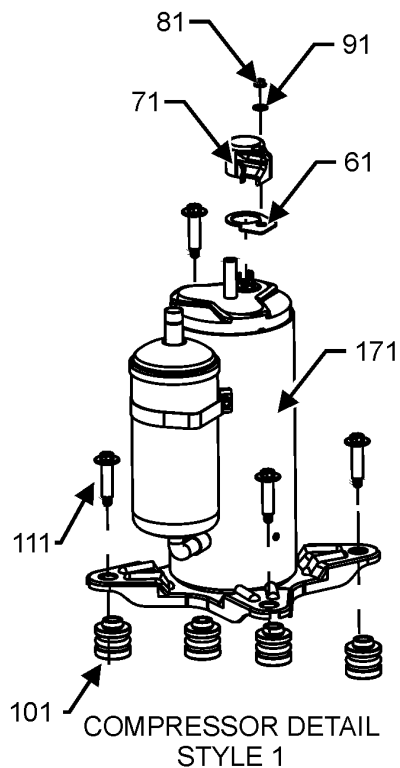
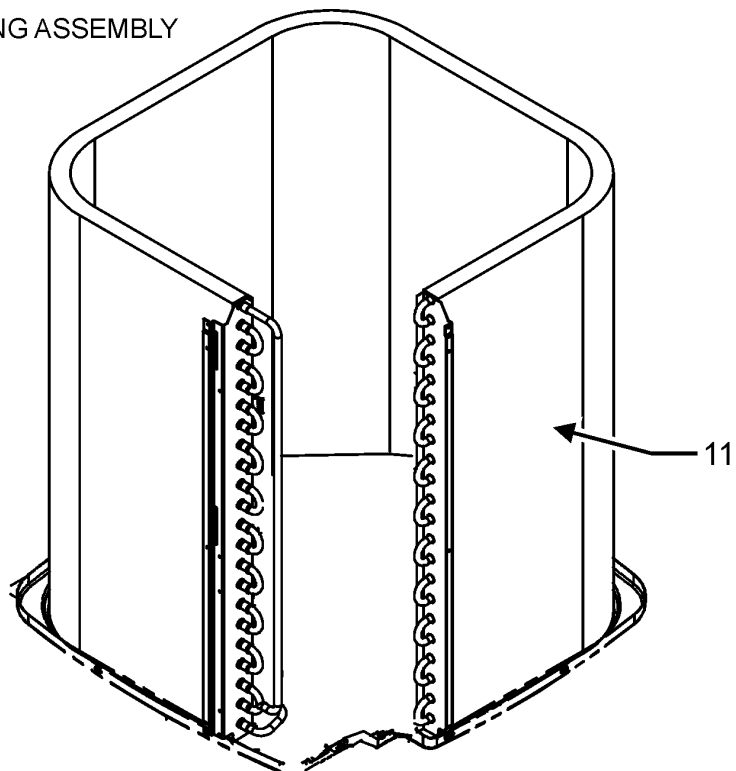
11	0121R00909PDG	PNL, LWR ACCESS (M5, M7)
11	0121R00912PDG	PNL, LWR ACCESS (M6)
11	0121R00915PDG	PNL, LWR ACCESS (M1)
11	0121R00919PDG	PNL, LWR ACCESS (M2, M3, M4)
21	0121R00937	PNL, CONTROL COVER
71	CONT1P030024V	CONTACTOR 30 AMP, 1P, 24V
81	CAB050350440CS	CAP, 5/35 MFD/440V RD - BPRF (M2)
81	CAB050400440CT	CAP, 5/40 MFD/440V RD - BPRF (M3, M4)
81	CAB050450440CT	CAP, 5/45 MFD/440V RD - BPRF (M5, M6)
81	CAB050700440CT	CAP, 5/70 MFD/440V RD - BPRF (M7)
81	CAP050300440CS	CAP, 5/30MFD/440V/DUAL RD (M1)
91	4400065	CAPACITOR STRAP
141	0130R00116	CAPACITOR HARD START (M2, M3)
161	0130M00851	PRE-WIRED RELAY, HARD START (M2, M3)
NS	0161R00087	NAMEPLATE, AMANA LOGO

Expanded Model Nomenclature

M1 - ASXN3N1810AA
M2 - ASXN3N2410AA
M3 - ASXN3N3010AA
M4 - ASXN3N3610AA
M5 - ASXN3N4210AA
M6 - ASXN3N4810AA
M7 - ASXN3N6010AA

Compressor and Tubing Assembly

TUBING ASSEMBLY



ACTUAL TUBING ASSEMBLY MAY DIFFER FROM WHAT IS SHOWN

Compressor and Tubing Assembly

Ref. Part No:	Ref. Part No:	Description:	Description:
Image 1:			
11	0201R00296	COIL TUBING ASSEMBLY (M3, M4)	
11	0201R00311	COIL TUBING ASSY (M6)	
11	0201R00666	COIL TUBING ASSY (M2)	
11	0201R00778	COIL TUBING ASSY (M1)	
11	0201R00809	COIL TUBING ASSY (M7)	
11	0201R00816	COIL TUBING ASSY (M5)	
31	0151R00185	BASE VALVE 3/4" (M1, M2, M3, M4)	
31	0151R00186	BASE VALVE 7/8" (M5, M6, M7)	
41	0151R00187	BASE VALVE 3/8"	
51	0130M00089	SW-CUTOUT HI PRESS (M1, M2, M3)	
61	0154M00003	GASKET, TERM COVER (M3)	
61	60100107	TERMINAL COVER GASKET (M1, M2)	
71	0130M00028	TERMINAL COVER (M3)	
71	60100317	TERMINAL COVER (M1, M2)	
81	0163M00468	TERMINAL COVER NUT (M3)	
81	60100401	TERMINAL NUT - RECHI COMP (M1, M2)	
91	0154M00078	TERMINAL COVER NUT GASKET (M3)	
91	60100201	WASHER - RECHI COMPRESSOR (M1, M2)	
101	60140209	GROMMET - RECHI COMPRESSOR (M1, M2)	
101	0164M00000P	GROMMET, COMP, PANASONIC (M3)	
111	0163M00186	SCREW-SHOULDER TF (M1, M2)	
111	0163M00502	SCREW-SHOULDER TF BLUE (M3)	
121	0159R00020	HARNESS, COMP SCROLL (M4, M5)	
121	0159R00002P	HARNESS, COMP SCROLL 130 46" (M6, M7)	
131	0162R00057	FILTER DRIER	
141	0121R00005PDG	BASE PAN 26" (M1, M2)	
141	0121R00006PDG	BASE PAN 29" (M3, M4, M5)	
141	0121R00007PDG	BASE PAN 35" (M6, M7)	
161	ZP40K6EPFV120	COMP, 53700, 208/230/60/1 (M6)	
161	ZP29K7EPFV130	COMPRESSOR, COPELAND (M4)	
161	ZP34K7EPFV130	COMPRESSOR, COPELAND (M5)	
161	ZP51K7EPFV130	COMPRESSOR, COPELAND (M7)	
171	50N3829V-ZAKM	COMPRESSOR (M1)	
171	50N4928V-ZAKM	COMPRESSOR (M2)	
171	5VS250FAC21	PANASONIC COMPRESSOR (M3)	
271	M0221641	TF SHOULDER SCREW (M4, M5, M6, M7)	
281	B1339533	COMPRESSOR GROMMET (M4, M5, M6, M7)	
NS	B1789851	FLOW CHECK PISTON KIT (M1)	
NS	B1789857	FLOW CHECK PISTON KIT (M2, M3)	
NS	B1789870	FLOW CHECK PISTON KIT (M4)	
NS	B1789874	FLOW CHECK PISTON KIT (M5)	
NS	B1789878	FLOW CHECK PISTON KIT (M6)	

Expanded Model Nomenclature

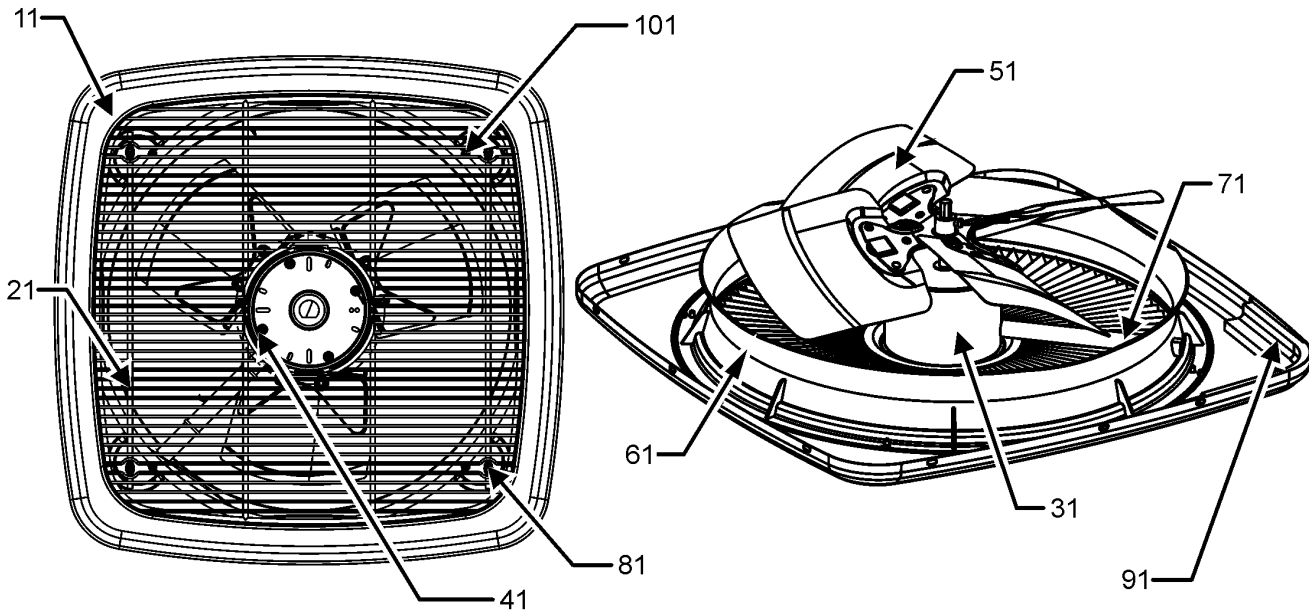
- | |
|-------------------|
| M1 - ASXN3N1810AA |
| M2 - ASXN3N2410AA |
| M3 - ASXN3N3010AA |
| M4 - ASXN3N3610AA |
| M5 - ASXN3N4210AA |
| M6 - ASXN3N4810AA |
| M7 - ASXN3N6010AA |

Top and Louver Panel Assembly

TOP PANEL AND LOUVER PANEL ASSEMBLY

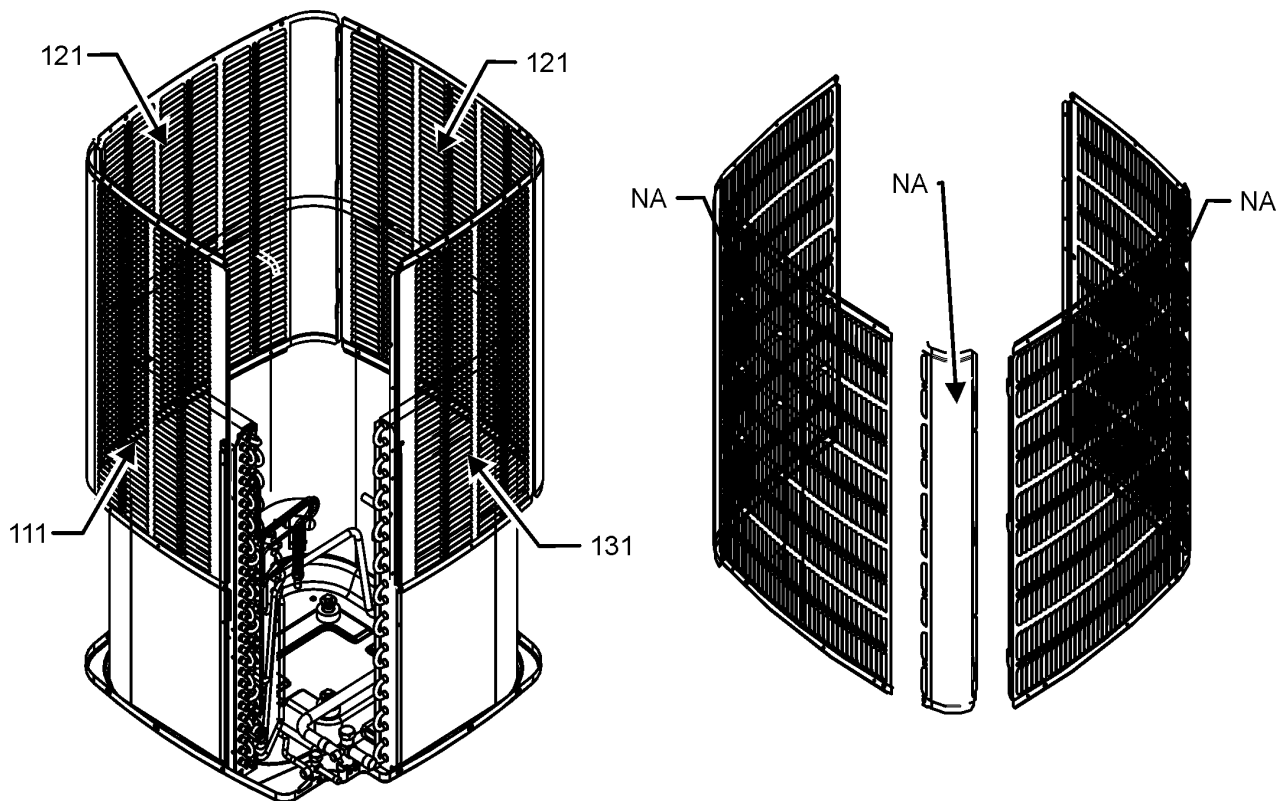
TOP VIEW

BOTTOM VIEW



LOUVER PANEL ASSEMBLY STYLE 1

LOUVER PANEL ASSEMBLY STYLE 2



TOP PANEL AND LOUVER ASSEMBLY MAY DIFFER FROM WHAT IS SHOWN

Top and Louver Panel Assembly

Ref. Part No:	Part No:	Description:	Ref. Part No:	Part No:	Description:
---------------	----------	--------------	---------------	----------	--------------

Image 1:

11	0121R00931PDG	PANEL, TOP 26. PNT (M1, M2)
11	0121R00935PDG	PANEL, TOP 29. PNT (M3, M4, M5)
11	0121R00936PDG	TOP PANEL, 35. PNT (M6, M7)
21	0152R00024	26" GRILLE CFS (M1, M2)
21	0152R00025	29" GRILLE CFS (M3, M4, M5)
21	0152R00026	GRILL, WIRE 35. TOP (M6, M7)
31	0131M00807	MOTOR, 1/4HP,1SP,8PL,AL (M6, M7)
31	0131M00753	MOTOR, 1/6HP, 1SP, 8PL, AL (M3, M4, M5)
31	0131M00969	MOTOR, 1/8HP, 8PL, PSC (M1, M2)
41	0163M00006P	ACORN NUT 5/16 HEX BLACK (QTY 4)
51	0150M00012	BLADE-FAN 20" CCW (M1, M2)
51	0150M00008	FAN BLADE, 22" TNT2203-25 (M3, M4, M5)
51	0150M00054	FAN BLADE, 26" (M6, M7)
61	0161R00103	26" VENTURI CFS (M1, M2)
61	0161R00104	29" VENTURI CFS (M3, M4, M5)
61	0161R00105	35" VENTURI CFS (M6, M7)
71	0161R00001P	CONDUIT (M1, M2)
71	0161R00002P	CONDUIT (M3, M4, M5)
71	0161R00100	CONDUIT (M6, M7)
81	0163M00003P	SCREW,#10 X 1/2,A,SLOT,SR,BLK (QTY 4)
91	0154R00045	GASKET, CONTROL PANEL
101	0163M00004	SCREW 10X3/4 BLK (QTY 4)
111	0121R00200PLG	LOUVER, SIDE PANEL (M3, M4)
111	0121R00203PLG	LOUVER, SIDE PANEL (M5)
111	0121R00207PLG	LOUVER, SIDE PANEL (M1)
111	0121R00208PLG	LOUVER, SIDE PANEL (M2)
111	0121R00240PLG	PANEL 1, LOUVER 35 (M7)
111	0121R00239PLG	PANEL 1, LOUVER 35, 5MM, PNT (M6)
121	0121R00198PLG	LOUVER, SIDE PANEL (M1)
121	0121R00199PLG	LOUVER, SIDE PANEL (M2)
121	0121R00204PLG	LOUVER, SIDE PANEL (M3, M4)
121	0121R00206PLG	LOUVER, SIDE PANEL (M5)
121	0121R00244PLG	PANEL 2, LOUVER 35 (M7)
121	0121R00243PLG	PANEL 2, LOUVER 35, 5MM, PNT (M6)
131	0121R00193PLG	LOUVER, SIDE PANEL (M3, M4)
131	0121R00195PLG	LOUVER, SIDE PANEL (M5)
131	0121R00196PLG	LOUVER, SIDE PANEL (M1)
131	0121R00197PLG	LOUVER, SIDE PANEL (M2)
131	0121R00248PLG	PANEL 3, LOUVER 35 (M7)
131	0121R00247PLG	PANEL 3, LOUVER 35, 5MM, PNT (M6)
NS	0163M00005P	WASHER, BLACK (.50 OD .218D) (QTY 4)

Expanded Model Nomenclature

- | |
|-------------------|
| M1 - ASXN3N1810AA |
| M2 - ASXN3N2410AA |
| M3 - ASXN3N3010AA |
| M4 - ASXN3N3610AA |
| M5 - ASXN3N4210AA |
| M6 - ASXN3N4810AA |
| M7 - ASXN3N6010AA |