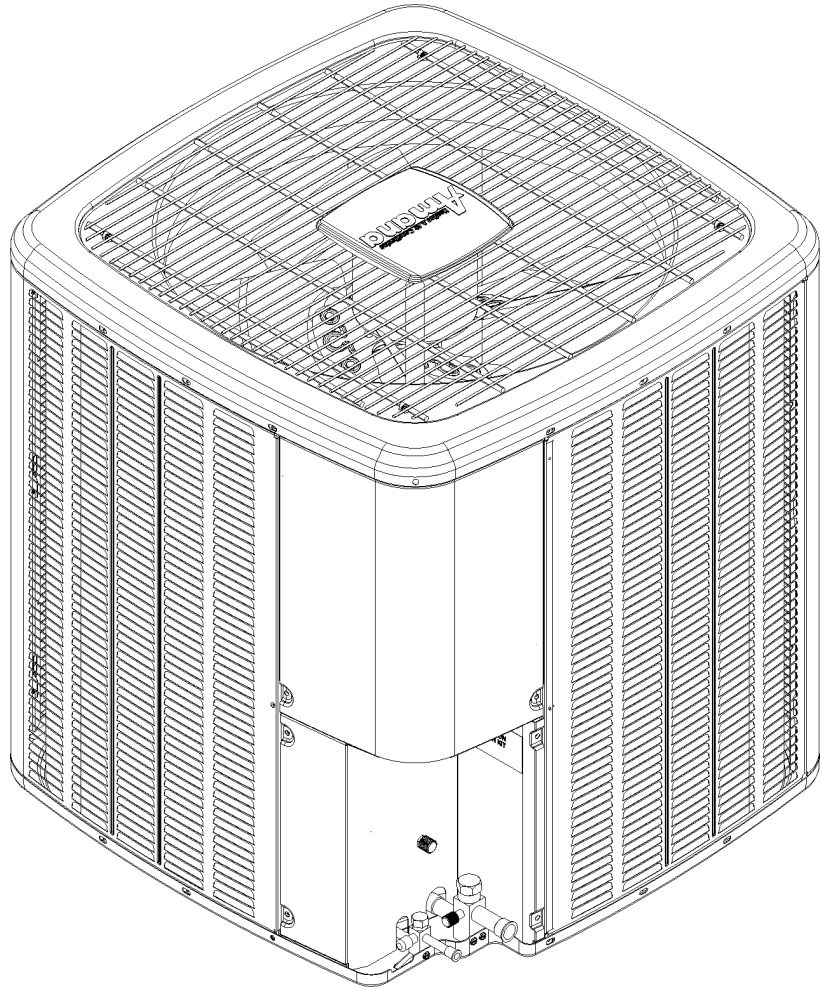


ASXC16/18 SEER 2-Stage Remote Condensing Unit

ASXC160241BD
ASXC160361BD
ASXC160481BD
ASXC160601BD
ASXC180361AD
ASXC180481AD
ASXC180601AD



Amana® is a registered trademark of Maytag Corporation or its related companies and is used under license. All rights reserved.

This manual is to be used by qualified technicians only.

© 2017 Goodman Manufacturing Company, L.P. ♦ 5151 San Felipe St, Suite 500 ♦ Houston, TX 77056

Important Information

Index

Functional Parts List	3
Illustration and Parts	4 - 9

Views shown are for parts illustrations only, not servicing procedures

Text Codes:

AR - As Required

NA - Not Available

NS - Not Shown

00000000 - See Note

QTY - Quantity Example (QTY 3) (If Quantity not shown, Quantity = 1)

M - Model Example (M1) (If M Code not shown, then part is used on all Models)

Expanded Model Nomenclature:

Example M1 - Model#1 M2 - Model#2 M3 - Model#3

Goodman Manufacturing Company, L.P. is not responsible for personal injury or property damage resulting from improper service. Review all service information before beginning repairs.

Warranty service must be performed by an authorized technician, using authorized factory parts. If service is required after the warranty expires, Goodman Manufacturing Company, L.P. also recommends contacting an authorized technician and using authorized factory parts.

Goodman Manufacturing Company, L.P. reserves the right to discontinue, or change at any time, specifications or designs without notice or without incurring obligations.

For assistance within the U.S.A. contact:
Homeowner Support
Goodman Manufacturing Company, L.P.
19001 Kermier Road
Waller, Texas 77484
877-254-4729-Telephone
713-863-2382-Facsimile

For assistance outside the U.S.A. contact:
International Division
Goodman Manufacturing Company, L.P.
19001 Kermier Road
Waller, Texas 77484
713-861-2500-Telephone
713-863-2382-Facsimile

Functional Parts

Part

No: **Description:**

0151R00079	BASE VALVE 3/4" (M1, M2)
0151R00167	BASE VALVE 3/8"
0151R00080	BASE VALVE 7/8" (M3, M4, M5, M6, M7)
CAP050300440CS	CAP,5/30MFD/440V/DUAL RD (M3, M6)
CAP050350440CS	CAPACITOR 5/35/440V (M1)
CAP050400440CT	CAPACITOR 5/40/440V/DUAL RD (M2, M4, M5, M7)
ZPS20K5EPFV130	COMP, 20000,208/230 (M1)
ZPS51K5EPFV130	COMP, 51900/208/230/60/1 (M7)
ZPS30K5EPFV130	COMP,30000,208/230 (M2, M5)
ZPS40K5EPFV130	COMPRESSOR 41100, 208/230/60/1 (M3, M6)
ZPS49K5EPFV130	COMPRESSOR 49100, 208/230/60/1 (M4)
0130R00003	CUT-OUT SWITCH, HIGH PRESSURE
0131M00761	ECM MOTOR - PROGRAMMED (IGBT) (M5, M6, M7)
0163R00007	HEATER, CRANKCASE 230V, 40W (M4, M6, M7)
0163R00006	HEATER, CRANKCASE 230V, 40W (M5)
0130M00086	LOW PRESSURE SWITCH
0131M00295	MOTOR 1/6 HP 2SP 8PL (M3, M4)
0131M00118	MOTOR, 1/6HP, 2SP, 8PL (M2)
0131M00117	MOTOR, 1/6HP, 2SP, 8PL (M1)
0130M00054	OUTDOOR AIR TEMP SENSOR
PCBGR103	PCB, CONTROL, 2 STG, AC
0130R00038	SHARED DATA (M1)
0130R00039	SHARED DATA (M2)
0130R00040	SHARED DATA (M3)
0130R00019	SHARED DATA (M5)
0130R00017	SHARED DATA (M7)
0130R00013	SHARED DATA (M6)
0130R00044	SHARED DATA (M4)

SPECIAL PARTS

0161R00008P	AMANA LOGO CAP
0161R00010P	AMANA NAMEPLATE

Expanded Model Nomenclature

M1 - ASXC160241BD
M2 - ASXC160361BD
M3 - ASXC160481BD
M4 - ASXC160601BD
M5 - ASXC180361AD
M6 - ASXC180481AD
M7 - ASXC180601AD

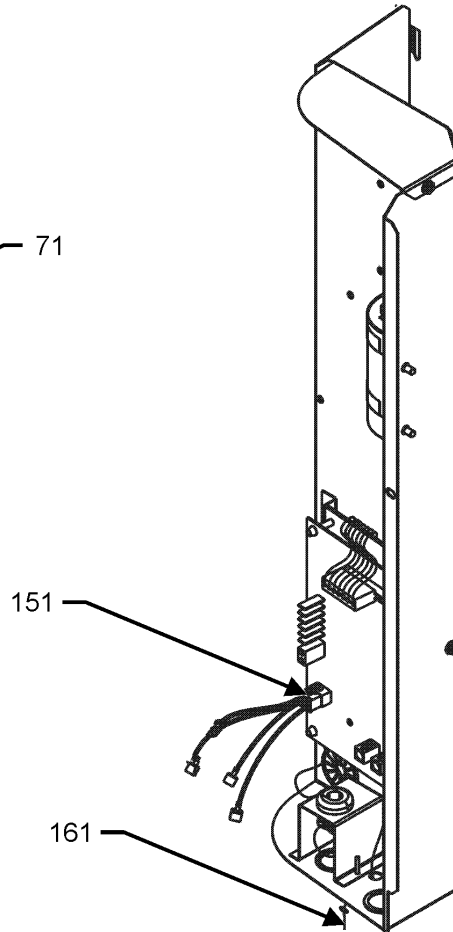
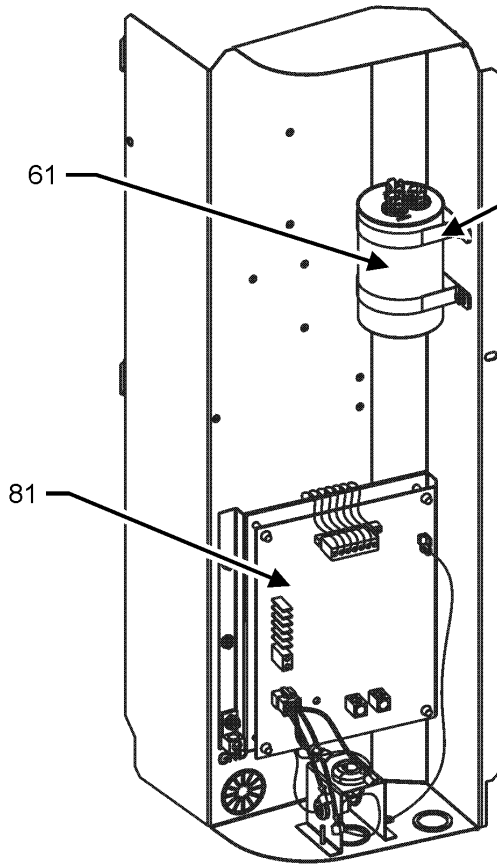
Control Box Assembly

*If end bells are needed please order the following:

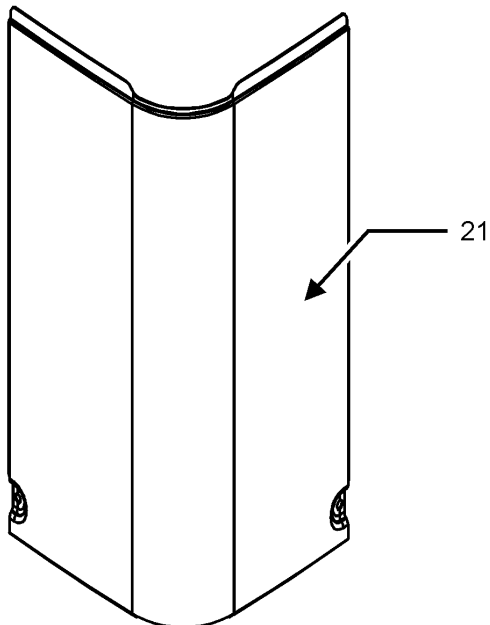
0131M00182 - 1/2 HP

0131M00183 - 3/4 HP

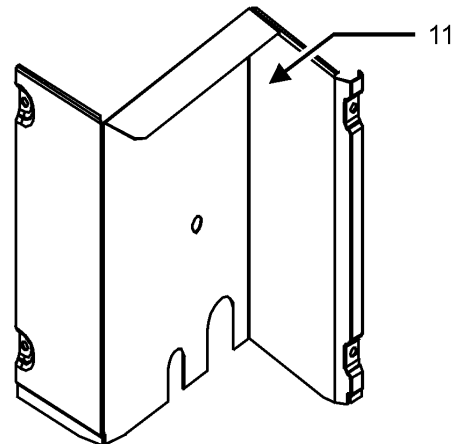
0131M00184 - 1 HP



CONTROL PANEL
SIDE VIEW



UPPER ACCESS PANEL



LOWER ACCESS PANEL

Control Box Assembly

Ref. Part No: No:	Description:	Ref. Part No: No:	Description:
-------------------	--------------	-------------------	--------------

Image 1:

11	0121R00663PDG	LOWER ACCESS PANEL (M1, M2)
11	0121R00315PDG	PANEL, LOWER ACCESS PNT (M3)
11	0121R00317PDG	PANEL, LOWER ACCESS PNT (M4, M5, M6, M7)
21	0121R00053PDG	CONTROL COVER (M1, M2)
21	0121R00054PDG	CONTROL COVER (M3, M4, M5, M6, M7)
61	CAP050300440CS	CAP,5/30MFD/440V/DUAL RD (M3, M6)
61	CAP050350440CS	CAPACITOR 5/35/440V (M1)
61	CAP050400440CT	CAPACITOR 5/40/440V/DUAL RD (M2, M4, M5, M7)
71	0121R00213	CAPACITOR STRAP (QTY 2)
81	PCBGR103	PCB, CONTROL, 2 STG, AC
151	0159R00011	WIRE ASSEMBLY, ECM MOTOR (M5, M6, M7)
151	0159R00010	WIRE ASSEMBLY, PSC MOTOR (M1, M2, M3, M4)
161	0130M00054	OUTDOOR AIR TEMP SENSOR
NS	0161R00010P	AMANA NAMEPLATE
NS	0130R00013	SHARED DATA (M6)
NS	0130R00017	SHARED DATA (M7)
NS	0130R00019	SHARED DATA (M5)
NS	0130R00038	SHARED DATA (M1)
NS	0130R00039	SHARED DATA (M2)
NS	0130R00040	SHARED DATA (M3)
NS	0130R00044	SHARED DATA (M4)

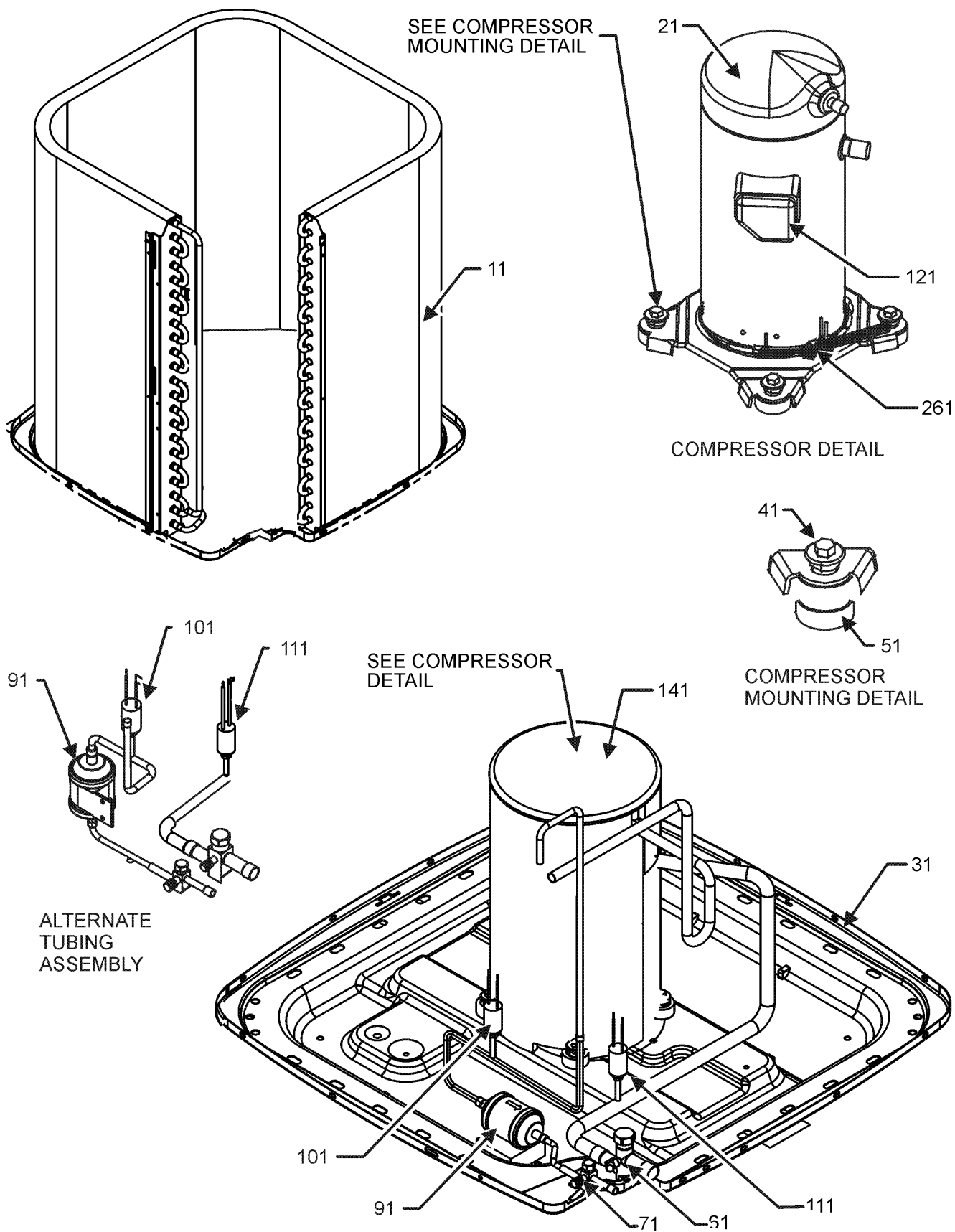
Expanded Model Nomenclature

M1 - ASXC160241BD
M2 - ASXC160361BD
M3 - ASXC160481BD
M4 - ASXC160601BD
M5 - ASXC180361AD
M6 - ASXC180481AD
M7 - ASXC180601AD

*If end bells are needed please order the following:

- 0131M00182 - 1/2 HP
- 0131M00183 - 3/4 HP
- 0131M00184 - 1 HP

Compressor and Tubing Assembly



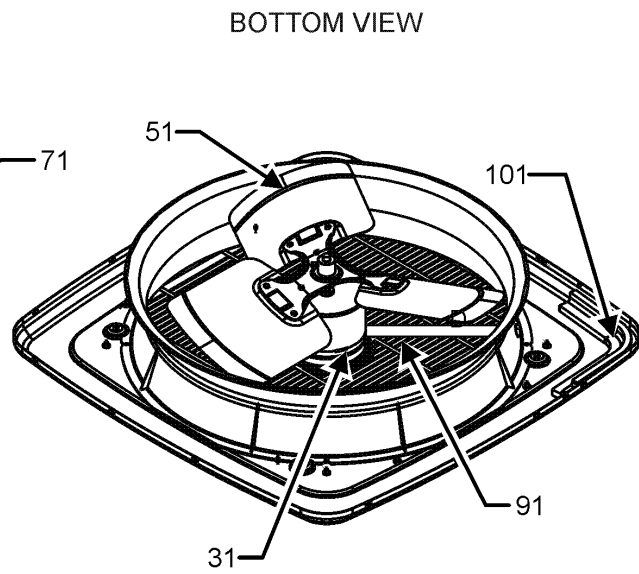
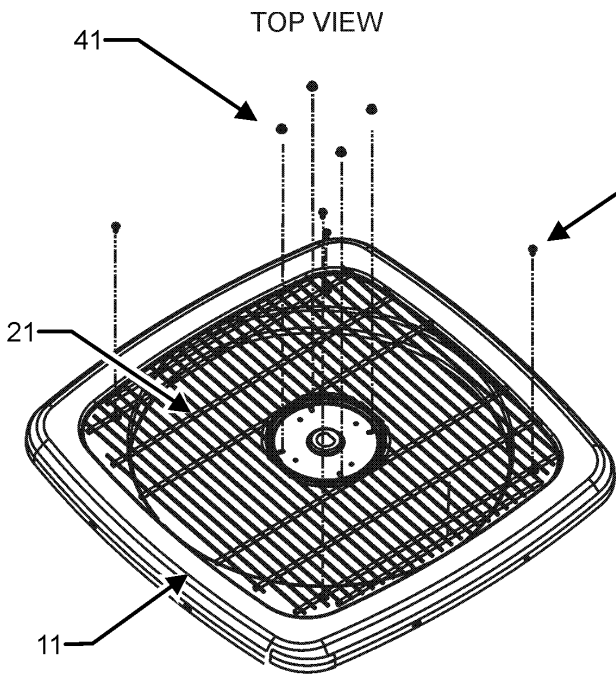
Compressor and Tubing Assembly

Ref. Part No: No:	Description:	Ref. Part No: No:	Description:
Image 1:			
11	0201R00296		COIL TUBING ASSEMBLY (M1, M2)
11	0201R00311		COIL TUBING ASSY (M3)
11	0201R00046		TUBING ASSY, COND COIL (M4, M5)
11	0201R00137		TUBING ASSY, COND COIL (M6, M7)
21	ZPS20K5EPFV130		COMP, 20000,208/230 (M1)
21	ZPS51K5EPFV130		COMP, 51900/208/230/60/1 (M7)
21	ZPS30K5EPFV130		COMP,30000,208/230 (M2, M5)
21	ZPS40K5EPFV130		COMPRESSOR 41100, 208/230/60/1 (M3, M6)
21	ZPS49K5EPFV130		COMPRESSOR 49100, 208/230/60/1 (M4)
31	0121R00006PDG		BASE PAN 29" (M1, M2)
31	0121R00007PDG		BASE PAN 35" (M3, M4, M5, M6, M7)
41	M0221641		TF SHOULDER SCREW (QTY 4)
51	0164M00018		COMPRESSOR GROMMET (M5, M6, M7)
51	B1339533		COMPRESSOR GROMMET (M1, M2, M3, M4)
61	0151R00079		BASE VALVE 3/4" (M1, M2)
61	0151R00080		BASE VALVE 7/8" (M3, M4, M5, M6, M7)
71	0151R00167		BASE VALVE 3/8"
91	0162R00009		FILTER DRIER
101	0130R00003		CUT-OUT SWITCH, HIGH PRESSURE
111	0130M00086		LOW PRESSURE SWITCH
121	0159R00001P		COMPRESSOR SCROLL HARNESS (M1, M2)
121	0159R00009		COMPRESSOR SCROLL HARNESS (M3, M4, M5, M6, M7)
141	B1488806		COMPRESSOR SOUND BLANKET (M3, M4, M6, M7)
141	B1488810		COMPRESSOR SOUND BLANKET (M1, M2, M5)
261	0163R00006		HEATER, CRANKCASE 230V, 40W (M5)
261	0163R00007		HEATER, CRANKCASE 230V, 40W (M4, M6, M7)
NS	0130M00005P		WIRE HARNESS, COMPRESSOR SOLENOID

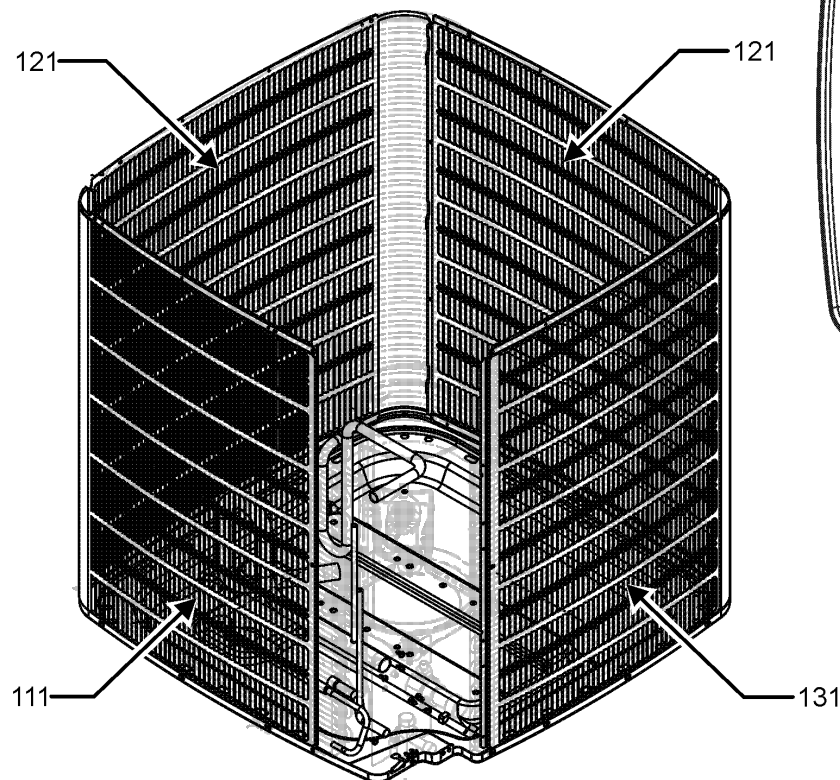
Expanded Model Nomenclature

M1 - ASXC160241BD
M2 - ASXC160361BD
M3 - ASXC160481BD
M4 - ASXC160601BD
M5 - ASXC180361AD
M6 - ASXC180481AD
M7 - ASXC180601AD

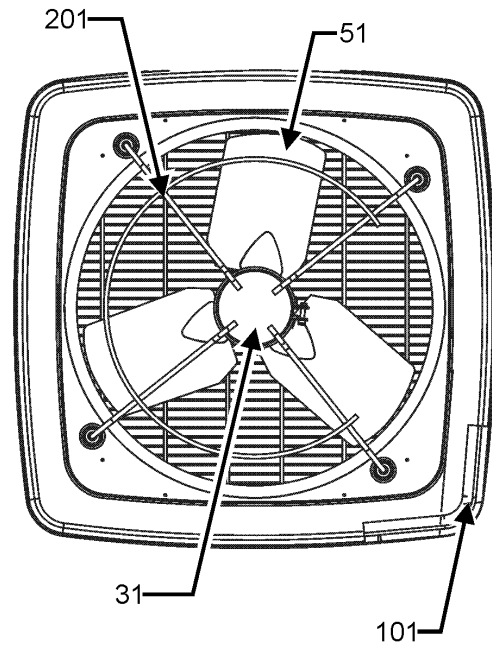
Top and Louver Side Panel Assembly



TOP PANEL ASSEMBLY
STYLE 1



LOUVER PANEL ASSEMBLY



TOP PANEL ASSEMBLY
STYLE 2

Top and Louver Side Panel Assembly

Ref. Part No: No:	Description:	Ref. Part No: No:	Description:
Image 1:			
11	0121R00011PDG		VENTURI TOP PANEL 29" (M1, M2)
11	0121R00013PDG		VENTURI TOP PANEL 35" (M3, M4, M5, M6, M7)
21	0152R00015		GRILLE, WIRE 29" TOP (M1, M2)
21	0152R00016		GRILLE, WIRE 35" TOP (M3, M4, M5, M6, M7)
31	0131M00761		ECM MOTOR - PROGRAMMED (IGBT) (M5, M6, M7)
31	0131M00295		MOTOR 1/6 HP 2SP 8PL (M3, M4)
31	0131M00117		MOTOR, 1/6HP, 2SP, 8PL (M1)
31	0131M00118		MOTOR, 1/6HP, 2SP, 8PL (M2)
41	M0280801		HEX NUT (M1, M2, M3, M4)
51	0150M00008		FAN BLADE 22" TNT2203-25 (M1)
51	0150M00010		FAN BLADE 26" ALUM CCW (M5, M6, M7)
51	10625738		FAN BLADE 26" ALUM CCW (M3, M4)
51	B1086764		FAN BLADE TYPE 2 (M2)
71	0163M00003P		SCREW #10 X 1/2, A, SLOT, SR, BLACK (QTY 6)
91	0161R00069		CONDUIT (M1, M2)
91	0161R00070		CONDUIT (M3, M4)
101	0154R00006		GASKET, CONTROL PANEL
111	4400464PLGB		LOUVERED SIDE PANEL [LT OF CNTL PNL] (M4, M5, M6, M7)
111	0121R00200PLGB		LOUVERED SIDE PANEL [LT OF CNTL PNL] (M1, M2)
111	0121R00239PLGB		LOUVERED SIDE PANEL [LT OF CNTL PNL] (M3)
121	0121R00204PLGB		LOUVERED SIDE PANEL (M1, M2)
121	0121R00243PLGB		LOUVERED SIDE PANEL (M3)
121	4400466PLGB		PANEL 2, BENT LOUVER (M4, M5, M6, M7)
131	0121R00193PLG		LOUVERED SIDE PANEL [RT OF CNTL PNL] (M1, M2)
131	0121R00247PLG		LOUVERED SIDE PANEL [RT OF CNTL PNL] (M3)
131	4400468PLG		LOUVERED SIDE PANEL [RT OF CNTL PNL] (M4, M5, M6, M7)
201	0121R00003		MOTOR MOUNT BRACKET (M5, M6, M7)
NS	0161R00008P		AMANA LOGO CAP
NS	B1393024		LOCK NUT (M5, M6, M7)
NS	B1393804		NYLON LOCKNUT, .31-18 (M5, M6, M7)

Expanded Model Nomenclature

M1 - ASXC160241BD
M2 - ASXC160361BD
M3 - ASXC160481BD
M4 - ASXC160601BD
M5 - ASXC180361AD
M6 - ASXC180481AD
M7 - ASXC180601AD