

## ASXC18 SEER 2-Stage Remote Condensing Unit

ASXC180241BA  
ASXC180241BB  
ASXC180361BA  
ASXC180361BB  
ASXC180481BA  
ASXC180481BB  
ASXC180481BC  
ASXC180601BA  
ASXC180601BB



Amana® is a registered trademark of Maytag Corporation or its related companies and is used under license. All rights reserved.

This manual is to be used by qualified technicians only.

This manual replaces RP-A4318B.

© 2017 - 2018 Goodman Manufacturing Company, L.P. ♦ 5151 San Felipe St, Suite 500 ♦ Houston, TX 77056

# Important Information

---

## Index

Functional Parts List .....	3
Illustration and Parts .....	4 - 9

*Views shown are for parts illustrations only, not servicing procedures.*

### Text Codes:

AR - As Required

NA - Not Available

NS - Not Shown

00000000 - See Note

QTY - Quantity Example (QTY 3) (If Quantity not shown, Quantity = 1)

M - Model Example (M1) (If M Code not shown, then part is used on all Models)

### Expanded Model Nomenclature:

Example M1 - Model#1 M2 - Model#2 M3 - Model#3
---

Goodman Manufacturing Company, L.P. is not responsible for personal injury or property damage resulting from improper service. Review all service information before beginning repairs.

Warranty service must be performed by an authorized technician, using authorized factory parts. If service is required after the warranty expires, Goodman Manufacturing Company, L.P. also recommends contacting an authorized technician and using authorized factory parts.

Goodman Manufacturing Company, L.P. reserves the right to discontinue, or change at any time, specifications or designs without notice or without incurring obligations.

For assistance within the U.S.A. contact:  
Homeowner Support  
Goodman Manufacturing Company, L.P.  
19001 Kermier Road  
Waller, Texas 77484  
877-254-4729-Telephone  
713-863-2382-Facsimile

For assistance outside the U.S.A. contact:  
International Division  
Goodman Manufacturing Company, L.P.  
19001 Kermier Road  
Waller, Texas 77484  
713-861-2500-Telephone  
713-863-2382-Facsimile

# Functional Parts

## Part

## No: Description:

---

0151R00079	BASE VALVE 3/4" (M1, M2, M3, M4)
0151R00167	BASE VALVE 3/8"
0151R00080	BASE VALVE 7/8" (M5, M6, M7, M8, M9)
CAP050350440CS	CAP, 5/35 MFD/440V/DUAL RD (M1, M2, M5, M6, M7)
CAP050400440CT	CAP, 5/40 MFD/440V/DUAL RD (M3, M4)
CAP050450440CT	CAP, 5/45 MFD/440V/DUAL RD (M8, M9)
ZPS49K6EPFV130	COMP 49000,208/230/60/1 (M8, M9)
ZPS19K6EPFV130	COMP, 19000,208/230/60/1 (M1, M2)
ZPS29K6EPFV130	COMP, 29000,208/230/60/1 (M3, M4)
ZPS40K6EPFV130	COMP, 40000,208/230/60/1 (M5, M6, M7)
0130R00003	CUT-OUT SWITCH, HIGH PRESSURE
0163R00006	HEATER, CRANKCASE 230V, 40W (M1, M2, M3, M4)
0163R00007	HEATER, CRANKCASE 230V, 40W (M5, M6, M7, M8, M9)
0130M00086	LOW PRESSURE SWITCH
0131M00804	MOTOR, ECM (M5, M6, M7, M8, M9)
0131M00827	MOTOR, ECM (M1, M2, M3, M4)
0130M00054	OUTDOOR AIR TEMP SENSOR
PCBGR104	PCB, CONTROL (M2, M4, M7, M9)
PCBGR103	PCB, CONTROL, 2 STG, AC (M1, M3, M5, M6, M8)
0130R00133	SHARED DATA (M2)
0130R00068	SHARED DATA (M1)
0130R00071	SHARED DATA (M3)
0130R00074	SHARED DATA (M5, M6)
0130R00077	SHARED DATA (M8)
0130R00136	SHARED DATA (M9)
0130R00135	SHARED DATA (M7)
0130R00134	SHARED DATA (M4)
0130M00138	TRANSFORMER (M2, M4, M7, M9)

### SPECIAL PARTS

0161R00086	CAP, AMANA LOGO
0161R00087	NAMEPLATE, AMANA LOGO

### Expanded Model Nomenclature

M1 - ASXC180241BA
M2 - ASXC180241BB
M3 - ASXC180361BA
M4 - ASXC180361BB
M5 - ASXC180481BA
M6 - ASXC180481BB
M7 - ASXC180481BC
M8 - ASXC180601BA
M9 - ASXC180601BB

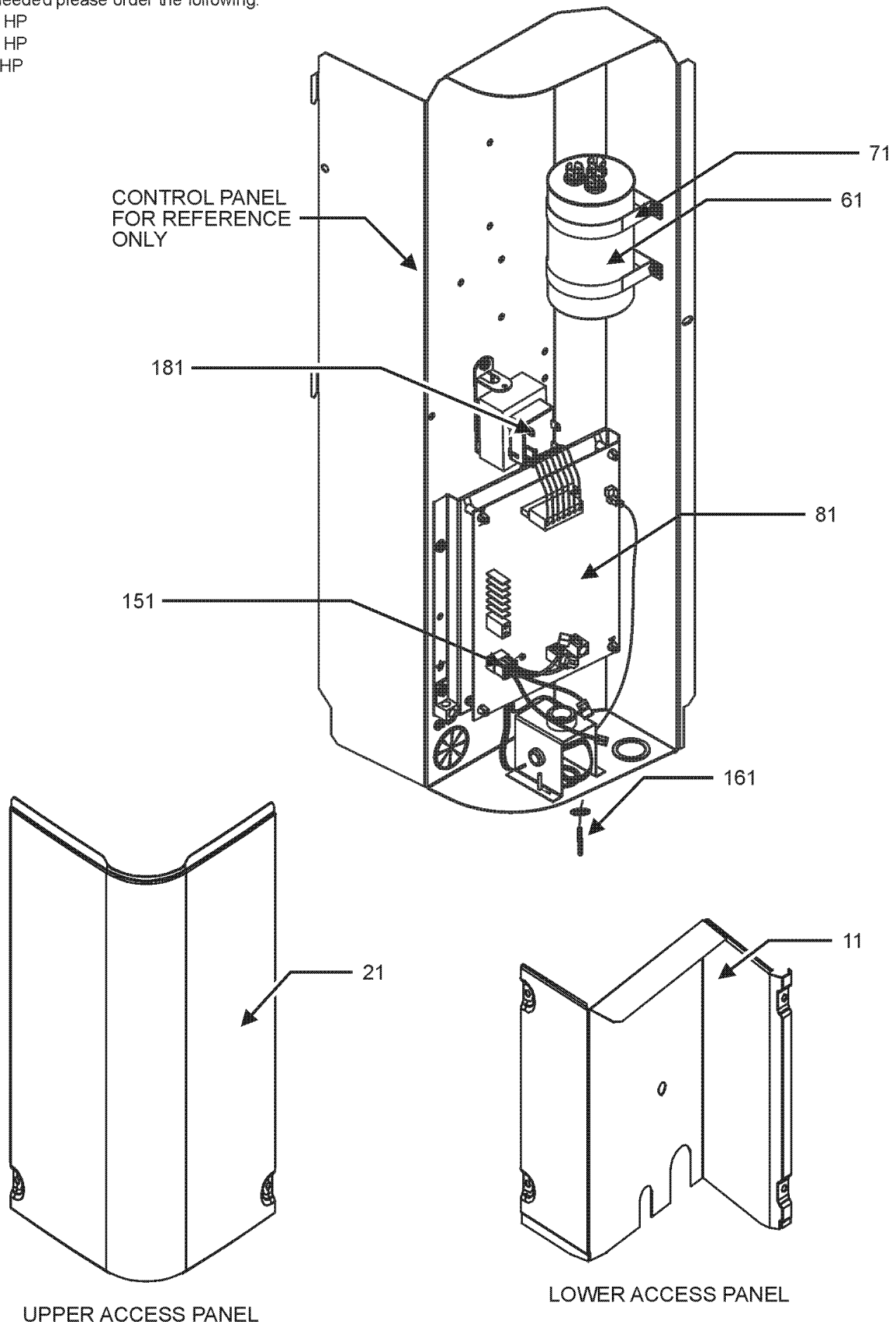
# Control Box Assembly

\*If end bells are needed please order the following:

0131M00182 - 1/2 HP

0131M00183 - 3/4 HP

0131M00184 - 1 HP



# Control Box Assembly

Ref. Part No:	Ref. Part No:	Description:	Description:
---------------	---------------	--------------	--------------

**Image 1:**

11	0121R00324PDG	LOWER ACCESS PANEL (M1, M2, M3, M4)
11	0121R00662PDG	LOWER ACCESS PANEL (M5, M6, M7, M8, M9)
21	0121R00054PDG	CONTROL COVER
61	CAP050350440CS	CAP, 5/35 MFD/440V/DUAL RD (M1, M2, M5, M6, M7)
61	CAP050400440CT	CAP, 5/40 MFD/440V/DUAL RD (M3, M4)
61	CAP050450440CT	CAP, 5/45 MFD/440V/DUAL RD (M8, M9)
71	0121R00213	CAPACITOR STRAP (QTY 2)
81	PCBGR104	PCB, CONTROL (M2, M4, M7, M9)
81	PCBGR103	PCB, CONTROL, 2 STG, AC (M1, M3, M5, M6, M8)
151	0159R00011	WIRE ASSEMBLY, ECM MOTOR
161	0130M00054	OUTDOOR AIR TEMP SENSOR
181	0130M00138	TRANSFORMER (M2, M4, M7, M9)
NS	0161R00087	NAMEPLATE, AMANA LOGO
NS	0130R00068	SHARED DATA (M1)
NS	0130R00071	SHARED DATA (M3)
NS	0130R00074	SHARED DATA (M5, M6)
NS	0130R00077	SHARED DATA (M8)
NS	0130R00133	SHARED DATA (M2)
NS	0130R00134	SHARED DATA (M4)
NS	0130R00135	SHARED DATA (M7)
NS	0130R00136	SHARED DATA (M9)

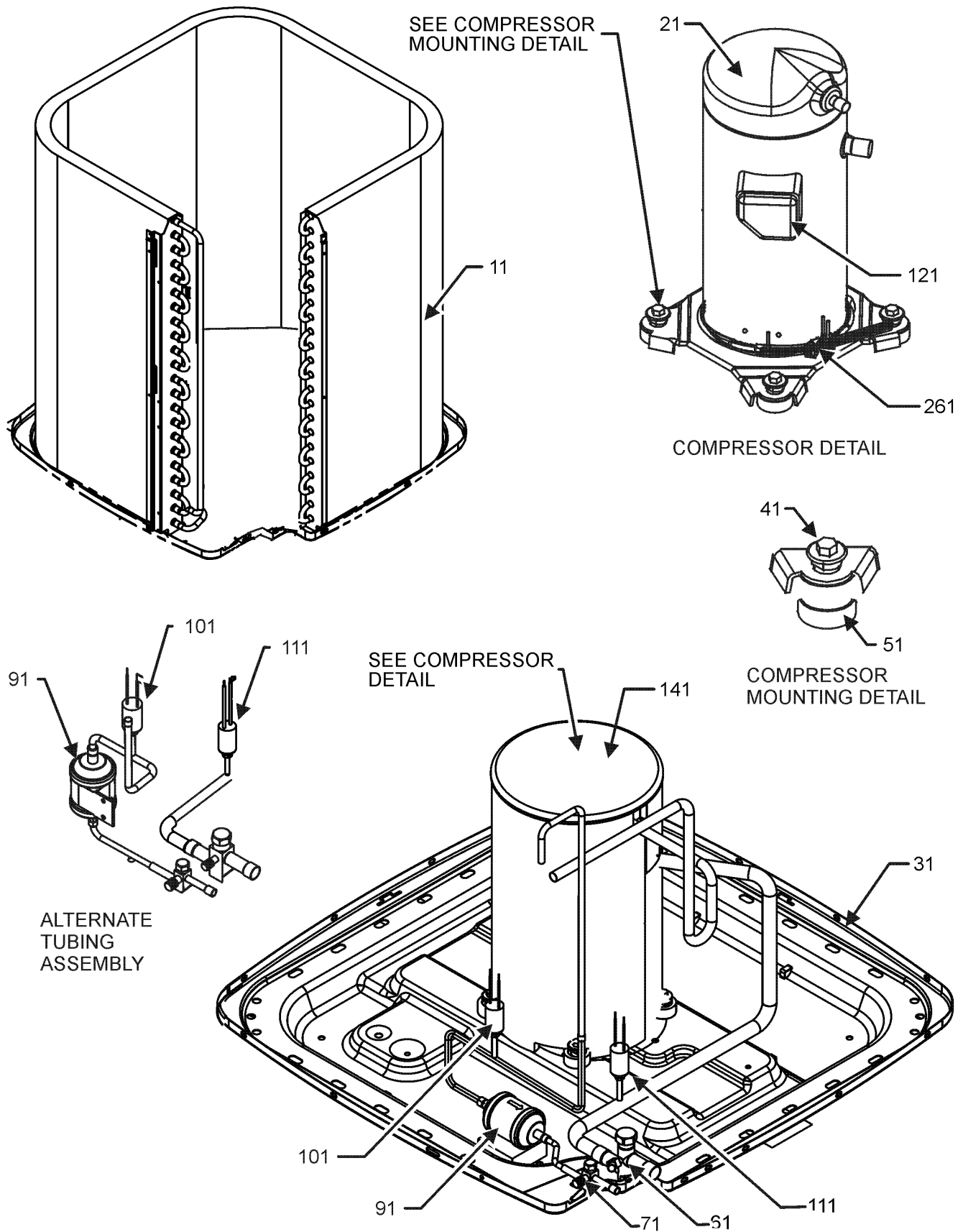
**Expanded Model Nomenclature**

- |                   |
|-------------------|
| M1 - ASXC180241BA |
| M2 - ASXC180241BB |
| M3 - ASXC180361BA |
| M4 - ASXC180361BB |
| M5 - ASXC180481BA |
| M6 - ASXC180481BB |
| M7 - ASXC180481BC |
| M8 - ASXC180601BA |
| M9 - ASXC180601BB |

\*If end bells are needed please order the following:

- 0131M00182 - 1/2 HP
- 0131M00183 - 3/4 HP
- 0131M00184 - 1 HP

# Compressor and Tubing Assembly



# Compressor and Tubing Assembly

Ref. Part No:	Ref. Part No:	Description:	Description:
---------------	---------------	--------------	--------------

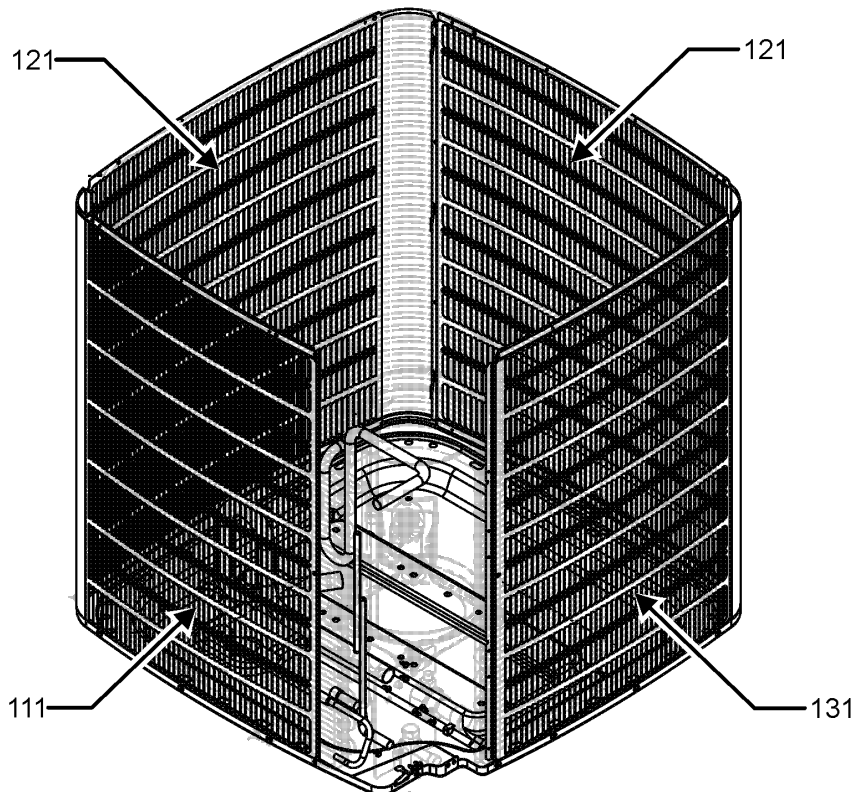
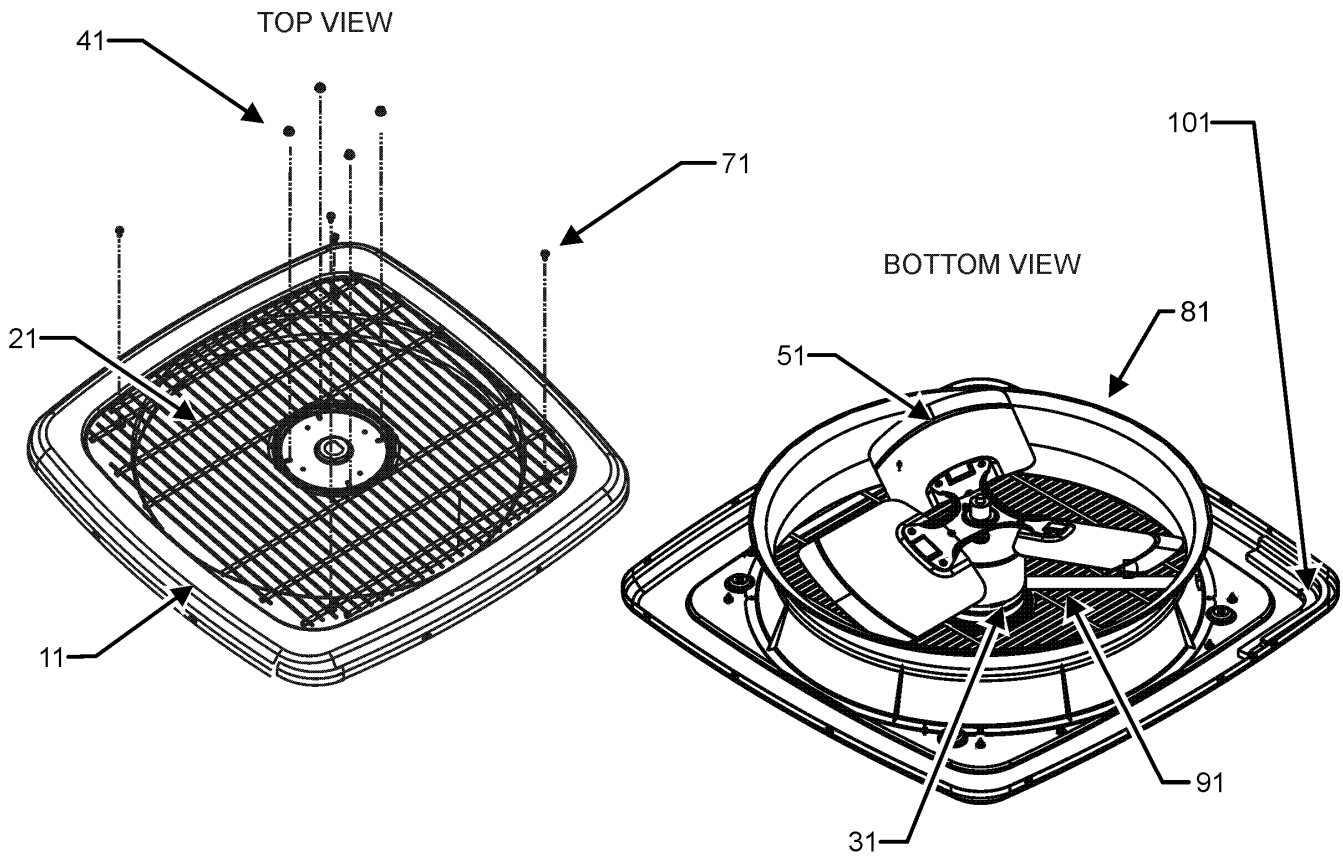
**Image 1:**

11	0201R00433	COIL TUBING ASSY (M1, M2, M3, M4)
11	0201R00692	COIL TUBING ASSY (M5, M6, M7, M8, M9)
21	ZPS49K6EPFV130	COMP 49000,208/230/60/1 (M8, M9)
21	ZPS19K6EPFV130	COMP, 19000,208/230/60/1 (M1, M2)
21	ZPS29K6EPFV130	COMP, 29000,208/230/60/1 (M3, M4)
21	ZPS40K6EPFV130	COMP, 40000,208/230/60/1 (M5, M6, M7)
31	0121R00007PDG	BASE PAN 35"
41	M0221641	TF SHOULDER SCREW (QTY 4)
51	B1339533	GROMMET, COMPRESSOR (SCROLL & (QTY 4)
61	0151R00079	BASE VALVE 3/4" (M1, M2, M3, M4)
61	0151R00080	BASE VALVE 7/8" (M5, M6, M7, M8, M9)
71	0151R00167	BASE VALVE 3/8"
91	0162R00009	FILTER DRIER
101	0130R00003	CUT-OUT SWITCH, HIGH PRESSURE
111	0130M00086	LOW PRESSURE SWITCH
121	0159R00009	COMPRESSOR SCROLL HARNESS
141	B1488806	COMPRESSOR SOUND BLANKET (M5, M6, M7, M8, M9)
141	B1488810	COMPRESSOR SOUND BLANKET (M1, M2, M3, M4)
261	0163R00006	HEATER, CRANKCASE 230V, 40W (M1, M2, M3, M4)
261	0163R00007	HEATER, CRANKCASE 230V, 40W (M5, M6, M7, M8, M9)
NS	0130M00005P	WIRE HARNESS, COMPR SOLENOID

**Expanded Model Nomenclature**

- |                   |
|-------------------|
| M1 - ASXC180241BA |
| M2 - ASXC180241BB |
| M3 - ASXC180361BA |
| M4 - ASXC180361BB |
| M5 - ASXC180481BA |
| M6 - ASXC180481BB |
| M7 - ASXC180481BC |
| M8 - ASXC180601BA |
| M9 - ASXC180601BB |

# Top and Louver Side Panel Assembly



LOUVER PANEL ASSEMBLY

# Top and Louver Side Panel Assembly

Ref. Part No:	No:	Description:	Ref. Part No:	No:	Description:
<b>Image 1:</b>					
11	0121R00577PDG	TOP PANEL 35"			
21	0152R00019	GRILL, WIRE 35" TOP			
31	0131M00804	MOTOR, ECM (M5, M6, M7, M8, M9)			
31	0131M00827	MOTOR, ECM (M1, M2, M3, M4)			
41	M0280801	HEX NUT (QTY 4)			
51	0150M00054	FAN BLADE, 26"			
71	0163M00003P	SCREW #10 X 1/2, A, SLOT, SR, BLACK (QTY 6)			
81	0161R00049	VENTURI 26" MOLDED RING			
91	0163M00385	CONDUIT-FLEXIBLE			
101	0154R00006	GASKET, CONTROL PANEL			
111	0121R00240PLG	PANEL 1, BENT LOUVER 35 (M1, M2, M3, M4)			
111	0121R00601PLG	PANEL 1, BENT LOUVER 35_39.84 (M5, M6, M7, M8, M9)			
121	0121R00244PLG	PANEL 2, BENT LOUVER 35 (M1, M2, M3, M4)			
121	0121R00514PLG	PANEL 2, BENT LOUVER 35_39.84 (M5, M6, M7, M8, M9)			
131	0121R00248PLG	PANEL 3, LOUVER 35 (M1, M2, M3, M4)			
131	0121R00603PLG	PANEL 3, LOUVER 35_39.84 PNT (M5, M6, M7, M8, M9)			
NS	0161R00086	CAP, AMANA LOGO			

## Expanded Model Nomenclature

M1 - ASXC180241BA
M2 - ASXC180241BB
M3 - ASXC180361BA
M4 - ASXC180361BB
M5 - ASXC180481BA
M6 - ASXC180481BB
M7 - ASXC180481BC
M8 - ASXC180601BA
M9 - ASXC180601BB