

ASXC16 2-Stage Remote Condensing Units

ASXC160241CA
ASXC160241CB
ASXC160361CA
ASXC160361CB
ASXC160361CC
ASXC160481CA
ASXC160481CB
ASXC160481CC
ASXC160601CA
ASXC160601CB



Amana® is a registered trademark of Maytag Corporation or its related companies and is used under license. All rights reserved.

This manual is to be used by qualified technicians only.

This manual replaces RP-A4322A.

© 2017 - 2019 Goodman Company, L.P. ♦ 5151 San Felipe St, Suite 500 ♦ Houston, TX 77056

Important Information

Index

Functional Parts List	3
Illustration and Parts	4 - 9

Views shown are for parts illustrations only, not servicing procedures.

Text Codes:

AR - As Required

NA - Not Available

NS - Not Shown

00000000 - See Note

QTY - Quantity Example (QTY 3) (If Quantity not shown, Quantity = 1)

M - Model Example (M1) (If M Code not shown, then part is used on all Models)

Expanded Model Nomenclature:

Example
M1 - Model#1
M2 - Model#2
M3 - Model#3

Goodman Company, L.P. is not responsible for personal injury or property damage resulting from improper service. Review all service information before beginning repairs.

Warranty service must be performed by an authorized technician, using authorized factory parts. If service is required after the warranty expires, Goodman Company, L.P. also recommends contacting an authorized technician and using authorized factory parts.

Goodman Company, L.P. reserves the right to discontinue, or change at any time, specifications or designs without notice or without incurring obligations.

For assistance within the U.S.A. contact:

Homeowner Support
Goodman Company, L.P.
19001 Kermier Road
Waller, Texas 77484
877-254-4729-Telephone
713-863-2382-Facsimile

For assistance outside the U.S.A. contact:

International Division
Goodman Company, L.P.
19001 Kermier Road
Waller, Texas 77484
713-861-2500-Telephone
713-863-2382-Facsimile

Functional Parts

Part

No: Description:

0151R00079	BASE VALVE 3/4" (M1, M2, M3, M4, M5)
0151R00167	BASE VALVE 3/8"
0151R00080	BASE VALVE 7/8" (M6, M7, M8, M9, M10)
CAP050350440CS	CAPACITOR 5/35/440V (M1, M2, M6, M7, M8)
CAP050400440CT	CAPACITOR 5/40/440V/DUAL RD (M3, M4, M5)
CAP050450440CT	CAPACITOR 5/45/440V/DUAL RD (M9, M10)
ZPS49K6EPFV130	COMP 49000,208/230/60/1 (M9, M10)
ZPS19K6EPFV130	COMP, 19000,208/230/60/1 (M1, M2)
ZPS29K6EPFV130	COMP, 29000,208/230/60/1 (M3, M4, M5)
ZPS40K6EPFV130	COMP, 40000,208/230/60/1 (M6, M7, M8)
0163R00007	HEATER, CRANKCASE 230V, 40W (M6, M7, M8, M9, M10)
0130R00003	HIGH PRESSURE SWITCH
0130M00086	LOW PRESSURE SWITCH
0131M00295	MOTOR 1/6 HP 2SP 8PL (M3, M4, M6, M7)
0131M00866	MOTOR, 1/5 HP, 2SP, 8PL (M5, M8)
0131M00117	MOTOR, 1/6HP, 2SP, 8PL (M1, M2)
0131M00804	MOTOR, ECM (M9, M10)
0130M00054	OUTDOOR AIR TEMP SENSOR
PCBGR104	PCB, CONTROL (M2, M4, M5, M7, M8, M10)
PCBGR103	PCB, CONTROL, 2 STG, AC (M1, M3, M6, M9)
0130R00124	SHARED DATA (M10)
0130R00123	SHARED DATA (M7, M8)
0130R00122	SHARED DATA (M4, M5)
0130R00121	SHARED DATA (M2)
0130R00089	SHARED DATA (M9)
0130R00086	SHARED DATA (M6)
0130R00083	SHARED DATA (M3)
0130R00080	SHARED DATA (M1)
0130M00138	TRANSFORMER (M2, M4, M5, M7, M8, M10)

SPECIAL PARTS

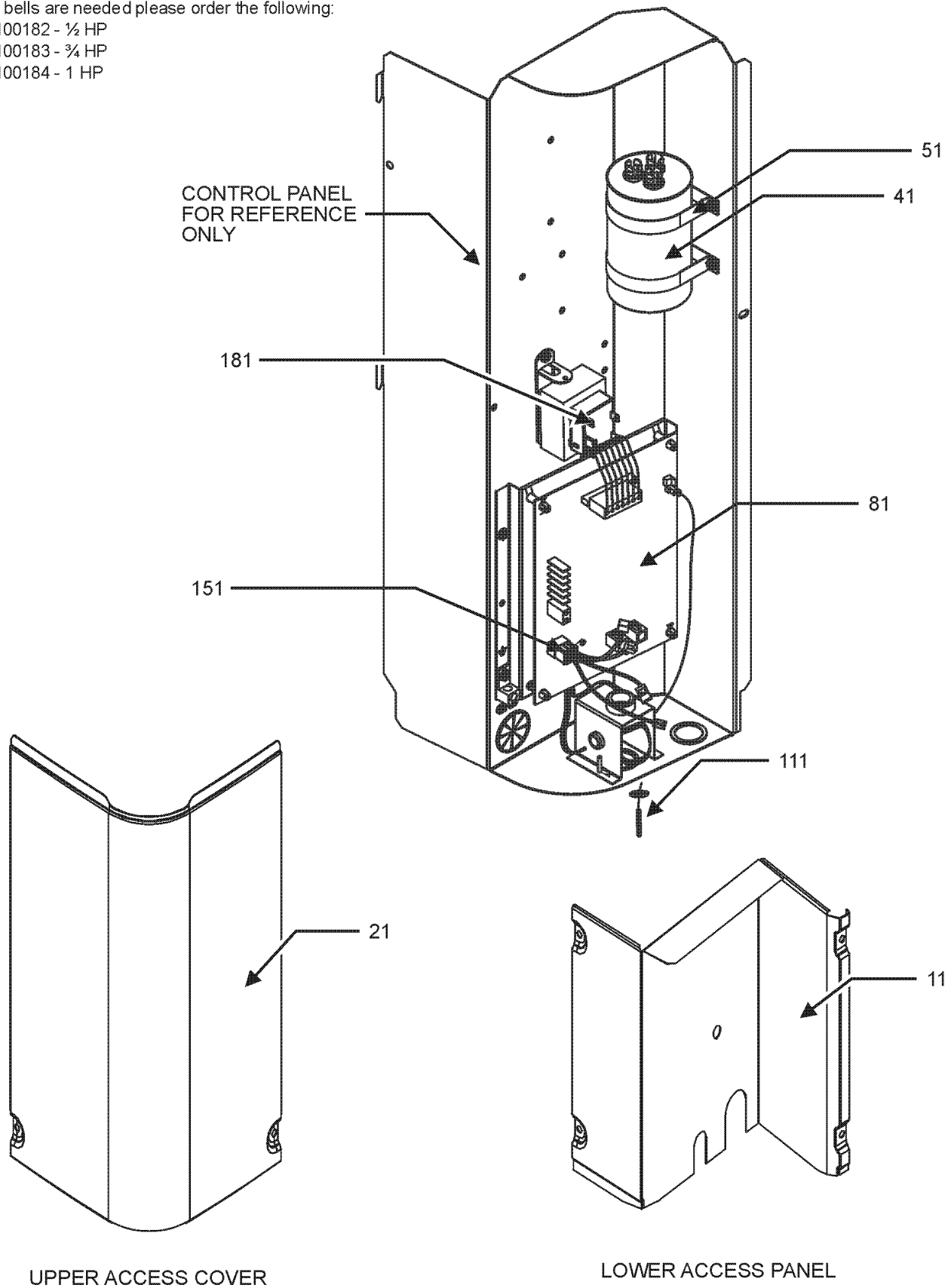
0161R00086	CAP, GRILL
0161R00087	NAMEPLATE, AMANA LOGO

Expanded Model Nomenclature

M1 - ASXC160241CA
M2 - ASXC160241CB
M3 - ASXC160361CA
M4 - ASXC160361CB
M5 - ASXC160361CC
M6 - ASXC160481CA
M7 - ASXC160481CB
M8 - ASXC160481CC
M9 - ASXC160601CA
M10 - ASXC160601CB

Control Cover and Control Box Assembly

*If end bells are needed please order the following:
0131M00182 - 1/2 HP
0131M00183 - 3/4 HP
0131M00184 - 1 HP



Control Cover and Control Box Assembly

Ref. Part No: No:	Description:	Ref. Part No: No:	Description:
-------------------	--------------	-------------------	--------------

Image 1:

11	0121R00315PDG	PANEL, LOWER ACCESS PNT (M3, M4, M5)
11	0121R00625PDG	PANEL, LOWER ACCESS PNT (M6, M7, M8)
11	0121R00663PDG	PANEL, LOWER ACCESS PNT (M1, M2)
11	0121R00662PDG	PANEL, LOWR ACCESS PNT (M9, M10)
21	0121R00053PDG	CONTROL COVER (M1, M2, M6, M7, M8)
21	0121R00054PDG	CONTROL COVER (M3, M4, M5, M9, M10)
41	CAP050350440CS	CAPACITOR 5/35/440V (M1, M2, M6, M7, M8)
41	CAP050400440CT	CAPACITOR 5/40/440V/DUAL RD (M3, M4, M5)
41	CAP050450440CT	CAPACITOR 5/45/440V/DUAL RD (M9, M10)
51	0121R00213	CAPACITOR STRAP (QTY 2)
81	PCBGR104	PCB, CONTROL (M2, M4, M5, M7, M8, M10)
81	PCBGR103	PCB, CONTROL, 2 STG, AC (M1, M3, M6, M9)
111	0130M00054	OUTDOOR AIR TEMP SENSOR
151	0159R00011	WIRE ASSEMBLY, ECM MOTOR (M9, M10)
151	0159R00010	WIRE ASSEMBLY, PSC MOTOR (M1, M2, M3, M4, M5, M6, M7, M8)
181	0130M00138	TRANSFORMER (M2, M4, M5, M7, M8, M10)
NS	0161R00087	NAMEPLATE, AMANA LOGO
NS	0130R00080	SHARED DATA (M1)
NS	0130R00083	SHARED DATA (M3)
NS	0130R00086	SHARED DATA (M6)
NS	0130R00089	SHARED DATA (M9)
NS	0130R00121	SHARED DATA (M2)
NS	0130R00122	SHARED DATA (M4, M5)
NS	0130R00123	SHARED DATA (M7, M8)
NS	0130R00124	SHARED DATA (M10)

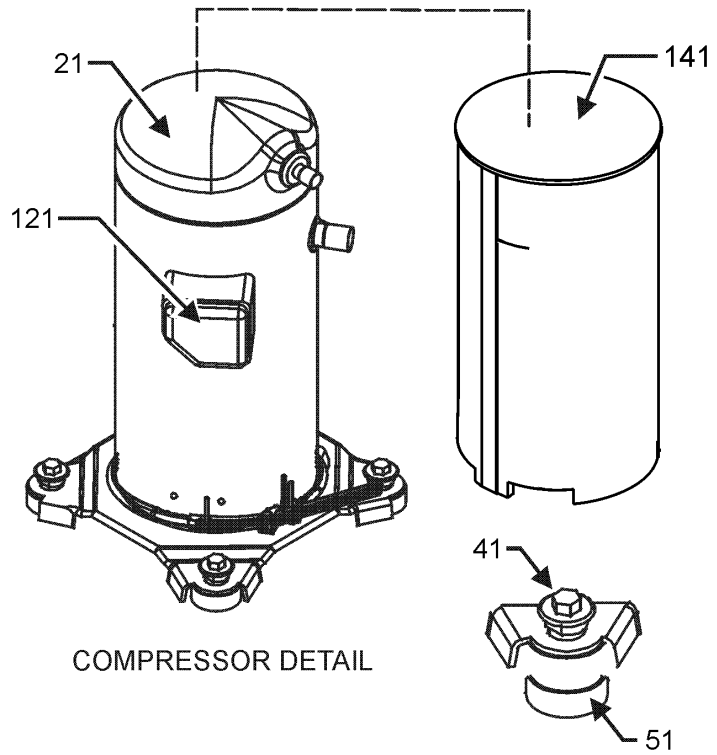
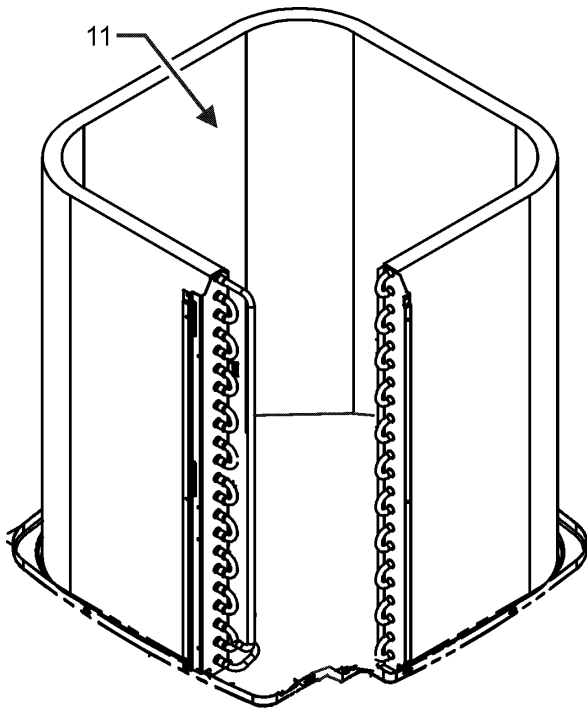
Expanded Model Nomenclature

M1 - ASXC160241CA
M2 - ASXC160241CB
M3 - ASXC160361CA
M4 - ASXC160361CB
M5 - ASXC160361CC
M6 - ASXC160481CA
M7 - ASXC160481CB
M8 - ASXC160481CC
M9 - ASXC160601CA
M10 - ASXC160601CB

*If end bells are needed please order the following:

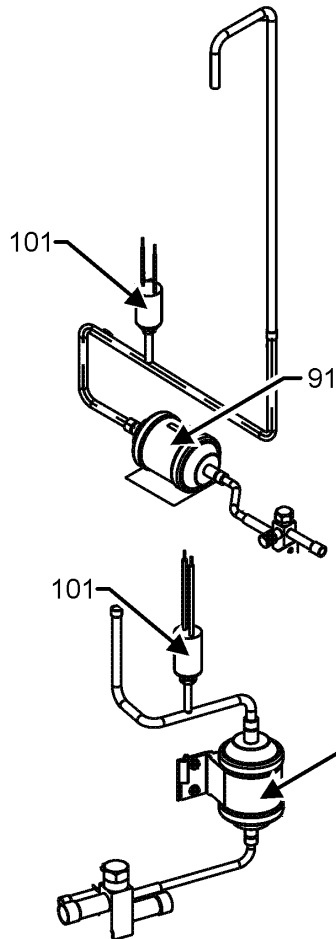
0131M00182 - 1/2 HP
 0131M00183 - 3/4 HP
 0131M00184 - 1 HP

Compressor and Tubing Assembly

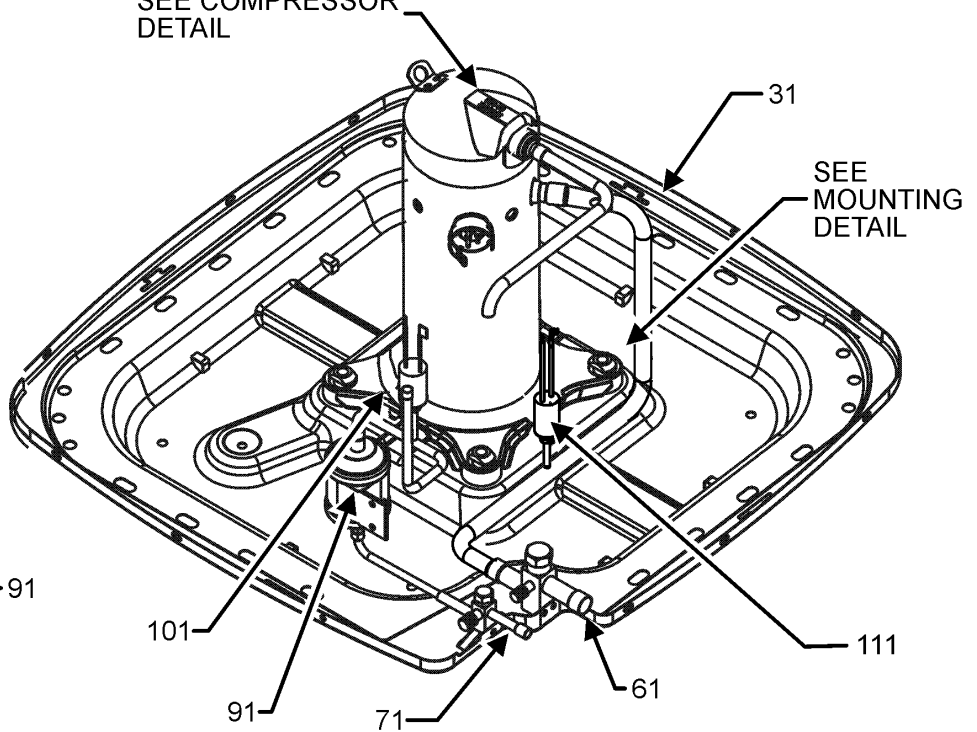


COMPRESSOR DETAIL

MOUNTING DETAIL



SEE COMPRESSOR
DETAIL



SEE
MOUNTING
DETAIL

ALTERNATE TUBING ASSEMBLIES

TUBING ASSEMBLY MAY DIFFER FROM WHAT IS SHOWN

Compressor and Tubing Assembly

Ref. Part No:	Ref. Part No:	Description:	Description:
---------------	---------------	--------------	--------------

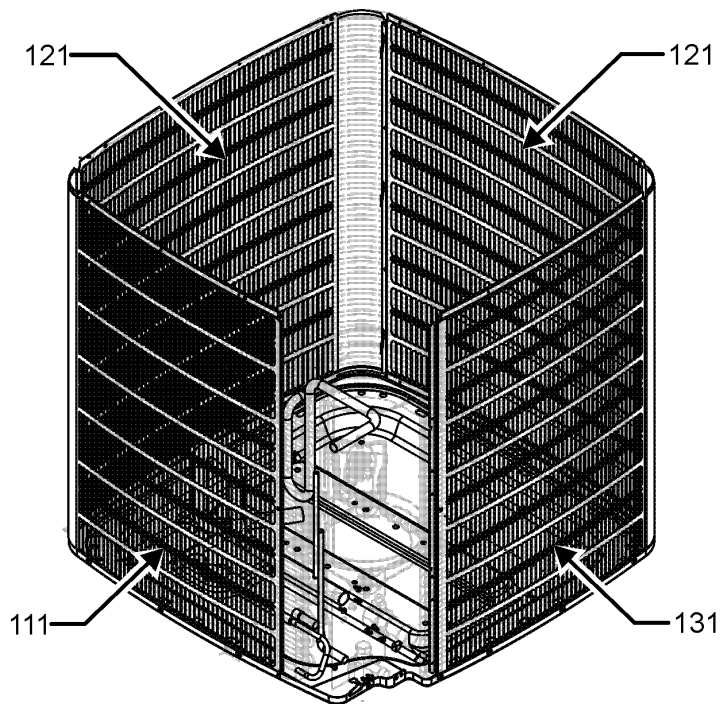
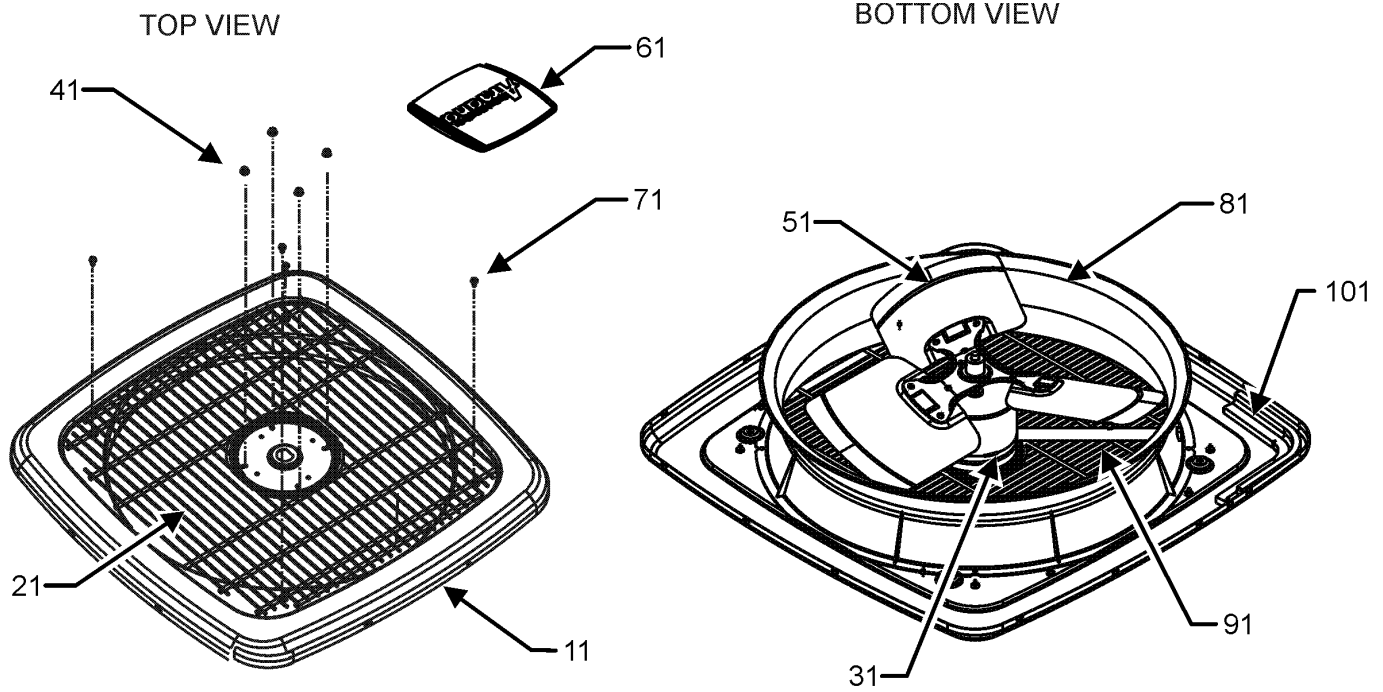
Image 1:

11	0201R00296	COIL TUBING ASSY (M1, M2)
11	0201R00311	COIL TUBING ASSY (M3, M4, M5)
11	0201R00692	COIL TUBING ASSY (M9, M10)
11	0201R00697	COIL TUBING ASSY (M6, M7, M8)
21	ZPS49K6EPFV130	COMP 49000,208/230/60/1 (M9, M10)
21	ZPS19K6EPFV130	COMP, 19000,208/230/60/1 (M1, M2)
21	ZPS29K6EPFV130	COMP, 29000,208/230/60/1 (M3, M4, M5)
21	ZPS40K6EPFV130	COMP, 40000,208/230/60/1 (M6, M7, M8)
31	0121R00006PDG	BASE PAN 29" (M1, M2)
31	0121R00007PDG	BASE PAN 35" (M3, M4, M5, M6, M7, M8, M9, M10)
41	M0221641	TF SHOULDER SCREW (QTY 4)
51	B1339533	GROMMET, COMPRESSOR (SCROLL & (QTY 4)
61	0151R00079	BASE VALVE 3/4" (M1, M2, M3, M4, M5)
61	0151R00080	BASE VALVE 7/8" (M6, M7, M8, M9, M10)
71	0151R00167	BASE VALVE 3/8"
91	0162R00009	FILTER DRIER
101	0130R00003	HIGH PRESSURE SWITCH
111	0130M00086	LOW PRESSURE SWITCH
121	0159R00001P	COMPRESSOR SCROLL HARNESS (M1, M2)
121	0159R00009	COMPRESSOR SCROLL HARNESS (M3, M4, M5, M6, M7, M8, M9, M10)
141	B1488806	COMPRESSOR SOUND BLANKET (M6, M7, M8, M9, M10)
141	B1488810	COMPRESSOR SOUND BLANKET (M1, M2, M3, M4, M5)
NS	0163R00007	HEATER, CRANKCASE 230V, 40W (M6, M7, M8, M9, M10)
NS	0130M00005P	WIRE HARNESS, COMPR SOLENOID

Expanded Model Nomenclature

- | |
|--------------------|
| M1 - ASXC160241CA |
| M2 - ASXC160241CB |
| M3 - ASXC160361CA |
| M4 - ASXC160361CB |
| M5 - ASXC160361CC |
| M6 - ASXC160481CA |
| M7 - ASXC160481CB |
| M8 - ASXC160481CC |
| M9 - ASXC160601CA |
| M10 - ASXC160601CB |

Cabinet Top and Side Panel Assembly



LOUVER PANEL ASSEMBLY

Cabinet Top and Side Panel Assembly

Ref. Part No: No:	Description:	Ref. Part No: No:	Description:
-------------------	--------------	-------------------	--------------

Image 1:

11	0121R00577PDG	TOP PANEL PAINTED, 35" (M3, M4, M5, M6, M7, M8, M9, M10)
11	0121R00011PDG	VENTURI TOP PANEL 29" (M1, M2)
21	0152R00019	GRILL, WIRE 35" TOP (M9, M10)
21	0152R00015	GRILLE, WIRE 29" TOP (M1, M2)
21	0152R00016	GRILLE, WIRE 35" TOP (M3, M4, M5, M6, M7, M8)
31	0131M00295	MOTOR 1/6 HP 2SP 8PL (M3, M4, M6, M7)
31	0131M00866	MOTOR, 1/5 HP, 2SP, 8PL (M5, M8)
31	0131M00117	MOTOR, 1/6HP, 2SP, 8PL (M1, M2)
31	0131M00804	MOTOR, ECM (M9, M10)
41	M0280801	HEX NUT (QTY 4)
51	0150M00008	FAN BLADE 22" TNT2203-25 (M1, M2)
51	0150M00054	FAN BLADE, 26" (M3, M4, M5, M6, M7, M8, M9,
61	0161R00086	CAP, GRILL
71	0163M00003P	SCREW #10 X 1/2, A, SLOT, SR, BLACK (QTY 6)
81	0161R00049	MOLDED RING-VENTURI 26" (M3, M4, M5, M6, M7, M8, M9, M10)
91	0161R00069	CONDUIT (M1, M2)
91	0161R00070	CONDUIT (M3, M4, M5, M6, M7, M8)
91	0163M00385	CONDUIT-FLEXIBLE (M9, M10)
101	0154R00006	GASKET, CONTROL PANEL
111	0121R00200PLG	LOUVERED SIDE PANEL [LT OF CNTL PNL] (M1, M2)
111	0121R00239PLG	LOUVERED SIDE PANEL [LT OF CNTL PNL] (M3, M4, M5)
111	0121R00598PLG	PANEL 1, BENT LOUVER 35_34.64 (M6, M7, M8)
111	0121R00601PLG	PANEL 1, BENT LOUVER 35_39.84 (M9, M10)
121	0121R00204PLG	LOUVERED SIDE PANEL (M1, M2)
121	0121R00243PLG	LOUVERED SIDE PANEL (M3, M4, M5)
121	0121R00599PLG	LOUVERED SIDE PANEL (M6, M7, M8)
121	0121R00514PLG	PANEL 2, BENT LOUVER 35_39.84 (M9, M10)
131	0121R00193PLG	LOUVERED SIDE PANEL [RT OF CNTL PNL] (M1, M2)
131	0121R00247PLG	LOUVERED SIDE PANEL [RT OF CNTL PNL] (M3, M4, M5)
131	0121R00600PLG	LOUVERED SIDE PANEL [RT OF CNTL PNL] (M6, M7, M8)
131	0121R00603PLG	PANEL 3, LOUVER 35_39.84 PNT (M9, M10)

Expanded Model Nomenclature

M1 - ASXC160241CA
M2 - ASXC160241CB
M3 - ASXC160361CA
M4 - ASXC160361CB
M5 - ASXC160361CC
M6 - ASXC160481CA
M7 - ASXC160481CB
M8 - ASXC160481CC
M9 - ASXC160601CA
M10 - ASXC160601CB