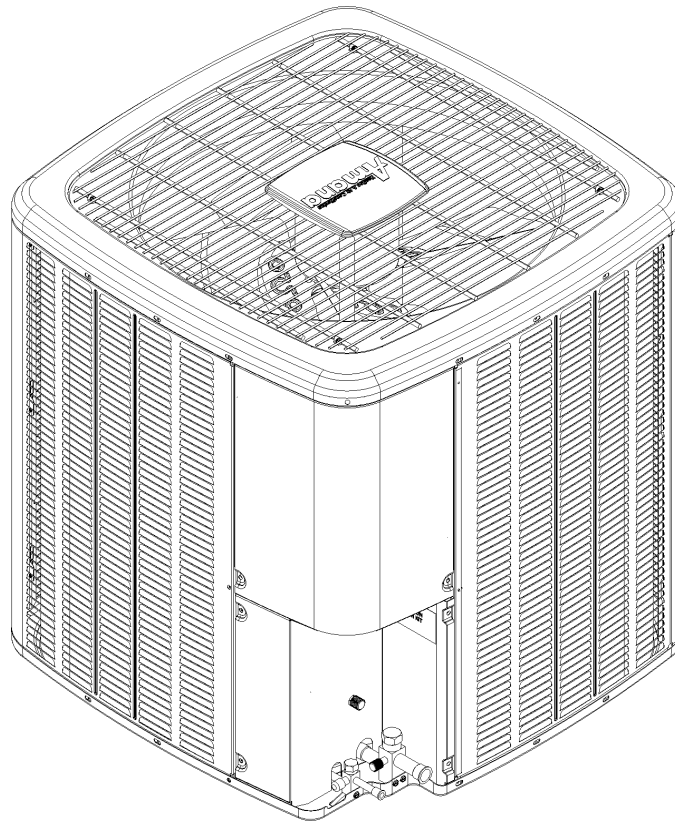


## ASX 18 SEER Remote Condensing Unit

ASX180361AB  
ASX180481AB  
ASX180601AB



# Important Information

---

## Index

Functional Parts List .....	3
Illustration and Parts .....	4 - 9

*Views shown are for parts illustrations only, not servicing procedures*

This system uses R410A refrigerant. If sealed system work is required, use approved equipment and follow service procedures. Refer to Service Manual or Installation Instructions for service procedures.

### Text Codes:

AR - As Required

NA - Not Available

NS - Not Shown

00000000 - See Note

QTY - Quantity Example (QTY 3) (If Quantity not shown, Quantity = 1)

M - Model Example (M1) (If M Code not shown, then part is used on all Models)

### Expanded Model Nomenclature:

Example

M1 - Model#1

M2 - Model#2

M3 - Model#3

Goodman Company, L.P. is not responsible for personal injury or property damage resulting from improper service. Review all service information before beginning repairs.

Warranty service must be performed by an authorized technician, using authorized factory parts. If service is required after the warranty expires, Goodman Company, L.P. also recommends contacting an authorized technician and using authorized factory parts.

Goodman Company, L.P. reserves the right to discontinue, or change at any time, specifications or designs without notice or without incurring obligations.

For assistance within the U.S.A. contact:

Consumer Affairs Department

Goodman Company, L.P.

7401 Security Way

Houston, Texas 77040

877-254-4729-Telephone

713-863-2382-Facsimile

For assistance outside the U.S.A. contact:

International Division

Goodman Company, L.P.

7401 Security Way

Houston, Texas 77040

713-861-2500-Telephone

713-863-2382-Facsimile

# Functional Parts

## Part

## No: Description:

---

0201R00137S	ASSY, SERVICE COIL (M2, M3)
1362110	ASSY, SERVICE COIL (M1)
CAP050400370RS	CAPACITOR 5/40/370V (M1)
CAP050450370RS	CAPACITOR 5/45/370V (M2)
CAP050800370RT	CAPACITOR 5/80/370V (M3)
ZPS30K4EPFV930	COMPRESSOR 30000, 208/230/60/1 2 STG (M1)
ZPS40K4EPFV930	COMPRESSOR 40000, 208/230/60/1 2 STG (M2)
ZPS51K4EPFV930	COMPRESSOR 52000, 208/230/60/1 2 STG (M3)
B1488806S	COMPRESSOR SOUND BLANKET
CONT1P030024V	CONTACTOR 30 AMP, 1P, 24 VAC (M1, M2)
CONT2P040024V	CONTACTOR 40 AMP, 2P, 24 VAC (M3)
B5134711	FILTER DRIER
0131M00072S	MOTOR, 1/3 HP ECM 142
20322603	SWITCH, CUT-OUT HIGH PRESSURE
20340402	SWITCH, CUT-OUT LOW PRESSURE
B12825171	VALVE, SERVICE 3/8" OPEN
0151R00003P	VALVE, SERVICE 7/8" OPEN LEFT
0130M00005P	WIRE HARNESS, COMPRESSOR SOLENOID

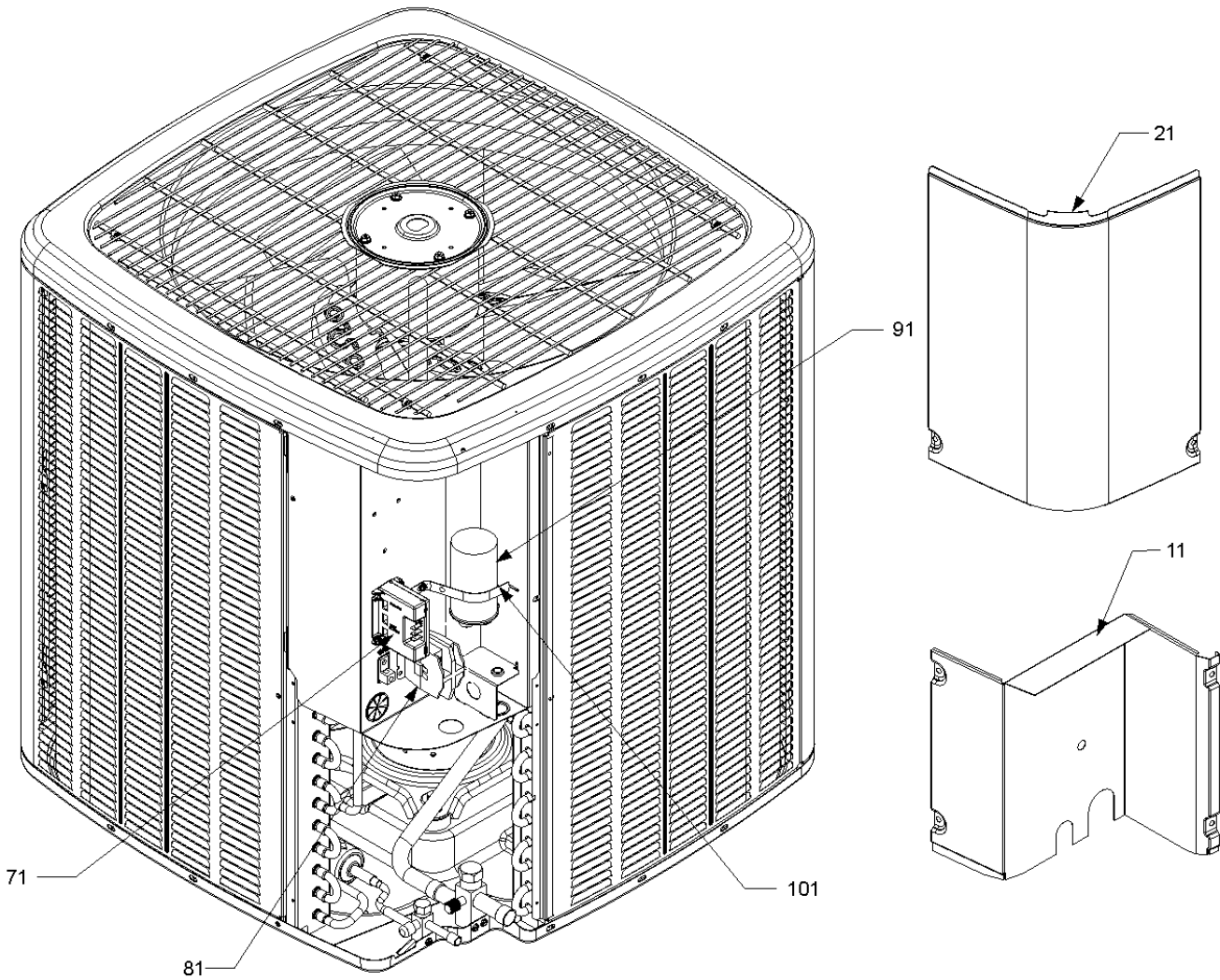
### SPECIAL PARTS

IO-258D	INSTALLATION INSTRUCTIONS
0161R00010P	NAMEPLATE, AMANA LOGO
RP-455	REPAIR PARTS MANUAL

### Expanded Model Nomenclature

M1 - ASX180361AB
M2 - ASX180481AB
M3 - ASX180601AB

# Control Cover/Control Box



# Control Cover/Control Box

Ref Part			Ref. Part		
.	No:	Description:	No:	No:	Description:

---

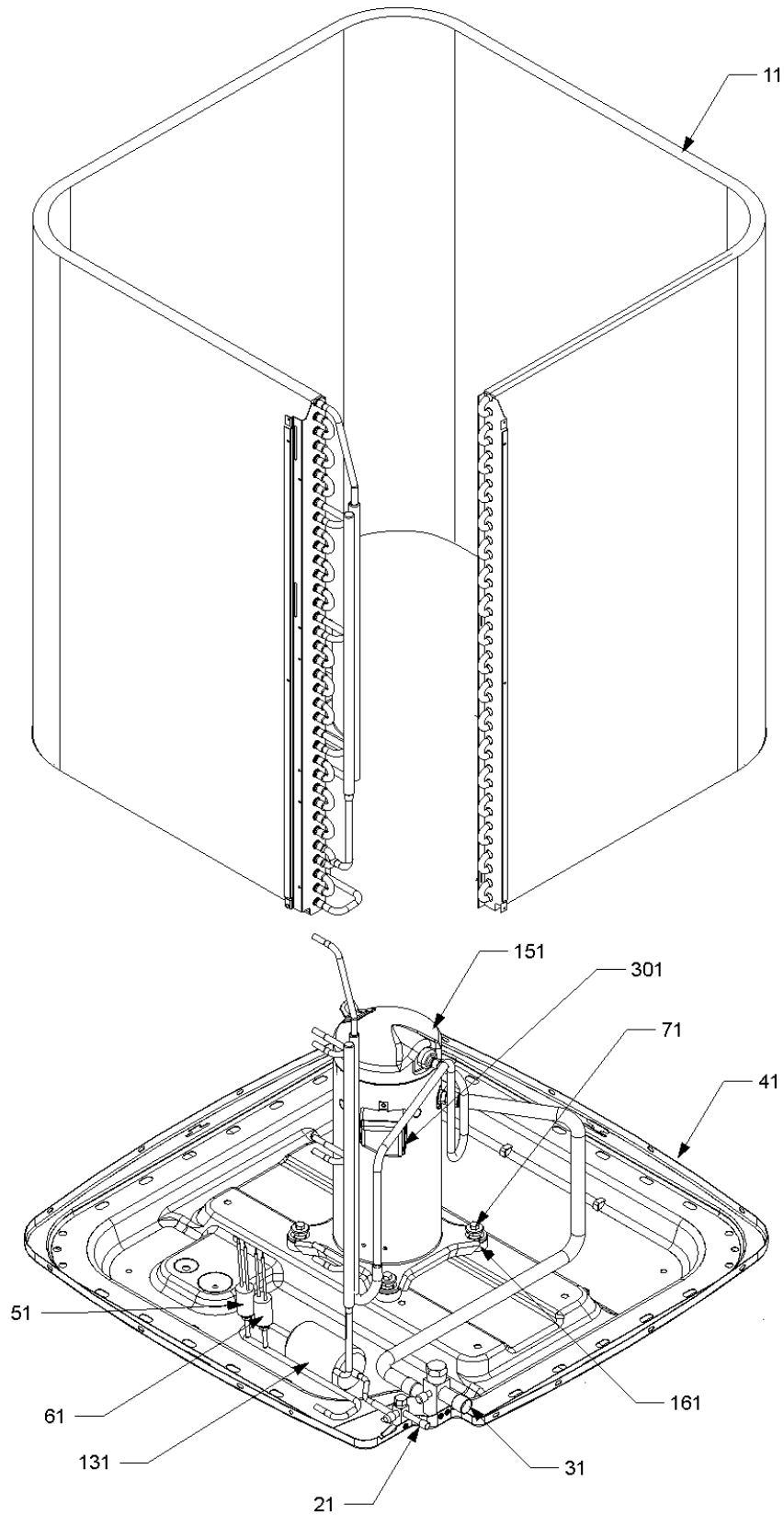
Image 1:

11	4400209PDG	PANEL, LOWER ACCESS
21	0121R00054PDG	CONTROL COVER, LARGE PNT
71	0130M00007P	COMFORT ALERT MODULE
81	CONT1P030024V	CONTACTOR 30 AMP, 1P, 24 VAC (M1, M2)
81	CONT2P040024V	CONTACTOR 40 AMP, 2P, 24 VAC (M3)
91	CAP050400370RS	CAPACITOR 5/40/370V (M1)
91	CAP050450370RS	CAPACITOR 5/45/370V (M2)
91	CAP050800370RT	CAPACITOR 5/80/370V (M3)
101	4400065	CAPACITOR STRAP
NS	0161R00010P	NAMEPLATE, AMANA LOGO

Expanded Model Nomenclature

M1 - ASX180361AB
M2 - ASX180481AB
M3 - ASX180601AB

# Basepan/Compressor/Tubing Assembly



# Basepan/Compressor/Tubing Assembly

Ref Part No:	Description:	Ref. Part No:	Description:
--------------	--------------	---------------	--------------

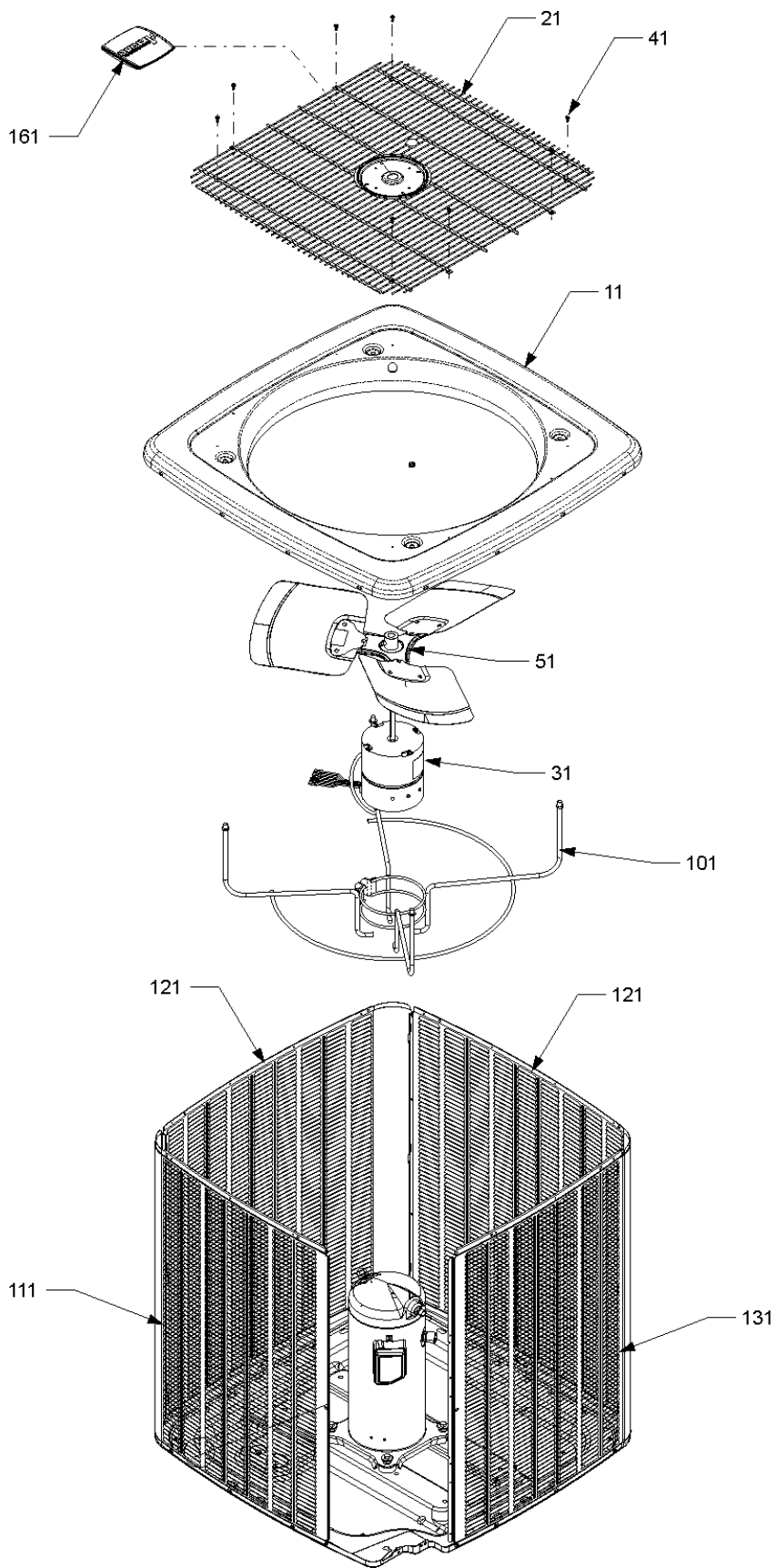
Image 1:

11	0201R00137S	ASSY, SERVICE COIL (M2, M3)
11	1362110	ASSY, SERVICE COIL (M1)
21	B12825171	VALVE, SERVICE 3/8" OPEN
31	0151R00003P	VALVE, SERVICE 7/8" OPEN LEFT
41	0121R00007PDG	BASE PAN 35"
51	20340402	SWITCH, CUT-OUT LOW PRESSURE
61	20322603	SWITCH, CUT-OUT HIGH PRESSURE
71	M0221641	SCREW-SHOULDER TF (QTY 4)
131	B5134711	FILTER DRIER
151	ZPS30K4EPFV930	COMPRESSOR 30000, 208/230/60/1 2 STG (M1)
151	ZPS40K4EPFV930	COMPRESSOR 40000, 208/230/60/1 2 STG (M2)
151	ZPS51K4EPFV930	COMPRESSOR 52000, 208/230/60/1 2 STG (M3)
161	B1339533	COMPRESSOR GROMMET (QTY 4)
301	0130M00005P	WIRE HARNESS, COMPRESSOR SOLENOID
NS	B1488806S	COMPRESSOR SOUND BLANKET

Expanded Model Nomenclature

M1 - ASX180361AB
M2 - ASX180481AB
M3 - ASX180601AB

# Cabinet Top/Side Panels



# Cabinet Top/Side Panels

Ref Part No:	Description:	Ref. Part No: No:	Description:
-----------------	--------------	----------------------	--------------

---

Image 1:

11	0121R00013PDG	PANEL, VENTURI 35"
21	0152R00009	WIRE GRILL 35"
31	0131M00072S	MOTOR, 1/3 HP ECM 142
41	B1393530	SCREW, HWH, 10X1/2, A, YZD, SLOT, SR (QTY 6)
51	0150M00010	FAN BLADE 26" ALUM CCW (3 BLADE)
101	0121R00003	BRACKET, MOTOR MOUNT
111	4400464PLG	PANEL, LOUVER SIDE HORIZONTAL
121	4400466PLG	PANEL, LOUVER SIDE HORIZONTAL (QTY 2)
131	4400468PLG	PANEL, LOUVER SIDE HORIZONTAL
161	0161R00008P	CAP, AMANA LOGO

Expanded Model Nomenclature

- M1 - ASX180361AB
- M2 - ASX180481AB
- M3 - ASX180601AB