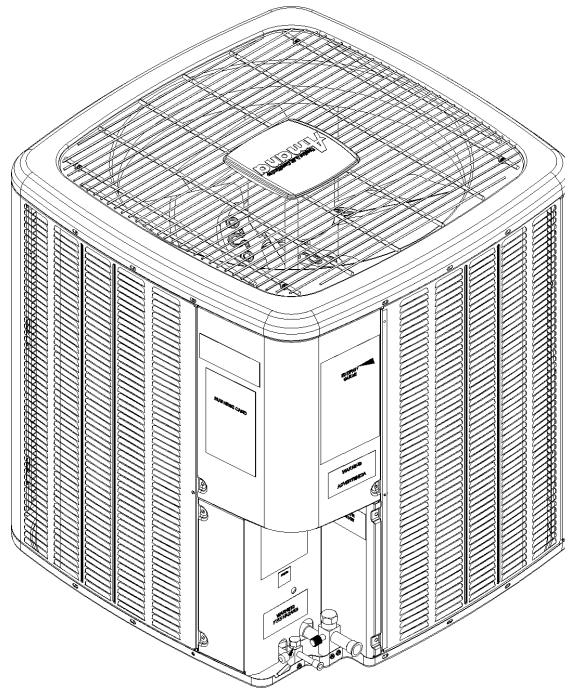


ASX 14 SEER R410A Remote Condensing Unit

ASX140181AA
ASX140181AB
ASX140181AC
ASX140181AD
ASX140241AA
ASX140241AB
ASX140241AC
ASX140241AD
ASX140301AA
ASX140301AB
ASX140301AC
ASX140301AD
ASX140361AA
ASX140361AB
ASX140361AC
ASX140361AD
ASX140421AA
ASX140421AB
ASX140421AC
ASX140421AD
ASX140421BA
ASX140481AA
ASX140481AB
ASX140481AC
ASX140481AD
ASX140601AA
ASX140601AB
ASX140601AC
ASX140601AD



Important Information

Index

Functional Parts List	3
Illustration and Parts	6 - 11

Views shown are for parts illustrations only, not servicing procedures

This system uses R410A refrigerant. If sealed system work is required, use approved equipment and follow service procedures. Refer to Service Manual or Installation Instructions for service procedures.

Rev. F: Added "BA" model.

Text Codes:

AR - As Required

NA - Not Available

NS - Not Shown

00000000 - See Note

QTY - Quantity Example (QTY 3) (If Quantity not shown, Quantity = 1)

M - Model Example (M1) (If M Code not shown, then part is used on all Models)

Expanded Model Nomenclature:

Example M1 - Model#1 M2 - Model#2 M3 - Model#3

Goodman Company, L.P. is not responsible for personal injury or property damage resulting from improper service. Review all service information before beginning repairs.

Warranty service must be performed by an authorized technician, using authorized factory parts. If service is required after the warranty expires, Goodman Company, L.P. also recommends contacting an authorized technician and using authorized factory parts.

Goodman Company, L.P. reserves the right to discontinue, or change at any time, specifications or designs without notice or without incurring obligations.

For assistance within the U.S.A. contact:

Consumer Affairs Department
Goodman Company, L.P.
7401 Security Way
Houston, Texas 77040
877-254-4729-Telephone
713-863-2382-Facsimile

For assistance outside the U.S.A. contact:

International Division
Goodman Company, L.P.
7401 Security Way
Houston, Texas 77040
713-861-2500-Telephone
713-863-2382-Facsimile

Functional Parts

**Part
No:**

Description:

Part No:	Description:	Part No:	Description:
1362105	ASSY, SERVICE COIL (M21)	B1789849	FLOW CHECK PISTON KIT (M1, M2, M3, M4)
1362112	ASSY, SERVICE COIL (M1, M2, M3, M5, M6, M7)	B1789857	FLOW CHECK PISTON KIT (M5, M6, M7, M8)
1362113	ASSY, SERVICE COIL (M9, M10, M11)	B1789863	FLOW CHECK PISTON KIT (M9, M10, M11, M12)
1362114	ASSY, SERVICE COIL (M13, M14, M15)	B1789888	FLOW CHECK PISTON KIT (M26, M27, M28, M29)
1362110	ASSY, SERVICE COIL (M17, M18, M19, M22, M23, M24)	B1789867	FLOW CHECK PISTON KIT (M13, M14, M15, M16)
1362111	ASSY, SERVICE COIL (M26, M27, M28)	B1789874	FLOW CHECK PISTON KIT (M17, M18, M19, M20, M21)
0201R00138S	ASSY, SERVICE COIL (M4, M8)	B1789879	FLOW CHECK PISTON KIT (M22, M23, M24, M25)
0201R00139S	ASSY, SERVICE COIL (M12)	0159R00000P	HARNESS, COMPRESSOR SCROLL 130 36" (M1, M2, M3, M4, M5, M6, M7, M8)
0201R00140S	ASSY, SERVICE COIL (M16)	20048207	HARNESS, COMPRESSOR SCROLL 130 42" (M9, M10, M11, M12, M13, M14, M15, M16)
1362110	ASSY, SERVICE COIL (M20, M25)	0159R00002P	HARNESS, COMPRESSOR SCROLL 130 46" (M17, M18, M19, M20, M21, M22, M23, M24, M25, M26, M27, M28, M29)
0201R00137S	ASSY, SERVICE COIL (M29)	0130M00011P	LOW AMBIENT THERMOSTAT, SPDT
0161R00008P	CAP, AMANA LOGO	0131M00027	MOTOR 1/12 HP, 2 SP, 8 PL (M1, M2, M3, M4, M5, M6, M7, M8)
B94577200S	CAPACITOR 45/5/370 (M13, M14, M22)	0131M00015PS	MOTOR 1/4 HP, 2 SP, 8 PL (M13, M14, M15, M16, M17, M18, M19, M20, M22, M23, M24, M25, M26, M27, M28, M29)
CAP050300370RS	CAPACITOR 5/30/370V (M1, M2, M3, M4)	0131M00017PS	MOTOR 1/6 HP, 2 SP, 8 PL (M9, M10, M11, M12)
B94575300	CAPACITOR 5/35/370V (M5, M6, M7, M8)	0131M00013PS	MOTOR 1/6 HP, 2 SP, 8 PL (M21)
CAP050400370RS	CAPACITOR 5/40/370V (M9, M10, M11, M12)	0151R00002P	VALVE, SERVICE 3/4" OPEN LEFT (M1, M2, M3, M4, M5, M6, M7, M8, M9, M10, M11, M12)
CAP050450370RS	CAPACITOR 5/45/370V (M15, M16, M17, M18, M19, M20, M21, M23, M24, M25)	B12825171	VALVE, SERVICE 3/8" OPEN
CAP050700370RT	CAPACITOR 5/70/370V (M26, M27, M28, M29)	0151R00003P	VALVE, SERVICE 7/8" OPEN LEFT (M13, M14, M15, M16, M17, M18, M19, M20, M21, M22, M23, M24, M25, M26, M27, M28, M29)
0130M00006P	COMFORT ALERT MODULE		
ZP16K5EPFV830	COMPRESSOR 15500, 208/230/60/1 (M1, M2, M3, M4)		
ZP20K5EPFV830	COMPRESSOR 20000, 208/230/60/1 (M5, M6, M7, M8)		
ZP24K5EPFV830	COMPRESSOR 24000, 208/230/60/1 (M9, M10, M11, M12)		
ZP29K5EPFV830	COMPRESSOR 29000, 208/230/60/1 (M13, M14, M15, M16)		
ZP34K5EPFV830	COMPRESSOR 34500, 208/230/60/1 (M17, M18, M19, M20, M21)		
ZP38K5EPFV830	COMPRESSOR 37500, 208/230/60/1 (M22, M23, M24, M25)		
ZP51K5EPFV830	COMPRESSOR 51000, 208/230/60/1 (M26, M27, M28, M29)		
B1488806S	COMPRESSOR SOUND BLANKET (M17, M18, M19, M20, M21, M22, M23, M24, M25, M26, M27, M28, M29)		
B1488807S	COMPRESSOR SOUND BLANKET (M1, M2, M3, M4, M5, M6, M7, M8, M9, M10, M11, M12, M13, M14, M15, M16)		
B1360321	CONTACTOR 25 AMP, 125 LRA, 277V, 1P (M1, M2, M3, M4, M5, M6, M7, M8, M9, M10, M11, M12, M13, M14, M15, M16, M17, M18, M19, M20, M21)		
CONT1P030024VS	CONTACTOR 30 AMP, 150 LRA, 277V (M22, M23, M24, M25, M26, M27, M28, M29)		
20322603	CUTOUT SWITCH, HIGH PRESSURE		
20340402	CUTOUT SWITCH, LOW PRESSURE		
B5134711	FILTER DRIER		

Functional Parts

Part

No: **Description:**

SPECIAL PARTS

IO-258D	INSTALLATION INSTRUCTIONS
0161R00010P	NAMEPLATE, AMANA (HORIZONTAL) (M3, M4, M7, M8, M11, M12, M15, M16, M19, M20, M21, M24, M25, M28, M29)
0161R00014	NAMEPLATE, AMANA (VERTICAL) (M1, M2, M5, M6, M9, M10, M13, M14, M17, M18, M22, M23, M26, M27)
RP-390F	REPAIR PARTS MANUAL

Expanded Model Nomenclature

M1 - ASX140181AA
M2 - ASX140181AB
M3 - ASX140181AC
M4 - ASX140181AD
M5 - ASX140241AA
M6 - ASX140241AB
M7 - ASX140241AC
M8 - ASX140241AD
M9 - ASX140301AA
M10 - ASX140301AB
M11 - ASX140301AC
M12 - ASX140301AD
M13 - ASX140361AA
M14 - ASX140361AB
M15 - ASX140361AC
M16 - ASX140361AD
M17 - ASX140421AA
M18 - ASX140421AB
M19 - ASX140421AC
M20 - ASX140421AD
M21 - ASX140421BA
M22 - ASX140481AA
M23 - ASX140481AB
M24 - ASX140481AC
M25 - ASX140481AD
M26 - ASX140601AA
M27 - ASX140601AB
M28 - ASX140601AC
M29 - ASX140601AD

THIS PAGE INTENTIONALLY LEFT BLANK

Control Cover / Control Box

Ref Part No:	Description:	Ref. Part No:	Description:
<i>Image 1:</i>		Expanded Model Nomenclature	
11	4400201PDG ACCESS PANEL, LOWER (M1, M2, M3, M4, M5, M6, M7, M8, M9, M10, M11, M12)	M1 - ASX140181AA	
11	4400202PDG ACCESS PANEL, LOWER (M13, M14, M15, M16)	M2 - ASX140181AB	
11	4400205PDG ACCESS PANEL, LOWER (M17, M18, M19, M20, M21, M22, M23, M24, M25, M26, M27, M28, M29)	M3 - ASX140181AC	
21	0121R00053PDG CONTROL COVER, SML	M4 - ASX140181AD	
71	B1360321 CONTACTOR 25 AMP, 125 LRA, 277V, 1P (M1, M2, M3, M4, M5, M6, M7, M8, M9, M10, M11, M12, M13, M14, M15, M16, M17, M18, M19, M20, M21)	M5 - ASX140241AA	
71	CONT1P030024VS CONTACTOR 30 AMP, 150 LRA, 277V (M22, M23, M24, M25, M26, M27, M28, M29)	M6 - ASX140241AB	
81	B94577200S CAPACITOR 45/5/370 (M13, M14, M22)	M7 - ASX140241AC	
81	CAP050300370RS CAPACITOR 5/30/370V (M1, M2, M3, M4)	M8 - ASX140241AD	
81	B94575300 CAPACITOR 5/35/370V (M5, M6, M7, M8)	M9 - ASX140301AA	
81	CAP050400370RS CAPACITOR 5/40/370V (M9, M10, M11, M12)	M10 - ASX140301AB	
81	CAP050450370RS CAPACITOR 5/45/370V (M15, M16, M17, M18, M19, M20, M21, M23, M24, M25)	M11 - ASX140301AC	
81	CAP050700370RT CAPACITOR 5/70/370V (M26, M27, M28, M29)	M12 - ASX140301AD	
91	4400065 CAPACITOR STRAP	M13 - ASX140361AA	
101	0130M00006P COMFORT ALERT MODULE	M14 - ASX140361AB	
111	0130M00011P LOW AMBIENT THERMOSTAT, SPDT	M15 - ASX140361AC	
NS	0161R00010P NAMEPLATE, AMANA (HORIZONTAL) (M3, M4, M7, M8, M11, M12, M15, M16, M19, M20, M21, M24, M25, M28, M29)	M16 - ASX140361AD	
NS	0161R00014 NAMEPLATE, AMANA (VERTICAL) (M1, M2, M5, M6, M9, M10, M13, M14, M17, M18, M22, M23, M26, M27)	M17 - ASX140421AA	
		M18 - ASX140421AB	
		M19 - ASX140421AC	
		M20 - ASX140421AD	
		M21 - ASX140421BA	
		M22 - ASX140481AA	
		M23 - ASX140481AB	
		M24 - ASX140481AC	
		M25 - ASX140481AD	
		M26 - ASX140601AA	
		M27 - ASX140601AB	
		M28 - ASX140601AC	
		M29 - ASX140601AD	

Compressor / Tubing Assembly

Image 1

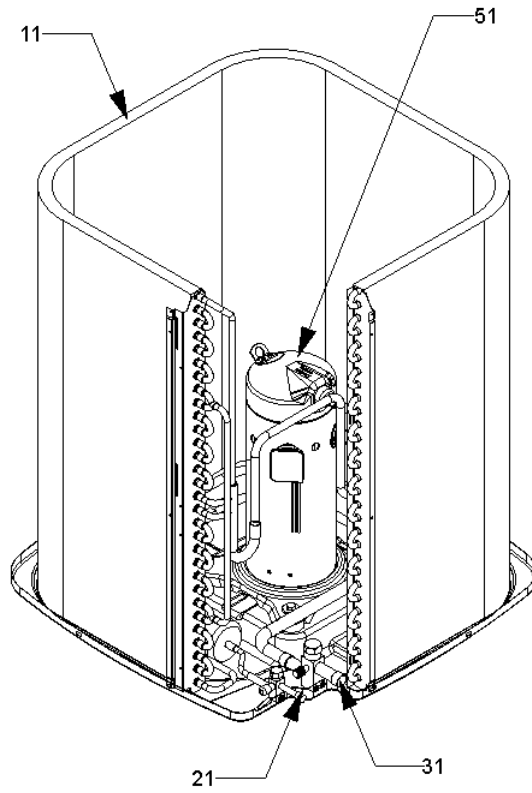


Image 2

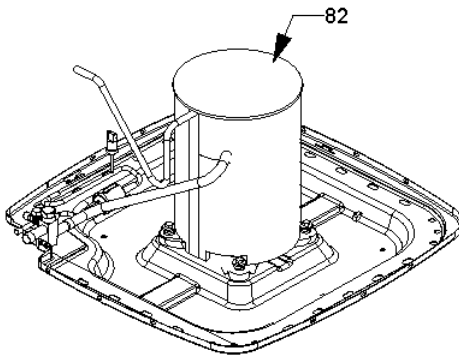
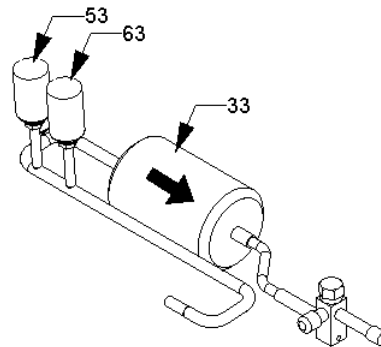


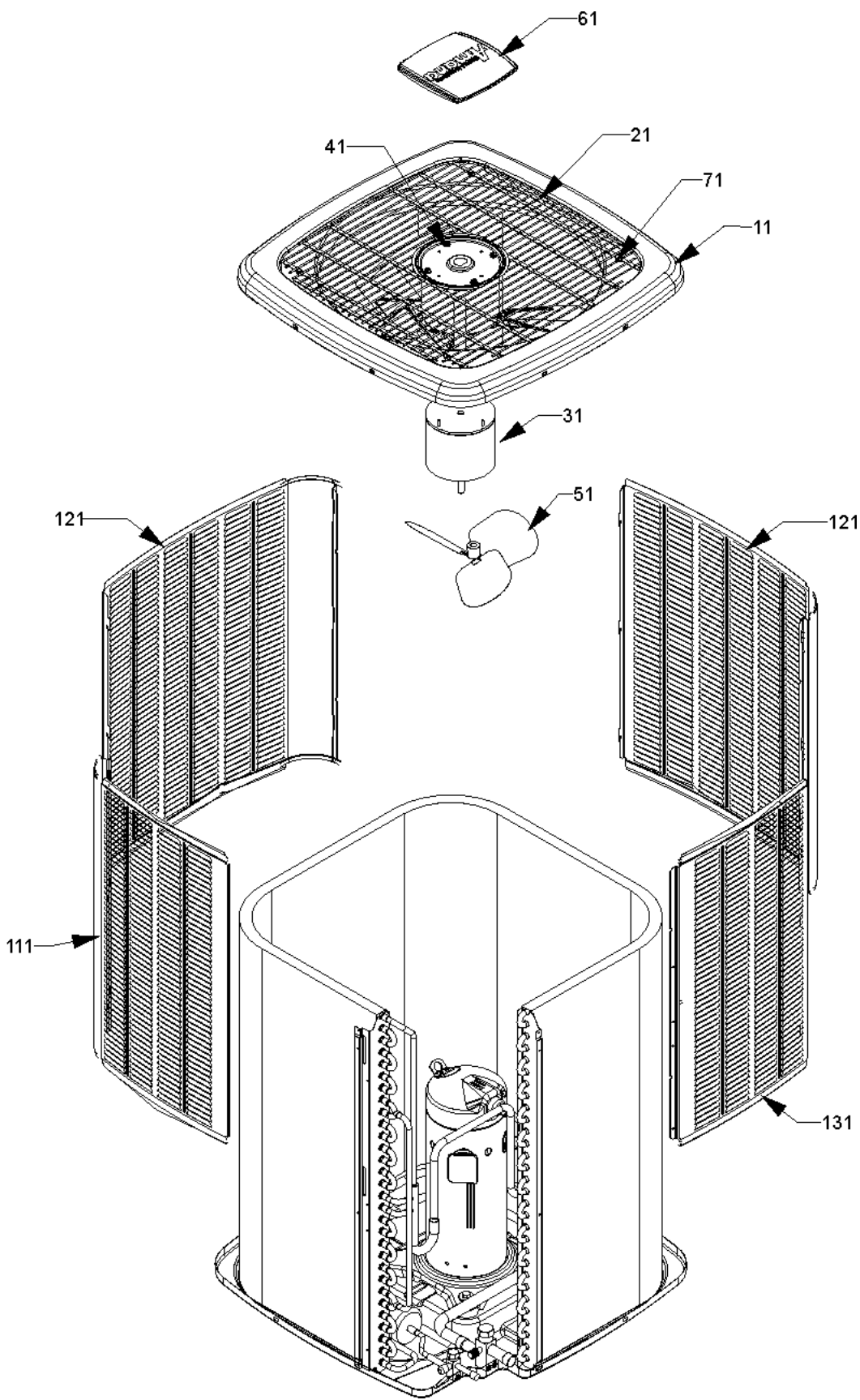
Image 3



Compressor / Tubing Assembly

Ref Part No:	Description:	Ref. Part No:	Description:		
<i>Image 1:</i>		42	0121R00006PDG BASE PAN 29" (M9, M10, M11, M12, M13, M14, M15, M16, M21)		
11	0201R00137S ASSY, SERVICE COIL (M29)	42	0121R00007PDG BASE PAN 35" (M17, M18, M19, M20, M22, M23, M24, M25, M26, M27, M28, M29)		
11	0201R00138S ASSY, SERVICE COIL (M4, M8)	82	B1488806S COMPRESSOR SOUND BLANKET (M17, M18, M19, M20, M21, M22, M23, M24, M25, M26, M27, M28, M29)		
11	0201R00139S ASSY, SERVICE COIL (M12)	82	B1488807S COMPRESSOR SOUND BLANKET (M1, M2, M3, M4, M5, M6, M7, M8, M9, M10, M11, M12, M13, M14, M15, M16)		
11	0201R00140S ASSY, SERVICE COIL (M16)				
11	1362105 ASSY, SERVICE COIL (M21)	<i>Image 3:</i>			
11	1362110 ASSY, SERVICE COIL (M20, M25)	33	B5134711 FILTER DRIER		
11	1362110 ASSY, SERVICE COIL (M17, M18, M19, M22, M23, M24)	53	20340402 CUTOUT SWITCH, LOW PRESSURE		
11	1362111 ASSY, SERVICE COIL (M26, M27, M28)	63	20322603 CUTOUT SWITCH, HIGH PRESSURE		
11	1362112 ASSY, SERVICE COIL (M1, M2, M3, M5, M6, M7)	Expanded Model Nomenclature			
11	1362113 ASSY, SERVICE COIL (M9, M10, M11)	<div style="border: 1px solid black; padding: 5px;"> M1 - ASX140181AA M2 - ASX140181AB M3 - ASX140181AC M4 - ASX140181AD M5 - ASX140241AA M6 - ASX140241AB M7 - ASX140241AC M8 - ASX140241AD M9 - ASX140301AA M10 - ASX140301AB M11 - ASX140301AC M12 - ASX140301AD M13 - ASX140361AA M14 - ASX140361AB M15 - ASX140361AC M16 - ASX140361AD M17 - ASX140421AA M18 - ASX140421AB M19 - ASX140421AC M20 - ASX140421AD M21 - ASX140421BA M22 - ASX140481AA M23 - ASX140481AB M24 - ASX140481AC M25 - ASX140481AD M26 - ASX140601AA M27 - ASX140601AB M28 - ASX140601AC M29 - ASX140601AD </div>			
11	1362114 ASSY, SERVICE COIL (M13, M14, M15)				
21	B12825171 VALVE, SERVICE 3/8" OPEN				
31	0151R00002P VALVE, SERVICE 3/4" OPEN LEFT (M1, M2, M3, M4, M5, M6, M7, M8, M9, M10, M11, M12)				
31	0151R00003P VALVE, SERVICE 7/8" OPEN LEFT (M13, M14, M15, M16, M17, M18, M19, M20, M21, M22, M23, M24, M25, M26, M27, M28, M29)				
51	ZP16K5EPFV830 COMPRESSOR 15500, 208/230/60/1 (M1, M2, M3, M4)				
51	ZP20K5EPFV830 COMPRESSOR 20000, 208/230/60/1 (M5, M6, M7, M8)				
51	ZP24K5EPFV830 COMPRESSOR 24000, 208/230/60/1 (M9, M10, M11, M12)				
51	ZP29K5EPFV830 COMPRESSOR 29000, 208/230/60/1 (M13, M14, M15, M16)				
51	ZP34K5EPFV830 COMPRESSOR 34500, 208/230/60/1 (M17, M18, M19, M20, M21)				
51	ZP38K5EPFV830 COMPRESSOR 37500, 208/230/60/1 (M22, M23, M24, M25)				
51	ZP51K5EPFV830 COMPRESSOR 51000, 208/230/60/1 (M26, M27, M28, M29)				
NS	B1339533 COMPRESSOR GROMMET (QTY 4)				
NS	B1789849 FLOW CHECK PISTON KIT (M1, M2, M3, M4)				
NS	B1789857 FLOW CHECK PISTON KIT (M5, M6, M7, M8)				
NS	B1789863 FLOW CHECK PISTON KIT (M9, M10, M11, M12)				
NS	B1789867 FLOW CHECK PISTON KIT (M13, M14, M15, M16)				
NS	B1789874 FLOW CHECK PISTON KIT (M17, M18, M19, M20, M21)				
NS	B1789879 FLOW CHECK PISTON KIT (M22, M23, M24, M25)				
NS	B1789888 FLOW CHECK PISTON KIT (M26, M27, M28, M29)				
NS	0159R00000P HARNESS, COMPRESSOR SCROLL 130 36" (M1, M2, M3, M4, M5, M6, M7, M8)				
NS	20048207 HARNESS, COMPRESSOR SCROLL 130 42" (M9, M10, M11, M12, M13, M14, M15, M16)				
NS	0159R00002P HARNESS, COMPRESSOR SCROLL 130 46" (M17, M18, M19, M20, M21, M22, M23, M24, M25, M26, M27, M28, M29)				
NS	M0221641 SCREW-SHOULDER TF (QTY 4)				
<i>Image 2:</i>					
42	0121R00005PDG BASE PAN 26" (M1, M2, M3, M4, M5, M6, M7, M8)				

Cabinet Top / Side Panels



Cabinet Top / Side Panels

Ref Part No:	Description:	Ref. Part No:	Description:
<i>Image 1:</i>		121 0121R00047PLG	PANEL, LOUVER SIDE VERTICAL (M17, M18, M22, M23, M26, M27)
11 0121R00009PDG	VENTURI TOP PANEL 26" (M1, M2, M3, M4, M5, M6, M7, M8)	131 4400412PLG	PANEL, LOUVER SIDE HORIZONTAL (M3, M4, M7, M8)
11 0121R00011PDG	VENTURI TOP PANEL 29" (M9, M10, M11, M12, M13, M14, M15, M16, M21)	131 4400431PLG	PANEL, LOUVER SIDE HORIZONTAL (M11, M12)
11 0121R00013PDG	VENTURI TOP PANEL 35" (M17, M18, M19, M20, M22, M23, M24, M25, M26, M27, M28, M29)	131 4400461PLG	PANEL, LOUVER SIDE HORIZONTAL (M15, M16)
21 0152R00000P	WIRE GRILL 26" TOP (M1, M2, M3, M4, M5, M6, M7, M8)	131 4400462PLG	PANEL, LOUVER SIDE HORIZONTAL (M21)
21 0152R00008	WIRE GRILL 29" TOP (M9, M10, M11, M12, M13, M14, M15, M16)	131 4400468PLG	PANEL, LOUVER SIDE HORIZONTAL (M19, M20, M24, M25, M28, M29)
21 0152R00002P	WIRE GRILL 35" TOP (M17, M18, M19, M20, M22, M23, M24, M25, M26, M27, M28, M29)	131 0121R00021PLG	PANEL, LOUVER SIDE VERTICAL (M1, M2, M5, M6)
31 0131M00027	MOTOR 1/12 HP, 2 SP, 8 PL (M1, M2, M3, M4, M5, M6, M7, M8)	131 0121R00036PLG	PANEL, LOUVER SIDE VERTICAL (M9, M10)
31 0131M00015PS	MOTOR 1/4 HP, 2 SP, 8 PL (M13, M14, M15, M16, M17, M18, M19, M20, M22, M23, M24, M25, M26, M27, M28, M29)	131 0121R00037PLG	PANEL, LOUVER SIDE VERTICAL (M13, M14)
31 0131M00013PS	MOTOR 1/6 HP, 2 SP, 8 PL (M21)	131 0121R00051PLG	PANEL, LOUVER SIDE VERTICAL (M17, M18, M22, M23, M26, M27)
31 0131M00017PS	MOTOR 1/6 HP, 2 SP, 8 PL (M9, M10, M11, M12)	NS 0161R00000P	CONDUIT (M1, M2, M3, M4, M5, M6, M7, M8)
41 M0280801	HEX NUT (QTY 4)	NS 0161R00002P	CONDUIT (M9, M10, M11, M12, M13, M14, M15, M16, M21)
51 0150M00009S	FAN BLADE 20" (M1, M2, M3, M4, M5, M6, M7, M8)	NS 0161R00004P	CONDUIT (M17, M18, M19, M20, M22, M23, M24, M25, M26, M27, M28, M29)
51 10625733	FAN BLADE 22" ALUM CCW (M21)	Expanded Model Nomenclature	
51 0150M00008S	FAN BLADE 22" TNT2203-25 (M11, M12, M15, M16)	M1 - ASX140181AA	
51 10625738S	FAN BLADE 26" ALUM CCW (M17, M18, M19, M20, M22, M23, M24, M25, M26, M27, M28, M29)	M2 - ASX140181AB	
51 B1086764S	FAN BLADE TYPE 2 (M9, M10, M13, M14)	M3 - ASX140181AC	
61 0161R00008P	CAP, AMANA LOGO	M4 - ASX140181AD	
71 B1393530	SCREW, HWH, 10 X 1/2, A, YZD, SLOT, SR (QTY 6)	M5 - ASX140241AA	
111 4400402PLG	PANEL, LOUVER SIDE HORIZONTAL (M3, M4, M7, M8)	M6 - ASX140241AB	
111 4400417PLG	PANEL, LOUVER SIDE HORIZONTAL (M11, M12)	M7 - ASX140241AC	
111 4400457PLG	PANEL, LOUVER SIDE HORIZONTAL (M15, M16)	M8 - ASX140241AD	
111 4400458PLG	PANEL, LOUVER SIDE HORIZONTAL (M21)	M9 - ASX140301AA	
111 4400464PLG	PANEL, LOUVER SIDE HORIZONTAL (M19, M20, M24, M25, M28, M29)	M10 - ASX140301AB	
111 0121R00015PLG	PANEL, LOUVER SIDE VERTICAL (M1, M2, M5, M6)	M11 - ASX140301AC	
111 0121R00024PLG	PANEL, LOUVER SIDE VERTICAL (M9, M10)	M12 - ASX140301AD	
111 0121R00025PLG	PANEL, LOUVER SIDE VERTICAL (M13, M14)	M13 - ASX140361AA	
111 0121R00043PLG	PANEL, LOUVER SIDE VERTICAL (M17, M18, M22, M23, M26, M27)	M14 - ASX140361AB	
121 4400407PLG	PANEL, LOUVER SIDE HORIZONTAL (M3, M4, M7, M8)	M15 - ASX140361AC	
121 4400424PLG	PANEL, LOUVER SIDE HORIZONTAL (M11, M12)	M16 - ASX140361AD	
121 4400459PLG	PANEL, LOUVER SIDE HORIZONTAL (M15, M16)	M17 - ASX140421AA	
121 4400460PLG	PANEL, LOUVER SIDE HORIZONTAL (M21)	M18 - ASX140421AB	
121 4400466PLG	PANEL, LOUVER SIDE HORIZONTAL (M19, M20, M24, M25, M28, M29)	M19 - ASX140421AC	
121 0121R00018PLG	PANEL, LOUVER SIDE VERTICAL (M1, M2, M5, M6)	M20 - ASX140421AD	
121 0121R00030PLG	PANEL, LOUVER SIDE VERTICAL (M9, M10)	M21 - ASX140421BA	
121 0121R00031PLG	PANEL, LOUVER SIDE VERTICAL (M13, M14)	M22 - ASX140481AA	
		M23 - ASX140481AB	
		M24 - ASX140481AC	
		M25 - ASX140481AD	
		M26 - ASX140601AA	
		M27 - ASX140601AB	
		M28 - ASX140601AC	
		M29 - ASX140601AD	