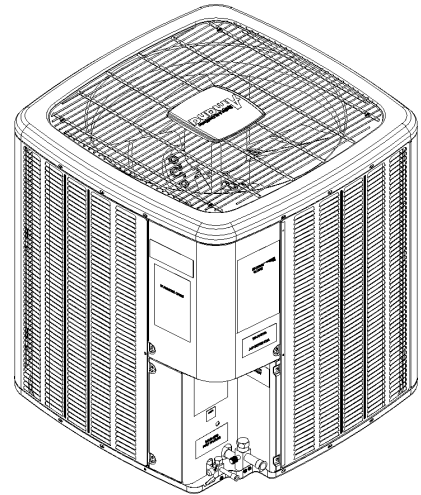


## ASX14 Remote Condensing Unit

ASX140181KB  
ASX140191KC  
ASX140241LB  
ASX140251LB  
ASX140361KD  
ASX140361KE  
ASX140371KD  
ASX140421KD  
ASX140431KD  
ASX140481KC  
ASX140601KC



Amana® is a registered trademark of Maytag Corporation or its related companies and is used under license. All rights reserved.

This manual is to be used by qualified technicians only.

This manual replaces RP-A4311B.

© 2016 - 2017, 2020 Goodman Company, L.P. ♦ 5151 San Felipe St, Suite 500 ♦ Houston, TX 77056

# Important Information

---

## Index

Functional Parts List .....	3
Illustration and Parts .....	4 - 9

*Views shown are for parts illustrations only, not servicing procedures*

### Text Codes:

- AR - As Required
- NA - Not Available
- NS - Not Shown
- 00000000 - See Note
- QTY - Quantity Example (QTY 3) (If Quantity not shown, Quantity = 1)
- M - Model Example (M1) (If M Code not shown, then part is used on all Models)

### Expanded Model Nomenclature:

Example M1 - Model#1 M2 - Model#2 M3 - Model#3
---

Goodman Company, L.P. is not responsible for personal injury or property damage resulting from improper service. Review all service information before beginning repairs.

Warranty service must be performed by an authorized technician, using authorized factory parts. If service is required after the warranty expires, Goodman Company, L.P. also recommends contacting an authorized technician and using authorized factory parts.

Goodman Company, L.P. reserves the right to discontinue, or change at any time, specifications or designs without notice or without incurring obligations.

For assistance within the U.S.A. contact:  
Homeowner Support  
Goodman Company, L.P.  
19001 Kermier Road  
Waller, Texas 77484  
877-254-4729-Telephone  
713-863-2382-Facsimile

For assistance outside the U.S.A. contact:  
International Division  
Goodman Company, L.P.  
19001 Kermier Road  
Waller, Texas 77484  
713-861-2500-Telephone  
713-863-2382-Facsimile

# Functional Parts

## Part

## No: Description:

---

0131M00811	1/8 HP 8 PL PSC MOTOR (M1, M2, M3, M4)
0151R00185	BASE VALVE 3/4" (M1, M2, M3, M4, M5, M6, M7)
0151R00187	BASE VALVE 3/8"
0151R00186	BASE VALVE 7/8" (M8, M9, M10, M11)
0150M00012	BLADE-FAN 20" CCW (M2, M3, M4)
CAP050300440CS	CAP,5/30MFD/440V/DUAL RD (M1, M2)
CAP050350440CS	CAPACITOR 5/35/440V (M3, M4)
CAP050450440CT	CAPACITOR 5/45/440V/DUAL RD (M5, M6, M7, M8, M9, M10)
CAP050700440CT	CAPACITOR 5/70/440V/DUAL RD (M11)
ZP14K6EPFV120	COMP, 20200, 208/230/60/1 (M2)
ZP29K6EPFV120	COMP, 39700, 208/230/60/1 (M6, M7)
ZP16K5EPFV130	COMP, 15500, 208/230/60/1 (M1)
ZP20K5EPFV130	COMP, 20000, 208/230/60/1 (M3, M4)
ZP29K5EPFV130	COMP, 29000, 208/230/60/1 (M5)
ZP31K5EPFV130	COMP, 31100, 208/230/60/1 (M8, M9)
ZP38K5EPFV130	COMP, 37500, 208/230/60/1 (M10)
ZP49K5EPFV130	COMP, 49400, 208/230/60/1 (M11)
CONT1P025024V	CONTACTOR 25 AMP, 1P, 24V (M1, M2, M3, M4, M5, M6, M7, M8, M9)
CONT1P030024V	CONTACTOR 30 AMP, 1P, 24V (M10, M11)
571006600	CoreSense Module
0130R00056	CUT-OUT SWITCH, HIGH PRESSURE
0150M00018	FAN BLADE 20" (M1)
0150M00008	FAN BLADE, 22" TNT2203-25 (M5, M6, M7, M8, M9)
0150M00054	FAN BLADE, 26" (M10, M11)
0130M00082	LOW PRESSURE SWITCH
0131M00807	MOTOR, 1/4HP, 1SP, 8PL, AL (M10, M11)
0131M00753	MOTOR, 1/6HP, 1SP, 8PL, AL (M5, M6, M7, M8, M9)

### SPECIAL PARTS

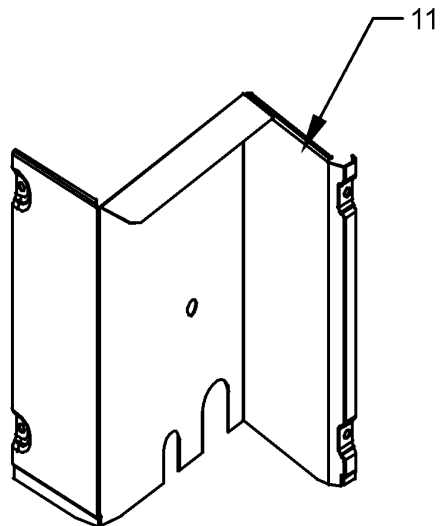
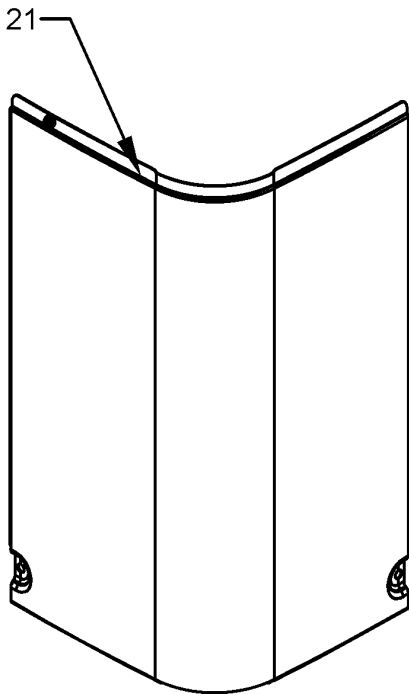
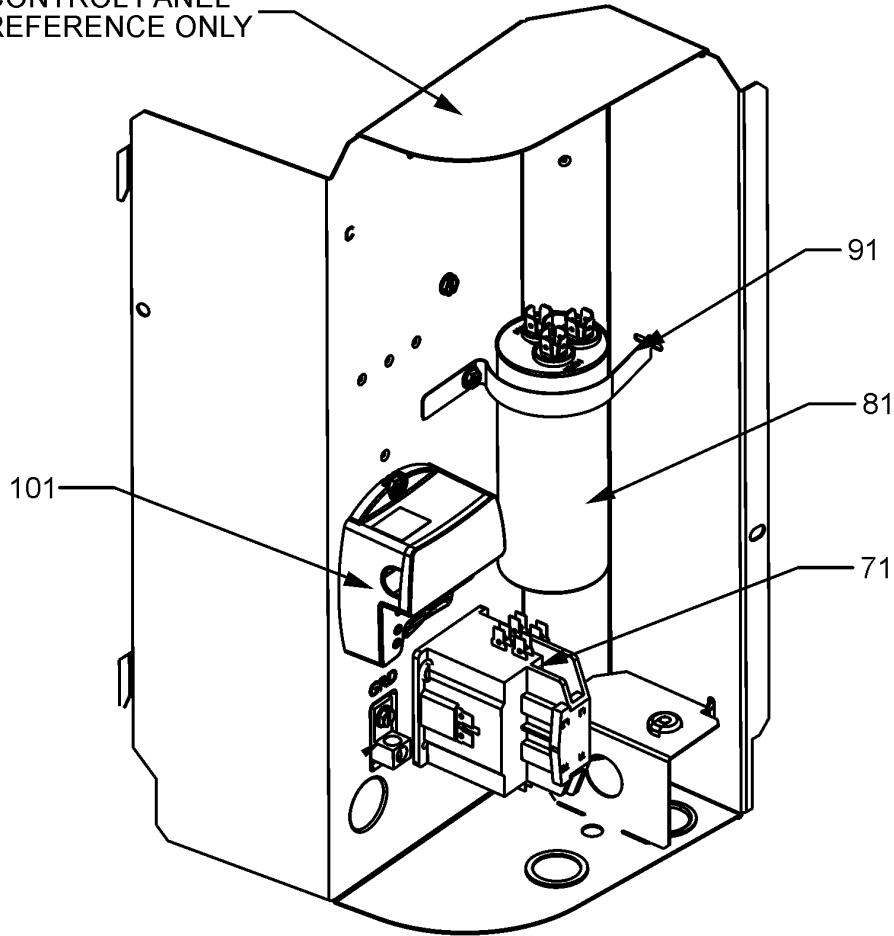
0161R00086	CAP, GRILL
0161R00087	NAMEPLATE, AMANA LOGO

### Expanded Model Nomenclature

M1 - ASX140181KB
M2 - ASX140191KC
M3 - ASX140241LB
M4 - ASX140251LB
M5 - ASX140361KD
M6 - ASX140361KE
M7 - ASX140371KD
M8 - ASX140421KD
M9 - ASX140431KD
M10 - ASX140481KC
M11 - ASX140601KC

# Control Panel Assembly

CONTROL PANEL  
REFERENCE ONLY



# Control Panel Assembly

Ref. Part No:	Ref. Part No:	Description:	Description:
---------------	---------------	--------------	--------------

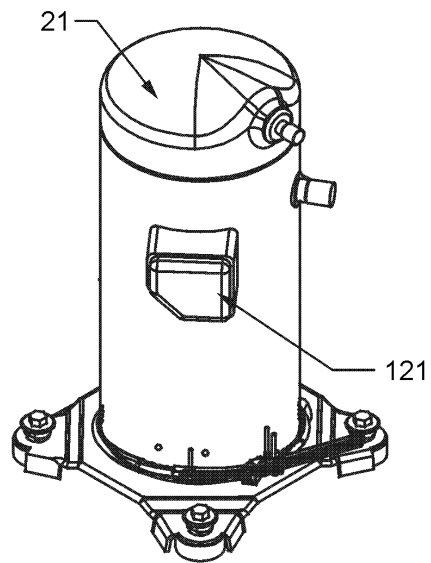
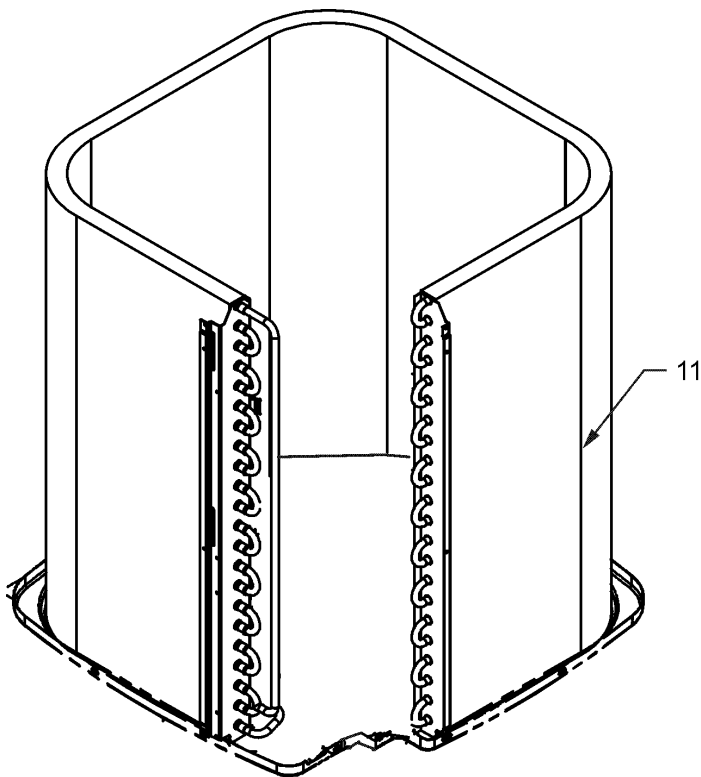
**Image 1:**

11	0121R00316PDG	LOWER ACCESS PANEL (M11)
11	0121R00319PDG	LOWER ACCESS PANEL (M8, M9, M10)
11	0121R00326PDG	LOWER ACCESS PANEL (M1, M2)
11	0121R00663PDG	LOWER ACCESS PANEL (M3, M4, M5, M6, M7)
21	0121R00053PDG	CONTROL COVER
71	CONT1P025024V	CONTACTOR 25 AMP, 1P, 24V (M1, M2, M3, M4, M5, M6, M7, M8, M9)
71	CONT1P030024V	CONTACTOR 30 AMP, 1P, 24V (M10, M11)
81	CAP050300440CS	CAP,5/30MFD/440V/DUAL RD (M1, M2)
81	CAP050350440CS	CAPACITOR 5/35/440V (M3, M4)
81	CAP050450440CT	CAPACITOR 5/45/440V/DUAL RD (M5, M6, M7, M8, M9, M10)
81	CAP050700440CT	CAPACITOR 5/70/440V/DUAL RD (M11)
91	4400065	CAPACITOR STRAP
101	571006600	CoreSense Module
NS	0161R00087	NAMEPLATE, AMANA LOGO

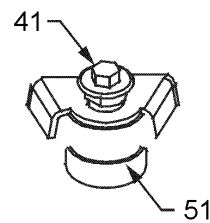
**Expanded Model Nomenclature**

- |                   |
|-------------------|
| M1 - ASX140181KB  |
| M2 - ASX140191KC  |
| M3 - ASX140241LB  |
| M4 - ASX140251LB  |
| M5 - ASX140361KD  |
| M6 - ASX140361KE  |
| M7 - ASX140371KD  |
| M8 - ASX140421KD  |
| M9 - ASX140431KD  |
| M10 - ASX140481KC |
| M11 - ASX140601KC |

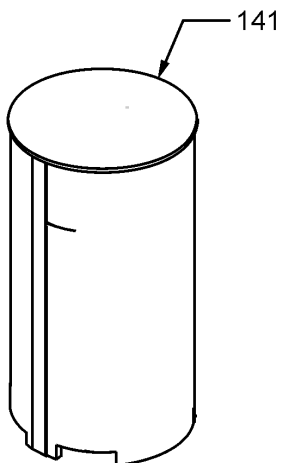
# Compressor and Tubing Assembly



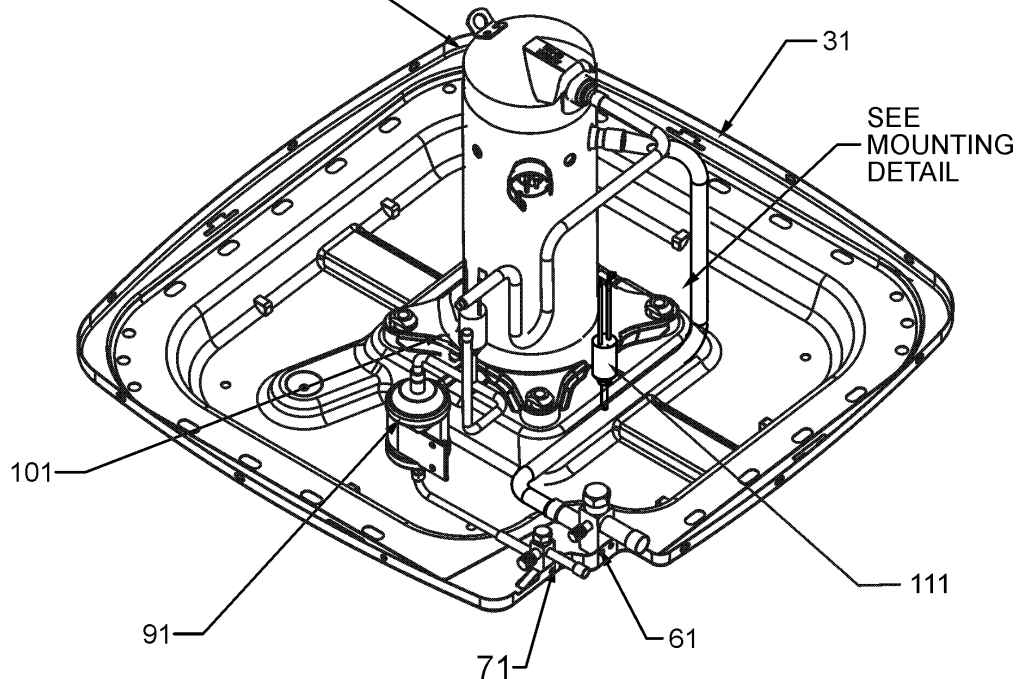
COMPRESSOR DETAIL



MOUNTING DETAIL



SEE COMPRESSOR  
DETAIL

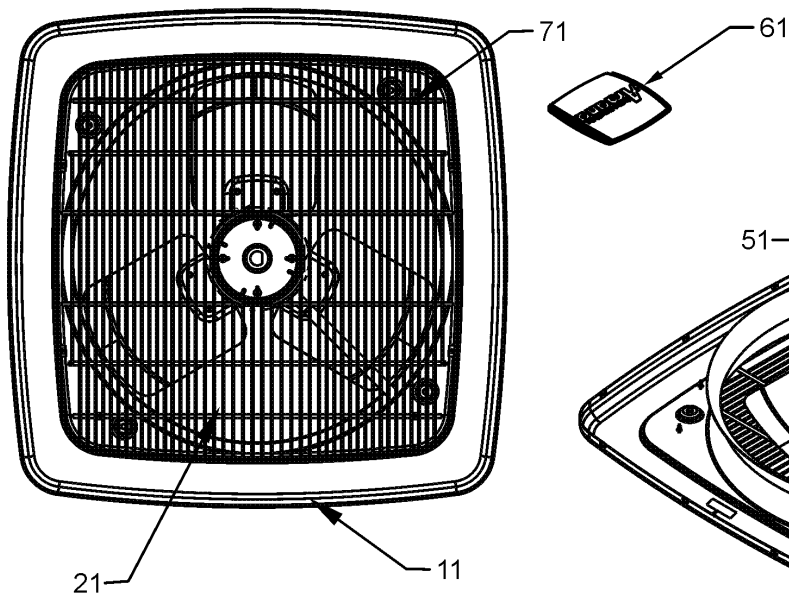


# Compressor and Tubing Assembly

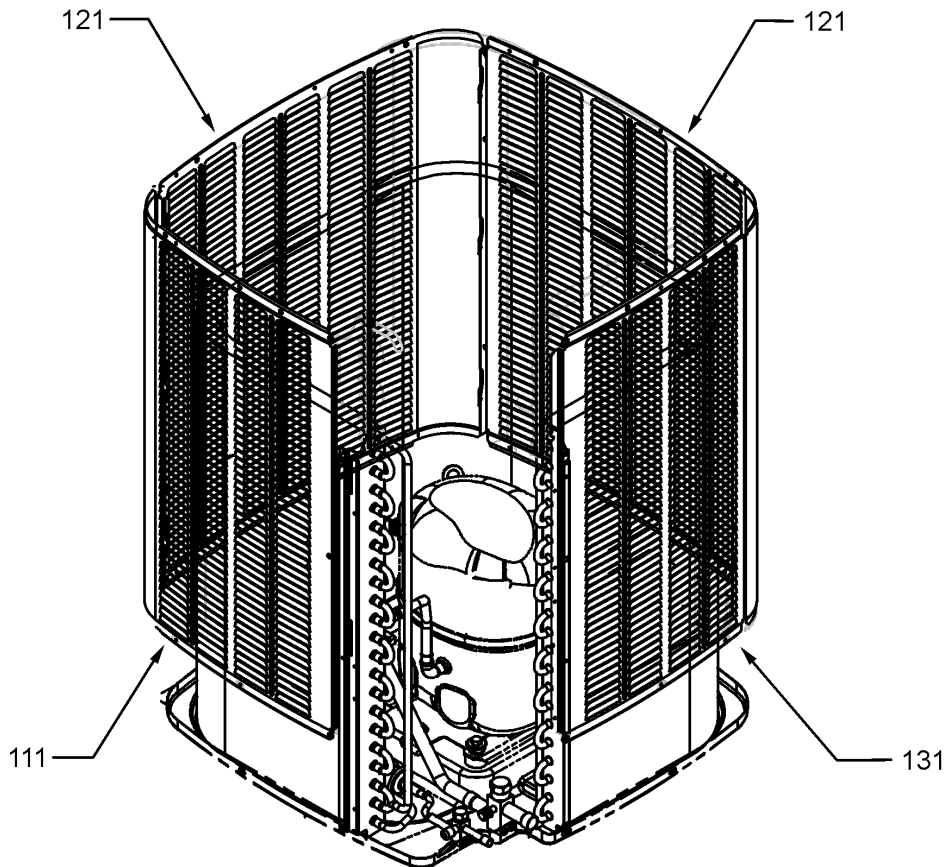
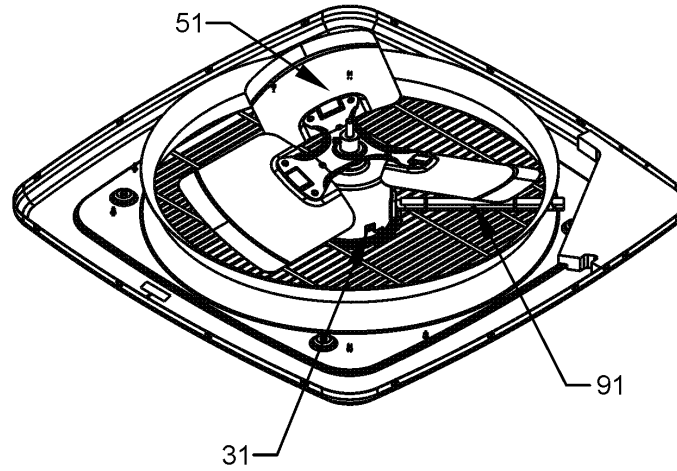
Ref. Part No:	Ref. Part No:	Description:	Description:
<b>Image 1:</b>		<b>Expanded Model Nomenclature</b>	
11	0201R00296	COIL TUBING ASSEMBLY (M6, M7)	M1 - ASX140181KB
11	0201R00385	COIL TUBING ASSY (M10)	M2 - ASX140191KC
11	0201R00433	COIL TUBING ASSY (M11)	M3 - ASX140241LB
11	0201R00521	COIL TUBING ASSY (M1, M2)	M4 - ASX140251LB
11	0201R00566	COIL TUBING ASSY (M8, M9)	M5 - ASX140361KD
11	0201R00666	COIL TUBING ASSY (M3, M4)	M6 - ASX140361KE
11	0201R00279	TUBING ASSY, COND COIL (M5)	M7 - ASX140371KD
21	ZP14K6EPFV120	COMP, 20200, 208/230/60/1 (M2)	M8 - ASX140421KD
21	ZP29K6EPFV120	COMP, 39700, 208/230/60/1 (M6, M7)	M9 - ASX140431KD
21	ZP16K5EPFV130	COMP, 15500, 208/230/60/1 (M1)	M10 - ASX140481KC
21	ZP20K5EPFV130	COMP, 20000, 208/230/60/1 (M3, M4)	M11 - ASX140601KC
21	ZP29K5EPFV130	COMP, 29000, 208/230/60/1 (M5)	
21	ZP31K5EPFV130	COMP, 31100, 208/230/60/1 (M8, M9)	
21	ZP38K5EPFV130	COMP, 37500, 208/230/60/1 (M10)	
21	ZP49K5EPFV130	COMP, 49400, 208/230/60/1 (M11)	
31	0121R00005PDG	BASE PAN 26" (M1, M2, M3, M4)	
31	0121R00006PDG	BASE PAN 29" (M5, M6, M7, M8, M9)	
31	0121R00007PDG	BASE PAN 35" (M10, M11)	
41	M0221641	TF SHOULDER SCREW (QTY 4)	
51	B1339533	COMPRESSOR GROMMET (QTY 4)	
61	0151R00185	BASE VALVE 3/4" (M1, M2, M3, M4, M5, M6, M7)	
61	0151R00186	BASE VALVE 7/8" (M8, M9, M10, M11)	
71	0151R00187	BASE VALVE 3/8"	
91	0162R00009	FILTER DRIER	
101	0130R00056	CUT-OUT SWITCH, HIGH PRESSURE	
111	0130M00082	LOW PRESSURE SWITCH	
121	0159R00000P	HARNESS, COMP SCROLL 130 36" (M1, M2, M3, M4)	
121	0159R00001P	HARNESS, COMP SCROLL 130 42" (M5, M6, M7, M8, M9)	
121	0159R00002P	HARNESS, COMP SCROLL 130 46" (M10)	
121	0159R00017	HARNESS, COMP-SCROLL (M11)	
141	0160M00035	COMPRESSOR BLANKET (M1, M2, M3, M4, M5, M6, M7, M8, M9)	
141	0160M00039	COMPRESSOR BLANKET (M10, M11)	
NS	B1789852	FLOW CHECK PISTON KIT (M1)	
NS	B1789853	FLOW CHECK PISTON KIT (M2)	
NS	B1789868	FLOW CHECK PISTON KIT (M5, M6)	
NS	B1789872	FLOW CHECK PISTON KIT (M7)	
NS	B1789874	FLOW CHECK PISTON KIT (M8, M9)	
NS	B1789878	FLOW CHECK PISTON KIT (M10)	
NS	B1789888	FLOW CHECK PISTON KIT (M11)	
NS	B1789859	KIT, FLOW CHECK PISTON (M3, M4)	

# Top and Louver Panel Assembly

TOP VIEW



BOTTOM VIEW



LOUVER PANEL ASSEMBLY

# Top and Louver Panel Assembly

**Ref. Part  
No: No:**

**Description:**

**Ref. Part  
No: No:**

**Description:**

**Image 1:**

11	0121R00576PDG	TOP PANEL PAINTED, 29" (M5)
11	0121R00009PDG	TOP PANEL, VENTURI 26" PNT (M1, M2, M3, M4)
11	0121R00011PDG	TOP PANEL, VENTURI 29" PNT (M6, M7, M8, M9)
11	0121R00013PDG	TOP PANEL, VENTURI 35" PNT (M10, M11)
21	0152R00010	GRILLE, WIRE 26" TOP (M1, M2, M3, M4)
21	0152R00015	GRILLE, WIRE 29" TOP (M5, M6, M7, M8, M9)
21	0152R00016	GRILLE, WIRE 35" TOP (M10, M11)
31	0131M00811	1/8 HP 8 PL PSC MOTOR (M1, M2, M3, M4)
31	0131M00807	MOTOR, 1/4HP, 1SP, 8PL, AL (M10, M11)
31	0131M00753	MOTOR, 1/6HP, 1SP, 8PL, AL (M5, M6, M7, M8, M9)
51	0150M00012	BLADE-FAN 20" CCW (M2, M3, M4)
51	0150M00018	FAN BLADE 20" (M1)
51	0150M00008	FAN BLADE, 22" TNT2203-25 (M5, M6, M7, M8, M9)
51	0150M00054	FAN BLADE, 26" (M10, M11)
61	0161R00086	CAP, GRILL
71	0163M00003P	SCREW #10 X 1/2, A, SLOT, SR, BLACK (QTY 4)
91	0161R00000P	CONDUIT (M1, M2, M3, M4)
91	0161R00002P	CONDUIT (M5, M6, M7, M8, M9)
91	0161R00004P	CONDUIT (M10, M11)
111	0121R00200PLG	LOUVERED SIDE PANEL [LT OF CNTL PNL] (M5, M6, M7)
111	0121R00202PLG	LOUVERED SIDE PANEL [LT OF CNTL PNL] (M8, M9)
111	0121R00207PLG	LOUVERED SIDE PANEL [LT OF CNTL PNL] (M1, M2)
111	0121R00208PLG	LOUVERED SIDE PANEL [LT OF CNTL PNL] (M3, M4)
111	0121R00239PLG	LOUVERED SIDE PANEL [LT OF CNTL PNL] (M10)
111	0121R00240PLG	LOUVERED SIDE PANEL [LT OF CNTL PNL] (M11)
121	0121R00198PLG	LOUVERED SIDE PANEL (M1, M2)
121	0121R00199PLG	LOUVERED SIDE PANEL (M3, M4)
121	0121R00204PLG	LOUVERED SIDE PANEL (M5, M6, M7)
121	0121R00205PLG	LOUVERED SIDE PANEL (M8, M9)
121	0121R00243PLG	LOUVERED SIDE PANEL (M10)
121	0121R00244PLG	LOUVERED SIDE PANEL (M11)
131	0121R00193PLG	LOUVERED SIDE PANEL [RT OF CNTL PNL] (M5, M6, M7)
131	0121R00194PLG	LOUVERED SIDE PANEL [RT OF CNTL PNL] (M8, M9)
131	0121R00196PLG	LOUVERED SIDE PANEL [RT OF CNTL PNL] (M1, M2)
131	0121R00197PLG	LOUVERED SIDE PANEL [RT OF CNTL PNL] (M3, M4)
131	0121R00247PLG	LOUVERED SIDE PANEL [RT OF CNTL PNL] (M10)
131	0121R00248PLG	LOUVERED SIDE PANEL [RT OF CNTL PNL] (M11)
NS	M0280801	HEX NUT (QTY 4)

**Expanded Model Nomenclature**

M1 - ASX140181KB
M2 - ASX140191KC
M3 - ASX140241LB
M4 - ASX140251LB
M5 - ASX140361KD
M6 - ASX140361KE
M7 - ASX140371KD
M8 - ASX140421KD
M9 - ASX140431KD
M10 - ASX140481KC
M11 - ASX140601KC