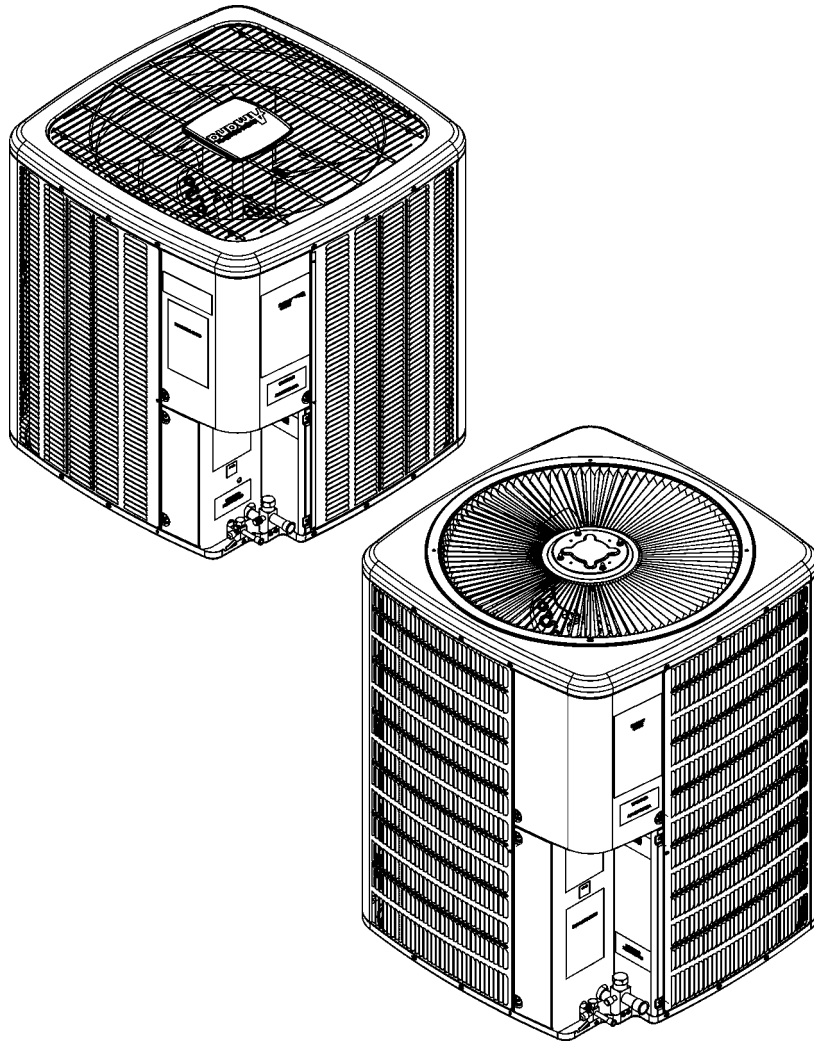


REPAIR PARTS

*SX14 R-410A Remote Condensing Unit

ASX140181BA
ASX140181CA
ASX140241BA
ASX140241CA
ASX140301BA
ASX140301CA
ASX140361BA
ASX140361CA
ASX140421CA
ASX140421DA
ASX140481BA
ASX140481CA
ASX140601BA
SSX140181BA
SSX140241BA
SSX140301BA
SSX140361BA
SSX140421CA
SSX140481BA



This manual is to be used by qualified technicians only.

This manual replaces RP-536E

© 2009-2012 Goodman Manufacturing Company, L.P. ♦ 5151 San Felipe, Suite 500 ♦ Houston, TX 77056

Important Information

Index

Functional Parts List	3
Illustration and Parts	4 - 11

Views shown are for parts illustrations only, not servicing procedures.

Revision F: Added model SSX140481BA.

Text Codes:

AR - As Required

NA - Not Available

NS - Not Shown

00000000 - See Note

QTY - Quantity Example (QTY 3) (If Quantity not shown, Quantity = 1)

M - Model Example (M1) (If M Code not shown, then part is used on all Models)

Expanded Model Nomenclature:

Example
M1 - Model#1
M2 - Model#2
M3 - Model#3

Goodman Manufacturing Company, L.P. is not responsible for personal injury or property damage resulting from improper service. Review all service information before beginning repairs.

Warranty service must be performed by an authorized technician, using authorized factory parts. If service is required after the warranty expires, Goodman Manufacturing Company, L.P. also recommends contacting an authorized technician and using authorized factory parts.

Goodman Manufacturing Company, L.P. reserves the right to discontinue, or change at any time, specifications or designs without notice or without incurring obligations.

For assistance within the U.S.A. contact:
Consumer Affairs Department
Goodman Manufacturing Company, L.P.
7401 Security Way
Houston, Texas 77040
877-254-4729-Telephone
713-863-2382-Facsimile

For assistance outside the U.S.A. contact:
International Division
Goodman Manufacturing Company, L.P.
7401 Security Way
Houston, Texas 77040
713-861-2500-Telephone
713-863-2382-Facsimile

Functional Parts

Part

No: Description:

0161R00009P NAMEPLATE (M15, M16, M17, M18, M19)

CAP050700440RT	CAP, 5/70 MFD/440V/DUAL RD (M14)
CAP050300440RS	CAPACITOR 5/30/370V (M1, M2, M3, M15)
CAP050350440RS	CAPACITOR 5/35/440V (M4, M5, M16)
CAP050400440RT	CAPACITOR 5/40/440V (M6, M7, M17)
CAP050450440RT	CAPACITOR 5/45/440V (M8, M9, M10, M11, M12, M13, M18, M19)
543001001S	COMFORT ALERT MODULE (M1, M2, M3, M4, M5, M6, M7, M8, M9, M10, M11, M12, M13, M14)
ZP16K5EPFV130	COMPRESSOR 15500, 208/230/60/1 (M1, M2, M3, M15)
ZP20K5EPFV130	COMPRESSOR 20000, 208/230/60/1 (M4, M5, M16)
ZP24K5EPFV130	COMPRESSOR 24000, 208/230/60/1 (M6, M7, M17)
ZP29K5EPFV130	COMPRESSOR 29000, 208/230/60/1 (M8, M9, M18)
ZP31K5EPFV130	COMPRESSOR 31100, 208/230/60/1 (M10, M11, M19)
ZP39K5EPFV130	COMPRESSOR 39000, 208/230/60/1 (M12, M13)
ZP51K5EPFV130	COMPRESSOR 51000, 208/230/60/1 (M14)
0131M00019P	COND MOTOR 1/12 HP, 1 SP, 8 PL (M16)
0131M00027	COND MOTOR 1/12 HP, 2 SP, 8 PL (M4, M5)
0131M00015P	COND MOTOR 1/4 HP, 2 SP, 8 PL (M12, M13, M14)
0131M00016P	COND MOTOR 1/6 HP, 1 SP, 8 PL (M17, M18, M19)
0131M00017P	COND MOTOR 1/6 HP, 2 SP, 8 PL (M1, M2, M6, M7, M8, M9, M10, M11)
0131M00061	COND MOTOR, 1/4HP, 1SP, 8PL
CONT2P025024V	CONTACTOR 25 AMP, 2P, 24V (M1, M2, M3, M4, M5, M6, M7, M8, M9, M10, M11, M15, M16, M17, M18, M19)
CONT2P030024V	CONTACTOR 30 AMP, 2P, 24V (M12, M13, M14)
20322603	HIGH PRESSURE SWITCH
0130M00011P	LOW AMBIENT THERMOSTAT, SPDT (M1, M2, M4, M5, M6, M7, M8, M9, M10, M11, M12, M13, M14)
0130R00000	LOW PRESSURE SWITCH (M1, M2, M4, M5, M6, M7, M8, M9, M10, M11, M12, M14, M15, M16, M17, M18, M19)
0130M00082	LOW PRESSURE SWITCH (M13)
0131M00266	MOTOR, 1/8 HP 8 PL PSC (M3, M15)

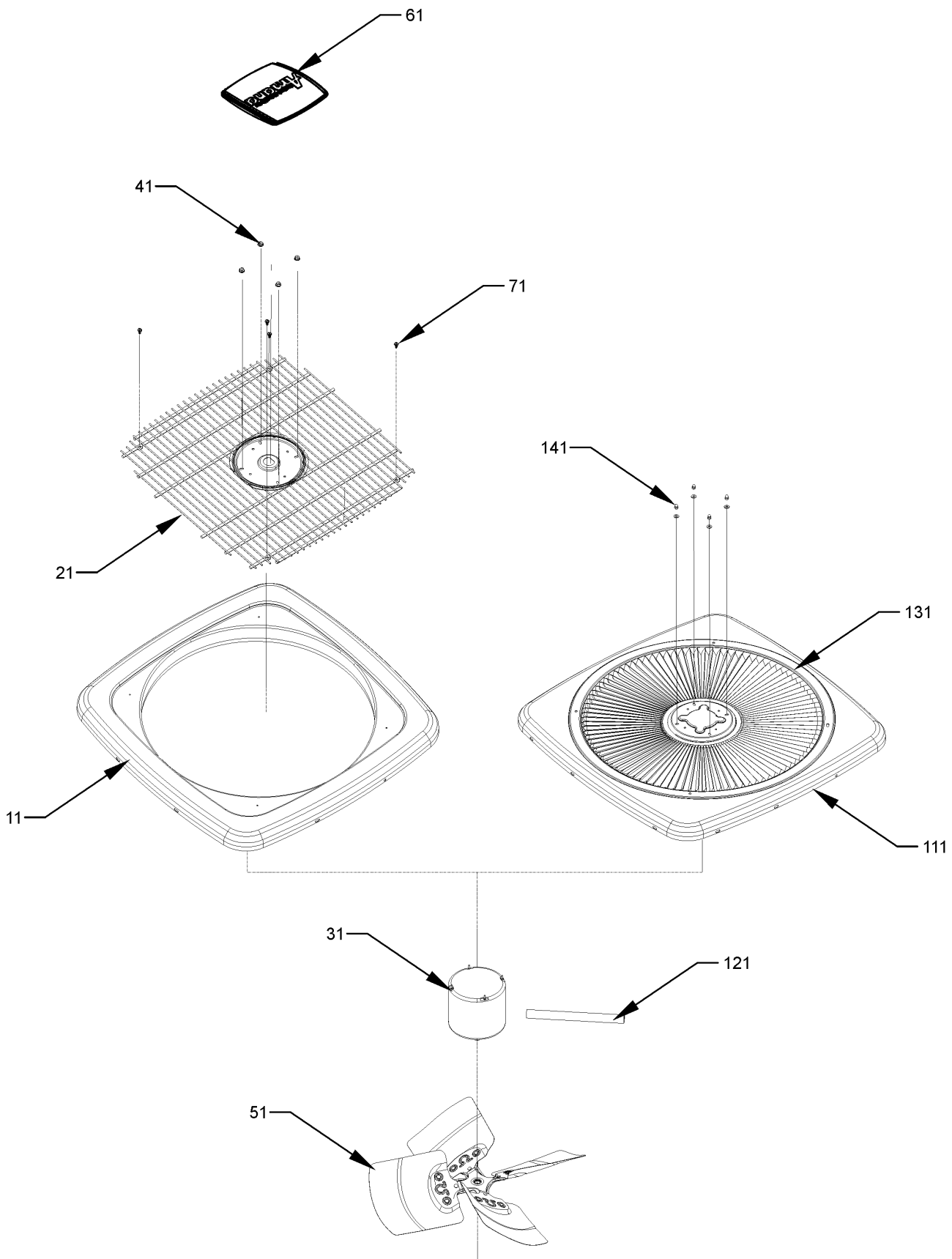
Expanded Model Nomenclature

M1 - ASX140181BA
M2 - ASX140181CA
M3 - ASX140241BA
M4 - ASX140241CA
M5 - ASX140301BA
M6 - ASX140301CA
M7 - ASX140361BA
M8 - ASX140361CA
M9 - ASX140421CA
M10 - ASX140421DA
M11 - ASX140481BA
M12 - ASX140481CA
M13 - ASX140601BA
M14 - SSX140181BA
M15 - SSX140241BA
M16 - SSX140301BA
M17 - SSX140361BA
M18 - SSX140421CA
M19 - SSX140481BA

SPECIAL PARTS

0161R00008P	AMANA LOGO CAP (M1, M2, M3, M4, M5, M6, M7, M8, M9, M10, M11, M12, M13, M14)
0161R00010P	AMANA NAMEPLATE (M1, M2, M3, M4, M5, M6, M7, M8, M9, M10, M11, M12, M13, M14)

Top Panel Assembly



Top Panel Assembly

Ref. Part No:	No:	Description:	Ref. Part No:	No:	Description:
<i>Image 1:</i>			Expanded Model Nomenclature		
11	0121R00009PDG	VENTURI TOP PANEL 26" (M1, M2, M3, M4, M5, M17, M18, M19)	M1 - ASX140181BA		
11	0121R00011PDG	VENTURI TOP PANEL 29" (M6, M7, M8, M9, M10, M11)	M2 - ASX140181CA		
11	0121R00013PDG	VENTURI TOP PANEL 35" (M12, M13, M14)	M3 - ASX140241BA		
21	0152R00000P	WIRE GRILL 26" (M1, M2, M3, M4, M5)	M4 - ASX140241CA		
21	0152R00008	WIRE GRILL 29" (M6, M7, M8, M9, M10, M11)	M5 - ASX140301BA		
21	0152R00009	WIRE GRILL 35" (M12, M13, M14)	M6 - ASX140301CA		
31	0131M00019P	COND MOTOR 1/12 HP, 1 SP, 8 PL (M16)	M7 - ASX140361BA		
31	0131M00027	COND MOTOR 1/12 HP, 2 SP, 8 PL (M4, M5)	M8 - ASX140361CA		
31	0131M00015P	COND MOTOR 1/4 HP, 2 SP, 8 PL (M12, M13, M14)	M9 - ASX140421CA		
31	0131M00016P	COND MOTOR 1/6 HP, 1 SP, 8 PL (M17, M18, M19)	M10 - ASX140421DA		
31	0131M00017P	COND MOTOR 1/6 HP, 2 SP, 8 PL (M1, M2, M6, M7, M8, M9, M10, M11)	M11 - ASX140481BA		
31	0131M00061	COND MOTOR, 1/4HP, 1SP, 8PL	M12 - ASX140481CA		
31	0131M00266	MOTOR, 1/8 HP 8 PL PSC (M3, M15)	M13 - ASX140601BA		
41	0163M00006P	ACORN NUT 5/16 HEX BLACK (M15, M16, M17, M18, M19)	M14 - SSX140181BA		
51	0150M00018	FAN BLADE 20" (M3)	M15 - SSX140241BA		
51	0150M00018	FAN BLADE 20" (M4, M5, M16)	M16 - SSX140301BA		
51	0150M00012	FAN BLADE 20" CCW (M1, M2, M15)	M17 - SSX140361BA		
51	0150M00008	FAN BLADE 22" TNT2203-25 (M8, M9, M10, M11, M18)	M18 - SSX140421CA		
51	0150M00008	FAN BLADE 22" TNT2203-25 (M6, M7, M17, M19)	M19 - SSX140481BA		
51	10625738	FAN BLADE 26" ALUM CCW (M12, M13, M14)			
61	0161R00008P	AMANA LOGO CAP (M1, M2, M3, M4, M5, M6, M7, M8, M9, M10, M11, M12, M13, M14)			
71	0163M00003P	SCREW #10 X 1/2, A, SLOT, SR, BLACK (QTY 4)			
111	0121R00008PDG	TOP PANEL 26" (M15, M16)			
111	0121R00269PDG	Top Panel, 35" Pnt			
121	0161R00000P	CONDUIT (M1, M2, M3, M4, M5)			
121	0161R00001P	CONDUIT (M15, M16)			
121	0161R00002P	CONDUIT (M6, M7, M8, M9, M10, M11, M18)			
121	0161R00003P	CONDUIT (M17, M19)			
121	0161R00004P	CONDUIT (M12, M13, M14)			
131	0161L00000	VENTURI RING 22" (M18)			
131	0161R00007P	VENTURI RING 35"			

Louvered Panels

Image 1

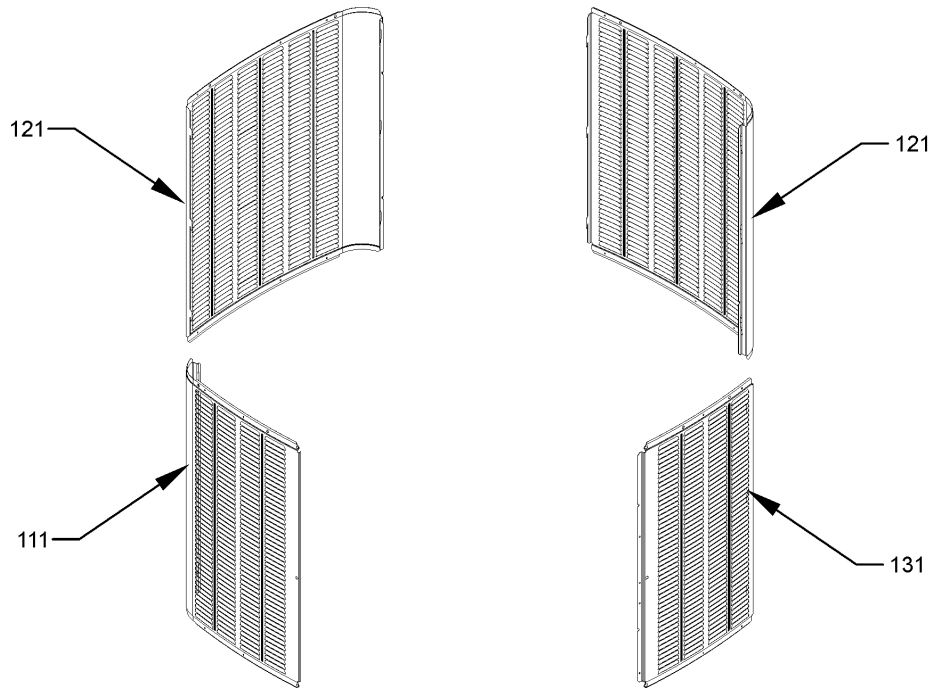
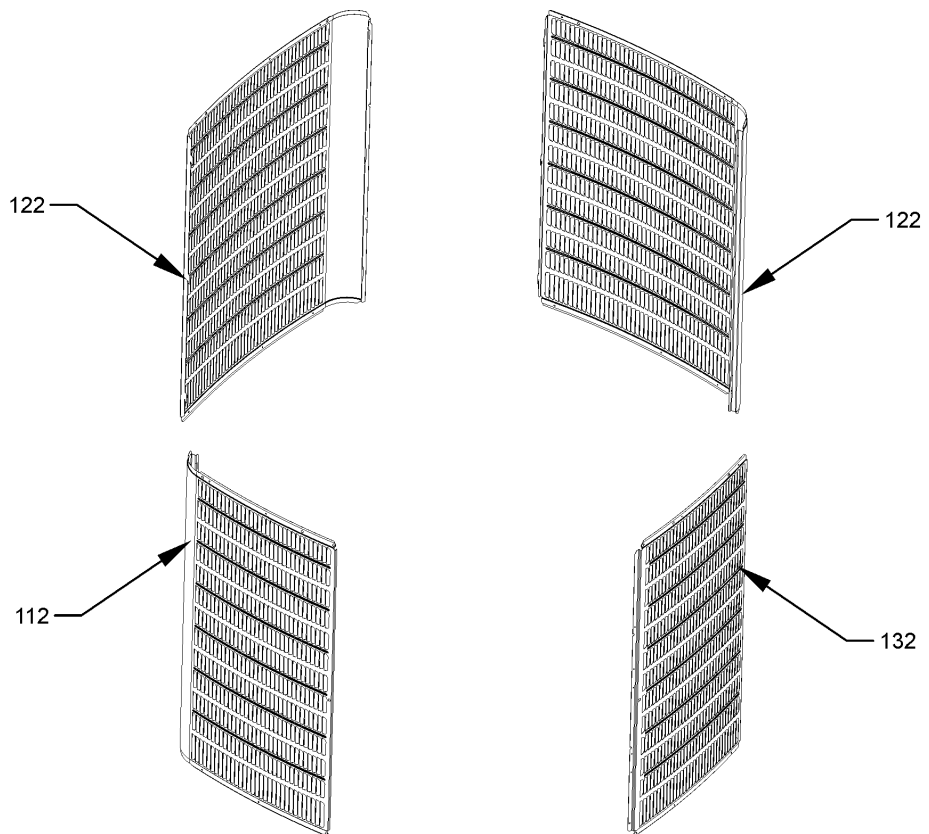


Image 2



Louvered Panels

Ref. Part No: No:	Description:	Ref. Part No: No:	Description:
-------------------	--------------	-------------------	--------------

Image 1:

111	4400464PLGB	LOUVERED SIDE PANEL [LT OF CNTL PNL] (M12, M14)
111	0121R00200PLGB	LOUVERED SIDE PANEL [LT OF CNTL PNL] (M6, M7, M8, M9)
111	0121R00202PLGB	LOUVERED SIDE PANEL [LT OF CNTL PNL] (M10, M11)
111	0121R00207PLGB	LOUVERED SIDE PANEL [LT OF CNTL PNL] (M1, M2, M3)
111	0121R00208PLGB	LOUVERED SIDE PANEL [LT OF CNTL PNL] (M4, M5)
111	0121R00228PDGB	LOUVERED SIDE PANEL [LT OF CNTL PNL]
111	0121R00239PLGB	LOUVERED SIDE PANEL [LT OF CNTL PNL] (M13)
121	0121R00198PLGB	LOUVERED SIDE PANEL (M1, M2, M3)
121	0121R00199PLGB	LOUVERED SIDE PANEL (M4, M5)
121	0121R00204PLGB	LOUVERED SIDE PANEL (M6, M7, M8, M9)
121	0121R00205PLGB	LOUVERED SIDE PANEL (M10, M11)
121	0121R00243PLGB	LOUVERED SIDE PANEL (M13)
121	4400466PLGB	LOUVERED SIDE PANEL (M12, M14)
131	0121R00193PLG	LOUVERED SIDE PANEL [RT OF CNTL PNL] (M6, M7, M8, M9)
131	0121R00194PLG	LOUVERED SIDE PANEL [RT OF CNTL PNL] (M10, M11)
131	0121R00196PLG	LOUVERED SIDE PANEL [RT OF CNTL PNL] (M1, M2, M3)
131	0121R00197PLG	LOUVERED SIDE PANEL [RT OF CNTL PNL] (M4, M5)
131	0121R00247PLG	LOUVERED SIDE PANEL [RT OF CNTL PNL] (M13)
131	4400468PLG	LOUVERED SIDE PANEL [RT OF CNTL PNL] (M12, M14)

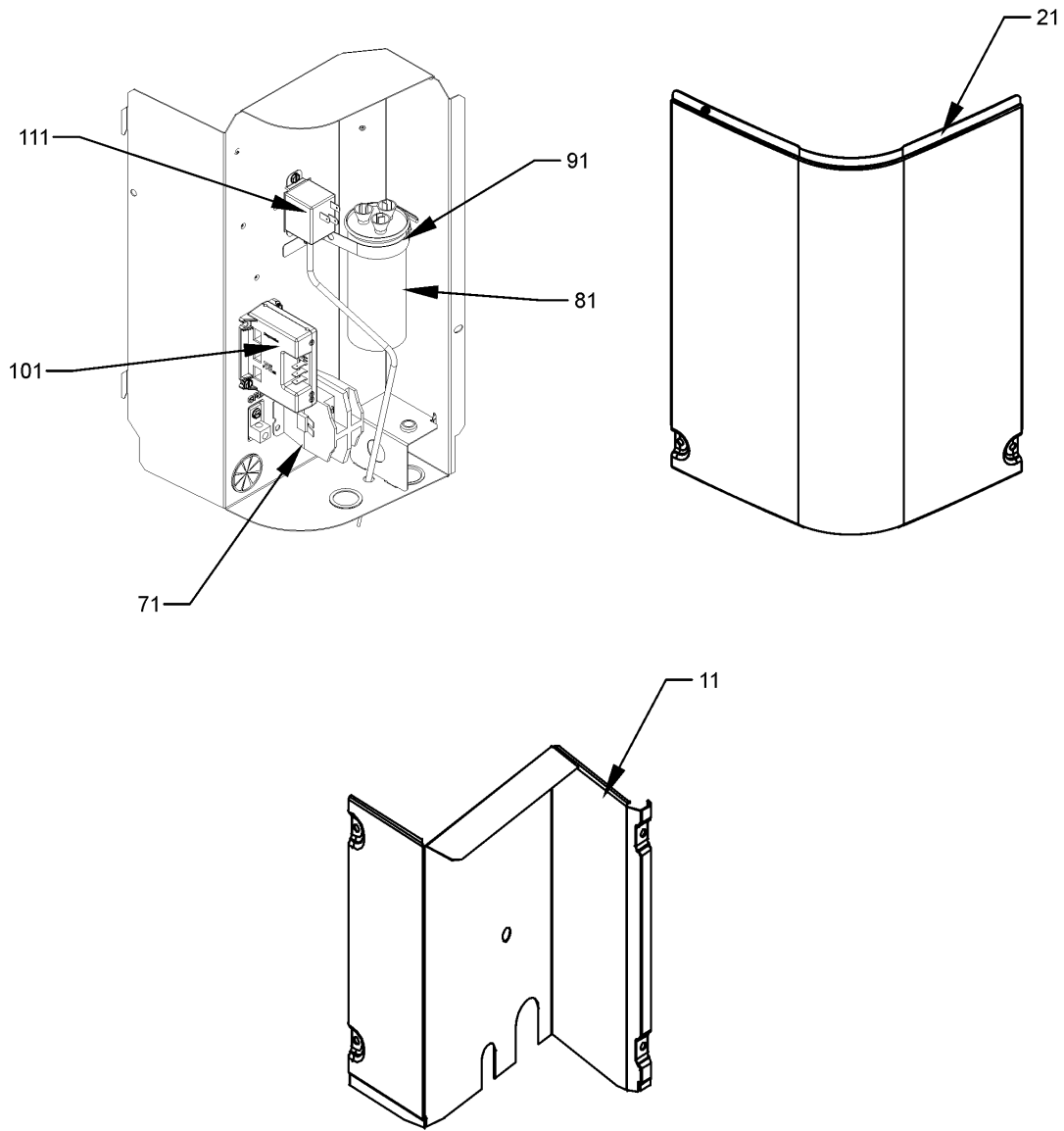
Image 2:

112	0121R00102PDGB	LOUVERED SIDE PANEL [LT OF CNTL PNL] (M15)
112	0121R00125PDGB	LOUVERED SIDE PANEL [LT OF CNTL PNL] (M17, M18)
112	0121R00127PDGB	LOUVERED SIDE PANEL [LT OF CNTL PNL] (M19)
112	0121R00171PDGB	LOUVERED SIDE PANEL [LT OF CNTL PNL] (M16)
122	0121R00132PDGB	LOUVERED SIDE PANEL (M17, M18)
122	0121R00134PDGB	LOUVERED SIDE PANEL (M19)
122	0121R00172PDGB	LOUVERED SIDE PANEL (M16)
122	0121R00231PDGB	LOUVERED SIDE PANEL
132	0121R00139PDG	LOUVERED SIDE PANEL [RT OF CNTL PNL] (M17, M18)
132	0121R00116	LOUVERED SIDE PANEL [RT OF CNTL PNL] (M15)
132	0121R00141PDG	LOUVERED SIDE PANEL [RT OF CNTL PNL] (M19)
132	0121R00173PDG	LOUVERED SIDE PANEL [RT OF CNTL PNL] (M16)
132	0121R00234PDG	LOUVERED SIDE PANEL [RT OF CNTL PNL]

Expanded Model Nomenclature

M1 - ASX140181BA
M2 - ASX140181CA
M3 - ASX140241BA
M4 - ASX140241CA
M5 - ASX140301BA
M6 - ASX140301CA
M7 - ASX140361BA
M8 - ASX140361CA
M9 - ASX140421CA
M10 - ASX140421DA
M11 - ASX140481BA
M12 - ASX140481CA
M13 - ASX140601BA
M14 - SSX140181BA
M15 - SSX140241BA
M16 - SSX140301BA
M17 - SSX140361BA
M18 - SSX140421CA
M19 - SSX140481BA

Control Box and Cover



Control Box and Cover

Ref. Part No: No:	Description:	Ref. Part No: No:	Description:
-------------------	--------------	-------------------	--------------

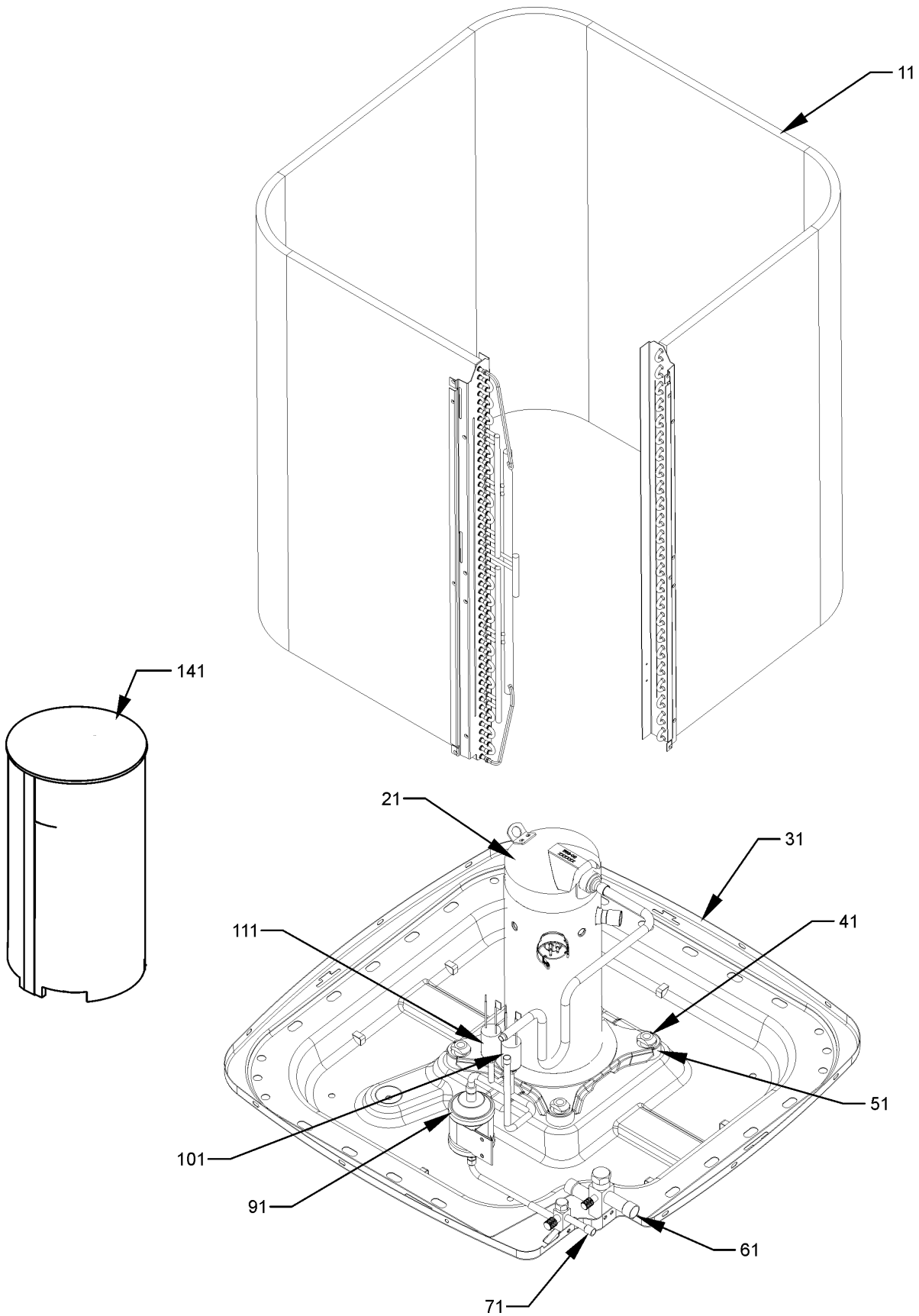
Image 1:

11	0121R00094PDG	LOWER ACCESS PANEL (M1, M2, M3, M15)
11	0121R00096PDG	LOWER ACCESS PANEL (M4, M5, M6, M7, M8, M9, M16, M17, M18)
11	0121R00098PDG	LOWER ACCESS PANEL (M10, M11, M13, M19)
11	4400205PDG	LOWER ACCESS PANEL (M12, M14)
21	0121R00053PDG	CONTROL COVER
71	CONT2P025024V	CONTACTOR 25 AMP, 2P, 24V (M1, M2, M3, M4, M5, M6, M7, M8, M9, M10, M11, M15, M16, M17, M18, M19)
71	CONT2P030024V	CONTACTOR 30 AMP, 2P, 24V (M12, M13, M14)
81	CAP050700440RT	CAP, 5/70 MFD/440V/DUAL RD (M14)
81	CAP050300440RS	CAPACITOR 5/30/370V (M1, M2, M3, M15)
81	CAP050350440RS	CAPACITOR 5/35/440V (M4, M5, M16)
81	CAP050400440RT	CAPACITOR 5/40/440V (M6, M7, M17)
81	CAP050450440RT	CAPACITOR 5/45/440V (M8, M9, M10, M11, M12, M13, M18, M19)
91	4400065	CAPACITOR STRAP
101	543001001S	COMFORT ALERT MODULE (M1, M2, M3, M4, M5, M6, M7, M8, M9, M10, M11, M12, M13, M14)
111	0130M00011P	LOW AMBIENT THERMOSTAT, SPDT (M1, M2, M4, M5, M6, M7, M8, M9, M10, M11, M12, M13, M14)
NS	0161R00010P	AMANA NAMEPLATE (M1, M2, M3, M4, M5, M6, M7, M8, M9, M10, M11, M12, M13, M14)
NS	0161R00009P	NAMEPLATE (M15, M16, M17, M18, M19)

Expanded Model Nomenclature

M1 - ASX140181BA
M2 - ASX140181CA
M3 - ASX140241BA
M4 - ASX140241CA
M5 - ASX140301BA
M6 - ASX140301CA
M7 - ASX140361BA
M8 - ASX140361CA
M9 - ASX140421CA
M10 - ASX140421DA
M11 - ASX140481BA
M12 - ASX140481CA
M13 - ASX140601BA
M14 - SSX140181BA
M15 - SSX140241BA
M16 - SSX140301BA
M17 - SSX140361BA
M18 - SSX140421CA
M19 - SSX140481BA

Condenser Coil and Tubing Assembly



Condenser Coil and Tubing Assembly

**Ref. Part
No: No:**

Description:

**Ref. Part
No: No:**

Description:

Image 1:

11	0201R00134	TUBING ASSY, COND COIL (M12)
11	0201R00137	TUBING ASSY, COND COIL (M14)
11	0201R00230	TUBING ASSY, COND COIL (M6, M7, M17)
11	0201R00251	TUBING ASSY, COND COIL (M4, M5, M16)
11	0201R00252	TUBING ASSY, COND COIL (M4, M5, M16)
11	0201R00271	TUBING ASSY, COND COIL (M1, M2, M3, M15)
11	0201R00279	TUBING ASSY, COND COIL (M8, M9, M18)
11	0201R00312	TUBING ASSY, COND COIL (M13)
11	0201R00316	TUBING ASSY, COND COIL (M10, M11, M19)
21	ZP16K5EPFV130	COMPRESSOR 15500, 208/230/60/1 (M1, M2, M3, M15)
21	ZP20K5EPFV130	COMPRESSOR 20000, 208/230/60/1 (M4, M5, M16)
21	ZP24K5EPFV130	COMPRESSOR 24000, 208/230/60/1 (M6, M7, M17)
21	ZP29K5EPFV130	COMPRESSOR 29000, 208/230/60/1 (M8, M9, M18)
21	ZP31K5EPFV130	COMPRESSOR 31100, 208/230/60/1 (M10, M11, M19)
21	ZP39K5EPFV130	COMPRESSOR 39000, 208/230/60/1 (M12, M13)
21	ZP51K5EPFV130	COMPRESSOR 51000, 208/230/60/1 (M14)
31	0121R00005PDG	BASE PAN 26" (M1, M2, M3, M4, M5, M15, M16)
31	0121R00006PDG	BASE PAN 29" (M6, M7, M8, M9, M10, M11, M17, M18, M19)
31	0121R00007PDG	BASE PAN 35" (M12, M13, M14)
41	M0221641	TF SHOULDER SCREW (QTY 4)
51	B1339533	COMPRESSOR GROMMET (QTY 4)
61	0151R00002P	3/4" SERVICE VALVE OPEN LEFT (M1, M2, M3, M4, M5, M6, M7, M8, M9, M15, M16, M17, M18)
61	0151R00003P	7/8" SERVICE VALVE OPEN LEFT (M10, M11, M12, M13, M14, M19)
71	B12825171	3/8" SERVICE VALVE
91	0162R00009	FILTER DRIER
101	20322603	HIGH PRESSURE SWITCH
111	0130M00082	LOW PRESSURE SWITCH (M13)
111	0130R00000	LOW PRESSURE SWITCH (M1, M2, M4, M5, M6, M7, M8, M9, M10, M11, M12, M14, M15, M16, M17, M18, M19)
NS	0159R00000P	COMPRESSOR SCROLL HARNESS (M1, M2, M3, M4, M5, M15, M16)
NS	0159R00001P	COMPRESSOR SCROLL HARNESS (M6, M7, M8, M9, M10, M11, M17, M18, M19)
NS	0159R00002P	COMPRESSOR SCROLL HARNESS (M12, M13, M14)
NS	B1789879	FLOW CHECK PISTON KIT (M12)
NS	B1789890	FLOW CHECK PISTON KIT (M14)
NS	B1789853	FLOW CHECK PISTON KIT .053 (M1, M2, M3, M15)
NS	B1789855	FLOW CHECK PISTON KIT .055 (M4, M5, M16)
NS	B1789865	FLOW CHECK PISTON KIT .065 (M6, M7, M17)
NS	B1789871	FLOW CHECK PISTON KIT .071 (M8, M9, M18)
NS	B1789871	FLOW CHECK PISTON KIT .071 (M10, M11, M19)
NS	B1789876	FLOW CHECK PISTON KIT .076 (M13)

Expanded Model Nomenclature

M1 - ASX140181BA
M2 - ASX140181CA
M3 - ASX140241BA
M4 - ASX140241CA
M5 - ASX140301BA
M6 - ASX140301CA
M7 - ASX140361BA
M8 - ASX140361CA
M9 - ASX140421CA
M10 - ASX140421DA
M11 - ASX140481BA
M12 - ASX140481CA
M13 - ASX140601BA
M14 - SSX140181BA
M15 - SSX140241BA
M16 - SSX140301BA
M17 - SSX140361BA
M18 - SSX140421CA
M19 - SSX140481BA