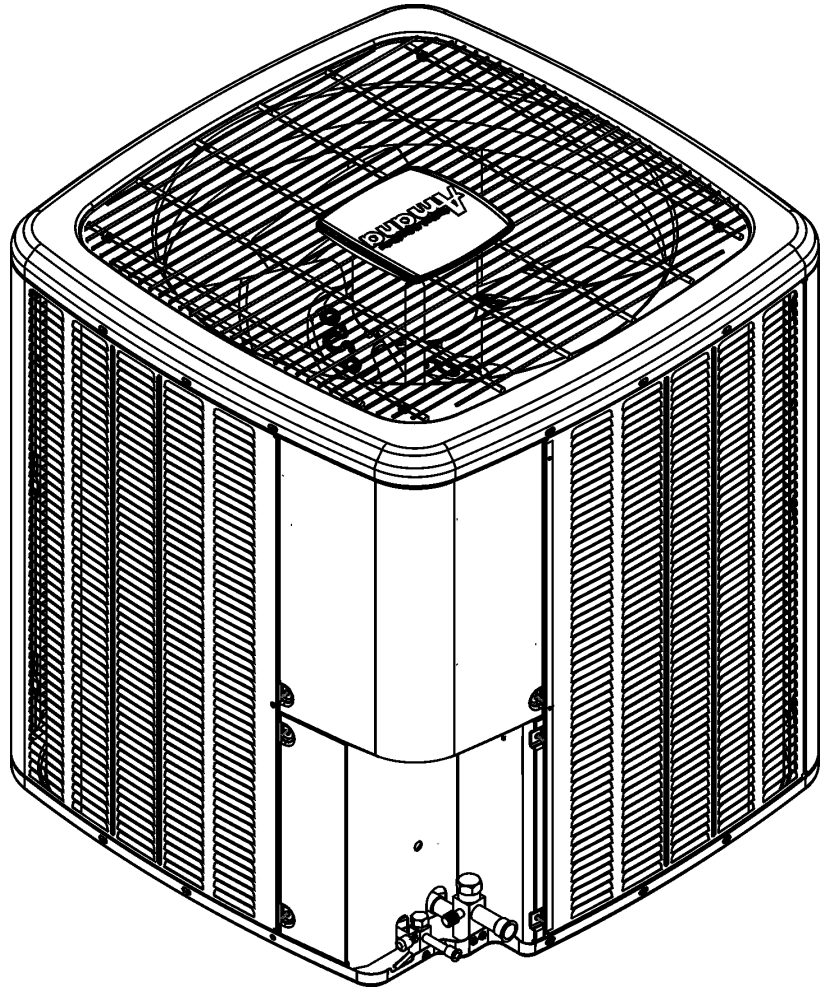


ASX14 Remote Condensing Unit

ASX140181KA
ASX140191KA
ASX140191KB
ASX140241KA
ASX140241KB
ASX140241LA
ASX140251KA
ASX140251LA
ASX140301KA
ASX140301KB
ASX140311KA
ASX140311KB
ASX140361KA
ASX140361KB
ASX140361KC
ASX140371KA
ASX140371KB
ASX140371KC
ASX140421KA
ASX140421KB
ASX140421KC
ASX140431KA
ASX140431KB
ASX140431KC
ASX140481KA
ASX140481KB
ASX140601KA
ASX140601KB



Amana® is a registered trademark of Maytag Corporation or its related companies and is used under license. All rights reserved.

This manual is to be used by qualified technicians only.

This manual replaces RP-A4001D.

© 2014 - 2016 Goodman Company, L.P. ♦ 5151 San Felipe St, Suite 500 ♦ Houston, TX 77056

Important Information

Index

Functional Parts List	3
Illustration and Parts	4 - 9

Views shown are for parts illustrations only, not servicing procedures

Text Codes:

AR - As Required

NA - Not Available

NS - Not Shown

00000000 - See Note

QTY - Quantity Example (QTY 3) (If Quantity not shown, Quantity = 1)

M - Model Example (M1) (If M Code not shown, then part is used on all Models)

Expanded Model Nomenclature:

Example M1 - Model#1 M2 - Model#2 M3 - Model#3

Goodman Company, L.P. is not responsible for personal injury or property damage resulting from improper service. Review all service information before beginning repairs.

Warranty service must be performed by an authorized technician, using authorized factory parts. If service is required after the warranty expires, Goodman Company, L.P. also recommends contacting an authorized technician and using authorized factory parts.

Goodman Company, L.P. reserves the right to discontinue, or change at any time, specifications or designs without notice or without incurring obligations.

For assistance within the U.S.A. contact:

Homeowner Support
Goodman Company, L.P.
19001 Kermier Road
Waller, Texas 77484
877-254-4729-Telephone
713-863-2382-Facsimile

For assistance outside the U.S.A. contact:

International Division
Goodman Company, L.P.
19001 Kermier Road
Waller, Texas 77484
713-861-2500-Telephone
713-863-2382-Facsimile

Functional Parts

Part

No: **Description:**

0151R00079	BASE VALVE 3/4" (M1, M2, M3, M4, M5, M6, M7, M8, M9, M10, M11, M12, M13, M14, M15, M16, M17, M18)
0151R00078	BASE VALVE 3/8"
0151R00080	BASE VALVE 7/8" (M19, M20, M21, M22, M23, M24, M25, M26, M27, M28)
CAP050300440CS	CAP,5/30MFD/440V/DUAL RD (M1, M2, M3)
CAP050350440CS	CAPACITOR 5/35/440V (M4, M5, M6, M7, M8)
CAP050400440CT	CAPACITOR 5/40/440V/DUAL RD (M9, M10, M11, M12)
CAP050450440CT	CAPACITOR 5/45/440V/DUAL RD (M13, M14, M15, M16, M17, M18, M19, M20, M21, M22, M23, M24, M25, M26)
CAP050700440CT	CAPACITOR 5/70/440V/DUAL RD (M27, M28)
ZP14K6EPFV130	COMP, 14,000,208/230/60/1 (M2, M3)
ZP20K6EPFV130	COMP, 20,000,208/230/60/1 (M4, M5, M7)
ZP24K6EPFV130	COMP, 24,000,208/230/60/1 (M11, M12)
ZP29K6EPFV130	COMP, 29,000,208/230/60/1 (M16, M17, M18)
ZP24K5EPFV130	COMP,24000,208/230/60/1 (M9, M10)
ZP29K5EPFV130	COMP,29000,208/230/60/1 (M13, M14, M15)
ZP49K5EPFV130	COMP,49400,208/230/60/1 (M27, M28)
ZP16K5EPFV130	COMPRESSOR 15500, 208/230/60/1 (M1)
ZP20K5EPFV130	COMPRESSOR 20000, 208/230/60/1 (M6, M8)
ZP31K5EPFV130	COMPRESSOR 31100, 208/230/60/1 (M19, M20, M21, M22, M23, M24)
ZP38K5EPFV130	COMPRESSOR 37500, 208/230/60/1 (M25, M26)
0131M00019P	COND MOTOR 1/12 HP, 1 SP, 8 PL (M4)
0131M00061	COND MOTOR 1/4 HP, 1 SP, 8 PL (M25, M26, M27, M28)
0131M00060	COND MOTOR 1/6 HP, 1 SP, 8 PL (M9, M11, M13, M16, M19, M22)
0131M00266	COND MOTOR 1/8 HP, 8 PL, PSC (M1, M2, M3, M5, M6, M7, M8)
0131M00753	COND MOTOR, 1/6HP, 1SP, 8PL, AL (M10, M12, M14, M15, M17, M18, M20, M21, M23, M24)
CONT1P025024V	CONTACTOR 25 AMP, 1P, 24V (M1, M2, M3, M4, M5, M6, M7, M8, M9, M10, M11, M12, M13, M14, M15, M16, M17, M18, M19, M20, M21, M22, M23, M24)
CONT1P030024V	CONTACTOR 30 AMP, 1P, 24V (M25, M26, M27, M28)
571006600	CoreSense Module
0130R00056	CUT-OUT SWITCH, HIGH PRESSURE
0150M00018	FAN BLADE 20" (M1)
0150M00012	FAN BLADE 20" CCW (M2, M3, M4, M5, M6, M7, M8)
0150M00008	FAN BLADE 22" TNT2203-25 (M11, M12, M13, M14, M15, M16, M17, M18)
10625738	FAN BLADE 26" ALUM CCW (M25, M26, M27, M28)
B1086764	FAN BLADE TYPE 2 (M9, M10, M19, M20, M21, M22, M23, M24)
CSR-U-1	HARD START KIT (M2)
0130M00082	LOW PRESSURE SWITCH

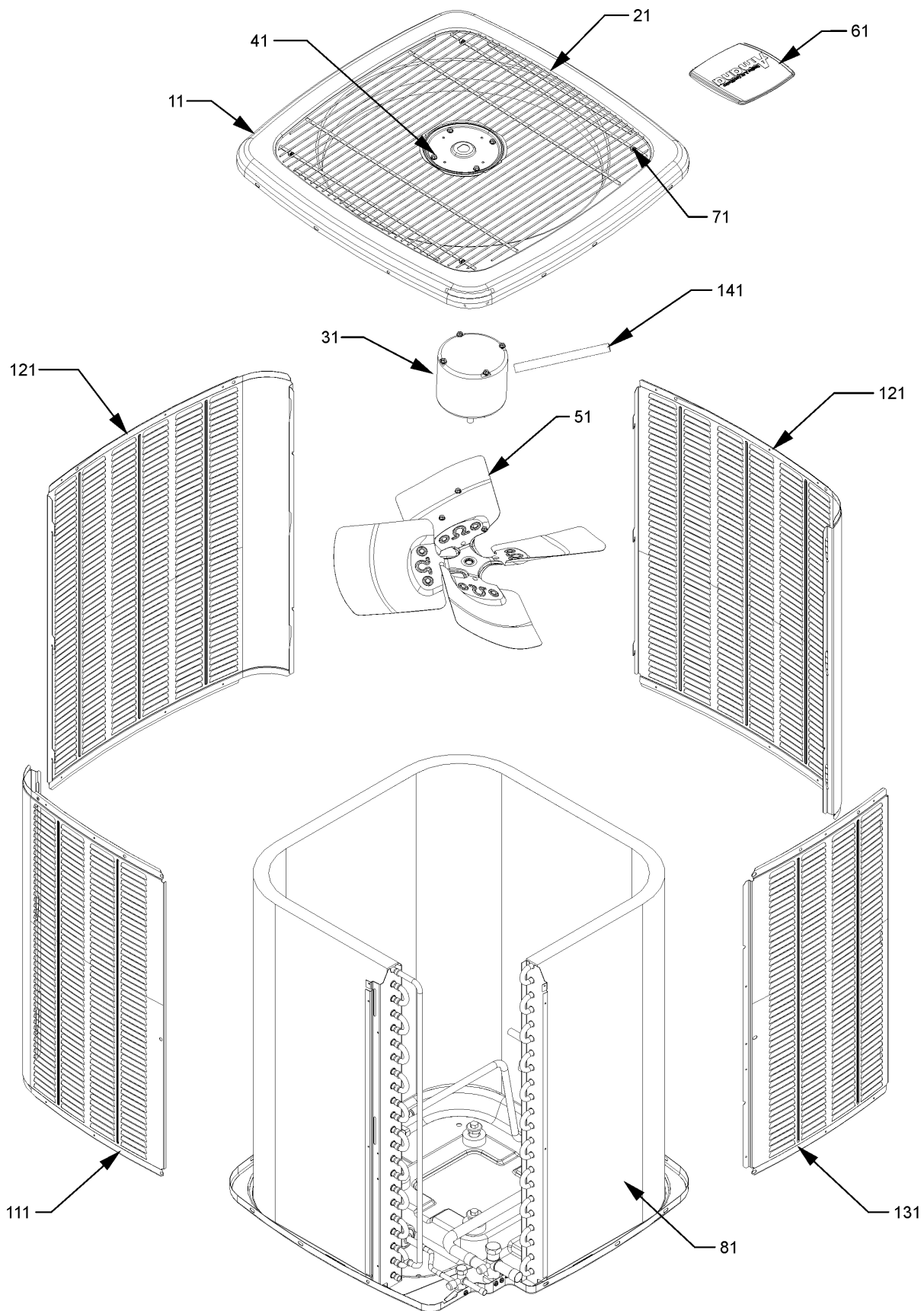
Expanded Model Nomenclature

M1 - ASX140181KA
M2 - ASX140191KA
M3 - ASX140191KB
M4 - ASX140241KA
M5 - ASX140241KB
M6 - ASX140241LA
M7 - ASX140251KA
M8 - ASX140251LA
M9 - ASX140301KA
M10 - ASX140301KB
M11 - ASX140311KA
M12 - ASX140311KB
M13 - ASX140361KA
M14 - ASX140361KB
M15 - ASX140361KC
M16 - ASX140371KA
M17 - ASX140371KB
M18 - ASX140371KC
M19 - ASX140421KA
M20 - ASX140421KB
M21 - ASX140421KC
M22 - ASX140431KA
M23 - ASX140431KB
M24 - ASX140431KC
M25 - ASX140481KA
M26 - ASX140481KB
M27 - ASX140601KA
M28 - ASX140601KB

SPECIAL PARTS

0161R00008P	AMANA LOGO CAP
0161R00010P	AMANA NAMEPLATE

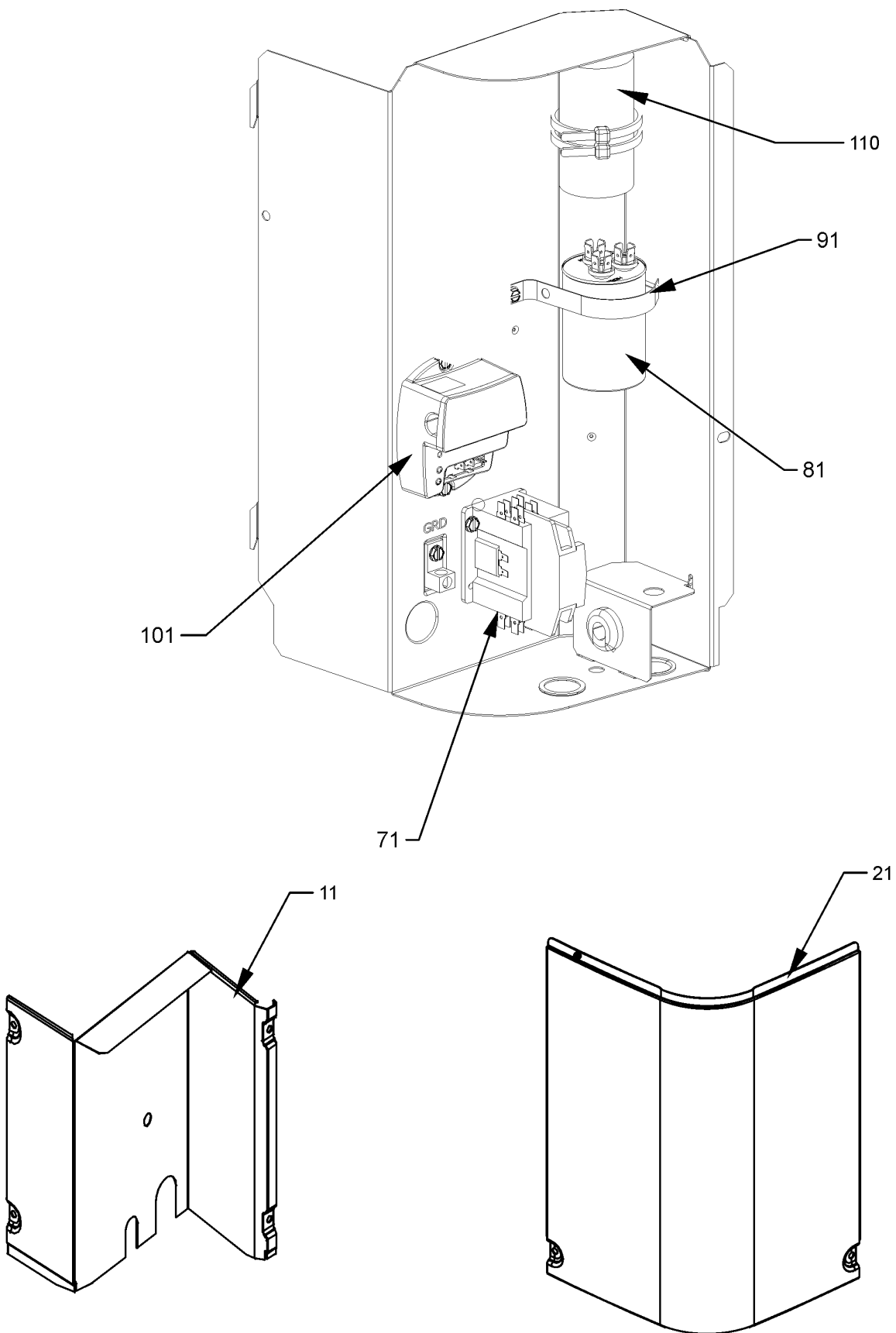
Top Panel Assembly / Louvered Panels



Top Panel Assembly / Louvered Panels

Ref. Part No: No:	Description:	Ref. Part No: No:	Description:																												
Image 1:		Image 1:																													
11	0121R00009PDG VENTURI TOP PANEL 26" (M1, M2, M3, M4, M5, M6, M7, M8)	131	0121R00196PLG LOUVERED SIDE PANEL [RT OF CNTL PNL] (M1, M2, M3, M4, M5, M7)																												
11	0121R00011PDG VENTURI TOP PANEL 29" (M9, M10, M11, M12, M13, M14, M15, M16, M17, M18, M19, M20, M21, M22, M23, M24)	131	0121R00197PLG LOUVERED SIDE PANEL [RT OF CNTL PNL] (M6, M8)																												
11	0121R00013PDG VENTURI TOP PANEL 35" (M25, M26, M27, M28)	131	0121R00247PLG LOUVERED SIDE PANEL [RT OF CNTL PNL] (M25, M26)																												
21	0152R00010 GRILLE, WIRE 26" TOP (M1, M2, M3, M4, M5, M6, M7, M8)	131	0121R00248PLG LOUVERED SIDE PANEL [RT OF CNTL PNL] (M27, M28)																												
21	0152R00011 GRILLE, WIRE 29" TOP (M9, M10, M11, M12, M13, M14, M15, M16, M17, M18, M19, M20, M21, M22, M23, M24)	141	0161R00000P CONDUIT (M1, M2, M3, M4, M5, M6, M7, M8)																												
21	0152R00014 GRILLE, WIRE 35" TOP (M25, M26, M27, M28)	141	0161R00002P CONDUIT (M9, M10, M11, M12, M13, M14, M15, M16, M17, M18, M19, M20, M21, M22, M23, M24)																												
31	0131M00019P COND MOTOR 1/12 HP, 1 SP, 8 PL (M4)	141	0161R00004P CONDUIT (M25, M26, M27, M28)																												
31	0131M00061 COND MOTOR 1/4 HP, 1 SP, 8 PL (M25, M26, M27, M28)	Expanded Model Nomenclature																													
31	0131M00060 COND MOTOR 1/6 HP, 1 SP, 8 PL (M9, M11, M13, M16, M19, M22)	<table border="1"> <tr><td>M1 - ASX140181KA</td></tr> <tr><td>M2 - ASX140191KA</td></tr> <tr><td>M3 - ASX140191KB</td></tr> <tr><td>M4 - ASX140241KA</td></tr> <tr><td>M5 - ASX140241KB</td></tr> <tr><td>M6 - ASX140241LA</td></tr> <tr><td>M7 - ASX140251KA</td></tr> <tr><td>M8 - ASX140251LA</td></tr> <tr><td>M9 - ASX140301KA</td></tr> <tr><td>M10 - ASX140301KB</td></tr> <tr><td>M11 - ASX140311KA</td></tr> <tr><td>M12 - ASX140311KB</td></tr> <tr><td>M13 - ASX140361KA</td></tr> <tr><td>M14 - ASX140361KB</td></tr> <tr><td>M15 - ASX140361KC</td></tr> <tr><td>M16 - ASX140371KA</td></tr> <tr><td>M17 - ASX140371KB</td></tr> <tr><td>M18 - ASX140371KC</td></tr> <tr><td>M19 - ASX140421KA</td></tr> <tr><td>M20 - ASX140421KB</td></tr> <tr><td>M21 - ASX140421KC</td></tr> <tr><td>M22 - ASX140431KA</td></tr> <tr><td>M23 - ASX140431KB</td></tr> <tr><td>M24 - ASX140431KC</td></tr> <tr><td>M25 - ASX140481KA</td></tr> <tr><td>M26 - ASX140481KB</td></tr> <tr><td>M27 - ASX140601KA</td></tr> <tr><td>M28 - ASX140601KB</td></tr> </table>		M1 - ASX140181KA	M2 - ASX140191KA	M3 - ASX140191KB	M4 - ASX140241KA	M5 - ASX140241KB	M6 - ASX140241LA	M7 - ASX140251KA	M8 - ASX140251LA	M9 - ASX140301KA	M10 - ASX140301KB	M11 - ASX140311KA	M12 - ASX140311KB	M13 - ASX140361KA	M14 - ASX140361KB	M15 - ASX140361KC	M16 - ASX140371KA	M17 - ASX140371KB	M18 - ASX140371KC	M19 - ASX140421KA	M20 - ASX140421KB	M21 - ASX140421KC	M22 - ASX140431KA	M23 - ASX140431KB	M24 - ASX140431KC	M25 - ASX140481KA	M26 - ASX140481KB	M27 - ASX140601KA	M28 - ASX140601KB
M1 - ASX140181KA																															
M2 - ASX140191KA																															
M3 - ASX140191KB																															
M4 - ASX140241KA																															
M5 - ASX140241KB																															
M6 - ASX140241LA																															
M7 - ASX140251KA																															
M8 - ASX140251LA																															
M9 - ASX140301KA																															
M10 - ASX140301KB																															
M11 - ASX140311KA																															
M12 - ASX140311KB																															
M13 - ASX140361KA																															
M14 - ASX140361KB																															
M15 - ASX140361KC																															
M16 - ASX140371KA																															
M17 - ASX140371KB																															
M18 - ASX140371KC																															
M19 - ASX140421KA																															
M20 - ASX140421KB																															
M21 - ASX140421KC																															
M22 - ASX140431KA																															
M23 - ASX140431KB																															
M24 - ASX140431KC																															
M25 - ASX140481KA																															
M26 - ASX140481KB																															
M27 - ASX140601KA																															
M28 - ASX140601KB																															
31	0131M00266 COND MOTOR 1/8 HP, 8 PL, PSC (M1, M2, M3, M5, M6, M7, M8)																														
31	0131M00753 COND MOTOR, 1/6HP, 1SP, 8PL, AL (M10, M12, M14, M15, M17, M18, M20, M21, M23, M24)																														
41	M0280801 HEX NUT (QTY 4)																														
51	0150M00018 FAN BLADE 20" (M1)																														
51	0150M00012 FAN BLADE 20" CCW (M2, M3, M4, M5, M6, M7, M8)																														
51	0150M00008 FAN BLADE 22" TNT2203-25 (M11, M12, M13, M14, M15, M16, M17, M18)																														
51	10625738 FAN BLADE 26" ALUM CCW (M25, M26, M27, M28)																														
51	B1086764 FAN BLADE TYPE 2 (M9, M10, M19, M20, M21, M22, M23, M24)																														
61	0161R00008P AMANA LOGO CAP																														
71	0163M00003P SCREW #10 X 1/2, A, SLOT, SR, BLACK (QTY 4)																														
81	0201R00230 TUBING ASSY, COND COIL (M9, M10)																														
81	0201R00278 TUBING ASSY, COND COIL (M13, M14, M15)																														
81	0201R00296 TUBING ASSY, COND COIL (M11, M12, M16, M17, M18)																														
81	0201R00385 TUBING ASSY, COND COIL (M25, M26)																														
81	0201R00433 TUBING ASSY, COND COIL (M27, M28)																														
81	0201R00521 TUBING ASSY, COND COIL (M1, M2, M3, M4, M5, M7)																														
81	0201R00566 TUBING ASSY, COND COIL (M19, M20, M21, M22, M23, M24)																														
81	0201R00666 TUBING ASSY, COND COIL (M6, M8)																														
111	0121R00200PLGB LOUVERED SIDE PANEL [LT OF CNTL PNL] (M9, M10, M11, M12, M13, M14, M15, M16, M17, M18)																														
111	0121R00202PLGB LOUVERED SIDE PANEL [LT OF CNTL PNL] (M19, M20, M21, M22, M23, M24)																														
111	0121R00207PLGB LOUVERED SIDE PANEL [LT OF CNTL PNL] (M1, M2, M3, M4, M5, M7)																														
111	0121R00208PLGB LOUVERED SIDE PANEL [LT OF CNTL PNL] (M6, M8)																														
111	0121R00239PLGB LOUVERED SIDE PANEL [LT OF CNTL PNL] (M25, M26)																														
111	0121R00240PLGB LOUVERED SIDE PANEL [LT OF CNTL PNL] (M27, M28)																														
121	0121R00198PLGB LOUVERED SIDE PANEL (M1, M2, M3, M4, M5, M7)																														
121	0121R00199PLGB LOUVERED SIDE PANEL (M6, M8)																														
121	0121R00204PLGB LOUVERED SIDE PANEL (M9, M10, M11, M12, M13, M14, M15, M16, M17, M18)																														
121	0121R00205PLGB LOUVERED SIDE PANEL (M19, M20, M21, M22, M23, M24)																														
121	0121R00243PLGB LOUVERED SIDE PANEL (M25, M26)																														
121	0121R00244PLGB LOUVERED SIDE PANEL (M27, M28)																														
131	0121R00193PLG LOUVERED SIDE PANEL [RT OF CNTL PNL] (M9, M10, M11, M12, M13, M14, M15, M16, M17, M18)																														
131	0121R00194PLG LOUVERED SIDE PANEL [RT OF CNTL PNL] (M19, M20, M21, M22, M23, M24)																														

Control Box and Cover



Control Box and Cover

Ref. Part

No: No:

Description:

Ref. Part

No: No:

Description:

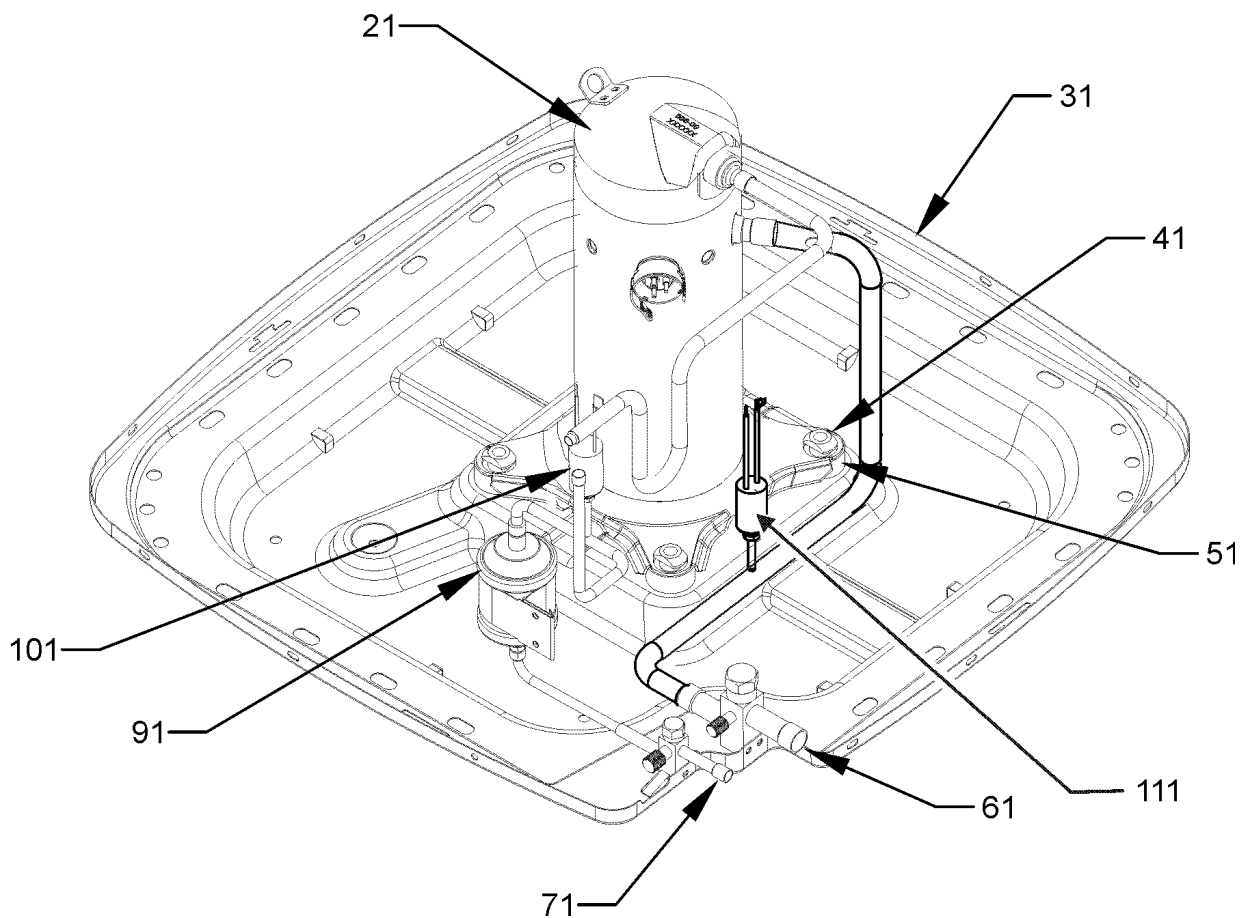
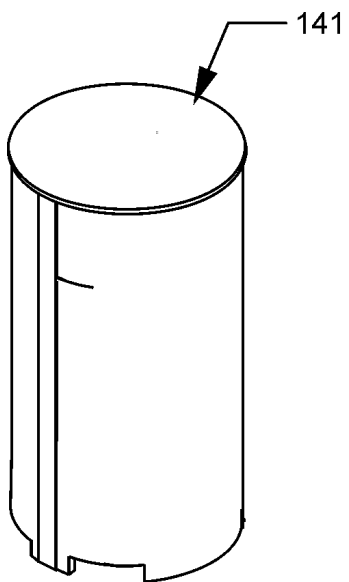
Image 1:

11	0121R00316PDG	PANEL, LOWER ACCESS PNT (M27, M28)
11	0121R00319PDG	PANEL, LOWER ACCESS PNT (M19, M20, M21, M22, M23, M24, M25, M26)
11	0121R00326PDG	PANEL, LOWER ACCESS PNT (M1, M2, M3, M4, M5, M7)
11	0121R00663PDG	PANEL, LOWER ACCESS PNT (M6, M8, M9, M10, M11, M12, M13, M14, M15, M16, M17, M18)
21	0121R00053PDG	CONTROL COVER
71	CONT1P025024V	CONTACTOR 25 AMP, 1P, 24V (M1, M2, M3, M4, M5, M6, M7, M8, M9, M10, M11, M12, M13, M14, M15, M16, M17, M18, M19, M20, M21, M22, M23, M24)
71	CONT1P030024V	CONTACTOR 30 AMP, 1P, 24V (M25, M26, M27, M28)
81	CAP050300440CS	CAP.5/30MFD/440V/DUAL RD (M1, M2, M3)
81	CAP050350440CS	CAPACITOR 5/35/440V (M4, M5, M6, M7, M8)
81	CAP050400440CT	CAPACITOR 5/40/440V/DUAL RD (M9, M10, M11, M12)
81	CAP050450440CT	CAPACITOR 5/45/440V/DUAL RD (M13, M14, M15, M16, M17, M18, M19, M20, M21, M22, M23, M24, M25, M26)
81	CAP050700440CT	CAPACITOR 5/70/440V/DUAL RD (M27, M28)
91	4400065	CAPACITOR STRAP
101	571006600	CoreSense Module
111	CSR-U-1	HARD START KIT (M2)
NS	0161R00010P	AMANA NAMEPLATE

Expanded Model Nomenclature

M1 - ASX140181KA
M2 - ASX140191KA
M3 - ASX140191KB
M4 - ASX140241KA
M5 - ASX140241KB
M6 - ASX140241LA
M7 - ASX140251KA
M8 - ASX140251LA
M9 - ASX140301KA
M10 - ASX140301KB
M11 - ASX140311KA
M12 - ASX140311KB
M13 - ASX140361KA
M14 - ASX140361KB
M15 - ASX140361KC
M16 - ASX140371KA
M17 - ASX140371KB
M18 - ASX140371KC
M19 - ASX140421KA
M20 - ASX140421KB
M21 - ASX140421KC
M22 - ASX140431KA
M23 - ASX140431KB
M24 - ASX140431KC
M25 - ASX140481KA
M26 - ASX140481KB
M27 - ASX140601KA
M28 - ASX140601KB

Compressor / Tubing Assembly



Compressor / Tubing Assembly

Ref. Part
No: No:

Description:

Ref. Part
No: No:

Description:

Image 1:

21	ZP14K6EPFV130	COMP, 14,000,208/230/60/1 (M2, M3)
21	ZP20K6EPFV130	COMP, 20,000,208/230/60/1 (M4, M5, M7)
21	ZP24K6EPFV130	COMP, 24,000,208/230/60/1 (M11, M12)
21	ZP29K6EPFV130	COMP, 29,000,208/230/60/1 (M16, M17, M18)
21	ZP24K5EPFV130	COMP,24000,208/230/60/1 (M9, M10)
21	ZP29K5EPFV130	COMP,29000,208/230/60/1 (M13, M14, M15)
21	ZP49K5EPFV130	COMP,49400,208/230/60/1 (M27, M28)
21	ZP16K5EPFV130	COMPRESSOR 15500, 208/230/60/1 (M1)
21	ZP20K5EPFV130	COMPRESSOR 20000, 208/230/60/1 (M6, M8)
21	ZP31K5EPFV130	COMPRESSOR 31100, 208/230/60/1 (M19, M20, M21, M22, M23, M24)
21	ZP38K5EPFV130	COMPRESSOR 37500, 208/230/60/1 (M25, M26)
31	0121R00005PDG	BASE PAN 26" (M1, M2, M3, M4, M5, M6, M7, M8)
31	0121R00006PDG	BASE PAN 29" (M9, M10, M11, M12, M13, M14, M15, M16, M17, M18, M19, M20, M21, M22, M23, M24)
31	0121R00007PDG	BASE PAN 35" (M25, M26, M27, M28)
41	M0221641	TF SHOULDER SCREW (QTY 4)
51	B1339533	COMPRESSOR GROMMET (QTY 4)
61	0151R00079	BASE VALVE 3/4" (M1, M2, M3, M4, M5, M6, M7, M8, M9, M10, M11, M12, M13, M14, M15, M16, M17, M18)
61	0151R00080	BASE VALVE 7/8" (M19, M20, M21, M22, M23, M24, M25, M26, M27, M28)
71	0151R00078	BASE VALVE 3/8"
91	0162R00009	FILTER DRIER
101	0130R00056	CUT-OUT SWITCH, HIGH PRESSURE
111	0130M00082	LOW PRESSURE SWITCH
141	B1488806	COMPRESSOR SOUND BLANKET (M27, M28)
141	B1488807	COMPRESSOR SOUND BLANKET (M25, M26)
141	B1488810	COMPRESSOR SOUND BLANKET (M1, M2, M3, M4, M5, M6, M7, M8, M9, M10, M11, M12, M13, M14, M15, M16, M17, M18, M19, M20, M21, M22, M23, M24)
NS	0159R00000P	COMPRESSOR SCROLL HARNESS (M1, M2, M3, M4, M5, M6, M7, M8)
NS	0159R00001P	COMPRESSOR SCROLL HARNESS (M9, M10, M11, M12, M13, M14, M15, M16, M17, M18, M19, M20, M21, M22, M23, M24)
NS	0159R00002P	COMPRESSOR SCROLL HARNESS (M25, M26, M27, M28)
NS	B1789852	FLOW CHECK PISTON KIT .052 (M1)
NS	B1789853	FLOW CHECK PISTON KIT .053 (M2, M3)
NS	B1789857	FLOW CHECK PISTON KIT .057 (M4, M5, M6, M7, M8)
NS	B1789863	FLOW CHECK PISTON KIT .063 (M11, M12)
NS	B1789865	FLOW CHECK PISTON KIT .065 (M9, M10)
NS	B1789868	FLOW CHECK PISTON KIT .068 (M13, M14, M15)
NS	B1789871	FLOW CHECK PISTON KIT .071 (M16, M17, M18)
NS	B1789874	FLOW CHECK PISTON KIT .074 (M19, M20, M21, M22, M23, M24)
NS	B1789878	FLOW CHECK PISTON KIT .078 (M25, M26)
NS	B1789888	FLOW CHECK PISTON KIT .088 (M27, M28)

Expanded Model Nomenclature

M1 - ASX140181KA
M2 - ASX140191KA
M3 - ASX140191KB
M4 - ASX140241KA
M5 - ASX140241KB
M6 - ASX140241LA
M7 - ASX140251KA
M8 - ASX140251LA
M9 - ASX140301KA
M10 - ASX140301KB
M11 - ASX140311KA
M12 - ASX140311KB
M13 - ASX140361KA
M14 - ASX140361KB
M15 - ASX140361KC
M16 - ASX140371KA
M17 - ASX140371KB
M18 - ASX140371KC
M19 - ASX140421KA
M20 - ASX140421KB
M21 - ASX140421KC
M22 - ASX140431KA
M23 - ASX140431KB
M24 - ASX140431KC
M25 - ASX140481KA
M26 - ASX140481KB
M27 - ASX140601KA
M28 - ASX140601KB