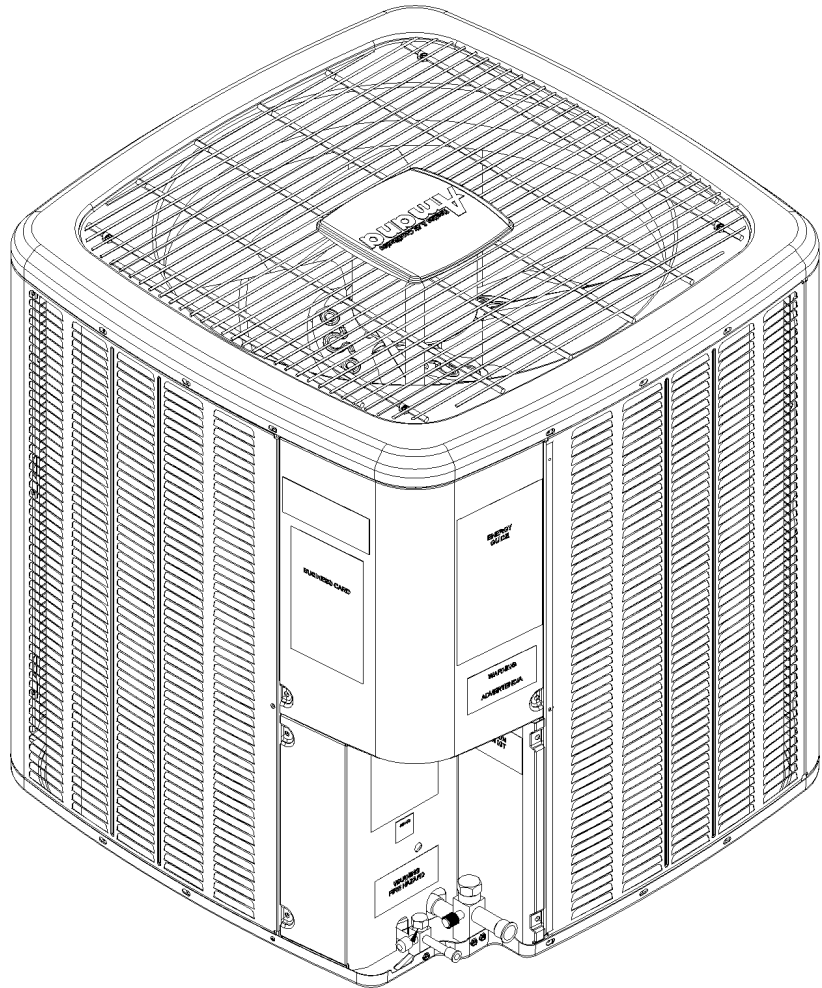


ASX13 Remote Condensing Unit

ASX130181DB
ASX130181DC
ASX130241CD
ASX130241CE
ASX130301CD
ASX130301CE
ASX130361CD
ASX130361DA
ASX130361DB
ASX130361DE
ASX130421CD
ASX130421CE
ASX130481CD
ASX130481CE
ASX130601CC
ASX130601CD
ASX130611AB



Amana® is a registered trademark of Maytag Corporation or its related companies and is used under license. All rights reserved.

This manual is to be used by qualified technicians only.

This manual replaces RP-748C.

Important Information

Index

Functional Parts List	3
Illustration and Parts	4 - 9

Views shown are for parts illustrations only, not servicing procedures

Text Codes:

AR - As Required

NA - Not Available

NS - Not Shown

00000000 - See Note

QTY - Quantity Example (QTY 3) (If Quantity not shown, Quantity = 1)

M - Model Example (M1) (If M Code not shown, then part is used on all Models)

Expanded Model Nomenclature:

Example M1 - Model#1 M2 - Model#2 M3 - Model#3

Goodman Manufacturing Company, L.P. is not responsible for personal injury or property damage resulting from improper service. Review all service information before beginning repairs.

Warranty service must be performed by an authorized technician, using authorized factory parts. If service is required after the warranty expires, Goodman Manufacturing Company, L.P. also recommends contacting an authorized technician and using authorized factory parts.

Goodman Manufacturing Company, L.P. reserves the right to discontinue, or change at any time, specifications or designs without notice or without incurring obligations.

For assistance within the U.S.A. contact:
Homeowner Support
Goodman Manufacturing Company, L.P.
19001 Kermier Road
Waller, Texas 77484
877-254-4729-Telephone
713-863-2382-Facsimile

For assistance outside the U.S.A. contact:
International Division
Goodman Manufacturing Company, L.P.
19001 Kermier Road
Waller, Texas 77484
713-861-2500-Telephone
713-863-2382-Facsimile

Functional Parts

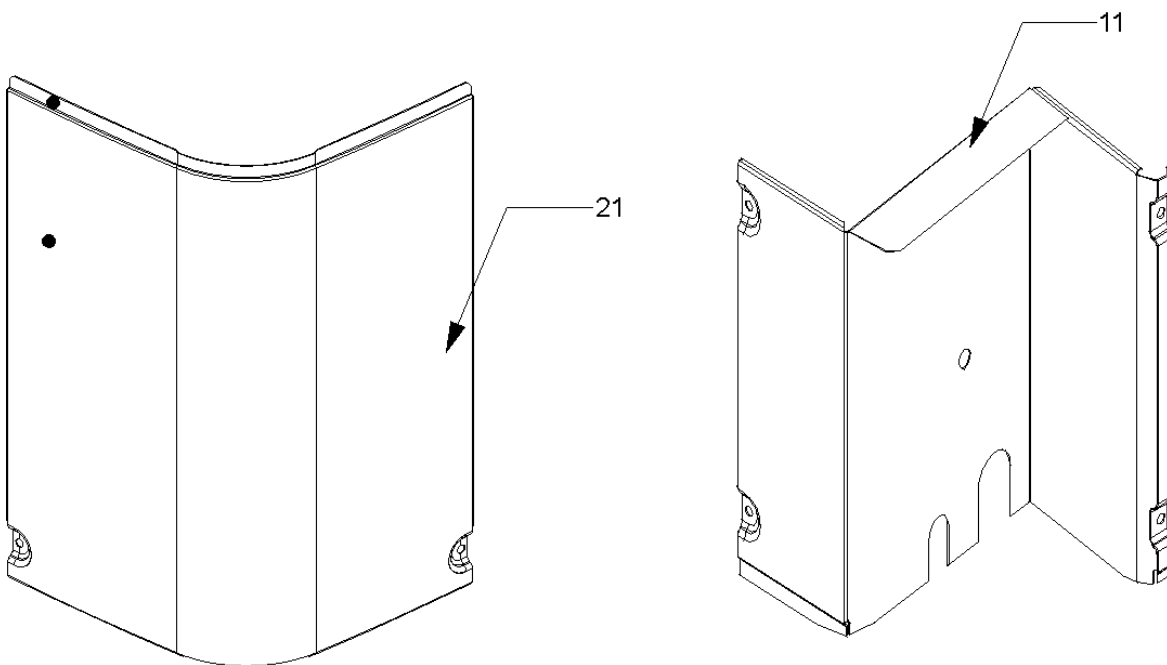
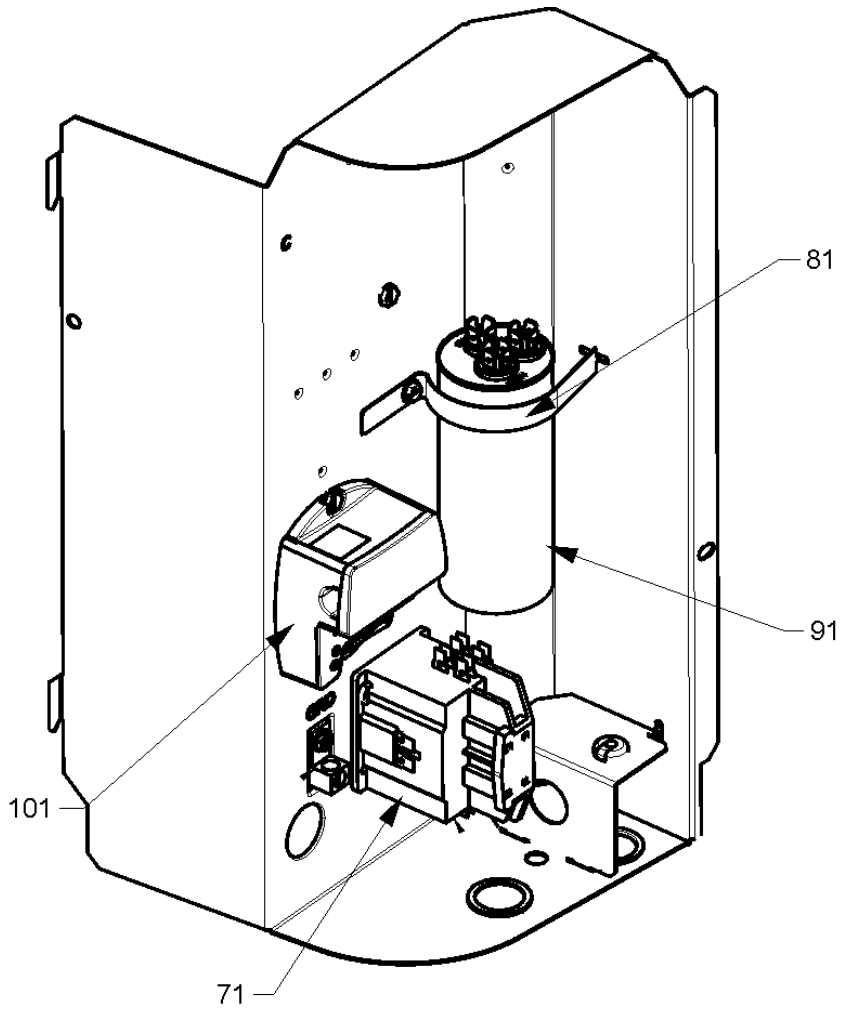
Part No: **Description:**

Part No:	Description:	Expanded Model Nomenclature
0151R00079	BASE VALVE 3/4" (M1, M2, M3, M4, M5, M6, M7, M8, M9, M10)	M1 - ASX130181DB
0151R00078	BASE VALVE 3/8"	M2 - ASX130181DC
0151R00080	BASE VALVE 7/8" (M11, M12, M13, M14, M15, M16, M17)	M3 - ASX130241CD
CAP050300440CS	CAP,5/30MFD/440V/DUAL RD (M1, M2)	M4 - ASX130241CE
CAP050350440CS	CAPACITOR 5/35/440V (M3, M4)	M5 - ASX130301CD
CAP050400440CT	CAPACITOR 5/40/440V/DUAL RD (M5, M6)	M6 - ASX130301CE
CAP050450440CT	CAPACITOR 5/45/440V/DUAL RD (M7, M8, M9, M10, M11, M12, M13, M14)	M7 - ASX130361CD
CAP050700440CT	CAPACITOR 5/70/440V/DUAL RD (M15, M16, M17)	M8 - ASX130361DA
ZP24K5EPFV130	COMP,24000,208/230/60/1 (M5, M6)	M9 - ASX130361DB
ZP29K5EPFV130	COMP,29000,208/230/60/1 (M8, M9, M10)	M10 - ASX130361DE
ZP49K5EPFV130	COMP,49400,208/230/60/1 (M15, M16)	M11 - ASX130421CD
ZP16K5EPFV130	COMPRESSOR 15500, 208/230/60/1 (M1, M2)	M12 - ASX130421CE
ZP20K5EPFV130	COMPRESSOR 20000, 208/230/60/1 (M3, M4)	M13 - ASX130481CD
ZP31K5EPFV130	COMPRESSOR 31100, 208/230/60/1 (M7)	M14 - ASX130481CE
ZP34K5EPFV130	COMPRESSOR 34500, 208/230/60/1 (M11, M12)	M15 - ASX130601CC
ZP39K5EPFV130	COMPRESSOR 39000, 208/230/60/1 (M13, M14)	M16 - ASX130601CD
ZP51K5EPFV130	COMPRESSOR 51000, 208/230/60/1 (M17)	M17 - ASX130611AB
0131M00018P	COND MOTOR 1/4 HP, 1 SP, 6 PL (M8, M9, M10)	
0131M00061	COND MOTOR 1/4 HP, 1 SP, 8 PL (M11, M12, M13, M14, M15, M16, M17)	
0131M00060	COND MOTOR 1/6 HP, 1 SP, 8 PL (M7)	
0131M00266	COND MOTOR 1/8 HP, 8 PL, PSC (M1, M2, M3, M4, M5, M6)	
CONT1P025024V	CONTACTOR 25 AMP, 1P, 24V (M1, M2, M3, M4, M5, M6, M7, M8, M9, M10, M11, M12)	
CONT1P030024V	CONTACTOR 30 AMP, 1P, 24V (M13, M14, M15, M16, M17)	
571006600	CoreSense Module	
0130R00001	CUT-OUT SWITCH, LOW PRESSURE (M7)	
0150M00041	FAN BLADE (M8, M9, M10)	
0150M00018	FAN BLADE 20" (M1, M2, M3, M4)	
0150M00012	FAN BLADE 20" CCW (M5, M6)	
10625738	FAN BLADE 26" ALUM CCW (M17)	
B1086764	FAN BLADE TYPE 2 (M7)	
B1086765	FAN BLADE TYPE 3 (M11, M12, M13, M14, M15, M16)	
B1789886	FLOW CHECK PISTON KIT (M15, M16, M17)	
B1789851	FLOW CHECK PISTON KIT .051 (M1, M2)	
B1789857	FLOW CHECK PISTON KIT .057 (M3, M4)	
B1789861	FLOW CHECK PISTON KIT .061 (M5, M6)	
B1789870	FLOW CHECK PISTON KIT .070 (M7, M8, M9, M10)	
B1789876	FLOW CHECK PISTON KIT .076 (M11, M12)	
B1789880	FLOW CHECK PISTON KIT .080 (M13, M14)	
0130M00082	LOW PRESSURE SWITCH (M1, M2, M3, M4, M5, M6, M8, M9, M10, M11, M12, M13, M14, M15, M16, M17)	

SPECIAL PARTS

0161R00008P AMANA LOGO CAP
 0161R00010P AMANA NAMEPLATE

Control Cover / Control Box



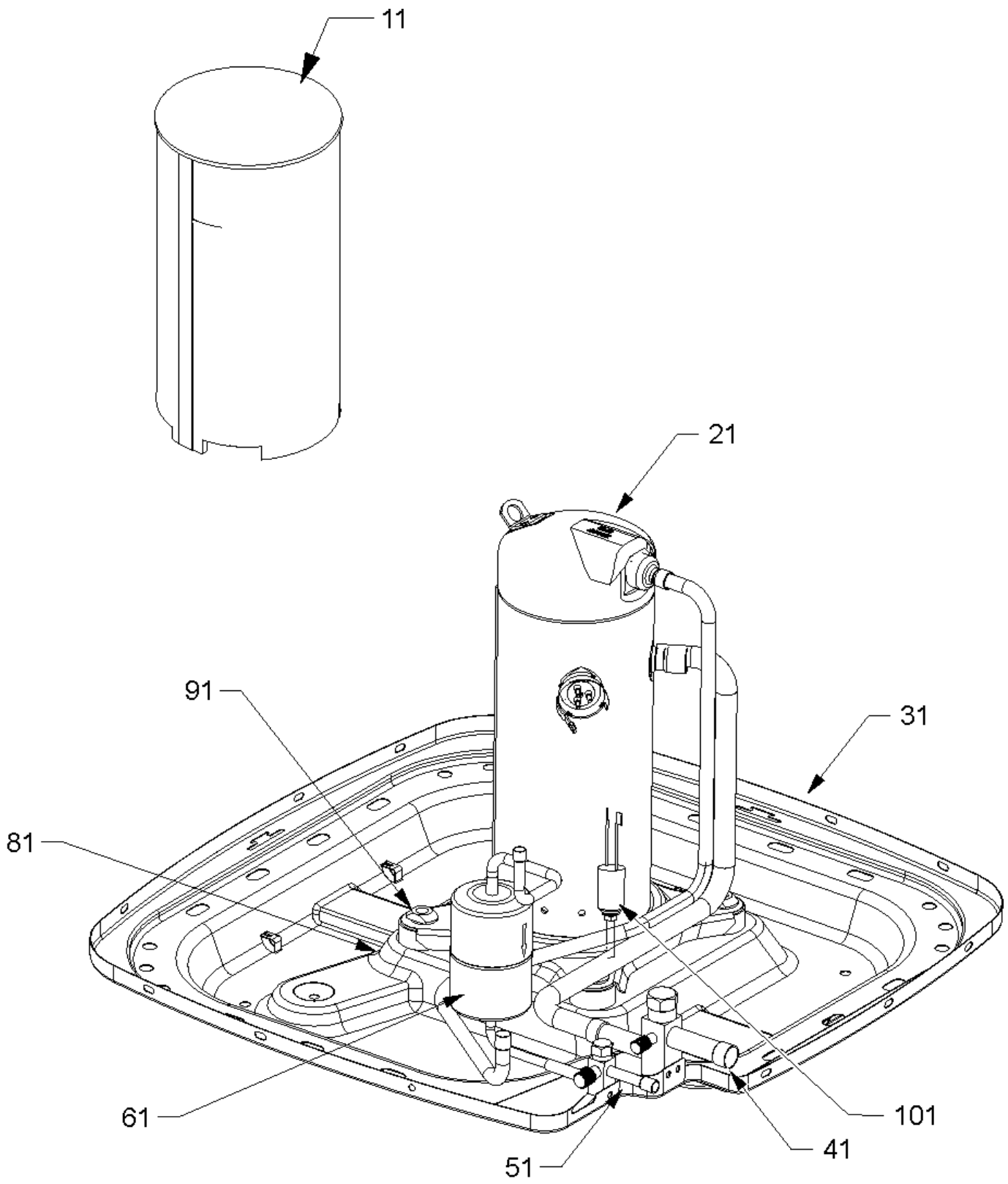
Control Cover / Control Box

Ref. Part No:	No:	Description:	Ref. Part No:	No:	Description:
Image 1:					
11	0121R00316PDG	PANEL, LOWER ACCESS PNT (M15, M16)			
11	0121R00319PDG	PANEL, LOWER ACCESS PNT (M11, M12, M13, M14, M17)			
11	0121R00325PDG	PANEL, LOWER ACCESS PNT (M7)			
11	0121R00326PDG	PANEL, LOWER ACCESS PNT (M1, M2, M3, M4, M5, M6, M8, M9, M10)			
21	0121R00053PDG	CONTROL COVER			
71	CONT1P025024V	CONTACTOR 25 AMP, 1P, 24V (M1, M2, M3, M4, M5, M6, M7, M8, M9, M10, M11, M12)			
71	CONT1P030024V	CONTACTOR 30 AMP, 1P, 24V (M13, M14, M15, M16, M17)			
81	4400065	CAPACITOR STRAP			
91	CAP050300440CS	CAP,5/30MFD/440V/DUAL RD (M1, M2)			
91	CAP050350440CS	CAPACITOR 5/35/440V (M3, M4)			
91	CAP050400440CT	CAPACITOR 5/40/440V/DUAL RD (M5, M6)			
91	CAP050450440CT	CAPACITOR 5/45/440V/DUAL RD (M7, M8, M9, M10, M11, M12, M13, M14)			
91	CAP050700440CT	CAPACITOR 5/70/440V/DUAL RD (M15, M16, M17)			
101	571006600	CoreSense Module			
NS	0161R00010P	AMANA NAMEPLATE			

Expanded Model Nomenclature

- M1 - ASX130181DB
- M2 - ASX130181DC
- M3 - ASX130241CD
- M4 - ASX130241CE
- M5 - ASX130301CD
- M6 - ASX130301CE
- M7 - ASX130361CD
- M8 - ASX130361DA
- M9 - ASX130361DB
- M10 - ASX130361DE
- M11 - ASX130421CD
- M12 - ASX130421CE
- M13 - ASX130481CD
- M14 - ASX130481CE
- M15 - ASX130601CC
- M16 - ASX130601CD
- M17 - ASX130611AB

Compressor / Tubing Assembly



Compressor / Tubing Assembly

Ref. Part
No: No:

Description:

Ref. Part
No: No:

Description:

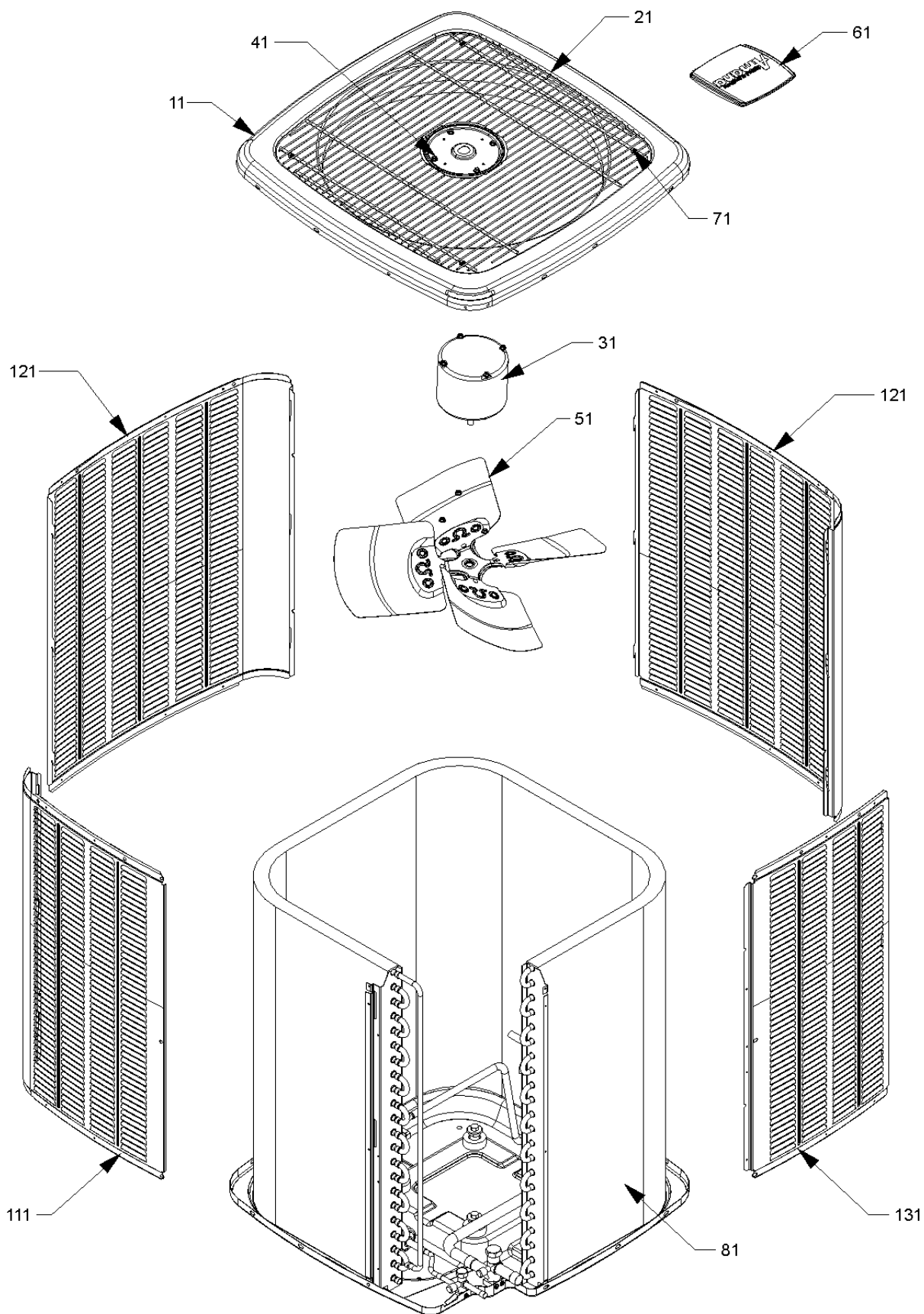
Image 1:

11	B1488806	COMPRESSOR SOUND BLANKET (M17)
11	B1488807	COMPRESSOR SOUND BLANKET (M11, M12, M13, M14, M15, M16)
11	B1488810	COMPRESSOR SOUND BLANKET (M1, M2, M3, M4, M5, M6, M8, M9, M10)
21	ZP24K5EPFV130	COMP,24000,208/230/60/1 (M5, M6)
21	ZP29K5EPFV130	COMP,29000,208/230/60/1 (M8, M9, M10)
21	ZP49K5EPFV130	COMP,49400,208/230/60/1 (M15, M16)
21	ZP16K5EPFV130	COMPRESSOR 15500, 208/230/60/1 (M1, M2)
21	ZP20K5EPFV130	COMPRESSOR 20000, 208/230/60/1 (M3, M4)
21	ZP31K5EPFV130	COMPRESSOR 31100, 208/230/60/1 (M7)
21	ZP34K5EPFV130	COMPRESSOR 34500, 208/230/60/1 (M11, M12)
21	ZP39K5EPFV130	COMPRESSOR 39000, 208/230/60/1 (M13, M14)
21	ZP51K5EPFV130	COMPRESSOR 51000, 208/230/60/1 (M17)
31	0121R00005PDG	BASE PAN 26" (M1, M2, M3, M4, M5, M6, M8, M9, M10)
31	0121R00006PDG	BASE PAN 29" (M7, M11, M12, M13, M14, M15, M16)
31	0121R00007PDG	BASE PAN 35" (M17)
41	0151R00079	BASE VALVE 3/4" (M1, M2, M3, M4, M5, M6, M7, M8, M9, M10)
41	0151R00080	BASE VALVE 7/8" (M11, M12, M13, M14, M15, M16, M17)
51	0151R00078	BASE VALVE 3/8"
61	0162R00009	FILTER DRIER
81	B1339533	COMPRESSOR GROMMET (QTY 4)
91	M0221641	TF SHOULDER SCREW (QTY 4)
101	0130R00001	CUT-OUT SWITCH, LOW PRESSURE (M7)
101	0130M00082	LOW PRESSURE SWITCH (M1, M2, M3, M4, M5, M6, M8, M9, M10, M11, M12, M13, M14, M15, M16, M17)
NS	0159R00000P	COMPRESSOR SCROLL HARNESS (M1, M2, M3, M4, M5, M6, M8, M9, M10)
NS	0159R00001P	COMPRESSOR SCROLL HARNESS (M7, M11, M12, M13, M14)
NS	0159R00002P	COMPRESSOR SCROLL HARNESS (M15, M16, M17)
NS	B1789886	FLOW CHECK PISTON KIT (M15, M16, M17)
NS	B1789851	FLOW CHECK PISTON KIT .051 (M1, M2)
NS	B1789857	FLOW CHECK PISTON KIT .057 (M3, M4)
NS	B1789861	FLOW CHECK PISTON KIT .061 (M5, M6)
NS	B1789870	FLOW CHECK PISTON KIT .070 (M7, M8, M9, M10)
NS	B1789876	FLOW CHECK PISTON KIT .076 (M11, M12)
NS	B1789880	FLOW CHECK PISTON KIT .080 (M13, M14)

Expanded Model Nomenclature

M1 - ASX130181DB
M2 - ASX130181DC
M3 - ASX130241CD
M4 - ASX130241CE
M5 - ASX130301CD
M6 - ASX130301CE
M7 - ASX130361CD
M8 - ASX130361DA
M9 - ASX130361DB
M10 - ASX130361DE
M11 - ASX130421CD
M12 - ASX130421CE
M13 - ASX130481CD
M14 - ASX130481CE
M15 - ASX130601CC
M16 - ASX130601CD
M17 - ASX130611AB

Cabinet Top / Side Panels / Condenser



Cabinet Top / Side Panels / Condenser

Ref. Part No: No:	Description:	Ref. Part No: No:	Description:
Image 1:		Image 1:	
11	0121R00009PDG VENTURI TOP PANEL 26" (M1, M2, M3, M4, M5, M6, M8, M9, M10)	NS	0161R00002P CONDUIT (M7, M11, M12, M13, M14, M15, M16)
11	0121R00011PDG VENTURI TOP PANEL 29" (M7, M11, M12, M13, M14, M15, M16)	NS	0161R00004P CONDUIT (M17)
11	0121R00013PDG VENTURI TOP PANEL 35" (M17)	Expanded Model Nomenclature	
21	0152R00010 GRILLE, WIRE 26" TOP (M1, M2, M3, M4, M5, M6, M8, M9, M10)	<div style="border: 1px solid black; padding: 5px;"> M1 - ASX130181DB M2 - ASX130181DC M3 - ASX130241CD M4 - ASX130241CE M5 - ASX130301CD M6 - ASX130301CE M7 - ASX130361CD M8 - ASX130361DA M9 - ASX130361DB M10 - ASX130361DE M11 - ASX130421CD M12 - ASX130421CE M13 - ASX130481CD M14 - ASX130481CE M15 - ASX130601CC M16 - ASX130601CD M17 - ASX130611AB </div>	
21	0152R00011 GRILLE, WIRE 29" TOP (M7, M11, M12, M13, M14, M15, M16)		
21	0152R00014 GRILLE, WIRE 35" TOP (M17)		
31	0131M00018P COND MOTOR 1/4 HP, 1 SP, 6 PL (M8, M9, M10)		
31	0131M00061 COND MOTOR 1/4 HP, 1 SP, 8 PL (M11, M12, M13, M14, M15, M16, M17)		
31	0131M00060 COND MOTOR 1/6 HP, 1 SP, 8 PL (M7)		
31	0131M00266 COND MOTOR 1/8 HP, 8 PL, PSC (M1, M2, M3, M4, M5, M6)		
41	M0280801 HEX NUT (QTY 4)		
51	0150M00041 FAN BLADE (M8, M9, M10)		
51	0150M00018 FAN BLADE 20" (M1, M2, M3, M4)		
51	0150M00012 FAN BLADE 20" CCW (M5, M6)		
51	10625738 FAN BLADE 26" ALUM CCW (M17)		
51	B1086764 FAN BLADE TYPE 2 (M7)		
51	B1086765 FAN BLADE TYPE 3 (M11, M12, M13, M14, M15, M16)		
61	0161R00008P AMANA LOGO CAP		
71	0163M00003P SCREW #10 X 1/2, A, SLOT, SR, BLACK (QTY 6)		
81	0201R00269 COIL TUBING ASSY (M1, M3)		
81	0201R00349 COIL TUBING ASSY (M16)		
81	0201R00385 COIL TUBING ASSY (M17)		
81	0201R00458 COIL TUBING ASSY (M6, M9, M10)		
81	0201R00463 COIL TUBING ASSY (M15)		
81	0201R00472 COIL TUBING ASSY (M12, M14)		
81	0201R00492 COIL TUBING ASSY (M5, M8)		
81	0201R00510 COIL TUBING ASSY (M2, M4)		
81	0201R00272 TUBING ASSY, COND COIL (M7)		
81	0201R00274 TUBING ASSY, COND COIL (M11, M13)		
111	0121R00203PLGB LOUVERED SIDE PANEL (M15, M16)		
111	0121R00202PLGB LOUVERED SIDE PANEL [LT OF CNTL PNL] (M11, M12, M13, M14)		
111	0121R00207PLGB LOUVERED SIDE PANEL [LT OF CNTL PNL] (M1, M2, M3, M4, M5, M6, M8, M9, M10)		
111	0121R00209PLGB LOUVERED SIDE PANEL [LT OF CNTL PNL] (M7)		
111	0121R00239PLGB LOUVERED SIDE PANEL [LT OF CNTL PNL] (M17)		
121	0121R00198PLGB LOUVERED SIDE PANEL (M1, M2, M3, M4, M5, M6, M8, M9, M10)		
121	0121R00205PLGB LOUVERED SIDE PANEL (M11, M12, M13, M14)		
121	0121R00206PLGB LOUVERED SIDE PANEL (M15, M16)		
121	0121R00210PLGB LOUVERED SIDE PANEL (M7)		
121	0121R00243PLGB LOUVERED SIDE PANEL (M17)		
131	0121R00194PLG LOUVERED SIDE PANEL [RT OF CNTL PNL] (M11, M12, M13, M14)		
131	0121R00195PLG LOUVERED SIDE PANEL [RT OF CNTL PNL] (M15, M16)		
131	0121R00196PLG LOUVERED SIDE PANEL [RT OF CNTL PNL] (M1, M2, M3, M4, M5, M6, M8, M9, M10)		
131	0121R00211PLG LOUVERED SIDE PANEL [RT OF CNTL PNL] (M7)		
131	0121R00247PLG LOUVERED SIDE PANEL [RT OF CNTL PNL] (M17)		
NS	0161R00000P CONDUIT (M1, M2, M3, M4, M5, M6, M8, M9, M10)		