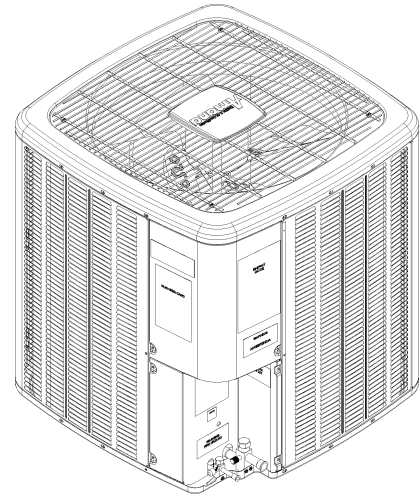


## ASX13 Remote Condensing Unit

ASX130181DD  
ASX130181DE  
ASX130241CF  
ASX130241CG  
ASX130241CH  
ASX130301CF  
ASX130301CG  
ASX130301CH  
ASX130361DF  
ASX130361DG  
ASX130361DJ  
ASX130421CF  
ASX130421CG  
ASX130421CH  
ASX130421CJ  
ASX130481CF  
ASX130481CG  
ASX130481CH  
ASX130601CE  
ASX130601CF  
ASX130601CG  
ASX130611AC  
ASX130611AD



Amana® is a registered trademark of Maytag Corporation or its related companies and is used under license. All rights reserved.

This manual is to be used by qualified technicians only.

This manual replaces RP-A4310B.

© 2016 - 2017 , 2020 - 2021 Goodman Company, L.P. ♦ 5151 San Felipe St, Suite 500 ♦ Houston, TX 77056

# Important Information

---

## Index

Functional Parts List .....	3
Illustration and Parts .....	4 - 9

*Views shown are for parts illustrations only, not servicing procedures*

### Text Codes:

AR - As Required

NA - Not Available

NS - Not Shown

00000000 - See Note

QTY - Quantity Example (QTY 3) (If Quantity not shown, Quantity = 1)

M - Model Example (M1) (If M Code not shown, then part is used on all Models)

### Expanded Model Nomenclature:

Example M1 - Model#1 M2 - Model#2 M3 - Model#3
---

Goodman Company, L.P. is not responsible for personal injury or property damage resulting from improper service. Review all service information before beginning repairs.

Warranty service must be performed by an authorized technician, using authorized factory parts. If service is required after the warranty expires, Goodman Company, L.P. also recommends contacting an authorized technician and using authorized factory parts.

Goodman Company, L.P. reserves the right to discontinue, or change at any time, specifications or designs without notice or without incurring obligations.

For assistance within the U.S.A. contact:

Homeowner Support  
Goodman Company, L.P.  
19001 Kermier Road  
Waller, Texas 77484  
877-254-4729-Telephone  
713-863-2382-Facsimile

For assistance outside the U.S.A. contact:

International Division  
Goodman Company, L.P.  
19001 Kermier Road  
Waller, Texas 77484  
713-861-2500-Telephone  
713-863-2382-Facsimile

# Functional Parts

**Part No:**      **Description:**

0131M00266	1/8 HP 8 PL PSC MOTOR (M3, M6)
0131M00811	1/8 HP 8 PL PSC MOTOR (M1, M4, M7)
0151R00185	BASE VALVE 3/4" (M1, M2, M3, M4, M5, M6, M7, M8, M9, M10, M11)
0151R00187	BASE VALVE 3/8"
0151R00186	BASE VALVE 7/8" (M12, M13, M14, M15, M16, M17, M18, M19, M20, M21, M22, M23)
0150M00012	BLADE-FAN 20" CCW (M6, M7, M8)
CAP050300440CS	CAP.5/30MFD/440V/DUAL RD (M1, M2)
CAP050350440CS	CAPACITOR 5/35/440V (M3, M4, M5)
CAP050400440CT	CAPACITOR 5/40/440V/DUAL RD (M6, M7, M8)
CAP050450440CT	CAPACITOR 5/45/440V/DUAL RD (M9, M10, M11, M12, M13, M14, M15, M16, M17, M18)
CAP050700440CT	CAPACITOR 5/70/440V/DUAL RD (M19, M20, M21, M22, M23)
ZP24K5EPFV130	COMP,24000,208/230/60/1 (M6, M7, M8)
ZP29K5EPFV130	COMP,29000,208/230/60/1 (M9, M10, M11)
ZP49K5EPFV130	COMP,49400,208/230/60/1 (M19, M20, M21)
ZP16K5EPFV130	COMPRESSOR 15500, 208/230/60/1 (M1, M2)
ZP20K5EPFV130	COMPRESSOR 20000, 208/230/60/1 (M3, M4, M5)
ZP34K5EPFV130	COMPRESSOR 34500, 208/230/60/1 (M12, M13, M14, M15)
ZP39K5EPFV130	COMPRESSOR 39000, 208/230/60/1 (M16, M17, M18)
ZP51K5EPFV130	COMPRESSOR 51000, 208/230/60/1 (M22, M23)
CONT1P025024V	CONTACTOR 25 AMP, 1P, 24V (M1, M2, M3, M4, M5, M6, M7, M8, M9, M10, M11, M12, M13, M14, M15)
CONT1P030024V	CONTACTOR 30 AMP, 1P, 24V (M16, M17, M18, M19, M20, M21, M22, M23)
571006600	CoreSense Module
0150M00041	FAN BLADE (M9, M10)
0150M00067	FAN BLADE (M11)
0150M00018	FAN BLADE 20" (M1, M2, M3, M4, M5)
0150M00066	FAN BLADE, 26" (M22, M23)
B1086765	FAN BLADE, TYPE 3 (M12, M13, M14, M15, M16, M17, M18, M19, M20, M21)
B1789861	FLOW CHECK PISTON KIT (M6, M7, M8)
B1789870	FLOW CHECK PISTON KIT (M9, M10, M11)
B1789876	FLOW CHECK PISTON KIT (M12, M13, M14, M15)
B1789886	FLOW CHECK PISTON KIT (M19, M20, M21, M22, M23)
B1789851	FLOW CHECK PISTON KIT (M1, M2)
B1789880	FLOW CHECK PISTON KIT (M16, M17, M18)
B1789859	KIT, FLOW CHECK PISTON (M3, M4, M5)
0130M00082	LOW PRESSURE SWITCH
0131M00018P	MOTOR, 1/4HP, 1SP, 6PL (M9)
0131M00813	MOTOR, 1/4HP, 1SP, 6PL (M10)
0131M00061	MOTOR, 1/4HP, 1SP, 8PL (M13, M17, M20)
0131M00968	MOTOR, 1/4HP, 1SP, 8PL, AL (M15, M18, M21, M23)
0131M00807	MOTOR, 1/4HP,1SP,8PL,AL (M12, M14, M16, M19, M22)
0131M00969	MOTOR, 1/8HP, 8PL, PSC (M2, M5, M8)
0131M00954	MOTOR, OD, PSC, 1/4HP (M11)

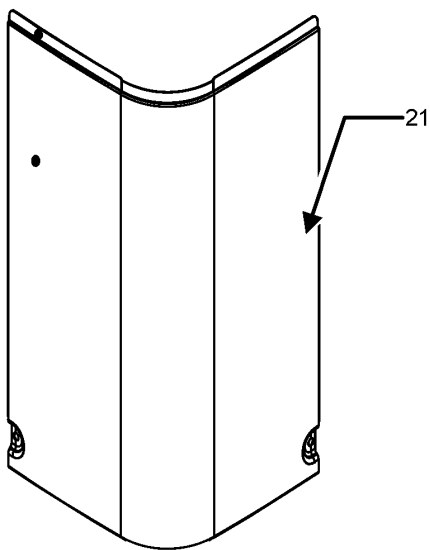
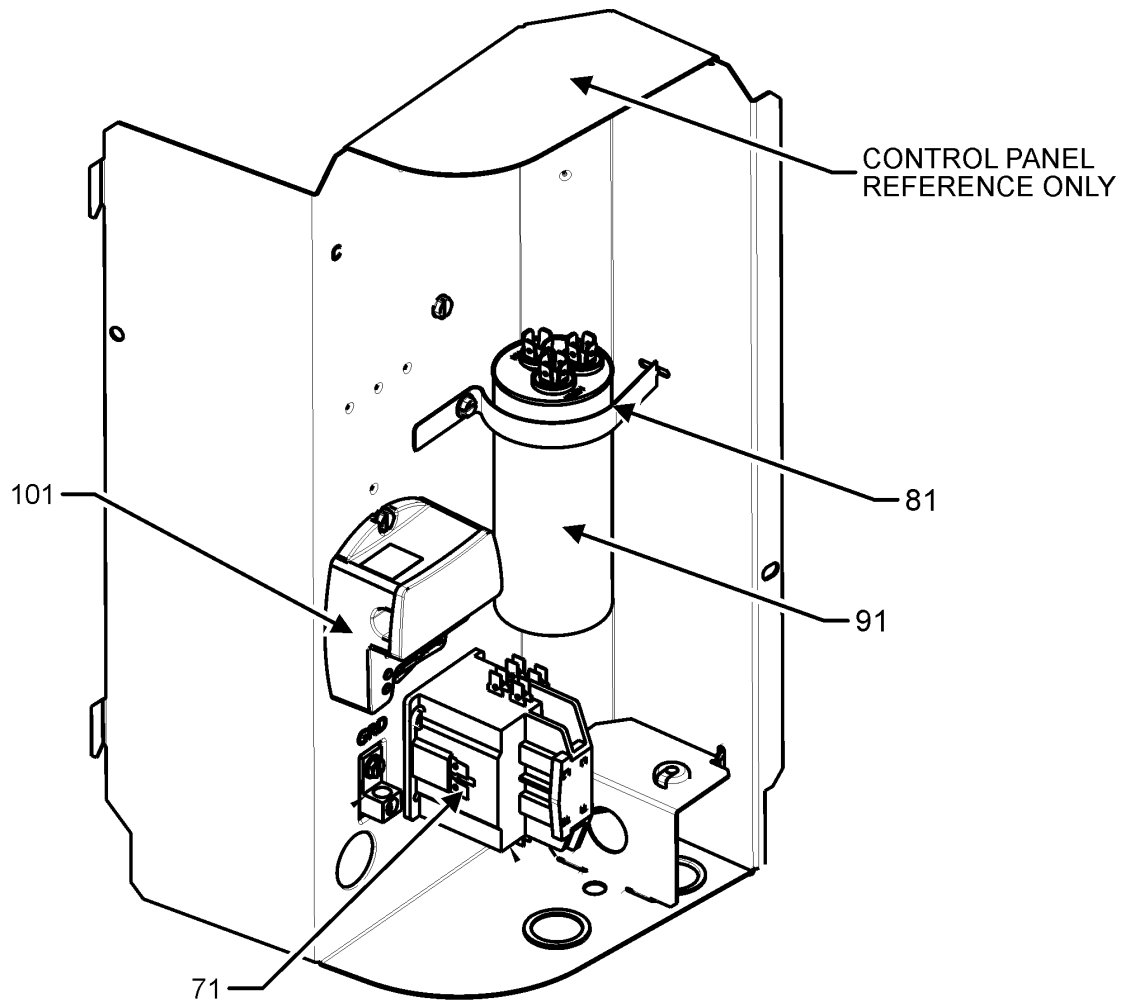
## SPECIAL PARTS

0161R00086	CAP, GRILL
0161R00087	NAMEPLATE, AMANA LOGO

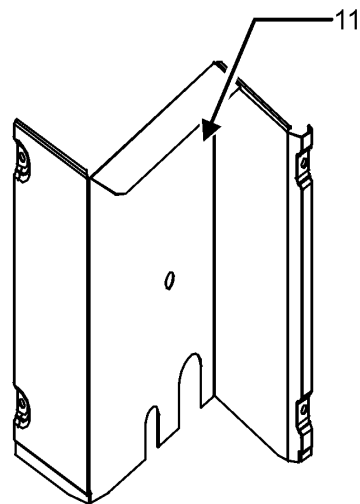
## Expanded Model Nomenclature

M1 - ASX130181DD
M2 - ASX130181DE
M3 - ASX130241CF
M4 - ASX130241CG
M5 - ASX130241CH
M6 - ASX130301CF
M7 - ASX130301CG
M8 - ASX130301CH
M9 - ASX130361DF
M10 - ASX130361DG
M11 - ASX130361DJ
M12 - ASX130421CF
M13 - ASX130421CG
M14 - ASX130421CH
M15 - ASX130421CJ
M16 - ASX130481CF
M17 - ASX130481CG
M18 - ASX130481CH
M19 - ASX130601CE
M20 - ASX130601CF
M21 - ASX130601CG
M22 - ASX130611AC
M23 - ASX130611AD

# Control Box Assembly



LOWER ACCESS COVER



LOWER ACCESS PANEL

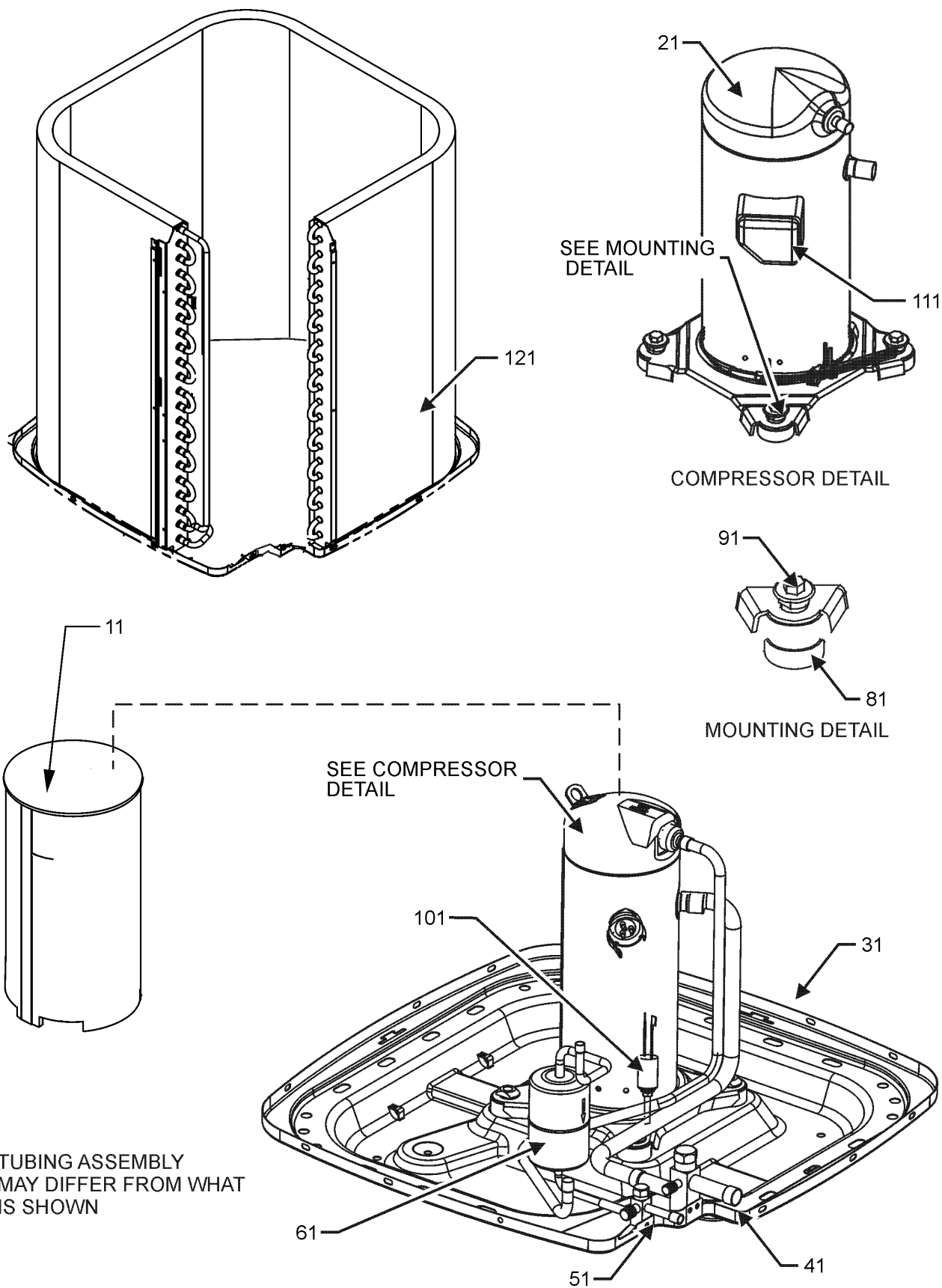
# Control Box Assembly

Ref. Part No:	Ref. Part No:	Description:	Description:
<b>Image 1:</b>			
11	0121R00909PDG	PNL, LWR ACCESS (M19, M20, M21)	
11	0121R00912PDG	PNL, LWR ACCESS (M12, M13, M14, M15, M16, M17, M18, M22, M23)	
11	0121R00915PDG	PNL, LWR ACCESS (M1, M2, M3, M4, M5, M6, M7, M8, M9, M10, M11)	
21	0121R00053PDG	CONTROL COVER	
71	CONT1P025024V	CONTACTOR 25 AMP, 1P, 24V (M1, M2, M3, M4, M5, M6, M7, M8, M9, M10, M11, M12, M13, M14, M15)	
71	CONT1P030024V	CONTACTOR 30 AMP, 1P, 24V (M16, M17, M18, M19, M20, M21, M22, M23)	
81	4400065	CAPACITOR STRAP	
91	CAP050300440CS	CAP.5/30MFD/440V/DUAL RD (M1, M2)	
91	CAP050350440CS	CAPACITOR 5/35/440V (M3, M4, M5)	
91	CAP050400440CT	CAPACITOR 5/40/440V/DUAL RD (M6, M7, M8)	
91	CAP050450440CT	CAPACITOR 5/45/440V/DUAL RD (M9, M10, M11, M12, M13, M14, M15, M16, M17, M18)	
91	CAP050700440CT	CAPACITOR 5/70/440V/DUAL RD (M19, M20, M21, M22, M23)	
101	571006600	CoreSense Module	
NS	0161R00087	NAMEPLATE, AMANA LOGO	

## Expanded Model Nomenclature

M1 - ASX130181DD
M2 - ASX130181DE
M3 - ASX130241CF
M4 - ASX130241CG
M5 - ASX130241CH
M6 - ASX130301CF
M7 - ASX130301CG
M8 - ASX130301CH
M9 - ASX130361DF
M10 - ASX130361DG
M11 - ASX130361DJ
M12 - ASX130421CF
M13 - ASX130421CG
M14 - ASX130421CH
M15 - ASX130421CJ
M16 - ASX130481CF
M17 - ASX130481CG
M18 - ASX130481CH
M19 - ASX130601CE
M20 - ASX130601CF
M21 - ASX130601CG
M22 - ASX130611AC
M23 - ASX130611AD

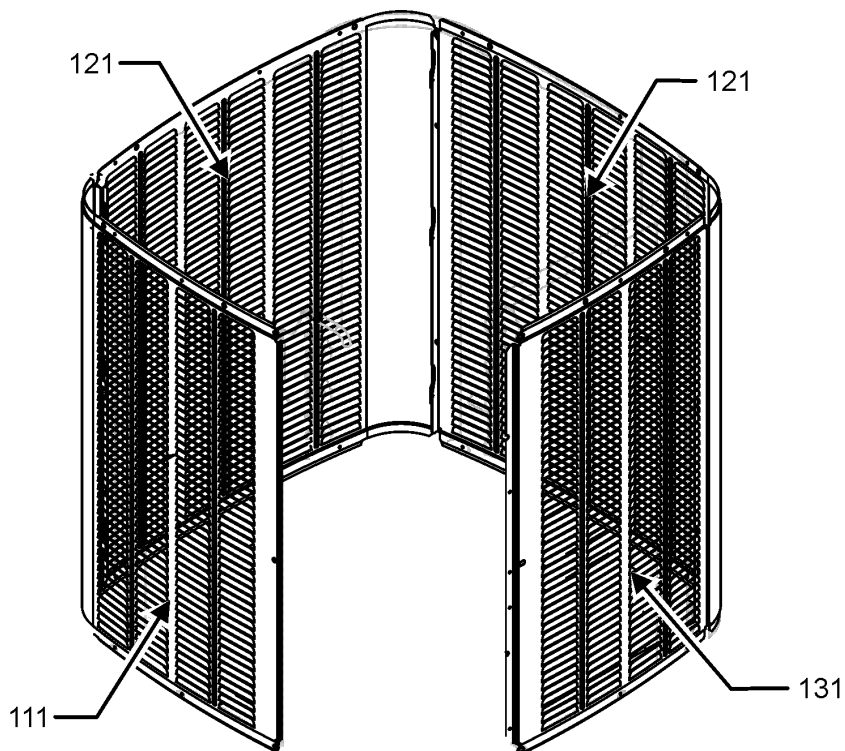
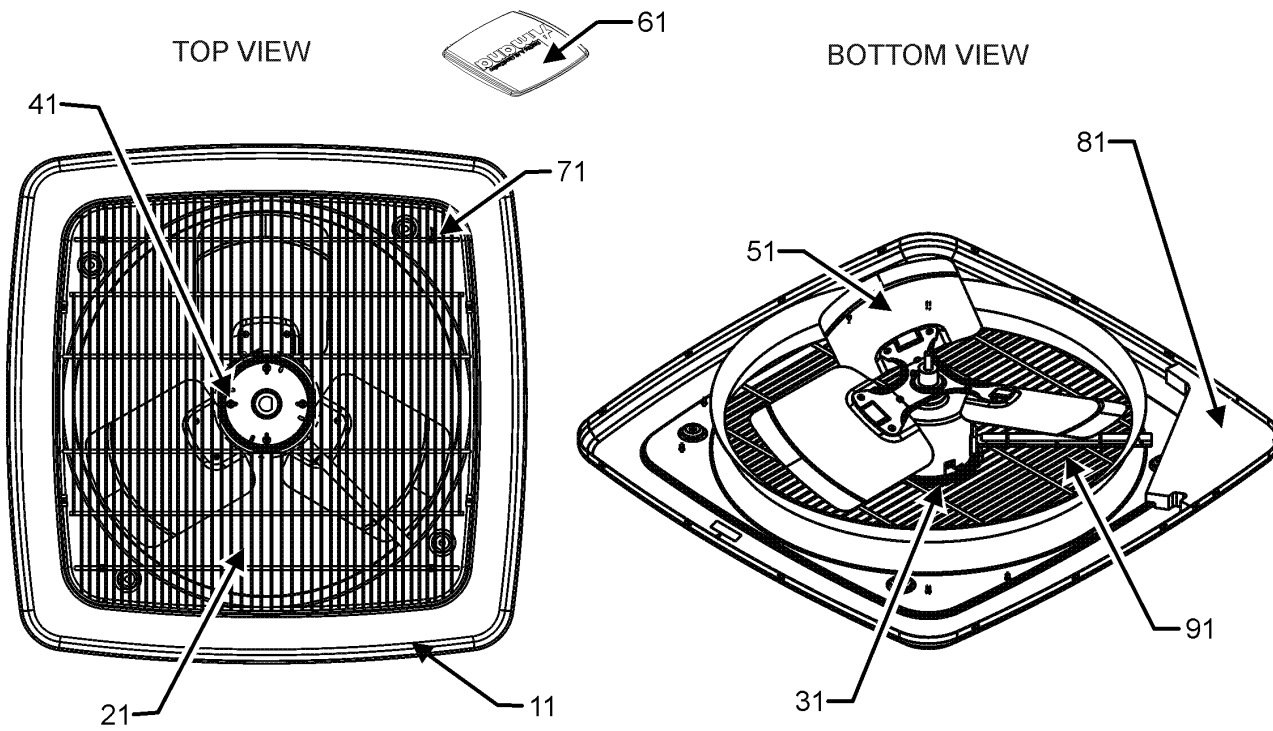
# Compressor and Tubing Assembly



# Compressor and Tubing Assembly

Ref. Part No:	No:	Description:	Ref. Part No:	No:	Description:
<b>Image 1:</b>			<b>Expanded Model Nomenclature</b>		
11	0160M00035	COMPRESSOR BLANKET (M1, M2, M3, M4, M5, M6, M7, M8, M9, M10, M11)	M1	-	ASX130181DD
11	0160M00039	COMPRESSOR BLANKET (M12, M13, M14, M15, M16, M17, M18, M19, M20, M21, M22, M23)	M2	-	ASX130181DE
21	ZP24K5EPFV130	COMP,24000,208/230/60/1 (M6, M7, M8)	M3	-	ASX130241CF
21	ZP29K5EPFV130	COMP,29000,208/230/60/1 (M9, M10, M11)	M4	-	ASX130241CG
21	ZP49K5EPFV130	COMP,49400,208/230/60/1 (M19, M20, M21)	M5	-	ASX130241CH
21	ZP16K5EPFV130	COMPRESSOR 15500, 208/230/60/1 (M1, M2)	M6	-	ASX130301CF
21	ZP20K5EPFV130	COMPRESSOR 20000, 208/230/60/1 (M3, M4, M5)	M7	-	ASX130301CG
21	ZP34K5EPFV130	COMPRESSOR 34500, 208/230/60/1 (M12, M13, M14, M15)	M8	-	ASX130301CH
21	ZP39K5EPFV130	COMPRESSOR 39000, 208/230/60/1 (M16, M17, M18)	M9	-	ASX130361DF
21	ZP51K5EPFV130	COMPRESSOR 51000, 208/230/60/1 (M22, M23)	M10	-	ASX130361DG
31	0121R00005PDG	BASE PAN 26" (M1, M2, M3, M4, M5, M6, M7, M8, M9, M10, M11)	M11	-	ASX130361DJ
31	0121R00006PDG	BASE PAN 29" (M12, M13, M14, M15, M16, M17, M18, M19, M20, M21)	M12	-	ASX130421CF
31	0121R00007PDG	BASE PAN 35" (M22, M23)	M13	-	ASX130421CG
41	0151R00185	BASE VALVE 3/4" (M1, M2, M3, M4, M5, M6, M7, M8, M9, M10, M11)	M14	-	ASX130421CH
41	0151R00186	BASE VALVE 7/8" (M12, M13, M14, M15, M16, M17, M18, M19, M20, M21, M22, M23)	M15	-	ASX130421CJ
51	0151R00187	BASE VALVE 3/8"	M16	-	ASX130481CF
61	0162R00057	FILTER DRIER	M17	-	ASX130481CG
81	B1339533	COMPRESSOR GROMMET (QTY 4)	M18	-	ASX130481CH
91	M0221641	TF SHOULDER SCREW (QTY 4)	M19	-	ASX130601CE
101	0130M00082	LOW PRESSURE SWITCH	M20	-	ASX130601CF
111	0159R00000P	HARNESS, COMP SCROLL 130 36" (M1, M2, M3, M4, M5, M6, M7, M8, M9, M10, M11)	M21	-	ASX130601CG
111	0159R00001P	HARNESS, COMP SCROLL 130 42" (M12, M13, M14, M15, M16, M17, M18)	M22	-	ASX130611AC
111	0159R00017	HARNESS, COMP-SCROLL (M19, M20, M21, M22, M23)	M23	-	ASX130611AD
121	0201R00349	COIL TUBING ASSY (M19, M20, M21)			
121	0201R00385	COIL TUBING ASSY (M22, M23)			
121	0201R00458	COIL TUBING ASSY (M6, M7, M8, M9, M10, M11)			
121	0201R00472	COIL TUBING ASSY (M12, M13, M14, M15, M16, M17, M18)			
121	0201R00510	COIL TUBING ASSY (M1, M2, M3, M4, M5)			
NS	B1789851	FLOW CHECK PISTON KIT (M1, M2)			
NS	B1789861	FLOW CHECK PISTON KIT (M6, M7, M8)			
NS	B1789870	FLOW CHECK PISTON KIT (M9, M10, M11)			
NS	B1789876	FLOW CHECK PISTON KIT (M12, M13, M14, M15)			
NS	B1789880	FLOW CHECK PISTON KIT (M16, M17, M18)			
NS	B1789886	FLOW CHECK PISTON KIT (M19, M20, M21, M22, M23)			
NS	B1789859	KIT, FLOW CHECK PISTON (M3, M4, M5)			

# Cabinet Top and Side Panel Assembly



LOUVER PANEL ASSEMBLY

# Cabinet Top and Side Panel Assembly

Ref. Part No:	Ref. Part No:	Description:	Description:
<b>Image 1:</b>		<b>Image 1:</b>	
11	0121R00009PDG	VENTURI TOP PANEL 26" (M1, M2, M3, M4, M5, M6, M7, M8, M9, M10, M11)	131 0121R00195PLG LOUVERED SIDE PANEL [RT OF CNTL PNL] (M19, M20, M21)
11	0121R00011PDG	VENTURI TOP PANEL 29" (M12, M13, M14, M15, M16, M17, M18, M19, M20, M21)	131 0121R00196PLG LOUVERED SIDE PANEL [RT OF CNTL PNL] (M1, M2, M3, M4, M5, M6, M7, M8, M9, M10, M11)
11	0121R00013PDG	VENTURI TOP PANEL 35" (M22, M23)	131 0121R00247PLG LOUVERED SIDE PANEL [RT OF CNTL PNL] (M22, M23)
21	0152R00010	GRILLE, WIRE 26" TOP (M1, M2, M3, M4, M5, M6, M7, M8, M9, M10, M11)	
21	0152R00015	GRILLE, WIRE 29" TOP (M12, M13, M14, M15, M16, M17, M18, M19, M20, M21)	
21	0152R00016	GRILLE, WIRE 35" TOP (M22, M23)	
31	0131M00266	1/8 HP 8 PL PSC MOTOR (M3, M6)	
31	0131M00811	1/8 HP 8 PL PSC MOTOR (M1, M4, M7)	
31	0131M00018P	MOTOR, 1/4HP, 1SP, 6PL (M9)	
31	0131M00813	MOTOR, 1/4HP, 1SP, 6PL (M10)	
31	0131M00061	MOTOR, 1/4HP, 1SP, 8PL (M13, M17, M20)	
31	0131M00968	MOTOR, 1/4HP, 1SP, 8PL, AL (M15, M18, M21)	
31	0131M00807	MOTOR, 1/4HP, 1SP, 8PL, AL (M12, M14, M16, M19, M22)	
31	0131M00969	MOTOR, 1/8HP, 8PL, PSC (M2, M5, M8)	
31	0131M00954	MOTOR, OD, PSC, 1/4HP (M11)	
41	M0280801	HEX NUT (QTY 4)	
51	0150M00012	BLADE-FAN 20" CCW (M6, M7, M8)	
51	0150M00041	FAN BLADE (M9, M10)	
51	0150M00067	FAN BLADE (M11)	
51	0150M00018	FAN BLADE 20" (M1, M2, M3, M4, M5)	
51	0150M00066	FAN BLADE, 26" (M22, M23)	
51	B1086765	FAN BLADE, TYPE 3 (M12, M13, M14, M15, M16, M17, M18, M19, M20, M21)	
61	0161R00086	CAP, GRILL	
71	0163M00003P	SCREW #10 X 1/2, A, SLOT, SR, BLACK (QTY 6)	
81	0154R00006	GASKET, CONTROL PANEL	
91	0161R00000P	CONDUIT (M1, M2, M3, M4, M5, M6, M7, M8, M9, M10, M11)	
91	0161R00002P	CONDUIT (M12, M13, M14, M15, M16, M17, M18, M19, M20, M21)	
91	0161R00004P	CONDUIT (M22, M23)	
111	0121R00202PLG	LOUVERED SIDE PANEL [LT OF CNTL PNL] (M12, M13, M14, M15, M16, M17, M18)	
111	0121R00203PLG	LOUVERED SIDE PANEL [LT OF CNTL PNL] (M19, M20, M21)	
111	0121R00207PLG	LOUVERED SIDE PANEL [LT OF CNTL PNL] (M1, M2, M3, M4, M5, M6, M7, M8, M9, M10, M11)	
111	0121R00239PLG	LOUVERED SIDE PANEL [LT OF CNTL PNL] (M22, M23)	
121	0121R00198PLG	LOUVERED SIDE PANEL (M1, M2, M3, M4, M5, M6, M7, M8, M9, M10, M11)	
121	0121R00205PLG	LOUVERED SIDE PANEL (M12, M13, M14, M15, M16, M17, M18)	
121	0121R00206PLG	LOUVERED SIDE PANEL (M19, M20, M21)	
121	0121R00243PLG	LOUVERED SIDE PANEL (M22, M23)	
131	0121R00194PLG	LOUVERED SIDE PANEL [RT OF CNTL PNL] (M12, M13, M14, M15, M16, M17, M18)	

## Expanded Model Nomenclature

M1 - ASX130181DD
M2 - ASX130181DE
M3 - ASX130241CF
M4 - ASX130241CG
M5 - ASX130241CH
M6 - ASX130301CF
M7 - ASX130301CG
M8 - ASX130301CH
M9 - ASX130361DF
M10 - ASX130361DG
M11 - ASX130361DJ
M12 - ASX130421CF
M13 - ASX130421CG
M14 - ASX130421CH
M15 - ASX130421CJ
M16 - ASX130481CF
M17 - ASX130481CG
M18 - ASX130481CH
M19 - ASX130601CE
M20 - ASX130601CF
M21 - ASX130601CG
M22 - ASX130611AC
M23 - ASX130611AD