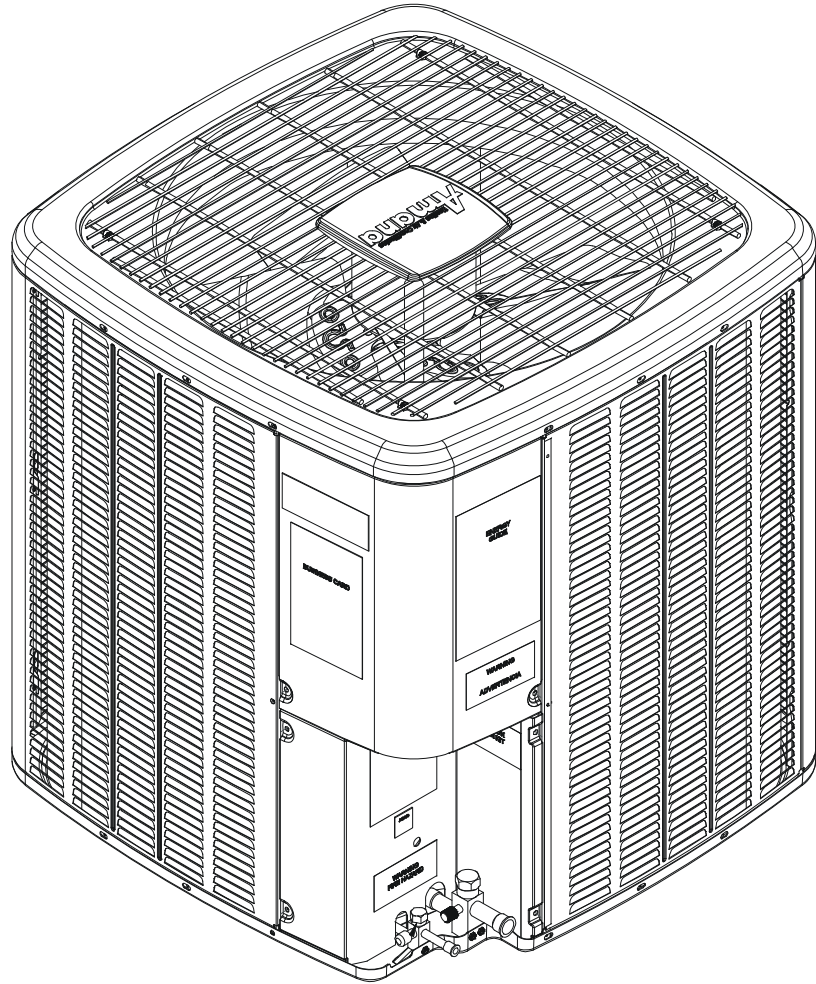


REPAIR PARTS

ASX13 R410A Remote Condensing Unit

ASX130181BA
ASX130181CA
ASX130181CB
ASX130181DA
ASX130241BA
ASX130241CA
ASX130241CB
ASX130241CC
ASX130301BA
ASX130301CA
ASX130301CB
ASX130301CC
ASX130361BA
ASX130361CA
ASX130361CB
ASX130361CC
ASX130421BA
ASX130421CA
ASX130421CB
ASX130421CC
ASX130481BA
ASX130481CA
ASX130481CB
ASX130481CC
ASX130601BA
ASX130601CA
ASX130601CB



This manual is to be used by qualified technicians only.

This manual replaces RP-550D.

© 2009, 2012 Goodman Manufacturing Company, L.P. ♦ 5151 San Felipe, Suite 500 ♦ Houston, TX 77056

Important Information

Index

Functional Parts List	3
Illustration and Parts	4 - 9

Views shown are for parts illustrations only, not servicing procedures.

Text Codes:

AR - As Required

NA - Not Available

NS - Not Shown

00000000 - See Note

QTY - Quantity Example (QTY 3) (If Quantity not shown, Quantity = 1)

M - Model Example (M1) (If M Code not shown, then part is used on all Models)

Expanded Model Nomenclature:

Example M1 - Model#1 M2 - Model#2 M3 - Model#3

Goodman Manufacturing Company, L.P. is not responsible for personal injury or property damage resulting from improper service. Review all service information before beginning repairs.

Warranty service must be performed by an authorized technician, using authorized factory parts. If service is required after the warranty expires, Goodman Manufacturing Company, L.P. also recommends contacting an authorized technician and using authorized factory parts.

Goodman Manufacturing Company, L.P. reserves the right to discontinue, or change at any time, specifications or designs without notice or without incurring obligations.

For assistance within the U.S.A. contact:
Consumer Affairs Department
Goodman Manufacturing Company, L.P.
7401 Security Way
Houston, Texas 77040
877-254-4729-Telephone
713-863-2382-Facsimile

For assistance outside the U.S.A. contact:
International Division
Goodman Manufacturing Company, L.P.
7401 Security Way
Houston, Texas 77040
713-861-2500-Telephone
713-863-2382-Facsimile

Functional Parts

Part

No: Description:

0151R00002P	3/4" SERVICE VALVE OPEN LEFT (M1, M2, M3, M4, M5, M6, M7, M8, M9, M10, M11, M12, M13, M14, M15, M16)
B12825171	3/8" SERVICE VALVE
0151R00003P	7/8" SERVICE VALVE OPEN LEFT (M17, M18, M19, M20, M21, M22, M23, M24, M25, M26, M27)
CAP050400440RT	CAP, 5/40 MFD/440V/DUAL RD (M9, M10, M11, M12)
CAP050450440RT	CAP, 5/45 MFD/440V/DUAL RD (M13, M14, M15, M16, M17, M18, M19, M20, M21, M22, M23, M24)
CAP050300440RS	CAPACITOR 5/30/440V (M1, M2, M3, M4)
CAP050350440RS	CAPACITOR 5/35/440V (M5, M6, M7, M8)
CAP050700440RT	CAPACITOR 5/70 MFD/440V/DUAL RD (M25, M26, M27)
543001001	COMFORT ALERT MODULE (M2, M3, M4, M6, M7, M8, M10, M11, M12, M14, M15, M16, M18, M19, M20, M22, M23, M24, M26, M27)
543001000	COMFORT ALERT MODULE (M1, M5, M9, M13, M17, M21, M25)
ZP16K5EPFV130	COMP,15500,208/230/60/1 (M1, M2, M3, M4)
ZP20K5EPFV130	COMP,20000,208/230/60/1 (M5, M6, M7, M8)
ZP24K5EPFV130	COMP,24000,208/230/60/1 (M9, M10, M11, M12)
ZP34K5EPFV130	COMP,34500,208/230/60/1 (M17, M18, M19, M20)
ZP49K5EPFV130	COMP,49400,208/230/60/1 (M25, M26, M27)
ZP31K5EPFV130	COMPRESSOR 31100, 208/230/60/1 (M13, M14, M15, M16)
ZP39K5EPFV130	COMPRESSOR 39000, 208/230/60/1 (M21, M22, M23, M24)
CONT1P025024V	CONTACTOR 25 AMP, 1P, 24V (M1, M2, M3, M4, M5, M6, M7, M8, M9, M10, M11, M12, M13, M14, M15, M16, M17, M18, M19, M20, M21, M22, M23, M24)
CONT1P030024V	CONTACTOR 30 AMP, 1P, 24V (M25, M26, M27)
0150M00018	FAN BLADE 20" (M1, M2, M3, M4, M5, M6, M7, M8)
0150M00012	FAN BLADE 20" CCW (M9, M10, M11, M12)
B1086764	FAN BLADE TYPE 2 (M13, M14, M15, M16)
B1086765	FAN BLADE, TYPE 3 (M17, M18, M19, M20, M21, M22, M23, M24, M25, M26, M27)
0130M00011P	LOW AMBIENT THERMOSTAT, SPDT (M1, M2, M3, M5, M6, M7, M9, M10, M11, M13, M14, M15, M17, M18, M19, M21, M22, M23, M25, M26)
0130R00001	LOW PRESSURE SWITCH (M1, M2, M3, M5, M6, M7, M9, M10, M11, M13, M14, M15, M17, M18, M19, M21, M22, M23)
0130M00082	LOW PRESSURE SWITCH (M25, M26, M27)

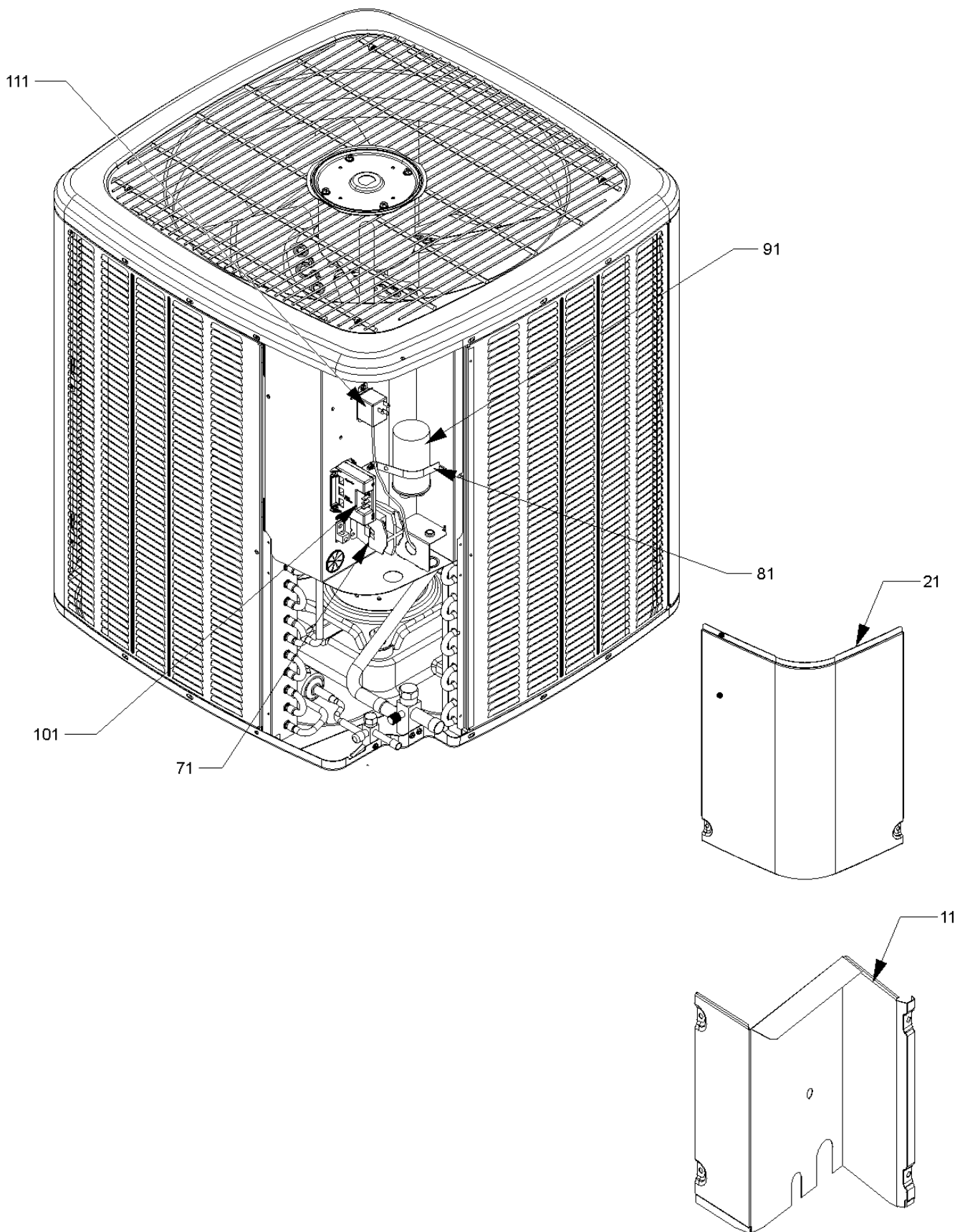
SPECIAL PARTS

0161R00008P	AMANA LOGO CAP
0161R00010P	AMANA NAMEPLATE

Expanded Model Nomenclature

M1 - ASX130181BA
M2 - ASX130181CA
M3 - ASX130181CB
M4 - ASX130181DA
M5 - ASX130241BA
M6 - ASX130241CA
M7 - ASX130241CB
M8 - ASX130241CC
M9 - ASX130301BA
M10 - ASX130301CA
M11 - ASX130301CB
M12 - ASX130301CC
M13 - ASX130361BA
M14 - ASX130361CA
M15 - ASX130361CB
M16 - ASX130361CC
M17 - ASX130421BA
M18 - ASX130421CA
M19 - ASX130421CB
M20 - ASX130421CC
M21 - ASX130481BA
M22 - ASX130481CA
M23 - ASX130481CB
M24 - ASX130481CC
M25 - ASX130601BA
M26 - ASX130601CA
M27 - ASX130601CB

Control Cover / Control Box



Control Cover / Control Box

Ref. Part No:	No:	Description:	Ref. Part No:	No:	Description:
<i>Image 1:</i>			Expanded Model Nomenclature		
11	0121R00316	LOWER ACCESS PANEL (M25, M26, M27)	M1	-	ASX130181BA
11	0121R00319	LOWER ACCESS PANEL (M17, M18, M19, M20, M21, M22, M23, M24)	M2	-	ASX130181CA
11	0121R00325	LOWER ACCESS PANEL (M13, M14, M15, M16)	M3	-	ASX130181CB
11	0121R00326	LOWER ACCESS PANEL (M1, M2, M3, M4, M5, M6, M7, M8, M9, M10, M11, M12)	M4	-	ASX130181DA
21	0121R00053PDG	CONTROL COVER	M5	-	ASX130241BA
71	CONT1P025024V	CONTACTOR 25 AMP, 1P, 24V (M1, M2, M3, M4, M5, M6, M7, M8, M9, M10, M11, M12, M13, M14, M15, M16, M17, M18, M19, M20, M21, M22, M23, M24)	M6	-	ASX130241CA
71	CONT1P030024V	CONTACTOR 30 AMP, 1P, 24V (M25, M26, M27)	M7	-	ASX130241CB
81	4400065	CAPACITOR STRAP	M8	-	ASX130241CC
91	CAP050400440RT	CAP, 5/40 MFD/440V/DUAL RD (M9, M10, M11, M12)	M9	-	ASX130301BA
91	CAP050450440RT	CAP, 5/45 MFD/440V/DUAL RD (M13, M14, M15, M16, M17, M18, M19, M20, M21, M22, M23, M24)	M10	-	ASX130301CA
91	CAP050300440RS	CAPACITOR 5/30/440V (M1, M2, M3, M4)	M11	-	ASX130301CB
91	CAP050350440RS	CAPACITOR 5/35/440V (M5, M6, M7, M8)	M12	-	ASX130301CC
91	CAP050700440RT	CAPACITOR 5/70 MFD/440V/DUAL RD (M25, M26, M27)	M13	-	ASX130361BA
101	543001000	COMFORT ALERT MODULE (M1, M5, M9, M13, M17, M21, M25)	M14	-	ASX130361CA
101	543001001	COMFORT ALERT MODULE (M2, M3, M4, M6, M7, M8, M10, M11, M12, M14, M15, M16, M18, M19, M20, M22, M23, M24, M26, M27)	M15	-	ASX130361CB
111	0130M00011P	LOW AMBIENT THERMOSTAT, SPDT (M1, M2, M3, M5, M6, M7, M9, M10, M11, M13, M14, M15, M17, M18, M19, M21, M22, M23, M25, M26)	M16	-	ASX130361CC
NS	0161R00010P	AMANA NAMEPLATE	M17	-	ASX130421BA
			M18	-	ASX130421CA
			M19	-	ASX130421CB
			M20	-	ASX130421CC
			M21	-	ASX130481BA
			M22	-	ASX130481CA
			M23	-	ASX130481CB
			M24	-	ASX130481CC
			M25	-	ASX130601BA
			M26	-	ASX130601CA
			M27	-	ASX130601CB

Compressor / Tubing Assembly

Image 1

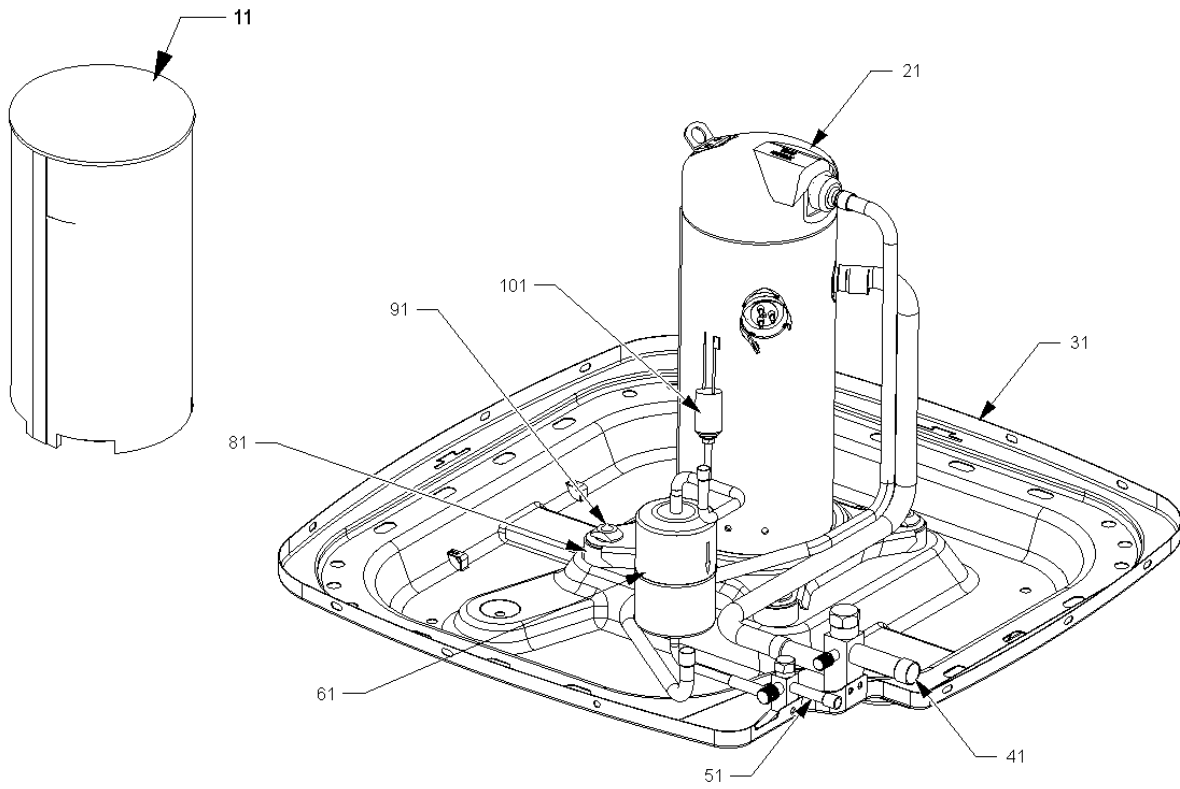
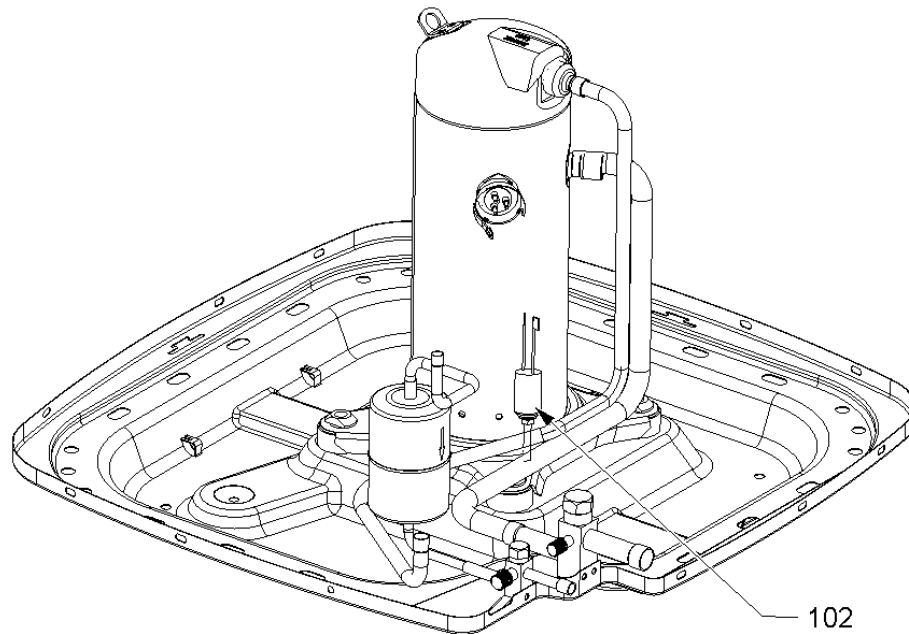


Image 2



Compressor / Tubing Assembly

**Ref. Part
No: No:**

Description:

**Ref. Part
No: No:**

Description:

Image 1:

11	B1488807	COMPRESSOR SOUND BLAN (M17, M18, M19, M20, M21, M22, M23, M24, M25, M26, M27)
11	B1488810	COMPRESSOR SOUND BLAN (M1, M2, M3, M4, M5, M6, M7, M8, M9, M10, M11, M12, M13, M14, M15, M16)
21	ZP16K5EPFV130	COMP,15500,208/230/60/1 (M1, M2, M3, M4)
21	ZP20K5EPFV130	COMP,20000,208/230/60/1 (M5, M6, M7, M8)
21	ZP24K5EPFV130	COMP,24000,208/230/60/1 (M9, M10, M11, M12)
21	ZP34K5EPFV130	COMP,34500,208/230/60/1 (M17, M18, M19, M20)
21	ZP49K5EPFV130	COMP,49400,208/230/60/1 (M25, M26, M27)
21	ZP31K5EPFV130	COMPRESSOR 31100, 208/230/60/1 (M13, M14, M15, M16)
21	ZP39K5EPFV130	COMPRESSOR 39000, 208/230/60/1 (M21, M22, M23, M24)
31	0121R00005PDG	BASE PAN 26" (M1, M2, M3, M4, M5, M6, M7, M8, M9, M10, M11, M12)
31	0121R00006PDG	BASE PAN 29" (M13, M14, M15, M16, M17, M18, M19, M20, M21, M22, M23, M24, M25, M26, M27)
41	0151R00002P	3/4" SERVICE VALVE OPEN LEFT (M1, M2, M3, M4, M5, M6, M7, M8, M9, M10, M11, M12, M13, M14, M15, M16)
41	0151R00003P	7/8" SERVICE VALVE OPEN LEFT (M17, M18, M19, M20, M21, M22, M23, M24, M25, M26, M27)
51	B12825171	3/8" SERVICE VALVE
61	0162R00009	FILTER DRIER
81	B1339533	COMPRESSOR GROMMET (QTY 4)
91	M0221641	TF SHOULDER SCREW (QTY 4)
101	0130M00082	LOW PRESSURE SWITCH (M25, M26, M27)
101	0130R00001	LOW PRESSURE SWITCH (M1, M2, M5, M6, M9, M10, M13, M14, M17, M18, M21, M22)
NS	0159R00000P	COMPRESSOR SCROLL HARNESS (M1, M2, M3, M4, M5, M6, M7, M8, M9, M10, M11, M12)
NS	0159R00001P	COMPRESSOR SCROLL HARNESS (M13, M14, M15, M16, M17, M18, M19, M20, M21, M22, M23, M24)
NS	0159R00002P	COMPRESSOR SCROLL HARNESS (M25, M26, M27)
NS	B1789886	FLOW CHECK PISTON KIT (M25, M26, M27)
NS	B1789851	FLOW CHECK PISTON KIT .051 (M1, M2, M3, M4)
NS	B1789857	FLOW CHECK PISTON KIT .057 (M5, M6, M7, M8)
NS	B1789861	FLOW CHECK PISTON KIT .061 (M9, M10, M11, M12)
NS	B1789870	FLOW CHECK PISTON KIT .070 (M13, M14, M15, M16)
NS	B1789876	FLOW CHECK PISTON KIT .076 (M17, M18, M19, M20)
NS	B1789880	FLOW CHECK PISTON KIT .080 (M21, M22, M23, M24)

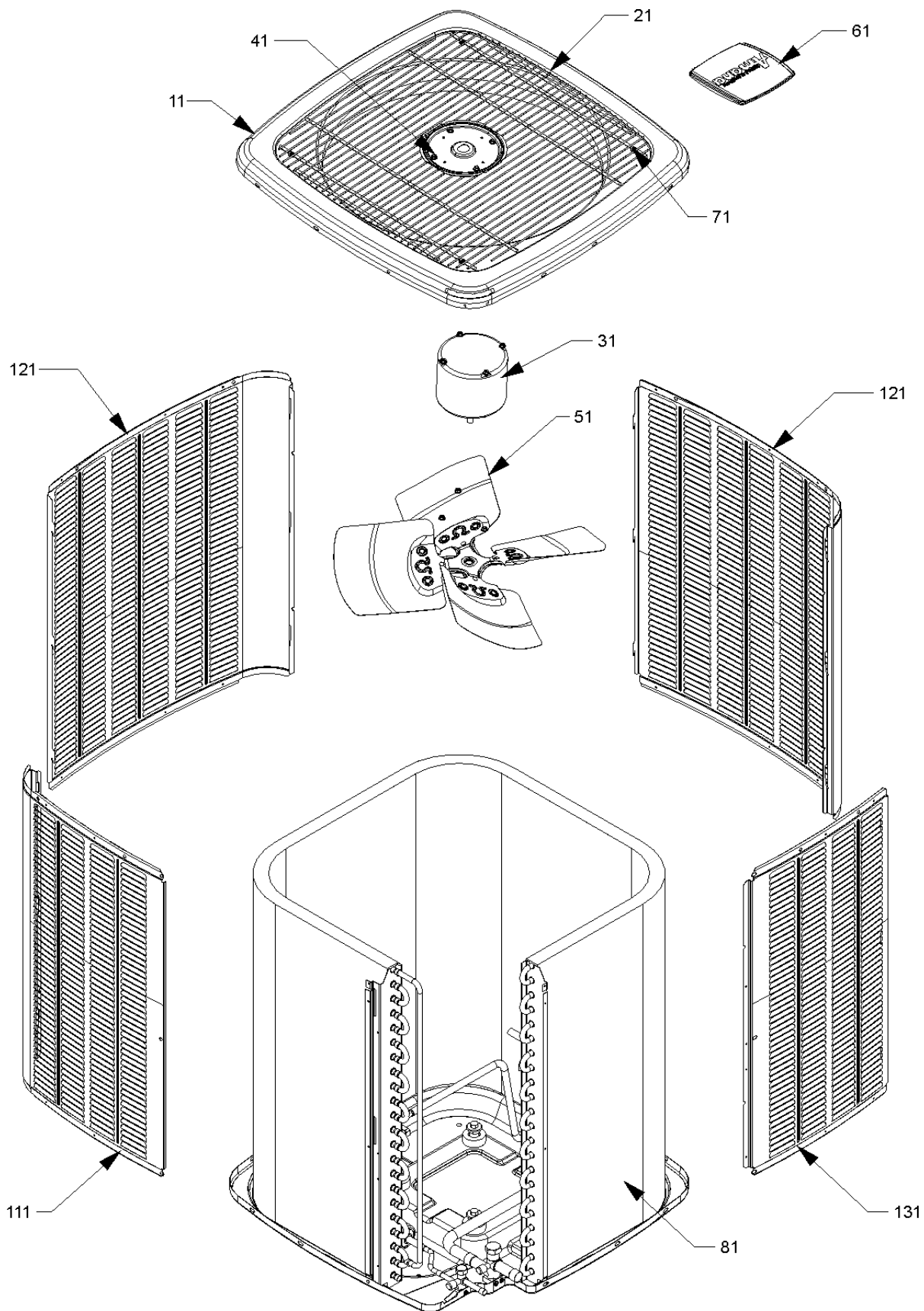
Expanded Model Nomenclature

M1 - ASX130181BA
M2 - ASX130181CA
M3 - ASX130181CB
M4 - ASX130181DA
M5 - ASX130241BA
M6 - ASX130241CA
M7 - ASX130241CB
M8 - ASX130241CC
M9 - ASX130301BA
M10 - ASX130301CA
M11 - ASX130301CB
M12 - ASX130301CC
M13 - ASX130361BA
M14 - ASX130361CA
M15 - ASX130361CB
M16 - ASX130361CC
M17 - ASX130421BA
M18 - ASX130421CA
M19 - ASX130421CB
M20 - ASX130421CC
M21 - ASX130481BA
M22 - ASX130481CA
M23 - ASX130481CB
M24 - ASX130481CC
M25 - ASX130601BA
M26 - ASX130601CA
M27 - ASX130601CB

Image 2:

102	0130R00001	LOW PRESSURE SW-CUTOUT (M3, M7, M11, M15, M19, M23)
-----	------------	---

Cabinet Top / Side Panels / Condenser



Cabinet Top / Side Panels / Condenser

Ref. Part No: No:	Description:	Ref. Part No: No:	Description:
-------------------	--------------	-------------------	--------------

Image 1:

11	0121R00009PDG	VENTURI TOP PANEL 26" (M1, M2, M3, M4, M5, M6, M7, M8, M9, M10, M11, M12)
11	0121R00011PDG	VENTURI TOP PANEL 29" (M13, M14, M15, M16, M17, M18, M19, M20, M21, M22, M23, M24, M25, M26, M27)
21	0152R00010	GRILLE, WIRE 26" TOP (M1, M2, M3, M4, M5, M6, M7, M8, M9, M10, M11, M12)
21	0152R00011	GRILLE, WIRE 29" TOP (M13, M14, M15, M16, M17, M18, M19, M20, M21, M22, M23, M24, M25, M26, M27)
31	0131M00061	COND MOTOR 1/4 HP, 1 SP, 8 PL (M20, M24, M27)
31	0131M00015P	COND MOTOR 1/4 HP, 2 SP, 8 PL (M17, M18, M19, M21, M22, M23, M25, M26)
31	0131M00016P	COND MOTOR 1/6 HP, 1 SP, 8 PL (M16)
31	0131M00266	COND MOTOR 1/8 HP 8 PL PSC (M4, M8, M12)
31	0131M00017P	MOTOR, FAN 1/6 HP, 8 PL, 2 SP (M1, M2, M3, M5, M6, M7, M9, M10, M11, M13, M14, M15)
41	M0280801	HEX NUT (QTY 4)
51	0150M00018	FAN BLADE 20" (M1, M2, M3, M4, M5, M6, M7, M8)
51	0150M00012	FAN BLADE 20" CCW (M9, M10, M11, M12)
51	B1086764	FAN BLADE TYPE 2 (M13, M14, M15, M16)
51	B1086765	FAN BLADE, TYPE 3 (M17, M18, M19, M20, M21, M22, M23, M24, M25, M26, M27)
61	0161R00008P	AMANA LOGO CAP
71	0163M00003P	SCREW #10 X 1/2, A, SLOT, SR, BLACK (QTY 4)
81	0201R00236	TUBING ASSY, COND COIL (M25, M26, M27)
81	0201R00242	TUBING ASSY, COND COIL (M17, M18, M19, M20, M21, M22, M23, M24)
81	0201R00269	TUBING ASSY, COND COIL (M1, M2, M3, M4, M5, M6, M7, M8)
81	0201R00271	TUBING ASSY, COND COIL (M9, M10, M11, M12)
81	0201R00272	TUBING ASSY, COND COIL (M13, M14, M15, M16)
111	0121R00209PLGB	LOUVER, SIDE PANEL [LT OF CNTL PNL] (M13, M14, M15, M16)
111	0121R00202PLGB	LOUVERED SIDE PANEL [LT OF CNTL PNL] (M17, M18, M19, M20, M21, M22, M23, M24)
111	0121R00207PLGB	LOUVERED SIDE PANEL [LT OF CNTL PNL] (M1, M2, M3, M4, M5, M6, M7, M8, M9, M10, M11, M12)
121	0121R00210PLGB	LOUVER, SIDE PANEL (M13, M14, M15, M16)
121	0121R00198PLGB	LOUVERED SIDE PANEL (M1, M2, M3, M4, M5, M6, M7, M8, M9, M10, M11, M12)
121	0121R00205PLGB	LOUVERED SIDE PANEL (M17, M18, M19, M20, M21, M22, M23, M24)
121	0121R00206PLGB	LOUVERED SIDE PANEL (M25, M26, M27)
131	0121R00211PLG	LOUVER, SIDE PANEL [RT OF CNTL PNL] (M13, M14, M15, M16)
131	0121R00194PLG	LOUVERED SIDE PANEL [RT OF CNTL PNL] (M17, M18, M19, M20, M21, M22, M23, M24)
131	0121R00195PLG	LOUVERED SIDE PANEL [RT OF CNTL PNL] (M25, M26, M27)
131	0121R00196PLG	LOUVERED SIDE PANEL [RT OF CNTL PNL] (M1, M2, M3, M4, M5, M6, M7, M8, M9, M10, M11, M12)

Image 1:

NS	0161R00000P	CONDUIT (M1, M2, M3, M4, M5, M6, M7, M8, M9, M10, M11, M12)
NS	0161R00002P	CONDUIT (M13, M14, M15, M16, M17, M18, M19, M20, M21, M22, M23, M24, M25, M26, M27)

Expanded Model Nomenclature

M1 - ASX130181BA
M2 - ASX130181CA
M3 - ASX130181CB
M4 - ASX130181DA
M5 - ASX130241BA
M6 - ASX130241CA
M7 - ASX130241CB
M8 - ASX130241CC
M9 - ASX130301BA
M10 - ASX130301CA
M11 - ASX130301CB
M12 - ASX130301CC
M13 - ASX130361BA
M14 - ASX130361CA
M15 - ASX130361CB
M16 - ASX130361CC
M17 - ASX130421BA
M18 - ASX130421CA
M19 - ASX130421CB
M20 - ASX130421CC
M21 - ASX130481BA
M22 - ASX130481CA
M23 - ASX130481CB
M24 - ASX130481CC
M25 - ASX130601BA
M26 - ASX130601CA
M27 - ASX130601CB