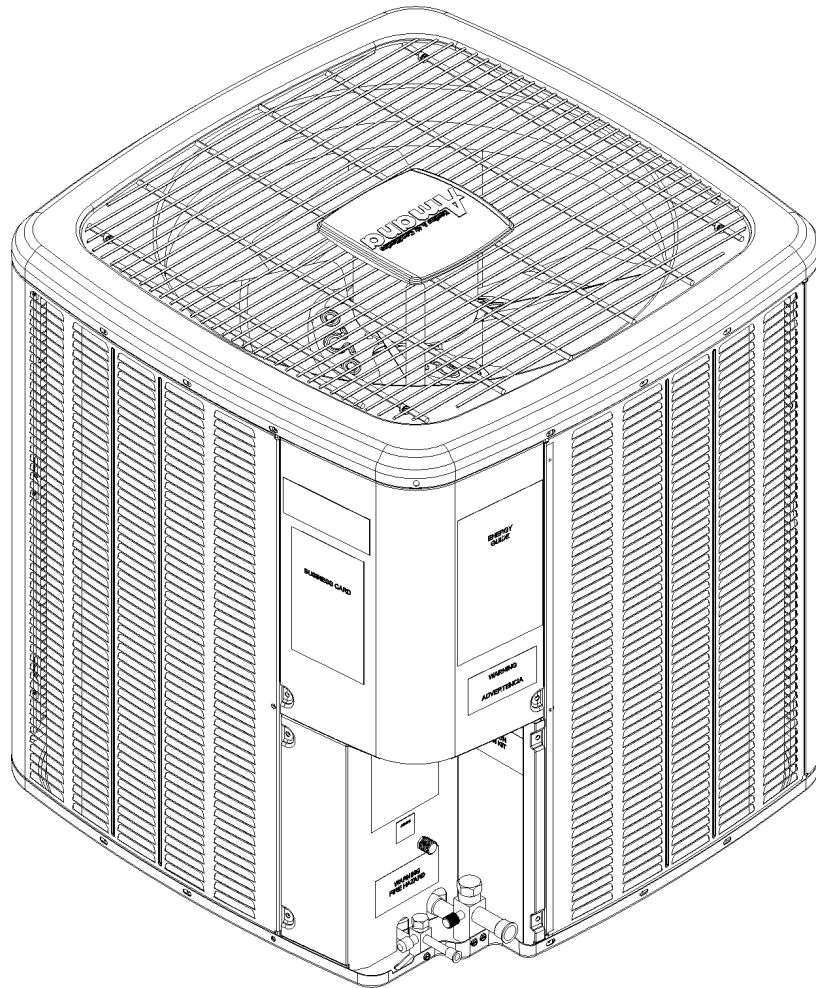


## ASH13 Remote Heat Pump Unit

ASH130181AA  
ASH130181AB  
ASH130181AC  
ASH130241AA  
ASH130241AB  
ASH130241AC  
ASH130241AD  
ASH130301AA  
ASH130301AB  
ASH130301AC  
ASH130301AD  
ASH130361AA  
ASH130361AB  
ASH130361AC  
ASH130361AD  
ASH130601AC  
ASH130421AA  
ASH130421AB  
ASH130421AC  
ASH130481AA  
ASH130481AB  
ASH130481AC  
ASH130601AA  
ASH130601AB



Amana is a trademark of Maytag Corporation and used under license to Goodman Company, L.P. All rights reserved.

This manual is to be used by qualified technicians only.

This manual replaces RP-392D.

© 2006-2008 Goodman Company, L.P. ♦ 5151 San Felipe, Suite 500 ♦ Houston, TX 77056

# Important Information

---

## Index

Functional Parts List .....	3
Illustration and Parts .....	4 - 9

*Views shown are for parts illustrations only, not servicing procedures.*

Rev. E: Changed fan blade p/n B1086775S to 0150M00006S.

### Text Codes:

AR - As Required

NA - Not Available

NS - Not Shown

00000000 - See Note

QTY - Quantity Example (QTY 3) (If Quantity not shown, Quantity = 1)

M - Model Example (M1) (If M Code not shown, then part is used on all Models)

### Expanded Model Nomenclature:

Example M1 - Model#1 M2 - Model#2 M3 - Model#3
---

Goodman Company, L.P. is not responsible for personal injury or property damage resulting from improper service. Review all service information before beginning repairs.

Warranty service must be performed by an authorized technician, using authorized factory parts. If service is required after the warranty expires, Goodman Company, L.P. also recommends contacting an authorized technician and using authorized factory parts.

Goodman Company, L.P. reserves the right to discontinue, or change at any time, specifications or designs without notice or without incurring obligations.

For assistance within the U.S.A. contact:

Consumer Affairs Department

Goodman Company, L.P.

7401 Security Way

Houston, Texas 77040

877-254-4729-Telephone

713-863-2382-Facsimile

For assistance outside the U.S.A. contact:

International Division

Goodman Company, L.P.

7401 Security Way

Houston, Texas 77040

713-861-2500-Telephone

713-863-2382-Facsimile

# Functional Parts

## Part

## No: Description:

B1226207	ACCUMULATOR (M12, M13, M14, M15, M16, M17, M18, M19, M20, M21, M22, M23)
B1226206	ACCUMULATOR (M1, M2, M3, M4, M5, M6, M7, M8, M9, M10, M11)
CAP050300370RSS	CAPACITOR 5/30/370V (M1, M2, M3)
CAP050350370RSS	CAPACITOR 5/35/370V (M4, M5, M6, M7, M8, M9, M10, M11)
CAP050450370RSS	CAPACITOR 5/45/370V (M12, M13, M14, M15)
CAP050550370RTS	CAPACITOR 5/55/370V (M16, M17, M18, M19, M20, M21)
CAP050800370RTS	CAPACITOR 5/80/370V (M22, M23)
543001200	COMFORT ALERT MODULE
ZR16K4PFV930	COMPRESSOR 16500, 208/230/60/1 (M1, M2, M3)
ZR22K4PFV930	COMPRESSOR 22000, 208/230/60/1 (M4, M5, M6, M7)
ZR24K4PFV930	COMPRESSOR 24000, 208/230/60/1 (M8, M9, M10, M11)
ZR30K3PFV930	COMPRESSOR 31100, 208/230/60/1 (M12, M13, M14, M15)
ZR36K3PFV930	COMPRESSOR 36900, 208/230/60/1 (M16, M17, M18)
ZR40K3PFV930	COMPRESSOR 40600, 208/230/60/1 (M19, M20, M21)
ZR52K3PFV930	COMPRESSOR 52000, 208/230/60/1 (M22, M23)
0131M00015PS	COND MOTOR 1/4 HP, 2 SP, 8 PL (M12, M13, M14, M15, M16, M17, M18, M19, M20, M21)
0131M00017PS	COND MOTOR 1/6 HP, 2 SP, 8 PL (M1, M2, M3, M4, M5, M6, M7, M8, M9, M10, M11)
0131M00013PS	COND MOTOR 1/6 HP, 2 SP, 8 PL (M22, M23)
CONT1P030024VS	CONTACTOR 30 AMP, 1P, 24V (M12, M13, M14, M15, M16, M17, M18, M19, M20, M21)
CONT2P030024VS	CONTACTOR 30 AMP, 2P, 24V (M1, M2, M3, M4, M5, M6, M7, M8, M9, M10, M11)
CONT2P040024VS	CONTACTOR 40 AMP, 2P, 24V (M22, M23)
B1360719	CUT-OUT SWITCH, LOW PRESSURE
PCBDM101S	DEFROST CONTROL BOARD
B1370803	DEFROST THERMOSTAT
0130M00011P	LOW AMBIENT THERMOSTAT, SPDT
10135604	RELAY

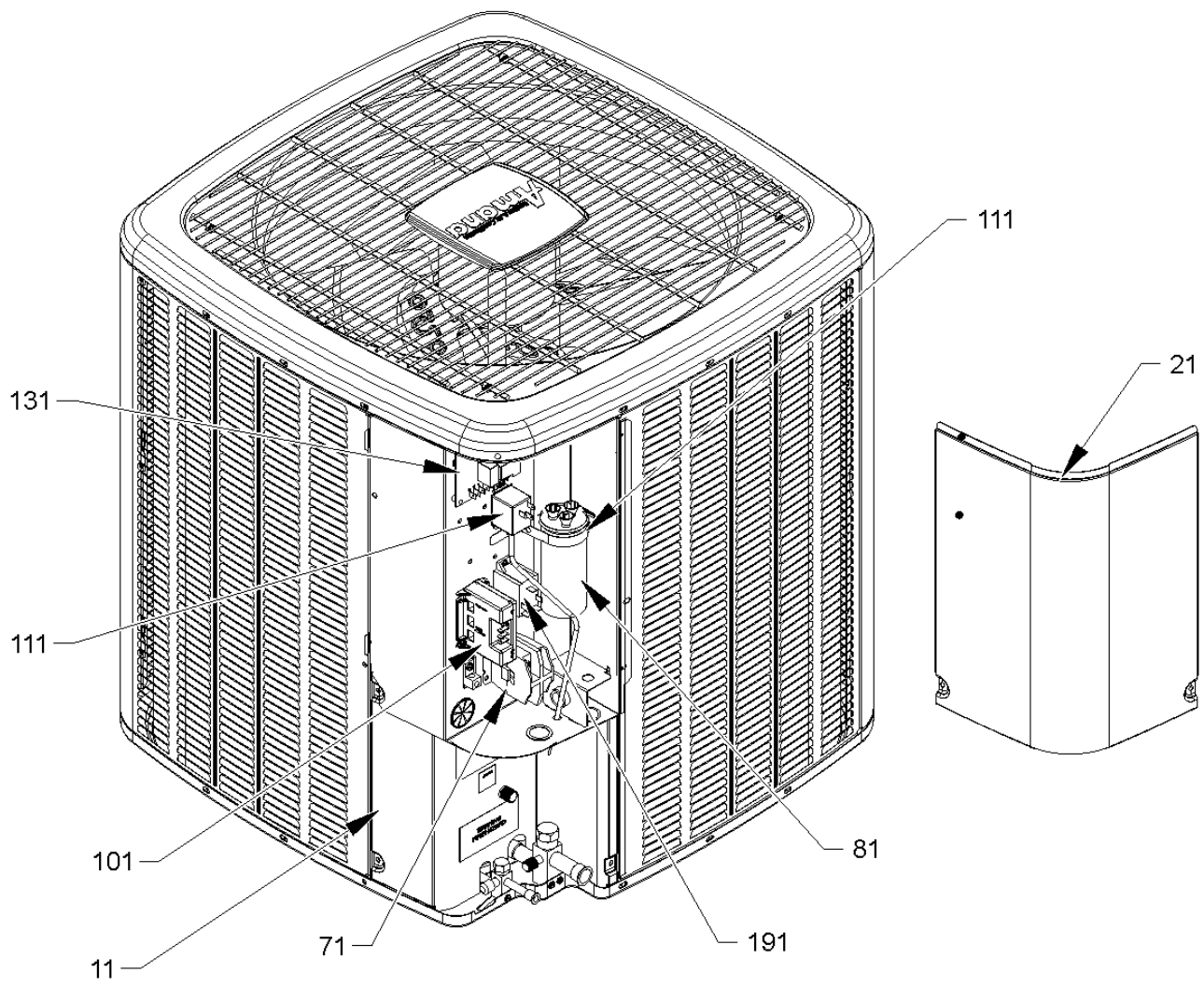
## SPECIAL PARTS

0161R00008P	AMANA LOGO CAP
0161R00014	AMANA NAMEPLATE (M1, M2, M4, M5, M8, M9, M12, M13, M16, M17, M19, M20, M22, M23)
0161R00010P	AMANA NAMEPLATE (M3, M6, M7, M10, M11, M14, M15, M18, M21)
IO-259F	INSTALLATION INSTRUCTIONS (M2, M3, M5, M6, M7, M11, M13, M14, M15, M17, M18, M20, M21)

## Expanded Model Nomenclature

M1 - ASH130181AA
M2 - ASH130181AB
M3 - ASH130181AC
M4 - ASH130241AA
M5 - ASH130241AB
M6 - ASH130241AC
M7 - ASH130241AD
M8 - ASH130301AA
M9 - ASH130301AB
M10 - ASH130301AC
M11 - ASH130301AD
M12 - ASH130361AA
M13 - ASH130361AB
M14 - ASH130361AC
M15 - ASH130361AD
M16 - ASH130421AA
M17 - ASH130421AB
M18 - ASH130421AC
M19 - ASH130481AA
M20 - ASH130481AB
M21 - ASH130481AC
M22 - ASH130601AA
M23 - ASH130601AB

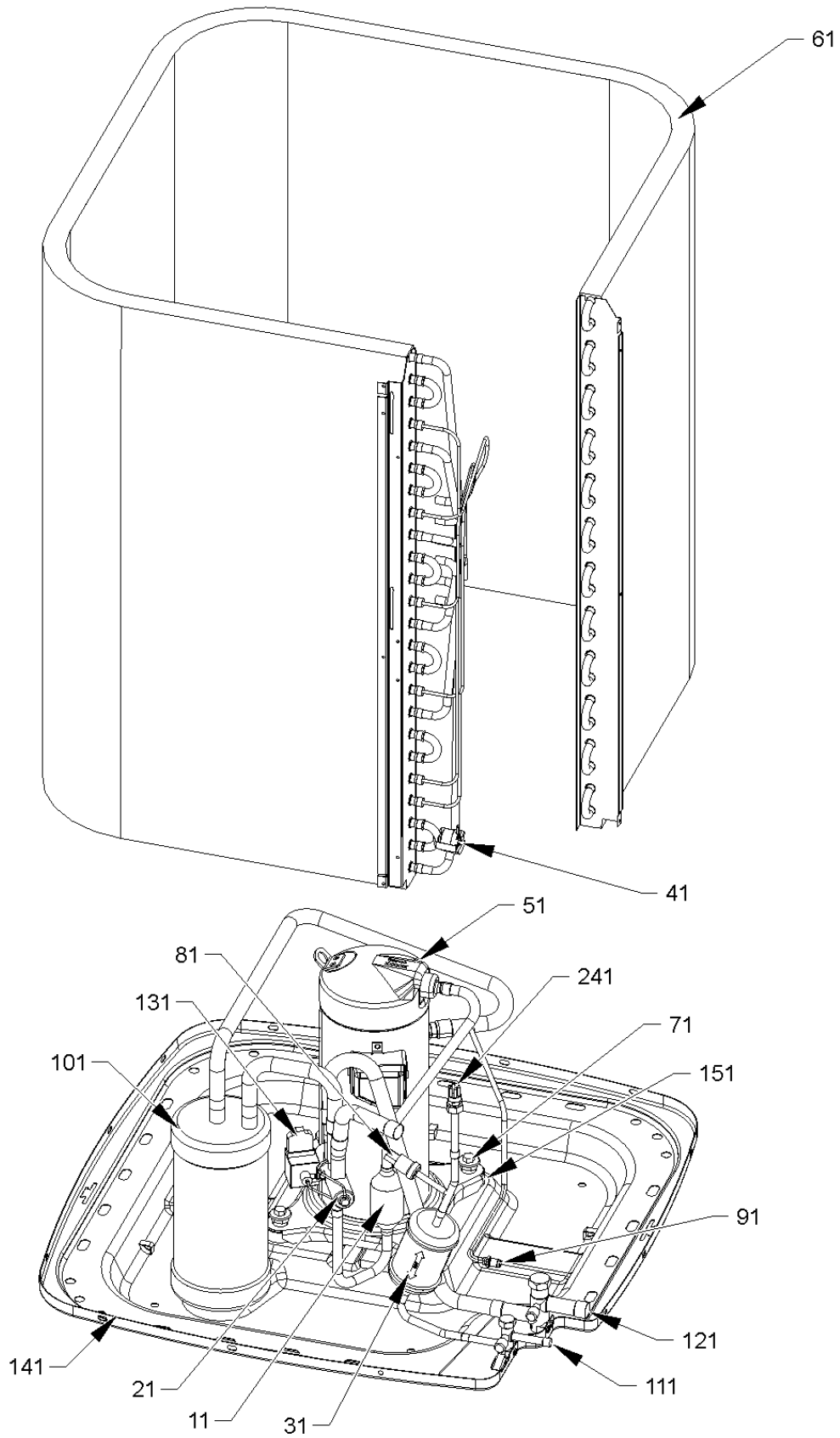
# Control Cover/Control Box



# Control Cover/Control Box

Ref. Part No:	No:	Description:	Ref. Part No:	No:	Description:
<i>Image 1:</i>			Expanded Model Nomenclature		
11	4400201PDG	LOWER ACCESS PANEL (M1, M2, M3, M4, M5, M6, M7, M16, M17, M18)	M1 -	ASH130181AA	
11	4400202PDG	LOWER ACCESS PANEL (M8, M9, M10, M11, M19, M20, M21, M22, M23)	M2 -	ASH130181AB	
11	4400205PDG	LOWER ACCESS PANEL (M12, M13, M14, M15)	M3 -	ASH130181AC	
21	0121R00053PDG	CONTROL COVER	M4 -	ASH130241AA	
71	CONT1P030024VS	CONTACTOR 30 AMP, 1P, 24V (M12, M13, M14, M15, M16, M17, M18, M19, M20, M21)	M5 -	ASH130241AB	
71	CONT2P030024VS	CONTACTOR 30 AMP, 2P, 24V (M1, M2, M3, M4, M5, M6, M7, M8, M9, M10, M11)	M6 -	ASH130241AC	
71	CONT2P040024VS	CONTACTOR 40 AMP, 2P, 24V (M22, M23)	M7 -	ASH130241AD	
81	CAP050300370RSS	CAPACITOR 5/30/370V (M1, M2, M3)	M8 -	ASH130301AA	
81	CAP050350370RSS	CAPACITOR 5/35/370V (M4, M5, M6, M7, M8, M9, M10, M11)	M9 -	ASH130301AB	
81	CAP050450370RSS	CAPACITOR 5/45/370V (M12, M13, M14, M15)	M10 -	ASH130301AC	
81	CAP050550370RTS	CAPACITOR 5/55/370V (M16, M17, M18, M19, M20, M21)	M11 -	ASH130301AD	
81	CAP050800370RTS	CAPACITOR 5/80/370V (M22, M23)	M12 -	ASH130361AA	
91	4400065	CAPACITOR STRAP	M13 -	ASH130361AB	
101	543001200	COMFORT ALERT MODULE	M14 -	ASH130361AC	
111	0130M00011P	LOW AMBIENT THERMOSTAT, SPDT	M15 -	ASH130361AD	
131	PCBDM101S	DEFROST CONTROL BOARD	M16 -	ASH130421AA	
191	10135604	RELAY	M17 -	ASH130421AB	
NS	0161R00010P	AMANA NAMEPLATE (M3, M6, M7, M10, M11, M14, M15, M18, M21)	M18 -	ASH130421AC	
NS	0161R00014	AMANA NAMEPLATE (M1, M2, M4, M5, M8, M9, M12, M13, M16, M17, M19, M20, M22, M23)	M19 -	ASH130481AA	
			M20 -	ASH130481AB	
			M21 -	ASH130481AC	
			M22 -	ASH130601AA	
			M23 -	ASH130601AB	

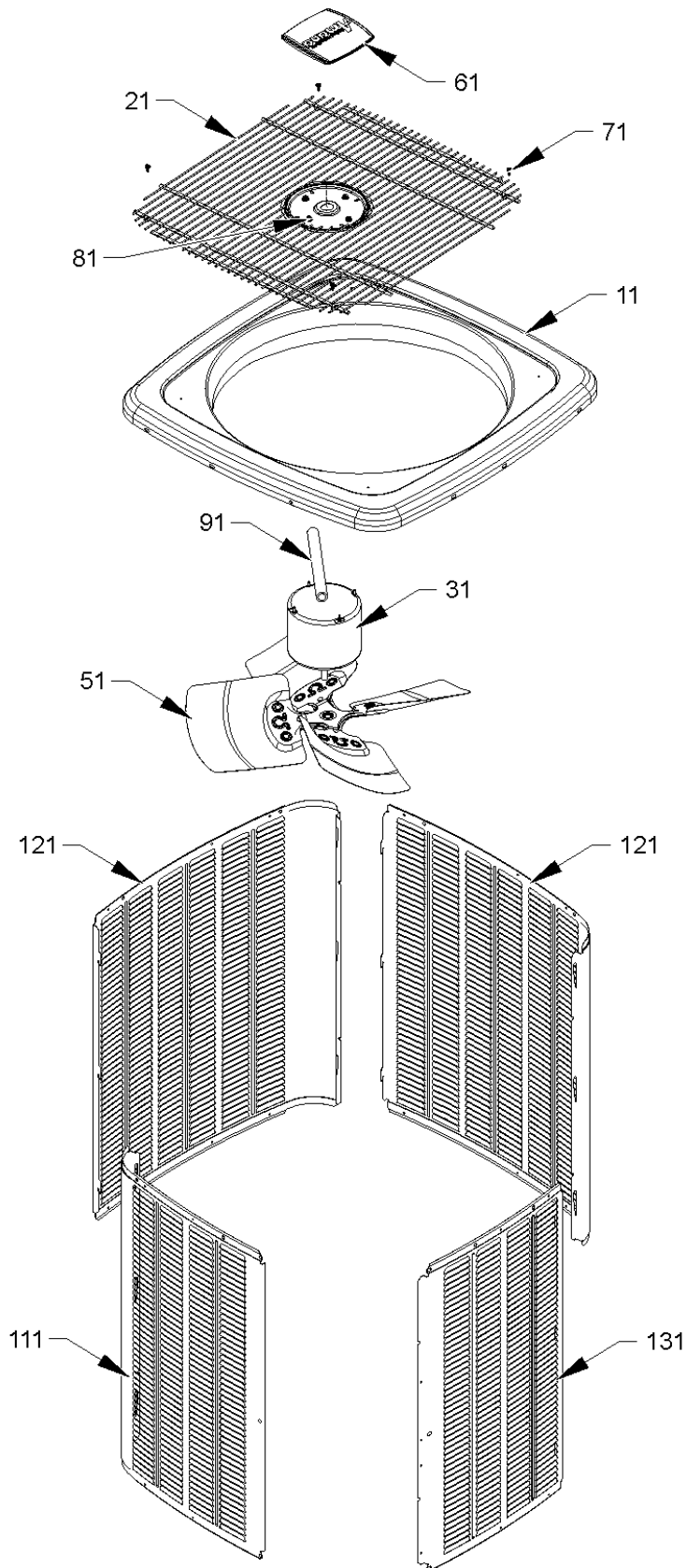
# Coil/Compressor/Tubing



# Coil/Compressor/Tubing

Ref. Part No:	No:	Description:	Ref. Part No:	No:	Description:
<i>Image 1:</i>			<i>Image 1:</i>		
11	B1219301	MUFFLER 1/2 X 1/2 (M7, M11, M15)	241	0162M00018PS	FLOWRATOR .065 (M19, M20, M21)
21	B1227315S	REVERSING VALVE (M1, M2, M3, M4, M5, M6, M7)	241	0162M00038	FLOWRATOR .076 (M22, M23)
21	B1227316S	REVERSING VALVE (M8, M9, M10, M11)	NS	B1488806S	COMPRESSOR SOUND BLANKET (M22, M23)
21	B1227317S	REVERSING VALVE (M12, M13, M14, M15, M16, M17, M18, M19, M20, M21, M22, M23)	NS	B1488807S	COMPRESSOR SOUND BLANKET (M12, M13, M14, M15, M16, M17, M18)
31	B1219204	BI-FLOW FILTER DRIER, STEEL	NS	B1488810S	COMPRESSOR SOUND BLANKET (M1, M2, M3, M4, M5, M6, M7, M8, M9, M10, M11)
41	B1370803	DEFROST THERMOSTAT	NS	B1488811S	COMPRESSOR SOUND BLANKET (M19, M20, M21)
51	ZR16K4PFV930	COMPRESSOR 16500, 208/230/60/1 (M1, M2, M3)	NS	B1789852	FLOW CHECK PISTON KIT (M1, M2, M3)
51	ZR22K4PFV930	COMPRESSOR 22000, 208/230/60/1 (M4, M5, M6, M7)	NS	B1789862	FLOW CHECK PISTON KIT (M4, M5, M6, M7)
51	ZR24K4PFV930	COMPRESSOR 24000, 208/230/60/1 (M8, M9, M10, M11)	NS	B1789865	FLOW CHECK PISTON KIT (M8, M9, M10)
51	ZR30K3PFV930	COMPRESSOR 31100, 208/230/60/1 (M12, M13, M14, M15)	NS	B1789873	FLOW CHECK PISTON KIT (M12, M13, M14, M15)
51	ZR36K3PFV930	COMPRESSOR 36900, 208/230/60/1 (M16, M17, M18)	NS	B1789882	FLOW CHECK PISTON KIT (M16, M17, M18)
51	ZR40K3PFV930	COMPRESSOR 40600, 208/230/60/1 (M19, M20, M21)	NS	B1789884	FLOW CHECK PISTON KIT (M19, M20, M21)
51	ZR52K3PFV930	COMPRESSOR 52000, 208/230/60/1 (M22, M23)	NS	B1789893	FLOW CHECK PISTON KIT (M22, M23)
61	0201R00008PA	TUBING ASSY, COND COIL (M4, M5, M6, M7)	NS	B1225022S	SOLENOID COIL
61	0201R00068S	TUBING ASSY, COND COIL (M19, M20, M21)	NS	B1787000	VALVE CORE
61	0201R00070S	TUBING ASSY, COND COIL (M16, M17, M18)	Expanded Model Nomenclature		
61	0210R00115	TUBING ASSY, COND COIL (M16, M17, M18)	<div style="border: 1px solid black; padding: 5px;"> M1 - ASH130181AA  M2 - ASH130181AB  M3 - ASH130181AC  M4 - ASH130241AA  M5 - ASH130241AB  M6 - ASH130241AC  M7 - ASH130241AD  M8 - ASH130301AA  M9 - ASH130301AB  M10 - ASH130301AC  M11 - ASH130301AD  M12 - ASH130361AA  M13 - ASH130361AB  M14 - ASH130361AC  M15 - ASH130361AD  M16 - ASH130421AA  M17 - ASH130421AB  M18 - ASH130421AC  M19 - ASH130481AA  M20 - ASH130481AB  M21 - ASH130481AC  M22 - ASH130601AA  M23 - ASH130601AB </div>		
61	1362200	TUBING ASSY, COND COIL (M1, M2, M3)			
61	1362202	TUBING ASSY, COND COIL (M8, M9, M10, M11)			
61	1362203	TUBING ASSY, COND COIL (M12, M13, M14, M15)			
61	1362206	TUBING ASSY, COND COIL (M22, M23)			
71	M0221641	TF SHOULDER SCREW (QTY 4)			
81	B1360719	CUT-OUT SWITCH, LOW PRESSURE			
101	B1226206	ACCUMULATOR (M1, M2, M3, M4, M5, M6, M7, M8, M9, M10, M11)			
101	B1226207	ACCUMULATOR (M12, M13, M14, M15, M16, M17, M18, M19, M20, M21, M22, M23)			
111	B12825171	3/8" SERVICE VALVE			
121	0151R00002P	3/4" SERVICE VALVE OPEN LEFT (M1, M2, M3, M4, M5, M6, M7, M8, M9, M10, M11)			
121	0151R00003P	7/8" SERVICE VALVE OPEN LEFT (M12, M13, M14, M15, M16, M17, M18, M19, M20, M21, M22, M23)			
131	B1225020	SOLENOID COIL CORD W/1/4" TERMINAL			
141	0121R00006PDG	BASE PAN 29" (M1, M2, M3, M4, M5, M6, M7, M8, M9, M10, M11, M12, M13, M14, M15, M16, M17, M18, M19, M20, M21)			
141	0121R00007PDG	BASE PAN 35" (M22, M23)			
151	B1339533	COMPRESSOR GROMMET (QTY 4)			
241	0162M00013PS	FLOWRATOR .039 (M1, M2, M3)			
241	0162M00021P	FLOWRATOR .047 (M4, M5, M6, M7)			
241	0162M00015PS	FLOWRATOR .049 (M8, M9, M10, M11)			
241	0162M00016PS	FLOWRATOR .055 (M12, M13, M14, M15)			
241	0162M00017PS	FLOWRATOR .062 (M16, M17, M18)			

# Cabinet Top/Side Panels



# Cabinet Top/Side Panels

Ref. Part No:	Description:	Ref. Part No:	Description:
<i>Image 1:</i>		<i>Image 1:</i>	
11	0121R00011PDG VENTURI TOP PANEL 29" (M1, M2, M3, M4, M5, M6, M7, M8, M9, M10, M11, M12, M13, M14, M15, M16, M17, M18, M19, M20, M21)	131	4400431PLG LOUVERED SIDE PANEL (M3, M6, M7, M18)
11	0121R00013PDG VENTURI TOP PANEL 35" (M22, M23)	131	4400461PLG LOUVERED SIDE PANEL (M10, M11, M21)
21	0152R00008 WIRE GRILL 29" (M1, M2, M3, M4, M5, M6, M7, M8, M9, M10, M11, M12, M13, M14, M15, M16, M17, M18, M19, M20, M21)	131	4400462PLG LOUVERED SIDE PANEL (M14, M15)
21	0152R00009 WIRE GRILL 35" (M22, M23)	<b>Expanded Model Nomenclature</b>	
31	0131M00015PS COND MOTOR 1/4 HP, 2 SP, 8 PL (M12, M13, M14, M15, M16, M17, M18, M19, M20, M21)	<div style="border: 1px solid black; padding: 5px;"> M1 - ASH130181AA  M2 - ASH130181AB  M3 - ASH130181AC  M4 - ASH130241AA  M5 - ASH130241AB  M6 - ASH130241AC  M7 - ASH130241AD  M8 - ASH130301AA  M9 - ASH130301AB  M10 - ASH130301AC  M11 - ASH130301AD  M12 - ASH130361AA  M13 - ASH130361AB  M14 - ASH130361AC  M15 - ASH130361AD  M16 - ASH130421AA  M17 - ASH130421AB  M18 - ASH130421AC  M19 - ASH130481AA  M20 - ASH130481AB  M21 - ASH130481AC  M22 - ASH130601AA  M23 - ASH130601AB </div>	
31	0131M00013PS COND MOTOR 1/6 HP, 2 SP, 8 PL (M22, M23)		
31	0131M00017PS COND MOTOR 1/6 HP, 2 SP, 8 PL (M1, M2, M3, M4, M5, M6, M7, M8, M9, M10, M11)		
51	0150M00006S FAN BLADE (M1, M2, M3, M8, M9, M10, M11)		
51	0150M00008S FAN BLADE 22" TNT2203-25 (M4, M5, M6, M7, M16, M17, M18)		
51	10625738S FAN BLADE 26" ALUM CCW (M22, M23)		
51	B1086765S FAN BLADE TYPE 3 (M12, M13, M14, M15, M19, M20, M21)		
61	0161R00008P AMANA LOGO CAP		
71	0163M00003P SCREW #10 X 1/2, A, SLOT, SR, BLACK (M2, M3, M5, M6, M7, M9, M10, M11, M13, M14, M15, M17, M18, M20, M21, M23)		
71	B1393530 SCREW HWH,10 X 1/2, A, YZD, SLOT, SR (M1, M4, M8, M12, M16, M19, M22)		
81	M0280801 HEX NUT (QTY 4)		
91	0161R00002P CONDUIT (M1, M2, M3, M4, M5, M6, M7, M8, M9, M10, M11, M12, M13, M14, M15, M16, M17, M18, M19, M20, M21)		
91	0161R00004P CONDUIT (M22, M23)		
111	0121R00024PLGB LOUVERED SIDE PANEL (M1, M2, M4, M5, M17)		
111	0121R00025PLGB LOUVERED SIDE PANEL (M8, M9, M19, M20)		
111	0121R00027PLGB LOUVERED SIDE PANEL (M12, M13)		
111	0121R00042PLGB LOUVERED SIDE PANEL (M23)		
111	4400137PLG LOUVERED SIDE PANEL (M22)		
111	4400417PLGB LOUVERED SIDE PANEL (M3, M6, M7, M18)		
111	4400457PLGB LOUVERED SIDE PANEL (M10, M11, M21)		
111	4400458PLGB LOUVERED SIDE PANEL (M14, M15)		
121	0121R00030PLGB LOUVERED SIDE PANEL (M1, M2, M4, M5, M16, M17)		
121	0121R00031PLGB LOUVERED SIDE PANEL (M8, M9, M19, M20)		
121	0121R00033PLGB LOUVERED SIDE PANEL (M12, M13)		
121	0121R00046PLGB LOUVERED SIDE PANEL (M22, M23)		
121	4400424PLGB LOUVERED SIDE PANEL (M3, M6, M7, M18)		
121	4400459PLGB LOUVERED SIDE PANEL (M10, M11, M21)		
121	4400460PLGB LOUVERED SIDE PANEL (M14, M15)		
131	0121R00036PLG LOUVERED SIDE PANEL (M1, M2, M4, M5, M16, M17)		
131	0121R00037PLG LOUVERED SIDE PANEL (M8, M9, M19, M20)		
131	0121R00039PLG LOUVERED SIDE PANEL (M12, M13)		
131	0121R00050PLG LOUVERED SIDE PANEL (M22, M23)		

