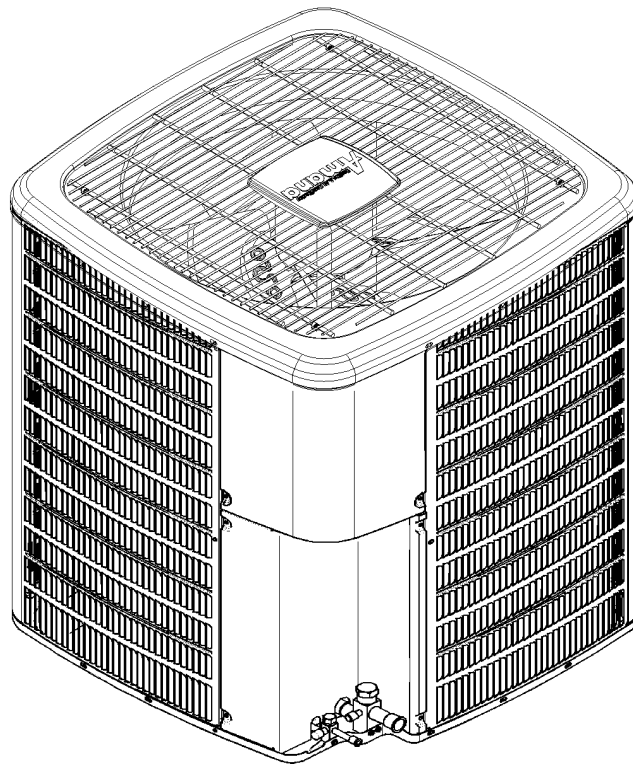


ASC 13 SEER Remote Condensing Unit

ASC130181AA
ASC130181AB
ASC130181AC
ASC130181AD
ASC130241AA
ASC130241AB
ASC130241AC
ASC130241AD
ASC130301AA
ASC130301AB
ASC130301AC
ASC130301AD
ASC130361AA
ASC130361AB
ASC130361AC
ASC130361AD
ASC130421AA
ASC130421AB
ASC130421AC
ASC130421AD
ASC130481AA
ASC130481AB
ASC130481AC
ASC130481AD
ASC130601BA
ASC130601BB
ASC130601BC
ASC130601BD



Important Information

Index

Functional Parts List	3
Illustration and Parts	6 - 13

Views shown are for parts illustrations only, not servicing procedures

Rev. D: Added model ASC130601BD.

Text Codes:

AR - As Required

NA - Not Available

NS - Not Shown

00000000 - See Note

QTY - Quantity Example (QTY 3) (If Quantity not shown, Quantity = 1)

M - Model Example (M1) (If M Code not shown, then part is used on all Models)

Expanded Model Nomenclature:

Example M1 - Model#1 M2 - Model#2 M3 - Model#3

Goodman Company, L.P. is not responsible for personal injury or property damage resulting from improper service. Review all service information before beginning repairs.

Warranty service must be performed by an authorized technician, using authorized factory parts. If service is required after the warranty expires, Goodman Company, L.P. also recommends contacting an authorized technician and using authorized factory parts.

Goodman Company, L.P. reserves the right to discontinue, or change at any time, specifications or designs without notice or without incurring obligations.

For assistance within the U.S.A. contact:

Consumer Affairs Department
Goodman Company, L.P.
7401 Security Way
Houston, Texas 77040
877-254-4729-Telephone
713-863-2382-Facsimile

For assistance outside the U.S.A. contact:

International Division
Goodman Company, L.P.
7401 Security Way
Houston, Texas 77040
713-861-2500-Telephone
713-863-2382-Facsimile

Functional Parts

**Part
No:**

Description:

Part No:	Description:	Part No:	Description:
1362100	ASSY, SERVICE COIL (M1, M2, M3)	CONT1P030024VS	CONTACTOR 30 AMP, 150 LRA, 277V (M21, M22, M23, M24)
1362105	ASSY, SERVICE COIL (M24)	B1360305	CONTACTOR 40 AMP, 240V (M25, M26)
1362104	ASSY, SERVICE COIL (M17, M18, M19)	B1789861	FLOW CHECK PISTON KIT (M5, M6, M7, M8)
1362103	ASSY, SERVICE COIL (M13, M14, M15)	B1789865	FLOW CHECK PISTON KIT (M9, M10, M11, M12)
1362101	ASSY, SERVICE COIL (M5, M6, M7)	B1789871	FLOW CHECK PISTON KIT (M13, M14, M15, M16)
1362105	ASSY, SERVICE COIL (M21, M22, M23)	B1789878	FLOW CHECK PISTON KIT (M17, M18, M19, M20)
1362106	ASSY, SERVICE COIL (M25, M26)	B1789882	FLOW CHECK PISTON KIT (M21, M22, M23, M24)
1362101	ASSY, SERVICE COIL (M8)	B1789893	FLOW CHECK PISTON KIT (M25, M26)
0201R00106S	ASSY, SERVICE COIL (M4)	B1789855	FLOW CHECK PISTON KIT (M1, M2, M3, M4)
1362102	ASSY, SERVICE COIL (M12)	0159R00000P	HARNESS, COMPRESSOR SCROLL 130 36" (M1, M2, M3, M4, M5, M6, M7, M8)
0201R00112S	ASSY, SERVICE COIL (M16)	0159R00002P	HARNESS, COMPRESSOR SCROLL 130 46" (M17, M18, M19, M20)
1362104	ASSY, SERVICE COIL (M20)	0130M00011P	LOW AMBIENT THERMOSTAT, SPDT
1362102	ASSY, SERVICE COIL (M9, M10, M11)	B1360719	LOW PRESSURE SWITCH
CAP050300370RS	CAPACITOR 5/30/370V (M1, M2, M3, M4)	0131M00015PS	MOTOR, FAN 1/4 HP, 8 PL, 2 SP (M17, M18, M19, M20, M21, M22, M23, M24)
B94575300	CAPACITOR 5/35/370V (M5, M6, M7, M8, M9, M10, M11, M12)	0131M00013PS	MOTOR, FAN 1/6 HP, 8 PL, 2 SP (M25, M26)
CAP050450370RS	CAPACITOR 5/45/370V (M15, M16)	0131M00017PS	MOTOR, FAN 1/6 HP, 8 PL, 2 SP (M1, M2, M3, M4, M5, M6, M7, M8, M9, M10, M11, M12, M13, M14, M15, M16)
B94577200S	CAPACITOR 5/45/370V (M13, M14)	B1219212	SINGLE-FLOW FILTER DRIER,STEEL (M1, M2, M3, M4, M5, M6, M7, M8, M9, M10, M11, M12, M13, M14, M15, M16)
CAP050500370RT	CAPACITOR 5/50/370V (M17, M18, M19, M20)	B1219225	SINGLE-FLOW FILTER DRIER,STEEL (M17, M18, M19, M20, M21, M22, M23, M24, M25, M26)
CAP050550370RT	CAPACITOR 5/55/370V (M23, M24)	0151R00002P	VALVE, SERVICE 3/4" OPEN LEFT (M1, M2, M3, M4, M5, M6, M7, M8, M9, M10, M11, M12, M13, M14, M15, M16)
B94575900S	CAPACITOR 5/55/370V (M21, M22)	B12825171	VALVE, SERVICE 3/8" OPEN
CAP050800370RT	CAPACITOR 5/80/370V (M26)	0151R00003P	VALVE, SERVICE 7/8" OPEN LEFT (M17, M18, M19, M20, M21, M22, M23, M24, M25, M26)
B94577600S	CAPACITOR 5/80/370V (M25)		
0130M00006P	COMFORT ALERT MODULE		
ZR16KAPFV830	COMPRESSOR 16500, 208/230/60/1 (M1, M2, M3, M4)		
ZR21KAPFV830	COMPRESSOR 21000, 208/230/60/1 (M5, M6, M7, M8)		
ZR24K4PFV930	COMPRESSOR 24000, 208/230/60/1 (M9, M10, M11, M12)		
ZR30K3PFV930	COMPRESSOR 31100, 208/230/60/1 (M13, M14, M15, M16)		
ZR34KAPFV830	COMPRESSOR 34400, 208/230/60/1 (M17, M18, M19, M20)		
ZR40K3PFV930	COMPRESSOR 40600, 208/230/60/1 (M21, M22, M23, M24)		
ZR52K3PFV930	COMPRESSOR 52000, 208/230/60/1 (M25, M26)		
B1488811S	COMPRESSOR SOUND BLANKET (M21, M22, M23, M24)		
B1488807S	COMPRESSOR SOUND BLANKET (M13, M14, M15, M16, M17, M18, M19, M20)		
B1488806S	COMPRESSOR SOUND BLANKET (M25, M26)		
B1488810S	COMPRESSOR SOUND BLANKET (M1, M2, M3, M4, M5, M6, M7, M8, M9, M10, M11, M12)		
B1360321	CONTACTOR 25 AMP, 125 LRA, 1P, 277V (M1, M2, M3, M4, M5, M6, M7, M8, M9, M10, M11, M12, M13, M14, M15, M16, M17, M18, M19, M20)		

Functional Parts

Part

No: Description:

SPECIAL PARTS

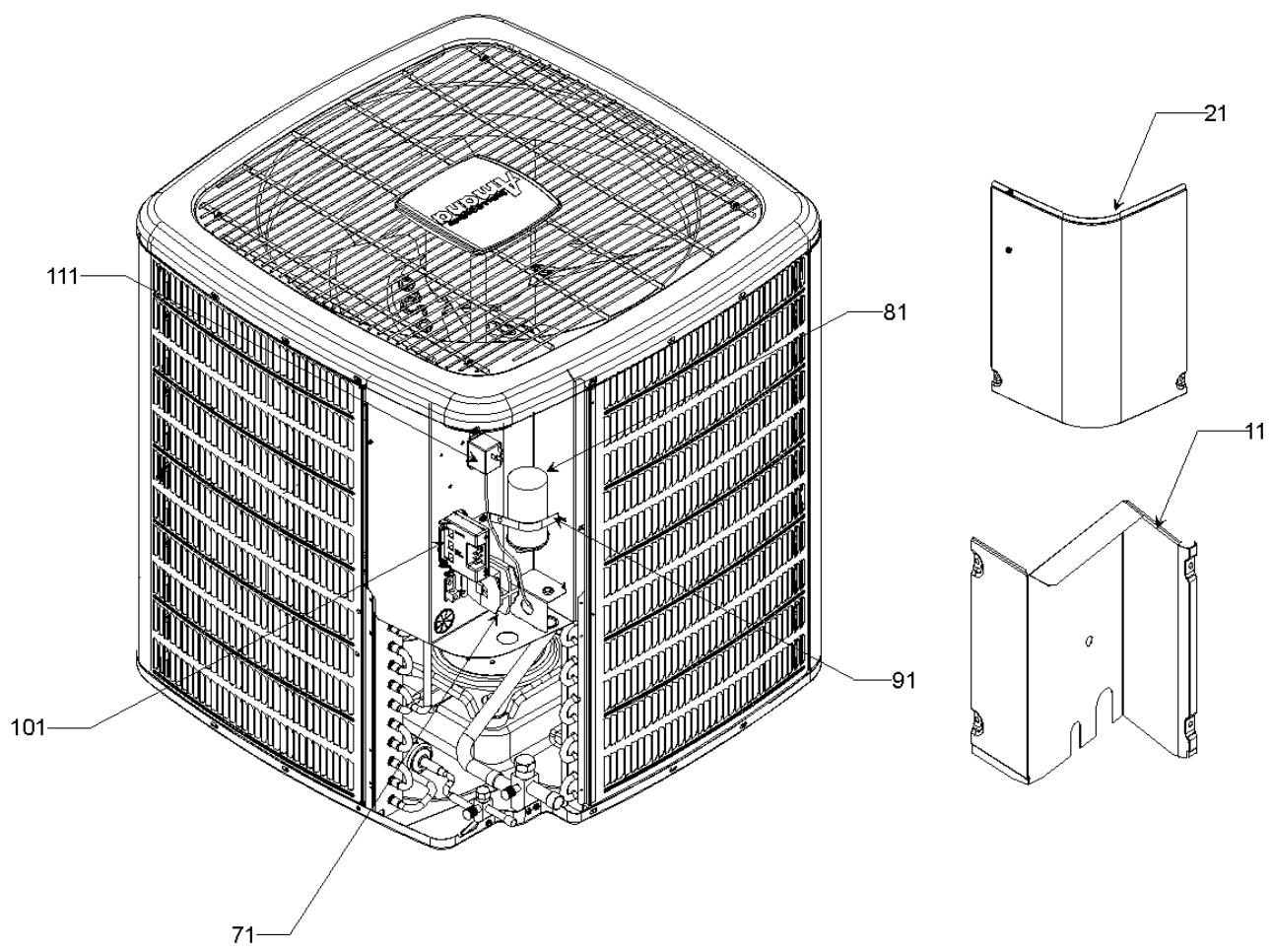
0161R00008P	CAP, AMANA LOGO
IO-258D	INSTALLATION INSTRUCTIONS
0161R00014	NAMEPLATE, AMANA - SPLITS (M1, M2, M5, M6, M9, M10, M13, M14, M17, M18, M21, M22, M25, M26)
0161R00010P	NAMEPLATE, AMANA LOGO (M3, M4, M7, M8, M11, M12, M15, M16, M19, M20, M23, M24)
RP-391D	REPAIR PARTS MANUAL

Expanded Model Nomenclature

M1 - ASC130181AA
M2 - ASC130181AB
M3 - ASC130181AC
M4 - ASC130181AD
M5 - ASC130241AA
M6 - ASC130241AB
M7 - ASC130241AC
M8 - ASC130241AD
M9 - ASC130301AA
M10 - ASC130301AB
M11 - ASC130301AC
M12 - ASC130301AD
M13 - ASC130361AA
M14 - ASC130361AB
M15 - ASC130361AC
M16 - ASC130361AD
M17 - ASC130421AA
M18 - ASC130421AB
M19 - ASC130421AC
M20 - ASC130421AD
M21 - ASC130481AA
M22 - ASC130481AB
M23 - ASC130481AC
M24 - ASC130481AD
M25 - ASC130601BA
M26 - ASC130601BB

THIS PAGE INTENTIONALLY LEFT BLANK

Control Cover / Control Box



Control Cover / Control Box

Ref Part No:	Description:	Ref. Part No:	Description:
<i>Image 1:</i>		Expanded Model Nomenclature	
11	4400200PDG PANEL, LOWER ACCESS (M1, M2, M3, M4)	M1 - ASC130181AA	
11	4400201PDG PANEL, LOWER ACCESS (M9, M10, M11, M12)	M2 - ASC130181AB	
11	4400202PDG PANEL, LOWER ACCESS (M17, M18, M19, M20)	M3 - ASC130181AC	
11	4400203PDG PANEL, LOWER ACCESS (M5, M6, M7, M8, M13, M14, M15, M16)	M4 - ASC130181AD	
11	4400205PDG PANEL, LOWER ACCESS (M21, M22, M23, M24, M25, M26)	M5 - ASC130241AA	
21	0121R00053PDG CONTROL COVER, SML (M1, M2, M3, M4, M5, M6, M7, M8, M9, M10, M11, M12, M13, M14, M15, M16, M17, M18, M19, M20, M21, M22, M23, M24, M26)	M6 - ASC130241AB	
71	B1360321 CONTACTOR 25 AMP, 125 LRA, 1P, 277V (M1, M2, M3, M4, M5, M6, M7, M8, M9, M10, M11, M12, M13, M14, M15, M16, M17, M18, M19, M20)	M7 - ASC130241AC	
71	CONT1P030024VS CONTACTOR 30 AMP, 150 LRA, 277V (M21, M22, M23, M24)	M8 - ASC130241AD	
71	B1360305 CONTACTOR 40 AMP, 240V (M25, M26)	M9 - ASC130301AA	
81	CAP050300370RS CAPACITOR 5/30/370V (M1, M2, M3, M4)	M10 - ASC130301AB	
81	B94575300 CAPACITOR 5/35/370V (M5, M6, M7, M8, M9, M10, M11, M12)	M11 - ASC130301AC	
81	B94577200S CAPACITOR 5/45/370V (M13, M14)	M12 - ASC130301AD	
81	CAP050450370RS CAPACITOR 5/45/370V (M15, M16)	M13 - ASC130361AA	
81	CAP050500370RT CAPACITOR 5/50/370V (M17, M18, M19, M20)	M14 - ASC130361AB	
81	B94575900S CAPACITOR 5/55/370V (M21, M22)	M15 - ASC130361AC	
81	CAP050550370RT CAPACITOR 5/55/370V (M23, M24)	M16 - ASC130361AD	
81	B94577600S CAPACITOR 5/80/370V (M25)	M17 - ASC130421AA	
81	CAP050800370RT CAPACITOR 5/80/370V (M26)	M18 - ASC130421AB	
91	4400065 CAPACITOR STRAP	M19 - ASC130421AC	
101	0130M00006P COMFORT ALERT MODULE	M20 - ASC130421AD	
111	0130M00011P LOW AMBIENT THERMOSTAT, SPDT	M21 - ASC130481AA	
NS	0161R00014 NAMEPLATE, AMANA - SPLITS (M1, M2, M5, M6, M9, M10, M13, M14, M17, M18, M21, M22, M25, M26)	M22 - ASC130481AB	
NS	0161R00010P NAMEPLATE, AMANA LOGO (M3, M4, M7, M8, M11, M12, M15, M16, M19, M20, M23, M24)	M23 - ASC130481AC	
		M24 - ASC130481AD	
		M25 - ASC130601BA	
		M26 - ASC130601BB	

Compressor / Tubing Assembly

Image 1

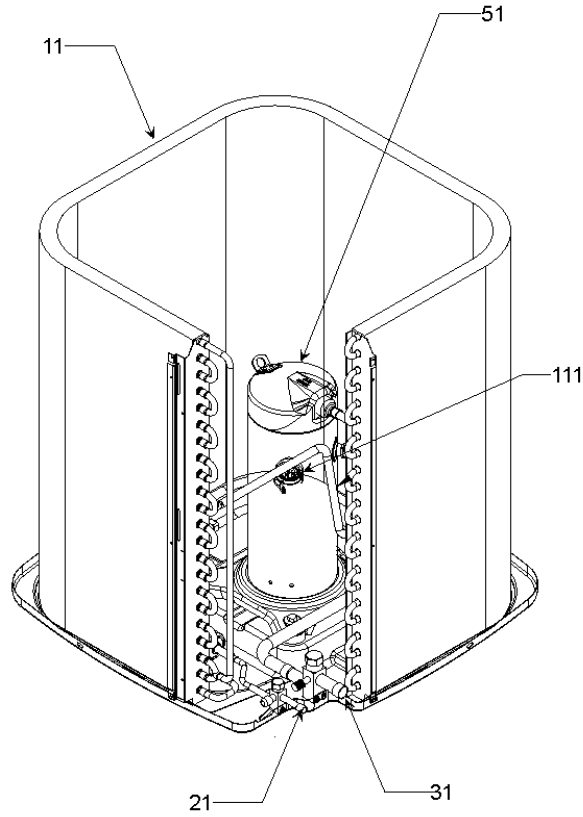


Image 2

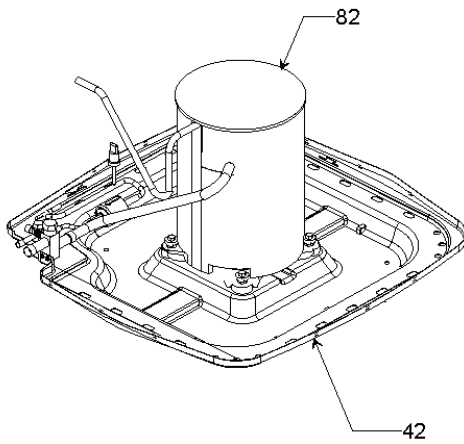
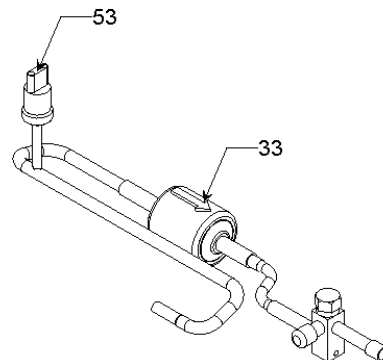


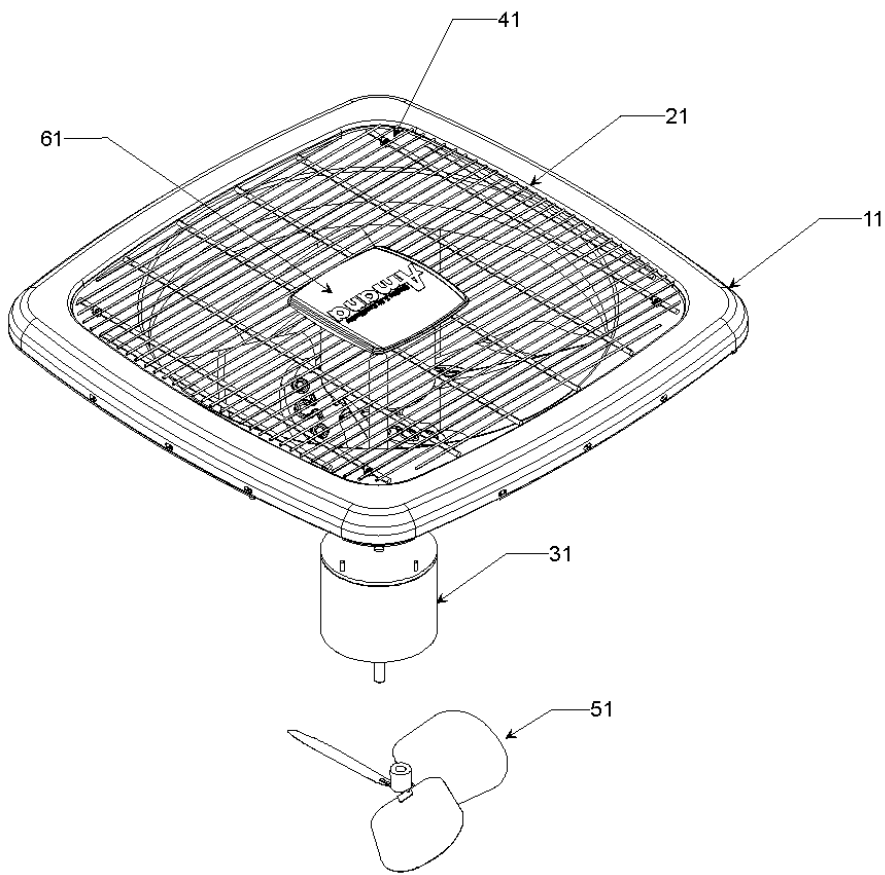
Image 3



Compressor / Tubing Assembly

Ref Part No:	Description:	Ref. Part No:	Description:																										
<i>Image 1:</i>		82	B1488806S COMPRESSOR SOUND BLANKET (M25, M26)																										
11	0201R00106S ASSY, SERVICE COIL (M4)	82	B1488807S COMPRESSOR SOUND BLANKET (M13, M14, M15, M16, M17, M18, M19, M20)																										
11	0201R00112S ASSY, SERVICE COIL (M16)	82	B1488810S COMPRESSOR SOUND BLANKET (M1, M2, M3, M4, M5, M6, M7, M8, M9, M10, M11, M12)																										
11	1362100 ASSY, SERVICE COIL (M1, M2, M3)	82	B1488811S COMPRESSOR SOUND BLANKET (M21, M22, M23, M24)																										
11	1362101 ASSY, SERVICE COIL (M5, M6, M7)	<i>Image 3:</i>																											
11	1362101 ASSY, SERVICE COIL (M8)	33	B1219212 SINGLE-FLOW FILTER DRIER,STEEL (M1, M2, M3, M4, M5, M6, M7, M8, M9, M10, M11, M12, M13, M14, M15, M16)																										
11	1362102 ASSY, SERVICE COIL (M12)	33	B1219225 SINGLE-FLOW FILTER DRIER,STEEL (M17, M18, M19, M20, M21, M22, M23, M24, M25, M26)																										
11	1362102 ASSY, SERVICE COIL (M9, M10, M11)	53	B1360719 LOW PRESSURE SWITCH																										
11	1362103 ASSY, SERVICE COIL (M13, M14, M15)	Expanded Model Nomenclature																											
11	1362104 ASSY, SERVICE COIL (M17, M18, M19)	<table border="1"> <tr><td>M1 - ASC130181AA</td></tr> <tr><td>M2 - ASC130181AB</td></tr> <tr><td>M3 - ASC130181AC</td></tr> <tr><td>M4 - ASC130181AD</td></tr> <tr><td>M5 - ASC130241AA</td></tr> <tr><td>M6 - ASC130241AB</td></tr> <tr><td>M7 - ASC130241AC</td></tr> <tr><td>M8 - ASC130241AD</td></tr> <tr><td>M9 - ASC130301AA</td></tr> <tr><td>M10 - ASC130301AB</td></tr> <tr><td>M11 - ASC130301AC</td></tr> <tr><td>M12 - ASC130301AD</td></tr> <tr><td>M13 - ASC130361AA</td></tr> <tr><td>M14 - ASC130361AB</td></tr> <tr><td>M15 - ASC130361AC</td></tr> <tr><td>M16 - ASC130361AD</td></tr> <tr><td>M17 - ASC130421AA</td></tr> <tr><td>M18 - ASC130421AB</td></tr> <tr><td>M19 - ASC130421AC</td></tr> <tr><td>M20 - ASC130421AD</td></tr> <tr><td>M21 - ASC130481AA</td></tr> <tr><td>M22 - ASC130481AB</td></tr> <tr><td>M23 - ASC130481AC</td></tr> <tr><td>M24 - ASC130481AD</td></tr> <tr><td>M25 - ASC130601BA</td></tr> <tr><td>M26 - ASC130601BB</td></tr> </table>		M1 - ASC130181AA	M2 - ASC130181AB	M3 - ASC130181AC	M4 - ASC130181AD	M5 - ASC130241AA	M6 - ASC130241AB	M7 - ASC130241AC	M8 - ASC130241AD	M9 - ASC130301AA	M10 - ASC130301AB	M11 - ASC130301AC	M12 - ASC130301AD	M13 - ASC130361AA	M14 - ASC130361AB	M15 - ASC130361AC	M16 - ASC130361AD	M17 - ASC130421AA	M18 - ASC130421AB	M19 - ASC130421AC	M20 - ASC130421AD	M21 - ASC130481AA	M22 - ASC130481AB	M23 - ASC130481AC	M24 - ASC130481AD	M25 - ASC130601BA	M26 - ASC130601BB
M1 - ASC130181AA																													
M2 - ASC130181AB																													
M3 - ASC130181AC																													
M4 - ASC130181AD																													
M5 - ASC130241AA																													
M6 - ASC130241AB																													
M7 - ASC130241AC																													
M8 - ASC130241AD																													
M9 - ASC130301AA																													
M10 - ASC130301AB																													
M11 - ASC130301AC																													
M12 - ASC130301AD																													
M13 - ASC130361AA																													
M14 - ASC130361AB																													
M15 - ASC130361AC																													
M16 - ASC130361AD																													
M17 - ASC130421AA																													
M18 - ASC130421AB																													
M19 - ASC130421AC																													
M20 - ASC130421AD																													
M21 - ASC130481AA																													
M22 - ASC130481AB																													
M23 - ASC130481AC																													
M24 - ASC130481AD																													
M25 - ASC130601BA																													
M26 - ASC130601BB																													
11	1362104 ASSY, SERVICE COIL (M20)																												
11	1362105 ASSY, SERVICE COIL (M24)																												
11	1362105 ASSY, SERVICE COIL (M21, M22, M23)																												
11	1362106 ASSY, SERVICE COIL (M25, M26)																												
21	B12825171 VALVE, SERVICE 3/8" OPEN																												
31	0151R00002P VALVE, SERVICE 3/4" OPEN LEFT (M1, M2, M3, M4, M5, M6, M7, M8, M9, M10, M11, M12, M13, M14, M15, M16)																												
31	0151R00003P VALVE, SERVICE 7/8" OPEN LEFT (M17, M18, M19, M20, M21, M22, M23, M24, M25, M26)																												
51	ZR16KAPFV830 COMPRESSOR 16500, 208/230/60/1 (M1, M2, M3, M4)																												
51	ZR21KAPFV830 COMPRESSOR 21000, 208/230/60/1 (M5, M6, M7, M8)																												
51	ZR24K4PFV930 COMPRESSOR 24000, 208/230/60/1 (M9, M10, M11, M12)																												
51	ZR30K3PFV930 COMPRESSOR 31100, 208/230/60/1 (M13, M14, M15, M16)																												
51	ZR34KAPFV830 COMPRESSOR 34400, 208/230/60/1 (M17, M18, M19, M20)																												
51	ZR40K3PFV930 COMPRESSOR 40600, 208/230/60/1 (M21, M22, M23, M24)																												
51	ZR52K3PFV930 COMPRESSOR 52000, 208/230/60/1 (M25, M26)																												
111	0159R00000P HARNESS, COMPRESSOR SCROLL 130 36" (M1, M2, M3, M4, M5, M6, M7, M8)																												
111	0159R00002P HARNESS, COMPRESSOR SCROLL 130 46" (M17, M18, M19, M20)																												
NS	B1339533 COMPRESSOR GROMMET (QTY 4)																												
NS	B1789855 FLOW CHECK PISTON KIT (M1, M2, M3, M4)																												
NS	B1789861 FLOW CHECK PISTON KIT (M5, M6, M7, M8)																												
NS	B1789865 FLOW CHECK PISTON KIT (M9, M10, M11, M12)																												
NS	B1789871 FLOW CHECK PISTON KIT (M13, M14, M15, M16)																												
NS	B1789878 FLOW CHECK PISTON KIT (M17, M18, M19, M20)																												
NS	B1789882 FLOW CHECK PISTON KIT (M21, M22, M23, M24)																												
NS	B1789893 FLOW CHECK PISTON KIT (M25, M26)																												
NS	M0221641 SCREW-SHOULDER TF (QTY 4)																												
<i>Image 2:</i>																													
42	0121R00005PDG BASE PAN 26" (M1, M2, M3, M4, M5, M6, M7, M8)																												
42	0121R00006PDG BASE PAN 29" (M9, M10, M11, M12, M13, M14, M15, M16, M17, M18, M19, M20, M21, M22, M23, M24)																												
42	0121R00007PDG BASE PAN 35" (M25, M26)																												

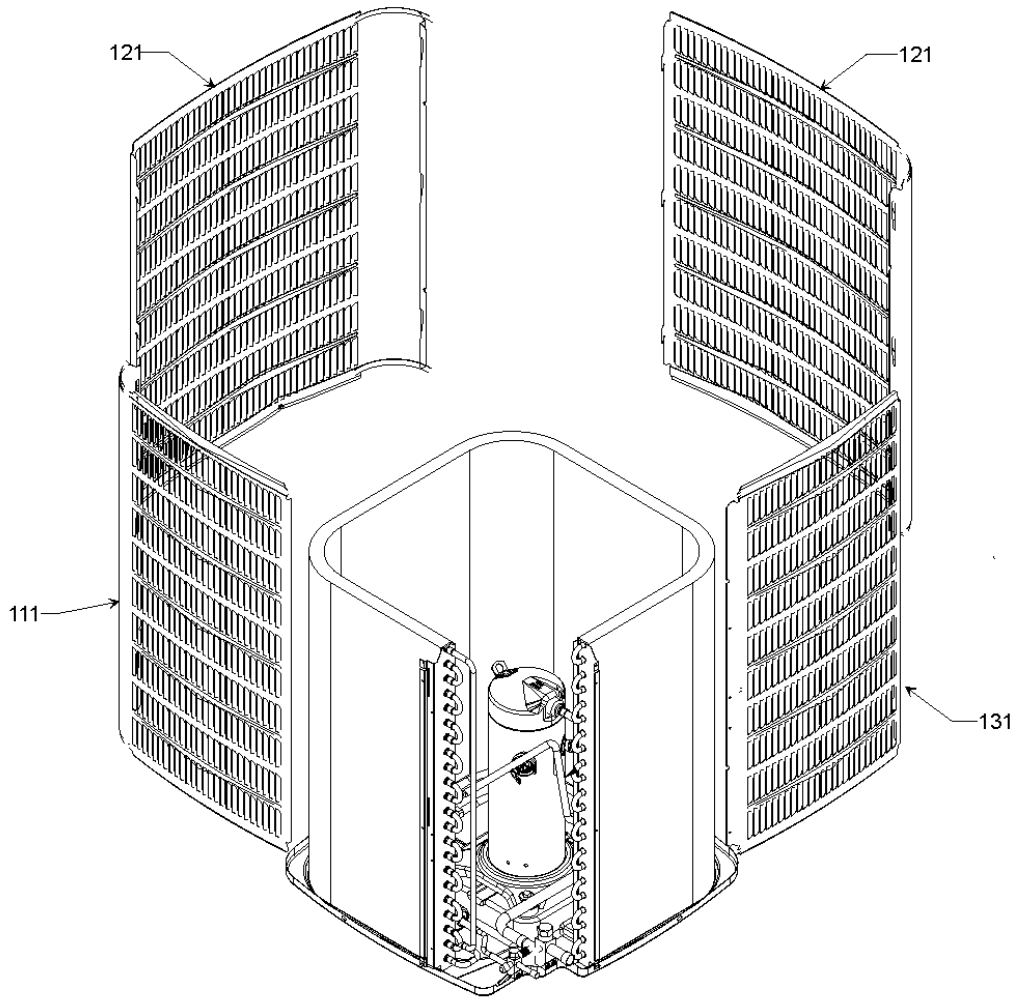
Top Panel Assembly



Top Panel Assembly

Ref Part No:	Description:	Ref. Part No:	Description:
<i>Image 1:</i>		Expanded Model Nomenclature	
11	0121R00009PDG PANEL, VENTURI TOP 26" (M1, M2, M3, M4, M5, M6, M7, M8)	M1 - ASC130181AA	
11	0121R00011PDG PANEL, VENTURI TOP 29" (M9, M10, M11, M12, M13, M14, M15, M16, M17, M18, M19, M20, M21, M22, M23, M24)	M2 - ASC130181AB	
11	0121R00013PDG PANEL, VENTURI TOP 35" (M25, M26)	M3 - ASC130181AC	
21	0152R00000P WIRE GRILL 26" TOP (M1, M2, M3, M4, M5, M6, M7, M8)	M4 - ASC130181AD	
21	0152R00001P WIRE GRILL 29" TOP (M9, M10, M11, M12, M13, M14, M15, M16, M17, M18, M19, M20, M21, M22, M23, M24)	M5 - ASC130241AA	
21	0152R00002P WIRE GRILL 35" TOP (M25, M26)	M6 - ASC130241AB	
31	0131M00015PS MOTOR, FAN 1/4 HP, 8 PL, 2 SP (M17, M18, M19, M20, M21, M22, M23, M24)	M7 - ASC130241AC	
31	0131M00013PS MOTOR, FAN 1/6 HP, 8 PL, 2 SP (M25, M26)	M8 - ASC130241AD	
31	0131M00017PS MOTOR, FAN 1/6 HP, 8 PL, 2 SP (M1, M2, M3, M4, M5, M6, M7, M8, M9, M10, M11, M12, M13, M14, M15, M16)	M9 - ASC130301AA	
41	M0280801 HEX NUT (QTY 4)	M10 - ASC130301AB	
51	0150M00009S FAN BLADE 20" (M1, M2, M3, M4, M5, M6, M7, M8)	M11 - ASC130301AC	
51	0150M00008 FAN BLADE 22" TNT2203-25 (M11, M12, M15, M16)	M12 - ASC130301AD	
51	10625738S FAN BLADE 26" ALUM CCW (M25, M26)	M13 - ASC130361AA	
51	B1086764S FAN BLADE TYPE 2 (M9, M10, M13, M14)	M14 - ASC130361AB	
51	B1086765S FAN BLADE TYPE 3 (M17, M18, M19, M20, M21, M22, M23, M24)	M15 - ASC130361AC	
61	0161R00008P CAP, AMANA LOGO	M16 - ASC130361AD	
NS	0161R00000P CONDUIT (M1, M2, M3, M4, M5, M6, M7, M8)	M17 - ASC130421AA	
NS	0161R00002P CONDUIT (M9, M10, M11, M12, M13, M14, M15, M16, M17, M18, M19, M20, M21, M22, M23, M24)	M18 - ASC130421AB	
NS	0161R00004P CONDUIT (M25, M26)	M19 - ASC130421AC	
		M20 - ASC130421AD	
		M21 - ASC130481AA	
		M22 - ASC130481AB	
		M23 - ASC130481AC	
		M24 - ASC130481AD	
		M25 - ASC130601BA	
		M26 - ASC130601BB	

Louver Panels



Louver Panels

Ref Part No:	Description:	Ref. Part No:	Description:
<i>Image 1:</i>		Expanded Model Nomenclature	
111	4400401PLG	PANEL, LOUVER SIDE (HORIZONTAL) (M3, M4)	M1 - ASC130181AA
111	4400403PLG	PANEL, LOUVER SIDE (HORIZONTAL) (M7, M8)	M2 - ASC130181AB
111	4400417PLG	PANEL, LOUVER SIDE (HORIZONTAL) (M11, M12)	M3 - ASC130181AC
111	4400418PLG	PANEL, LOUVER SIDE (HORIZONTAL) (M15, M16)	M4 - ASC130181AD
111	4400457PLG	PANEL, LOUVER SIDE (HORIZONTAL) (M19, M20)	M5 - ASC130241AA
111	4400458PLG	PANEL, LOUVER SIDE (HORIZONTAL) (M23, M24)	M6 - ASC130241AB
111	0121R00014PLG	PANEL, LOUVER SIDE (VERTICAL) (M1, M2)	M7 - ASC130241AC
111	0121R00016PLG	PANEL, LOUVER SIDE (VERTICAL) (M5, M6)	M8 - ASC130241AD
111	0121R00024PLG	PANEL, LOUVER SIDE (VERTICAL) (M9, M10)	M9 - ASC130301AA
111	0121R00025PLG	PANEL, LOUVER SIDE (VERTICAL) (M17, M18)	M10 - ASC130301AB
111	0121R00026PLG	PANEL, LOUVER SIDE (VERTICAL) (M13)	M11 - ASC130301AC
111	0121R00026PLG	PANEL, LOUVER SIDE (VERTICAL) (M14)	M12 - ASC130301AD
111	0121R00027PLG	PANEL, LOUVER SIDE (VERTICAL) (M21, M22)	M13 - ASC130361AA
111	0121R00043PLG	PANEL, LOUVER SIDE (VERTICAL) (M25, M26)	M14 - ASC130361AB
121	4400406PLG	PANEL, LOUVER SIDE (HORIZONTAL) (M3, M4)	M15 - ASC130361AC
121	4400408PLG	PANEL, LOUVER SIDE (HORIZONTAL) (M7, M8)	M16 - ASC130361AD
121	4400424PLG	PANEL, LOUVER SIDE (HORIZONTAL) (M11, M12)	M17 - ASC130421AA
121	4400425PLG	PANEL, LOUVER SIDE (HORIZONTAL) (M15, M16)	M18 - ASC130421AB
121	4400459PLG	PANEL, LOUVER SIDE (HORIZONTAL) (M19, M20)	M19 - ASC130421AC
121	4400460PLG	PANEL, LOUVER SIDE (HORIZONTAL) (M23, M24)	M20 - ASC130421AD
121	0121R00017PLG	PANEL, LOUVER SIDE (VERTICAL) (M1, M2)	M21 - ASC130481AA
121	0121R00019PLG	PANEL, LOUVER SIDE (VERTICAL) (M5, M6)	M22 - ASC130481AB
121	0121R00030PLG	PANEL, LOUVER SIDE (VERTICAL) (M9)	M23 - ASC130481AC
121	0121R00030PLG	PANEL, LOUVER SIDE (VERTICAL) (M10)	M24 - ASC130481AD
121	0121R00031PLG	PANEL, LOUVER SIDE (VERTICAL) (M17, M18)	M25 - ASC130601BA
121	0121R00032PLG	PANEL, LOUVER SIDE (VERTICAL) (M13, M14)	M26 - ASC130601BB
121	0121R00033PLG	PANEL, LOUVER SIDE (VERTICAL) (M21, M22)	
121	0121R00047PLG	PANEL, LOUVER SIDE (VERTICAL) (M25, M26)	
131	4400411PLG	PANEL, LOUVER SIDE (HORIZONTAL) (M3, M4)	
131	4400413PLG	PANEL, LOUVER SIDE (HORIZONTAL) (M7, M8)	
131	4400431PLG	PANEL, LOUVER SIDE (HORIZONTAL) (M11, M12)	
131	4400432PLG	PANEL, LOUVER SIDE (HORIZONTAL) (M15, M16)	
131	4400461PLG	PANEL, LOUVER SIDE (HORIZONTAL) (M19, M20)	
131	4400462PLG	PANEL, LOUVER SIDE (HORIZONTAL) (M23, M24)	
131	0121R00020PLG	PANEL, LOUVER SIDE (VERTICAL) (M1, M2)	
131	0121R00022PLG	PANEL, LOUVER SIDE (VERTICAL) (M5, M6)	
131	0121R00036PLG	PANEL, LOUVER SIDE (VERTICAL) (M9, M10)	
131	0121R00037PLG	PANEL, LOUVER SIDE (VERTICAL) (M17, M18)	
131	0121R00038PLG	PANEL, LOUVER SIDE (VERTICAL) (M13, M14)	
131	0121R00039PLG	PANEL, LOUVER SIDE (VERTICAL) (M21, M22)	
131	0121R00051PLG	PANEL, LOUVER SIDE (VERTICAL) (M25, M26)	