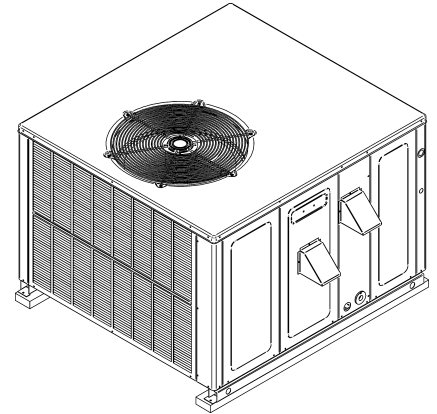




REPAIR PARTS

APU14 "M" Series ULN Residential Package Gas Unit

APU1424040M41AA
APU1430060M41AA
APU1436060M41CA
APU1442080M41CA
APU1448080M41CA
APU1461080M41AA



Amana® is a registered trademark of Maytag Corporation or its related companies and is used under license. All rights reserved.

This manual is to be used by qualified technicians only.

This manual replaces RP-A3303

© 2020 Goodman Company, L.P. ♦ 5151 San Felipe St, Suite 500 ♦ Houston, TX 77056

Important Information

Index

Functional Parts List	3
Illustration and Parts	4 - 13

Views shown are for parts illustrations only, not servicing procedures.

Text Codes:

AR - As Required

NA - Not Available

NS - Not Shown

00000000 - See Note

QTY - Quantity Example (QTY 3) (If Quantity not shown, Quantity = 1)

M - Model Example (M1) (If M Code not shown, then part is used on all Models)

Expanded Model Nomenclature:

Example
M1 - Model#1
M2 - Model#2
M3 - Model#3

Goodman Company, L.P. is not responsible for personal injury or property damage resulting from improper service. Review all service information before beginning repairs.

Warranty service must be performed by an authorized technician, using authorized factory parts. If service is required after the warranty expires, Goodman Company, L.P. also recommends contacting an authorized technician and using authorized factory parts.

Goodman Company, L.P. reserves the right to discontinue, or change at any time, specifications or designs without notice or without incurring obligations.

For assistance within the U.S.A. contact:

Homeowner Support
Goodman Company, L.P.
19001 Kermier Road
Waller, Texas 77484
877-254-4729-Telephone
713-863-2382-Facsimile

For assistance outside the U.S.A. contact:

International Division
Goodman Company, L.P.
19001 Kermier Road
Waller, Texas 77484
713-861-2500-Telephone
713-863-2382-Facsimile

Functional Parts

Part No: **Description:**

0150G00003	BLADE, FAN 26 SWEEP WING (M3, M4, M5, M6)
B1368000	BLOWER WHEEL (11 X 10) (M4, M5, M6)
0163G00016	BURNER, ULN (M4, M5, M6)
0163G00014	BURNER, ULN (M1)
0163G00015	BURNER, ULN (M2, M3)
CAP100450440CS	CAP, 10/45 MFD/ 440V DUAL RD (M5, M6)
CAP050350440CS	CAP, 5/35 MFD/440V/DUAL RD (M1)
CAP050400440CT	CAP, 5/40 MFD/440V/DUAL RD (M2)
CAP050450440CT	CAP, 5/45 MFD/440V/DUAL RD (M3, M4)
ZPS49K6EPFV130	COMP 49000,208/230/60/1 (M6)
ZP40K6EPFV120	COMP, 53700, 208/230/60/1 (M5)
ZP20K5EPFV130	COMP,20000,208/230/60/1 (M1)
ZP25K5EPFV130	COMP,25200,208/230/60/1 (M2)
ZP29K5EPFV130	COMP,29000,208/230/60/1 (M3)
ZP34K5EPFV130	COMP,34500,208/230/60/1 (M4)
CONT1P030024V	CONT, 1 POLE, 30 AMP, 24 VAC (M1, M2, M3, M4, M5)
CONT2P040024V	CONT, 2 POLE, 40 AMP, 24 VAC (M6)
0131M00749M	CONTROLLERLESS MOTOR (M6)
0131M00750M	CONTROLLERLESS MOTOR (M1, M2, M3)
0131M00747M	CONTROLLERLESS MOTOR (M4, M5)
0150G00002	FAN BLADE SWP/W (M2)
0150M00008	FAN BLADE, 22" TNT2203-25 (M1)
0130F00762	FLAME SENSOR
0151M00094	GAS VALVE ULN
0130M00074	HIGH PRESSURE SWITCH
0130G00014	ID PLUG (M4, M5, M6)
0130M00684	IGNITION MODULE
0130M00722	IGNITOR ULN SPARK ELECTRODE
PCBBL216	INTERGRATED FURNACE CONTROLLER
10728342	LIMIT SWITCH (M2, M3, M4, M5, M6)
0131M00966	MOTOR VENT ID
0131M00430	MOTOR, 1/3 HP, 1 SP, 6 PL (M5, M6)
0131M00847	MOTOR, 1/4 HP, 1 SP, 6 PL (M2, M3, M4)
0131M00979	MOTOR, 1/6 HP, 1SP, 8PL,AL (M1)
0131G00097	PROGRAMMED CONTROLLER (M2)
0131G00102	PROGRAMMED CONTROLLER (M6)
0131G00122	PROGRAMMED CONTROLLER (M3)
0131G00123	PROGRAMMED CONTROLLER (M4)
0131G00125	PROGRAMMED CONTROLLER (M1)
0131G00124	PROGRAMMED CONTROLLER (M5)
0130G00033	SWITCH, HIGH LIMIT, ULN (M1)
0130G00024	SWITCH, HIGH LIMIT, ULN (M4, M5, M6)
0130G00021	SWITCH, HIGH LIMIT, ULN (M2, M3)
0130G00019	SWITCH, HIGH LIMIT, ULN (M1)
B1370772	TIME DELAY ICM 180SEC DELA
0130M00685	TRANSDUCER PRESSURE SWITCH
0130M00138	TRANSFORMER 208/230 24V
0151M00075	VALVE-TXV R410A (M6)
B1368016	WHEEL, BLOWER, 10X8 (M1, M2)
D6723303	WHEEL-BLOWER (M3)

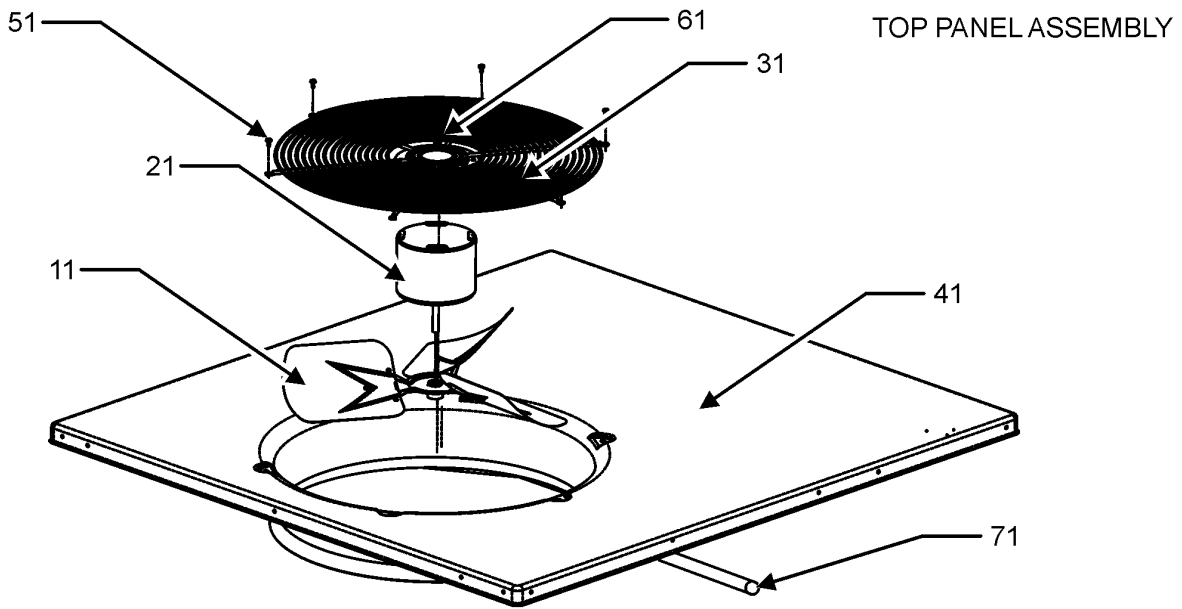
SPECIAL PARTS

TP-109B	AL COIL-APPROVED CLEANING LIST
HI-116G	HOMEOWNERS MANUAL
HI-116G	HOMEOWNERS MANUAL
IOG-3021B	I & O MANUAL
PWAPKGELTTYUR	PRODUCT WARRANTY

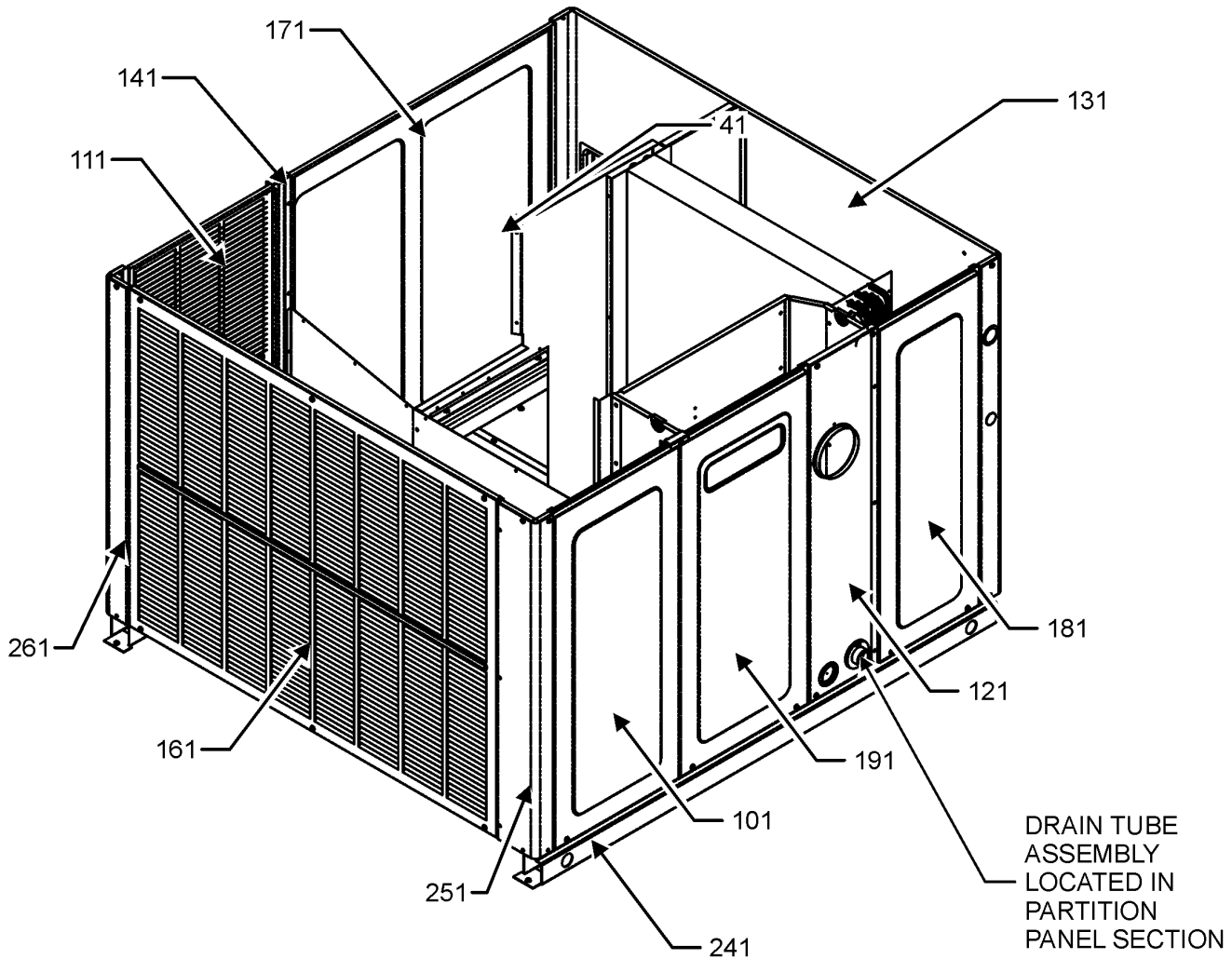
Expanded Model Nomenclature

M1 - APU1424040M41AA
M2 - APU1430060M41AA
M3 - APU1436060M41CA
M4 - APU1442080M41CA
M5 - APU1448080M41CA
M6 - APU1461080M41AA

Top Panel and Cabinet Assembly



CABINET ASSEMBLY



Top Panel and Cabinet Assembly

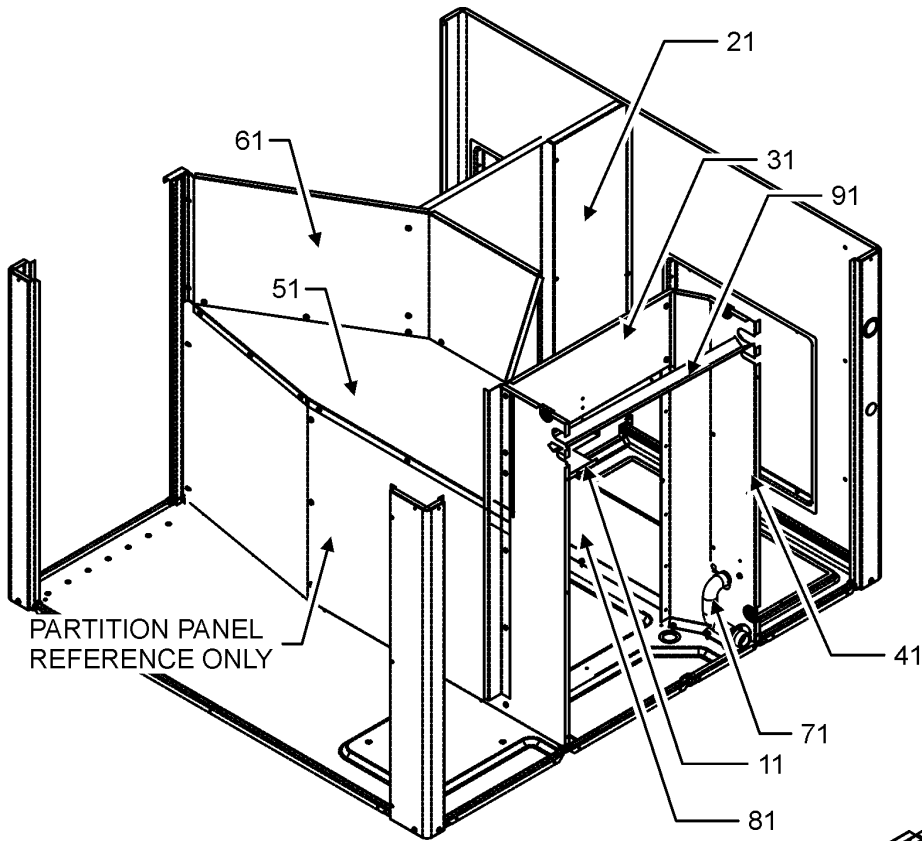
Ref. Part No:	Ref. Part No:	Description:	Description:
Image 1:			
11	0150G00003	BLADE, FAN 26 SWEPT WING (M3, M4, M5, M6)	
11	0150G00002	FAN BLADE SWP/W (M2)	
11	0150M00008	FAN BLADE, 22" TNT2203-25 (M1)	
21	0131M00430	MOTOR, 1/3 HP, 1 SP, 6 PL (M5, M6)	
21	0131M00847	MOTOR, 1/4 HP, 1 SP, 6 PL (M2, M3, M4)	
21	0131M00979	MOTOR, 1/6 HP, 1SP, 8PL,AL (M1)	
31	0152G00000	FAN GRILLE, RAISED (M2)	
31	0152G00003	GRILLE-FAN (M1, M3, M4, M5, M6)	
41	0121G00156PDG	TOP PANEL	
51	M0221817	SMALL SCREW (QTY 6)	
61	0163M00006P	ACORN NUT 5/16 HEX BLACK (QTY 4)	
71	0161G00016	CONDUIT PVC	
101	20464804PDG	DOOR-COMPRESSOR 38 (M1, M2, M3)	
101	20464809PDG	DOOR-COMPRESSOR 40 W/PAINT (M4, M5, M6)	
111	20467701PLG	PANEL - COND SIDE 32 W/PAINT (M1, M2, M3)	
111	20467702PLG	PANEL - COND SIDE 40 W/PAINT (M4, M5, M6)	
121	20466101PDG	UTILITY PANEL 32 W/PAINT (M1, M2, M3)	
121	20466102PDG	UTILITY PANEL 40 W/PAINT (M4, M5, M6)	
131	0121G00802DG	PNL, DUCT, GAS 32.5" PNT (M1, M2, M3)	
131	0121G00803DG	PNL, DUCT, GAS 40" PNT (M4, M5, M6)	
141	0121G00460	POST-SUPPORT, SIDE (M1, M2, M3)	
141	0121G00615	POST-SUPPORT, SIDE 40 (M4, M5, M6)	
161	0121G00728LG	PANEL-COND LOUVERED 32 (M1, M2, M3)	
161	0121G00729LG	PANEL-COND LOUVERED 40 (M4, M5, M6)	
171	20464801PDG	DOOR - BLOWER 32 W/PAINT (M1, M2, M3)	
171	20464806PDG	DOOR - BLOWER 40 W/PAINT (M4, M5, M6)	
181	20464802PDG	DOOR-EVAP/CONTROL 32 W/PAINT (M1, M2, M3)	
181	20464807PDG	DOOR-EVAP/CONTROL 40 W/PAINT (M4, M5, M6)	
191	0121G00526DG	DOOR-HT EXCHANGE 32 (M1, M2, M3)	
191	0121G00527DG	DOOR-HT EXCHANGE 38 (M4, M5, M6)	
241	0121G00290	RAIL, BASEPAN, PKG (QTY 2)	
251	0121G00453DG	CORNER-POST COMP END, PNT (M3)	
251	0121G00455DG	CORNER-POST COMP END, PNT (M5, M6)	
251	20464201PDG	CRNR POST-COMP END 32 W/PAINT (M1, M2)	
251	20464202PDG	CRNR POST-COMP END 40 W/PAINT (M4)	
261	0121G00454DG	CORNER-POST HPIN END, PNT (M1, M2, M3)	
261	0121G00456DG	CORNER-POST HPIN END, PNT (M4, M5, M6)	
NS	TP-109B	AL COIL-APPROVED CLEANING LIST	
NS	0270G00500	FLUE HOOD ASSY	
NS	HI-116G	HOMEOWNERS MANUAL	
NS	HI-116G	HOMEOWNERS MANUAL	
NS	IOG-3021B	I & O MANUAL	
NS	PWAPKGELTTYUR	PRODUCT WARRANTY	

Expanded Model Nomenclature

- | |
|----------------------|
| M1 - APU1424040M41AA |
| M2 - APU1430060M41AA |
| M3 - APU1436060M41CA |
| M4 - APU1442080M41CA |
| M5 - APU1448080M41CA |
| M6 - APU1461080M41AA |

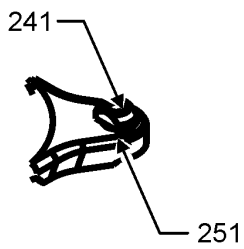
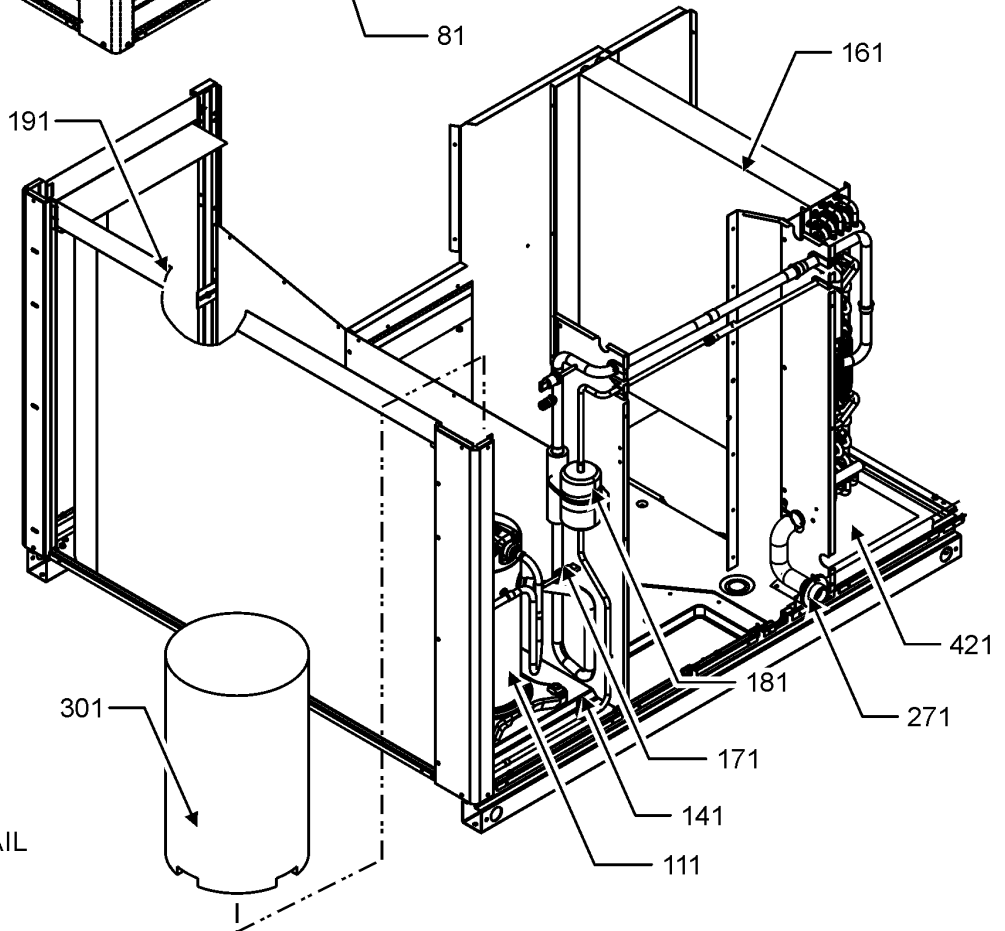
Partition and Tubing Assembly

PARTITION ASSEMBLY



TUBING ASSEMBLY

TUBING ASSEMBLY
MAY DIFFER FROM
WHAT IS SHOWN



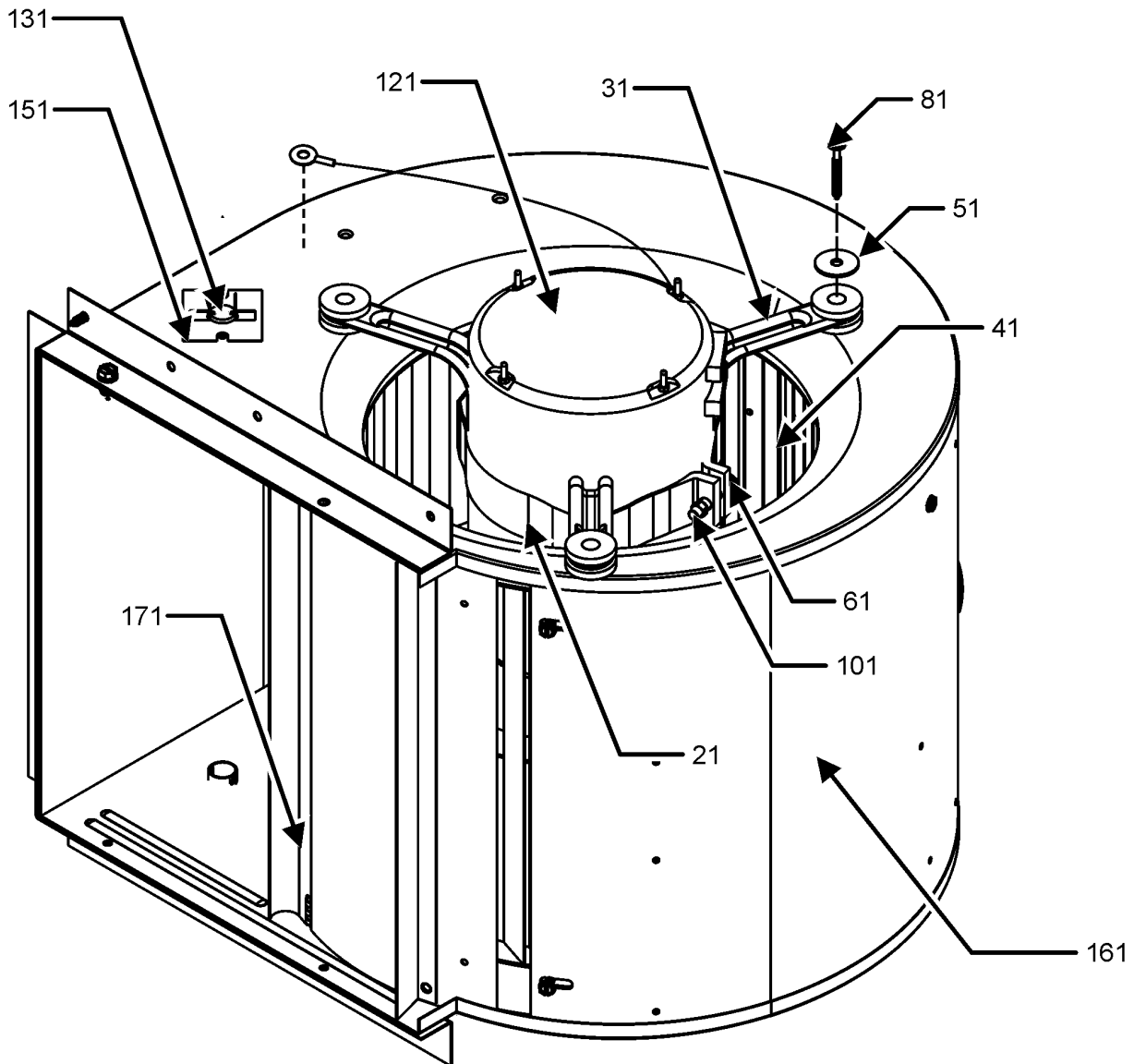
COMPRESSOR LEG DETAIL

Partition and Tubing Assembly

Ref. Part No:	No:	Description:	Ref. Part No:	No:	Description:
Image 1:			Expanded Model Nomenclature		
11	20472501	SHIELD-HT TUBES	M1	-	APU1424040M41AA
21	20465305	DIVIDER-BLOWER (M1, M2)	M2	-	APU1430060M41AA
21	20465304	DIVIDER-BLOWER 32 10X9 (M3)	M3	-	APU1436060M41CA
21	20465302	DIVIDER-BLOWER 38 (M4, M5, M6)	M4	-	APU1442080M41CA
31	0121G00894	PANEL FILLER HT EXCH 32 (M1, M2, M3)	M5	-	APU1448080M41CA
31	0121G00895	PANEL FILLER HT EXCH 40 (M4, M5, M6)	M6	-	APU1461080M41AA
41	0121G00757	DIVIDER, EVAP/HT EXCH 32 (M1, M2, M3)			
41	0121G00758	DIVIDER, EVAP/HT EXCH 38 (M4, M5, M6)			
51	20465701	FAN PARTITION SHELF			
61	20465801	SURROUND-FAN 32 (M1, M2, M3)			
61	20465802	SURROUND-FAN 40 (M4, M5, M6)			
71	20498302	TUBE-DRAIN 32 (M1, M2, M3)			
71	20498301	TUBE-DRAIN 40 (M4, M5, M6)			
81	20463802	BLOCK-EVAP/BPAN 32 (M1, M2, M3)			
81	20463801	BLOCK-EVAP/BPAN 40 (M4, M5, M6)			
91	0121G00555	DRAIN CHANNEL, SUCTION TUBE			
111	ZPS49K6EPFV130	COMP 49000,208/230/60/1 (M6)			
111	ZP40K6EPFV120	COMP, 53700, 208/230/60/1 (M5)			
111	ZP20K5EPFV130	COMP,20000,208/230/60/1 (M1)			
111	ZP25K5EPFV130	COMP,25200,208/230/60/1 (M2)			
111	ZP29K5EPFV130	COMP,29000,208/230/60/1 (M3)			
111	ZP34K5EPFV130	COMP,34500,208/230/60/1 (M4)			
141	B1373315	ACCESS FITTING (QTY 2)			
161	0202G00565	COIL TUBING ASSY (M1)			
161	0202G00566	COIL TUBING ASSY (M2)			
161	0202G00722	COIL TUBING ASSY (M6)			
161	0202G00746	COIL TUBING ASSY (M3)			
161	0202G00747	COIL TUBING ASSY (M4)			
161	0202G00748	COIL TUBING ASSY (M5)			
171	0130M00074	HIGH PRESSURE SWITCH			
181	0162G00007	SINGLE-FLOW FILTER DRIER,STL (M3, M4, M5, M6)			
181	0162G00008	SINGLE-FLOW FILTER DRIER,STL (M1, M2)			
191	0201G00463	COND COIL ASSY (M4)			
191	0201G00142	COND COIL TUBING ASSY (M1, M2)			
191	0201G00262	CONDENSER COIL ASSY (M3)			
191	0201G00369	CONDENSER COIL ASSY (M5, M6)			
241	M0221641	SCREW-SHOULDER TF (QTY 4)			
251	B1339533	COMPRESSOR GROMMET (QTY 4)			
271	20513001	EVAP DRAIN FITTING			
301	0160M00039	COMPRESSOR BLANKET			
421	20464901DF	DRAIN PAN-EVAP COIL			
NS	B1373311	ACCESS VALVE FITTING (M6)			
NS	0159G00001	CABLE COMP SCROLL (M6)			
NS	0163M00175	CAP WITH O-RING (QTY 2)			
NS	0164M00111	GROMMET D (QTY 4)			
NS	0164M00023	GROMMET-HORSESHOE (M5, M6)			
NS	0164M00110	GROMMET-HORSESHOE (M1, M2, M3, M4)			
NS	20333401	GROMMET-HORSESHOE			
NS	20333501	GROMMET-HORSESHOE			
NS	20477501	GROMMET-HORSESHOE			
NS	0159G00005	HARNESS-COMP SCROLL (M6)			
NS	0159G00014	HARNESS-COMP SCROLL (M1, M2, M3)			
NS	0159G00015	HARNESS-COMP SCROLL (M4, M5)			
NS	B1810011	HOSE CLAMP 1.25 (QTY 2)			
NS	0151M00075	VALVE-TXV R410A (M6)			

Blower Assembly

BLOWER ASSEMBLY



BLOWER ASSEMBLY MAY DIFFER FROM WHAT IS SHOWN

Blower Assembly

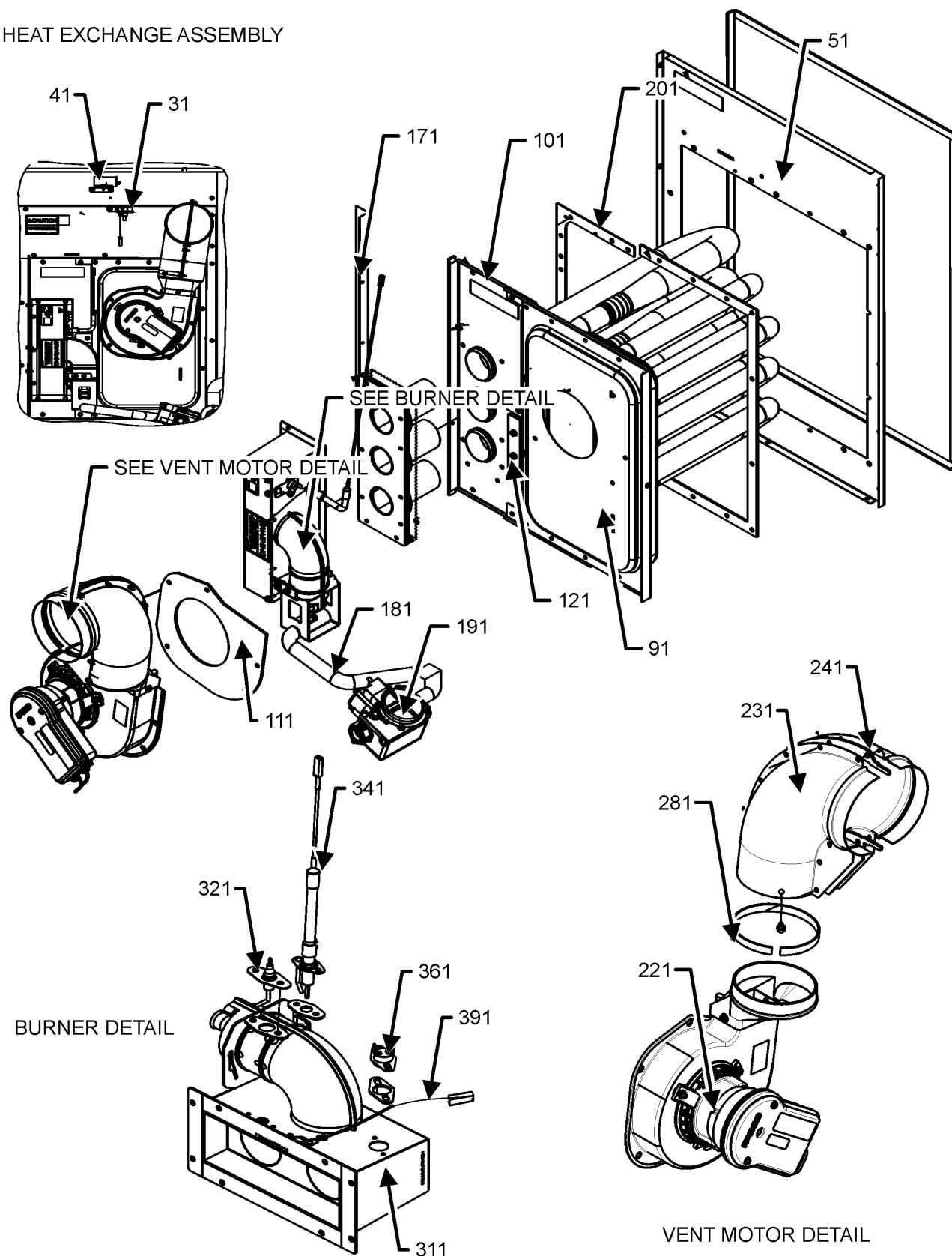
Ref. Part No:	Ref. Part No:	Description:	Description:
Image 1:			
21	0121M00038	MOTOR MOUNT BAND	
31	B1376857	MOTOR MOUNT ARM (QTY 3)	
41	B1368000	BLOWER WHEEL (11 X 10) (M4, M5, M6)	
41	B1368016	WHEEL, BLOWER, 10X8 (M1, M2)	
41	D6723303	WHEEL-BLOWER (M3)	
51	B1392918	WASHER FLAT 1/4 ID X 1 OD (QTY 3)	
61	B1393323	SCREW,MACHI HWH 1/4-20X1 1/2 BZ	
81	M0250565	TC SCREW 1.25" (QTY 3)	
101	B1393800	LOCKNUT, NYLON, INSERT 1/4, 20	
121	0131M00747M	CONTROLLERLESS MOTOR (M4, M5)	
121	0131M00749M	CONTROLLERLESS MOTOR (M6)	
121	0131M00750M	CONTROLLERLESS MOTOR (M1, M2, M3)	
121	0131G00097	PROGRAMMED CONTROLLER (M2)	
121	0131G00102	PROGRAMMED CONTROLLER (M6)	
121	0131G00122	PROGRAMMED CONTROLLER (M3)	
121	0131G00123	PROGRAMMED CONTROLLER (M4)	
121	0131G00124	PROGRAMMED CONTROLLER (M5)	
121	0131G00125	PROGRAMMED CONTROLLER (M1)	
131	20269903	LIMIT	
151	2509503	BRACKET F/ROLLOUT SWUT SWITCH	
161	0271G00025	BLOWER HOUSING ASSY (10X8) (M1, M2)	
161	0271G00024	BLOWER HOUSING ASSY (10X9) (M3)	
161	2539309	BLOWER HOUSING ASSY (11X10) (M4, M5, M6)	
171	764742	BLOCK OFF - BLOWER (M3)	
171	1864703	BLOWER CUT-OFF ASM,5TON,MORRIS (M4, M5, M6)	
171	764740	BLWR BLK-OFF,10X8 (M1, M2)	
NS	0121G00148	SINGLE COVER, DOWN DISCHARGE (QTY 2)	

Expanded Model Nomenclature

- | |
|----------------------|
| M1 - APU1424040M41AA |
| M2 - APU1430060M41AA |
| M3 - APU1436060M41CA |
| M4 - APU1442080M41CA |
| M5 - APU1448080M41CA |
| M6 - APU1461080M41AA |

Heat Exchange and Burner Assembly

HEAT EXCHANGE ASSEMBLY



HEAT EXCHANGE ASSEMBLY MAY DIFFER FROM WHAT IS SHOWN

Heat Exchange and Burner Assembly

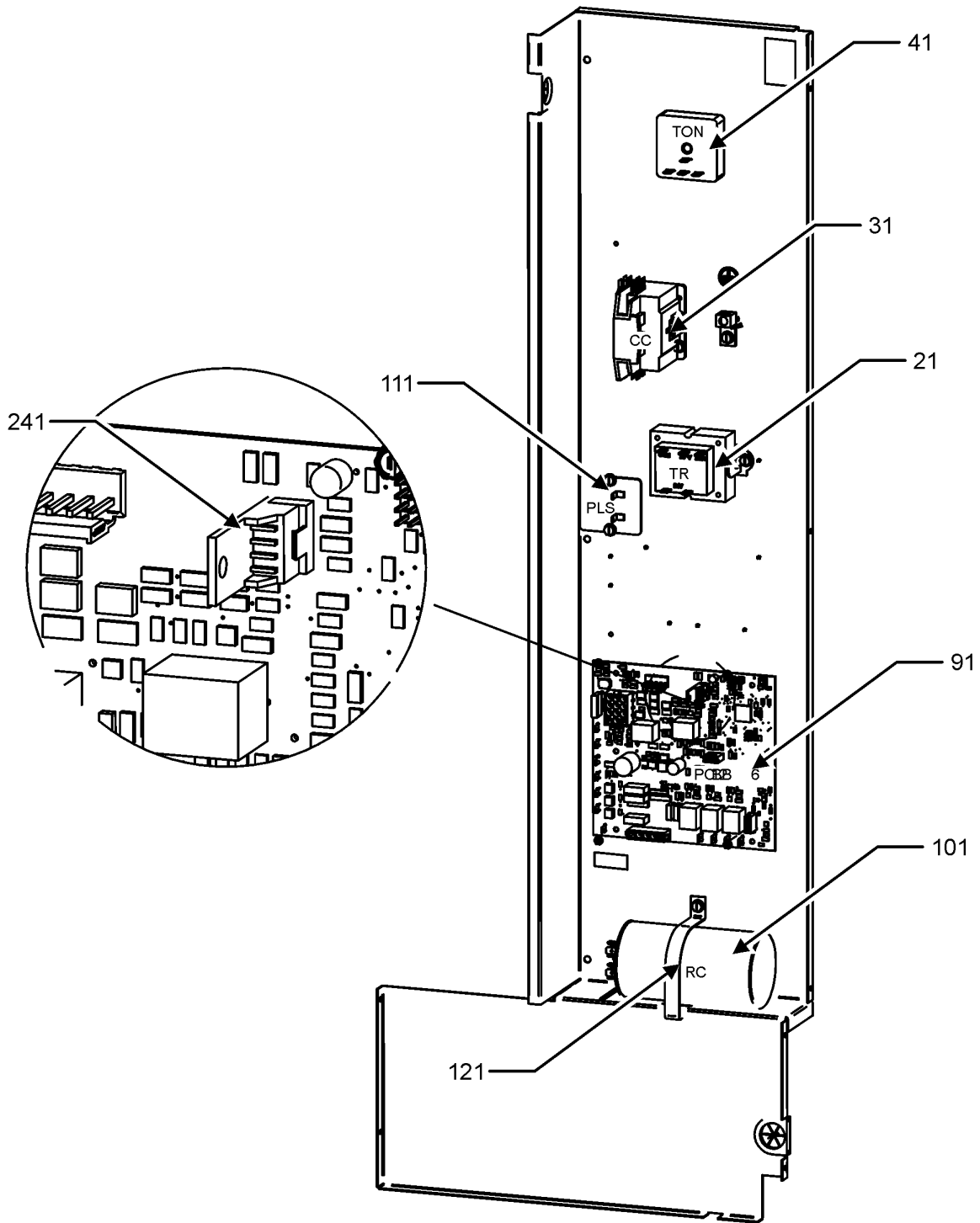
Ref. Part No:	Ref. Part No:	Description:	Description:
Image 1:			
31	0130M00685	TRANSDUCER PRESSURE SWITCH	
41	0130M00684	IGNITION MODULE	
51	0121G00852	PANEL BURNER (M4, M5, M6)	
51	0121G00813	PANEL, BURNER (M1)	
51	0121G00838	PANEL, BURNER (M2, M3)	
91	0121G00850	COLLECTOR BOX 4.5" DIA (M2, M3, M4, M5, M6)	
91	0121G00850	COLLECTOR BOX 4.5" DIA (M2, M3, M4, M5, M6)	
101	0257G00119	HEAT EXCHANGER ASSY (M1)	
101	0257G00121	HEAT EXCHANGER ASSY (M2, M3)	
101	0257G00122	HEAT EXCHANGER ASSY (M4, M5, M6)	
111	0154G00033	VENT MOTOR GASKET	
121	0121G00844	PLATE ULN HT EX LIMIT COVER	
171	0121G00839	BRACKET BURNER PANEL MOUNT (M2, M3, M4, M5, M6)	
181	0263G00003	MANIFOLD ASSY (M1)	
181	0263G00006	MANIFOLD ASSY (M2, M3)	
181	0263G00009	MANIFOLD ASSY (M4, M5, M6)	
191	0151M00094	GAS VALVE ULN	
201	0154G00040	GASKET, HEAT EXCHANGER (M1)	
201	0154G00041	GASKET, HEAT EXCHANGER (M2, M3, M4, M5, M6)	
221	0131M00966	MOTOR VENT ID	
231	0121G00847	FLUE ELBOW LEFT	
241	0121G00848	FLUE ELBOW RIGHT	
281	0154G00038	GASKET INDUCER TRANSTION	
311	0163G00014	BURNER, ULN (M1)	
311	0163G00015	BURNER, ULN (M2, M3)	
311	0163G00016	BURNER, ULN (M4, M5, M6)	
321	0130F00762	FLAME SENSOR	
341	0130M00722	IGNITOR ULN SPARK ELECTRODE	
361	0130G00019	SWITCH, HIGH LIMIT, ULN (M1)	
361	0130G00021	SWITCH, HIGH LIMIT, ULN (M2, M3)	
361	0130G00024	SWITCH, HIGH LIMIT, ULN (M4, M5, M6)	
391	0259L01798	WIRE HARNESS ASSY	
NS	0121G00893	BRACKET IGN MODULE MOUNTING	
NS	0154G00031	FLUE GASKET ELBOW	
NS	0154G00032	FLUE GASKET ELBOW	
NS	0154F00068	GASKER ULN FLAME SENSOR	
NS	0154M00079	GASKET IULN IGNITOR	
NS	0154F00069	GASKET LIMIT ULN	
NS	0154G00034	ULN COLLECTOR BOX GASKET (M2, M3, M4, M5, M6)	
NS	0154G00036	ULN COLLECTOR BOX GASKET (M1)	
NS	0154G00030	ULN LIMIT COVER GASKET	

Expanded Model Nomenclature

M1 - APU1424040M41AA
M2 - APU1430060M41AA
M3 - APU1436060M41CA
M4 - APU1442080M41CA
M5 - APU1448080M41CA
M6 - APU1461080M41AA

Control Panel Assembly

CONTROL BOX ASSEMBLY



CONTROL BOX ASSEMBLY MAY DIFFER FROM WHAT IS SHOWN

Control Panel Assembly

Ref. Part No:	Part No:	Description:	Ref. Part No:	Part No:	Description:
---------------	----------	--------------	---------------	----------	--------------

Image 1:

21	0130M00138	TRANSFORMER 208/230 24V
31	CONT1P030024V	CONT, 1 POLE, 30 AMP, 24 VAC (M1, M2, M3, M4, M5)
31	CONT2P040024V	CONT, 2 POLE, 40 AMP, 24 VAC (M6)
41	B1370772	TIME DELAY ICM 180SEC DELA
91	PCBBL216	INTERGRATED FURNACE CONTROLLER
101	CAP100450440CS	CAP, 10/45 MFD/ 440V DUAL RD (M5, M6)
101	CAP050350440CS	CAP, 5/35 MFD/440V/DUAL RD (M1)
101	CAP050400440CT	CAP, 5/40 MFD/440V/DUAL RD (M2)
101	CAP050450440CT	CAP, 5/45 MFD/440V/DUAL RD (M3, M4)
111	10728342	LIMIT SWITCH (M2, M3, M4, M5, M6)
111	0130G00033	SWITCH, HIGH LIMIT, ULN (M1)
121	20520901	STRAP-CAPACITOR
241	0130G00014	ID PLUG (M4, M5, M6)
NS	0259G00294	BLOWER HARNESS, 1STG, SHORT (M1, M2, M3)
NS	0259G00280	BLOWER HARNESS, 2STG, TALL (M6)
NS	0259G00083	HARNESS CONTROL (M4, M5)
NS	B1378533	LUG GROUND SMALL 4T

Expanded Model Nomenclature

- | |
|----------------------|
| M1 - APU1424040M41AA |
| M2 - APU1430060M41AA |
| M3 - APU1436060M41CA |
| M4 - APU1442080M41CA |
| M5 - APU1448080M41CA |
| M6 - APU1461080M41AA |