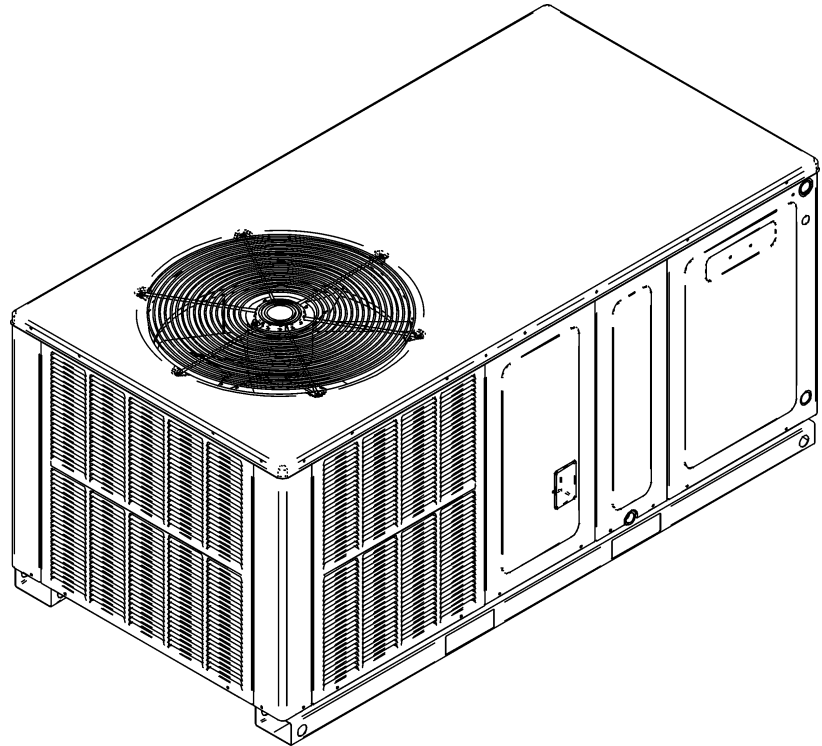


## APH16 Horizontal Package Heat Pump

APH1624H41AA  
APH1624H41AB  
APH1630H41AA  
APH1630H41AB  
APH1636H41AA  
APH1636H41AB  
APH1642H41AA  
APH1642H41AB  
APH1648H41AA  
APH1648H41AB  
APH1660H41AA



Amana® is a registered trademark of Maytag Corporation or its related companies and is used under license. All rights reserved.

This manual is to be used by qualified technicians only.

This manual replaces RP-A3009A.

© 2015 - 2016 Goodman Company, L.P. ♦ 5151 San Felipe St., Suite 500 ♦ Houston, TX 77056

# Important Information

---

## Index

Functional Parts List .....	3
Illustration and Parts .....	4 - 11

*Views shown are for parts illustrations only, not servicing procedures*

### Text Codes:

AR - As Required

NA - Not Available

NS - Not Shown

00000000 - See Note

QTY - Quantity Example (QTY 3) (If Quantity not shown, Quantity = 1)

M - Model Example (M1) (If M Code not shown, then part is used on all Models)

### Expanded Model Nomenclature:

Example M1 - Model#1 M2 - Model#2 M3 - Model#3
---

Goodman Company, L.P. is not responsible for personal injury or property damage resulting from improper service. Review all service information before beginning repairs.

Warranty service must be performed by an authorized technician, using authorized factory parts. If service is required after the warranty expires, Goodman Company, L.P. also recommends contacting an authorized technician and using authorized factory parts.

Goodman Company, L.P. reserves the right to discontinue, or change at any time, specifications or designs without notice or without incurring obligations.

For assistance within the U.S.A. contact:

Homeowner Support Department

Goodman Company, L.P.

7401 Security Way

Houston, Texas 77040

877-254-4729-Telephone

713-863-2382-Facsimile

For assistance outside the U.S.A. contact:

International Division

Goodman Company, L.P.

7401 Security Way

Houston, Texas 77040

713-861-2500-Telephone

713-863-2382-Facsimile

# Functional Parts

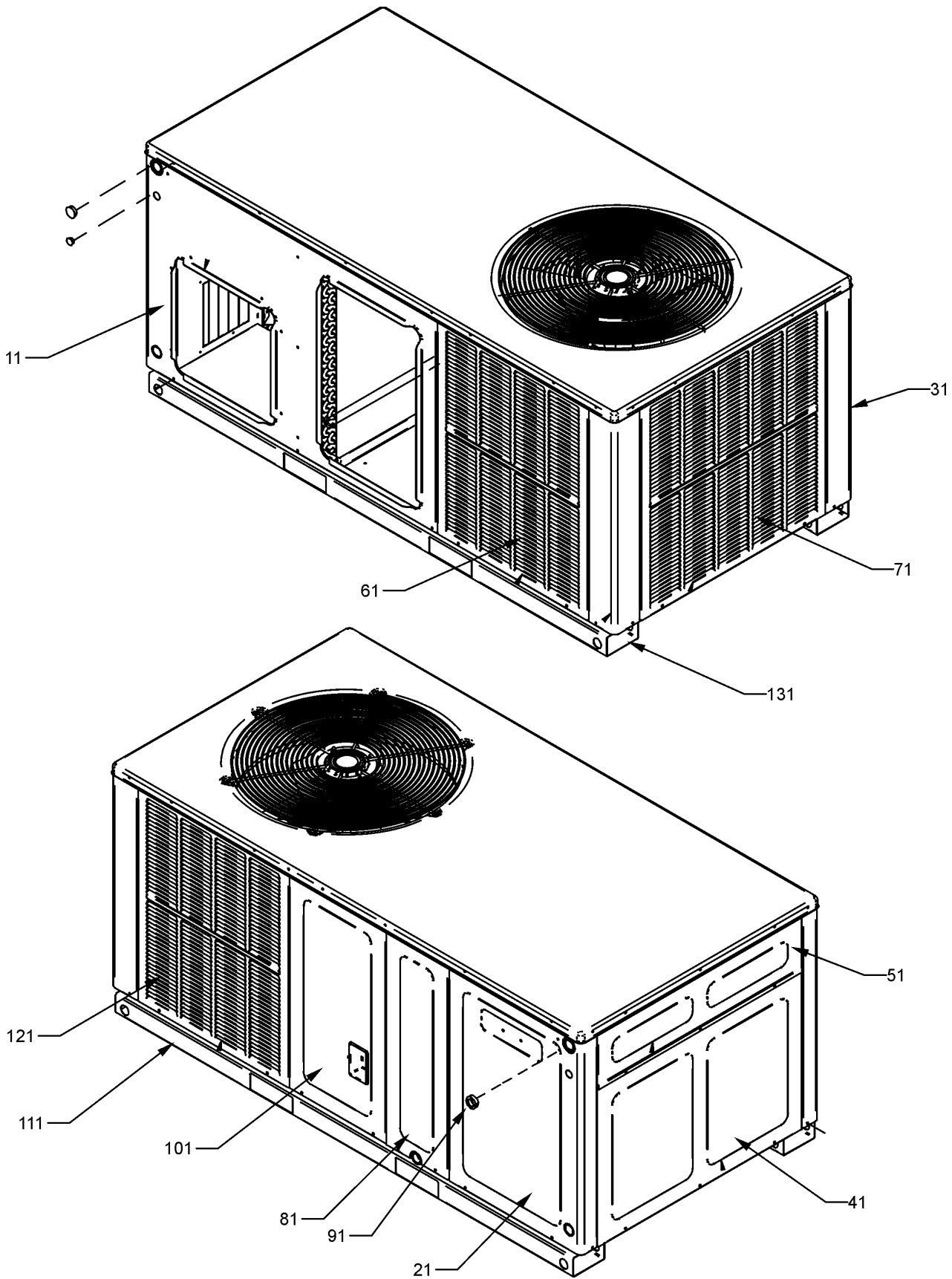
**Part No:**            **Description:**

B1368016	BLOWER WHEEL 10 X 8 (M1, M2, M3, M4, M5, M6, M7, M8, M9)
B1368054	BLOWER WHEEL 11 X 8 (M10)
CAP050300440CS	CAP.5/30MFD/440V/DUAL RD (M8, M9)
CAP050400440CT	CAPACITOR 5/40/440V/DUAL RD (M1, M2, M3, M10)
CAP050450440CT	CAPACITOR 5/45/440V/DUAL RD (M4, M5, M6, M7)
ZPS51K5EPFV130	COMP, 51900/208/230/60/1 (M10)
ZP21K5EPFV130	COMPRESSOR 21300, 208/230/60/1 (M1)
ZP25K5EPFV130	COMPRESSOR 25200, 208/230/60/1 (M2, M3)
ZP31K5EPFV130	COMPRESSOR 31100, 208/230/60/1 (M4, M5)
ZP34K5EPFV130	COMPRESSOR 34500, 208/230/60/1 (M6, M7)
ZPS40K5EPFV130	COMPRESSOR 41100, 208/230/60/1 (M8, M9)
0131M00061	COND MOTOR 1/4 HP, 1 SP, 8 PL (M4, M5)
0131M00429	COND MOTOR 1/4 HP, 1 SP,6 PL (M6, M7, M8, M9, M10)
0131M00009P	COND MOTOR 1/6 HP, 1 SP, 8 PL (M1, M2, M3)
CONT1P025024V	CONTACTOR 25 AMP, 1P, 24V (M1, M2, M3, M4, M5)
CONT1P030024V	CONTACTOR 30 AMP, 1P, 24V (M6, M7)
CONT2P040024V	CONTACTOR 40 AMP, 2P, 24V (M8, M9, M10)
0130M00101	CONTROL, DEFROST (M6, M7)
0130M00099	CONTROL, DEFROST (M1, M2, M3, M4, M5, M8, M9, M10)
0130M00074	CUT-OUT SWITCH, HIGH PRESSURE (M1, M2, M3, M4, M5, M6, M7, M8, M9)
0130M00089	CUT-OUT SWITCH, HIGH PRESSURE (M10)
0130M00075	CUT-OUT SWITCH, LOW PRESSURE
PCBDM133	DEFROST CONTROL BOARD
0150G00005	FAN BLADE (M1, M2, M3)
0150G00004	FAN BLADE (M6, M7, M8, M9, M10)
B1086765	FAN BLADE TYPE 3 (M4, M5)
PCBEM102	PCB, ECM PRIMARY, VSTB
0131M00701	PROGRAMMED MOTOR (M1)
0131M00705	PROGRAMMED MOTOR (M8, M9)
0131M00704	PROGRAMMED MOTOR (M6, M7)
0131M00702	PROGRAMMED MOTOR (M2, M3)
0131M00703	PROGRAMMED MOTOR (M4, M5)
0131M00772	PROGRAMMED MOTOR-16 SEER DA (M10)
0130M00242	RELAY, 24V (M8, M9, M10)
0151R00069	REVERSING VALVE (M1, M2, M3)
0151R00071	REVERSING VALVE (M4, M5, M6, M7, M8, M9, M10)
0130M00138	TRANSFORMER 208/230, 24V

## Expanded Model Nomenclature

M1 - APH1624H41AA
M2 - APH1630H41AA
M3 - APH1630H41AB
M4 - APH1636H41AA
M5 - APH1636H41AB
M6 - APH1642H41AA
M7 - APH1642H41AB
M8 - APH1648H41AA
M9 - APH1648H41AB
M10 - APH1660H41AA

# Cabinet Assembly



# Cabinet Assembly

Ref. Part No: No:	Description:	Ref. Part No: No:	Description:
<b>Image 1:</b>			
11	0121G00667PDG		DUCT PANEL 27.5" (M1, M2, M3)
11	0121G00668PDG		DUCT PANEL 32.5" (M4, M5, M6, M7, M8, M9)
11	0121G00669PDG		DUCT PANEL 36" (M10)
21	0121G00664DG		CORNER PANEL 27.5" (M1, M2, M3)
21	0121G00665DG		CORNER PANEL 32.5" (M4, M5, M6, M7, M8, M9)
21	0121G00666DG		CORNER PANEL 36" (M10)
31	0121G00047PDG		CORNER POST 27.5" (M1, M2, M3)
31	0121G00048PDG		CORNER POST 32.5" (M4, M5, M6, M7, M8, M9)
31	0121G00082PDG		CORNER POST 36" (M10)
41	0121G00271DG		EXTERNAL BLOWER PANEL 27.5" (M1, M2, M3)
41	0121G00272DG		EXTERNAL BLOWER PANEL 32.5" (M4, M5, M6, M7, M8, M9)
41	0121G00273DG		EXTERNAL BLOWER PANEL 36" (M10)
51	0121G00276DG		EXTERNAL CONTROL BOX PANEL
71	0121G00072PLG		LOUVERED PANEL 5 BANK 27.5" (M1, M2, M3)
71	0121G00073PLG		LOUVERED PANEL 5 BANK 32.5" (M4, M5, M6, M7, M8, M9)
71	0121G00091PLG		LOUVERED PANEL 5 BANK 36" (M10)
81	0121G00065PDG		EVAP PANEL 8.75" X 27.5" (M1, M2, M3)
81	0121G00066PDG		EVAP PANEL 8.75" X 32.5" (M4, M5, M6, M7, M8, M9)
81	0121G00089PDG		EVAP PANEL RMV 36" (M10)
91	B1392011		GROMMET / HS .62 - .45
101	0121G00711DG		COMPRESSOR PANEL (M3)
101	0121G00712DG		COMPRESSOR PANEL (M5, M7, M9)
101	0121G00715DG		COMPRESSOR PANEL (M10)
101	0121G00059PDG		COMPRESSOR PANEL 8.75" X 27.50" (M1, M2)
101	0121G00060PDG		COMPRESSOR PANEL 8.75" X 32.50" (M4, M6, M8)
111	0121G00046P		INSULATED ASSY, BASEPAN
121	0121G00069PLG		LOUVERED PANEL 4 BANK 27.5" (M1, M2, M3)
121	0121G00070PLG		LOUVERED PANEL 4 BANK 32.5" (M4, M5, M6, M7, M8, M9)
121	0121G00090PLG		LOUVERED PANEL 4 BANK 36" (M10)
131	0121G00044PRF		BASEPAN RAIL (QTY 2)
NS	0164G00005		GROMMET-HORSESHOE 1.675 (M3, M5, M7, M9, M10)

## Expanded Model Nomenclature

M1 - APH1624H41AA
M2 - APH1630H41AA
M3 - APH1630H41AB
M4 - APH1636H41AA
M5 - APH1636H41AB
M6 - APH1642H41AA
M7 - APH1642H41AB
M8 - APH1648H41AA
M9 - APH1648H41AB
M10 - APH1660H41AA

# Chassis Assembly

Image 1

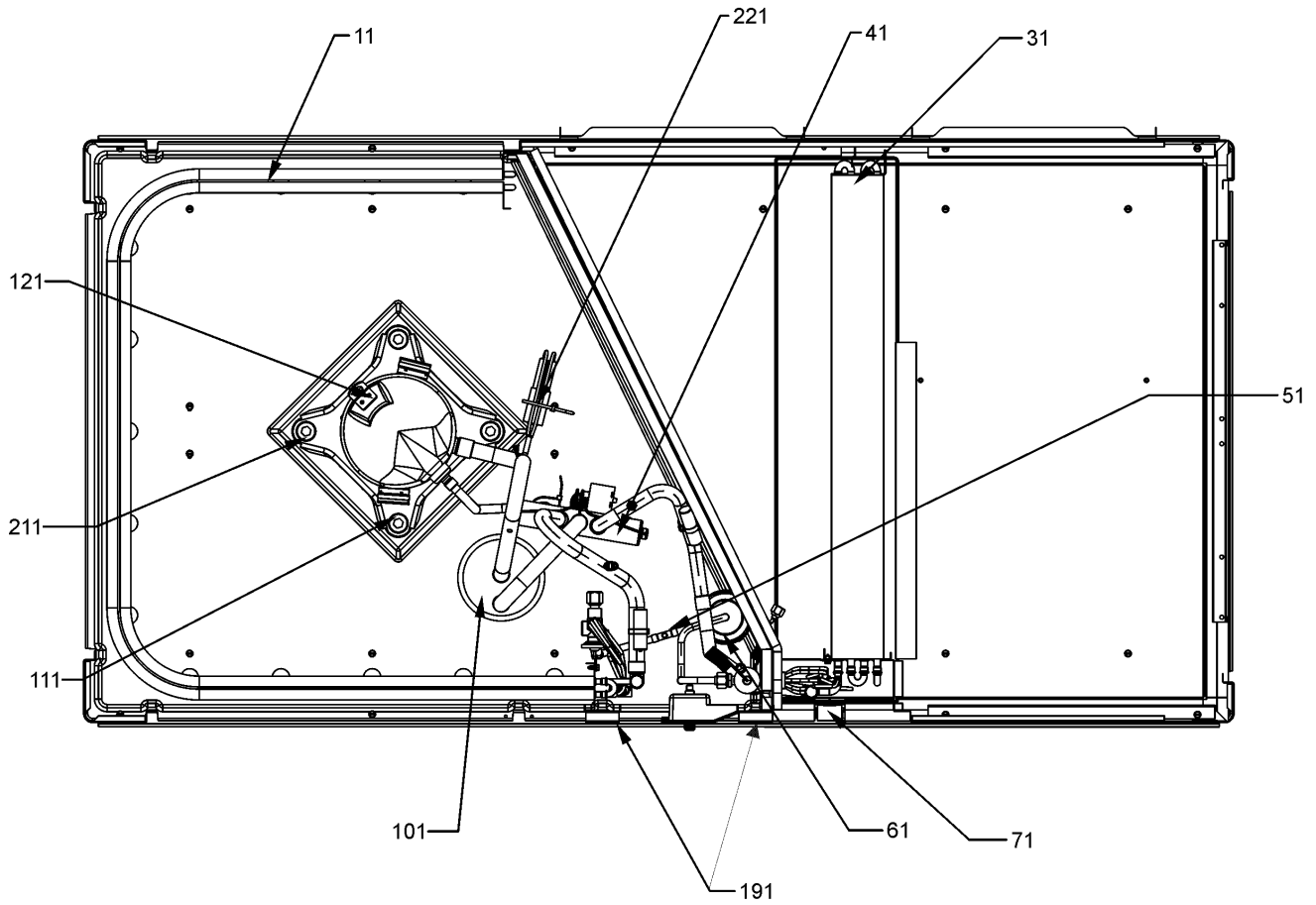


Image 2

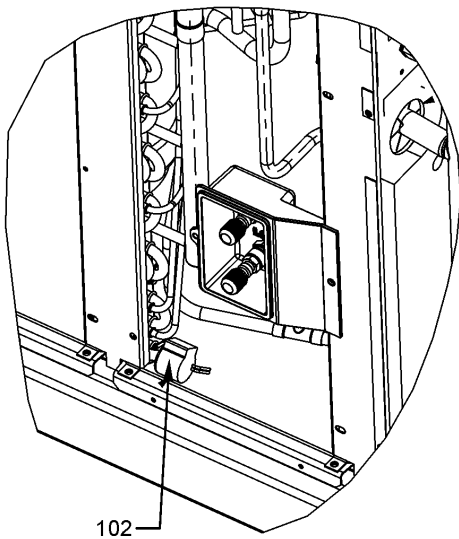
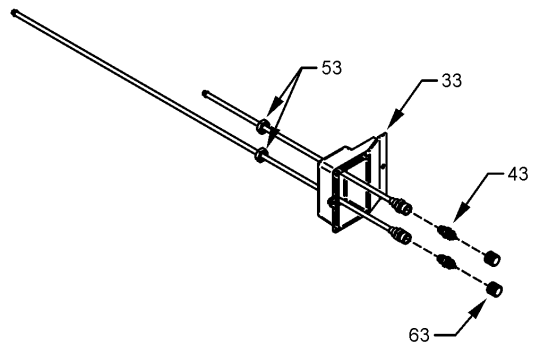


Image 3



# Chassis Assembly

Ref. Part No: No:	Description:	Ref. Part No: No:	Description:										
<b>Image 1:</b>		<b>Image 3:</b>											
11	0201R00678 COND ASSEMBLY (M10)	53	0163G00000P FASTEST FITTING NUT (M1, M2, M4, M6, M8)										
11	0201G00346 COND COIL ASSY (M1, M2)	63	0163M00175 CAP WITH O-RING (QTY 2)										
11	0201G00376 COND COIL ASSY (M4, M5)	<b>Expanded Model Nomenclature</b>											
11	0201G00377 COND COIL ASSY (M6, M7)	<table border="1"> <tr><td>M1 - APH1624H41AA</td></tr> <tr><td>M2 - APH1630H41AA</td></tr> <tr><td>M3 - APH1630H41AB</td></tr> <tr><td>M4 - APH1636H41AA</td></tr> <tr><td>M5 - APH1636H41AB</td></tr> <tr><td>M6 - APH1642H41AA</td></tr> <tr><td>M7 - APH1642H41AB</td></tr> <tr><td>M8 - APH1648H41AA</td></tr> <tr><td>M9 - APH1648H41AB</td></tr> <tr><td>M10 - APH1660H41AA</td></tr> </table>		M1 - APH1624H41AA	M2 - APH1630H41AA	M3 - APH1630H41AB	M4 - APH1636H41AA	M5 - APH1636H41AB	M6 - APH1642H41AA	M7 - APH1642H41AB	M8 - APH1648H41AA	M9 - APH1648H41AB	M10 - APH1660H41AA
M1 - APH1624H41AA													
M2 - APH1630H41AA													
M3 - APH1630H41AB													
M4 - APH1636H41AA													
M5 - APH1636H41AB													
M6 - APH1642H41AA													
M7 - APH1642H41AB													
M8 - APH1648H41AA													
M9 - APH1648H41AB													
M10 - APH1660H41AA													
11	0201G00380 COND COIL ASSY (M8)												
11	0201G00422 COND COIL ASSY (M9)												
11	0201G00423 COND COIL ASSY (M3)												
31	0202G00651 EVAP COIL ASSY (M4, M5, M6, M7)												
31	0202G00663 EVAP COIL ASSY (M8, M9)												
31	0202G00665 EVAP COIL ASSY (M1, M2, M3)												
31	0202G00721 EVAP COIL ASSY (M10)												
41	0151R00069 REVERSING VALVE (M1, M2, M3)												
41	0151R00071 REVERSING VALVE (M4, M5, M6, M7, M8, M9, M10)												
51	0130M00074 CUT-OUT SWITCH, HIGH PRESSURE (M1, M2, M3, M4, M5, M6, M7, M8, M9)												
51	0130M00089 CUT-OUT SWITCH, HIGH PRESSURE (M10)												
61	20485201 BI-FLOW FILTER DRIER (M1, M2, M3, M4, M5, M6, M7, M8, M9)												
71	0161G00000P PAN, DRIP												
101	B1226206 ACCUMULATOR (M1, M2, M3)												
101	B1226207 ACCUMULATOR .875 (M4, M5, M6, M7, M8, M9, M10)												
111	B1339533 COMPRESSOR GROMMET (QTY 4)												
121	ZPS51K5EPFV130 COMP, 51900/208/230/60/1 (M10)												
121	ZP21K5EPFV130 COMPRESSOR 21300, 208/230/60/1 (M1)												
121	ZP25K5EPFV130 COMPRESSOR 25200, 208/230/60/1 (M2, M3)												
121	ZP31K5EPFV130 COMPRESSOR 31100, 208/230/60/1 (M4, M5)												
121	ZP34K5EPFV130 COMPRESSOR 34500, 208/230/60/1 (M6, M7)												
121	ZPS40K5EPFV130 COMPRESSOR 41100, 208/230/60/1 (M8, M9)												
191	0121G00045P POST 27.5" (M1, M2, M3)												
191	0121G00079P POST 32.5" (M4, M5, M6, M7, M8, M9)												
191	0121G00083P POST 36" (M10)												
211	M0221641 TF SHOULDER SCREW (QTY 4)												
221	0130M00075 CUT-OUT SWITCH, LOW PRESSURE												
NS	0159G00004 COMPRESSOR SCROLL HARNESS												
NS	0159G00010 COMPRESSOR SOLENOID CABLE (M8, M9, M10)												
NS	B1488806 COMPRESSOR SOUND BLANKET (M6, M7, M8, M9, M10)												
NS	B1488807 COMPRESSOR SOUND BLANKET (M1, M2, M3, M4, M5)												
NS	0128G00052 EVAP DRIP SHIELD												
NS	B1225022 SOLENOID COIL												
NS	0151M00060 VALVE ADJUSTABLE , TXV (M1, M2, M3, M4, M5, M6, M7)												
NS	0151M00050 VALVE, NXT (M8, M9, M10)												
<b>Image 2:</b>													
102	0130M00099 CONTROL, DEFROST (M1, M2, M3, M4, M5, M8, M9, M10)												
102	0130M00101 CONTROL, DEFROST (M6, M7)												
<b>Image 3:</b>													
33	0161G00008 ACCESS-FITTING BOX (M1, M2, M4, M6, M8)												
43	B1373315 ACCESS FITTING (QTY 2)												

# Top Panel / Control Box Assembly

Image 1

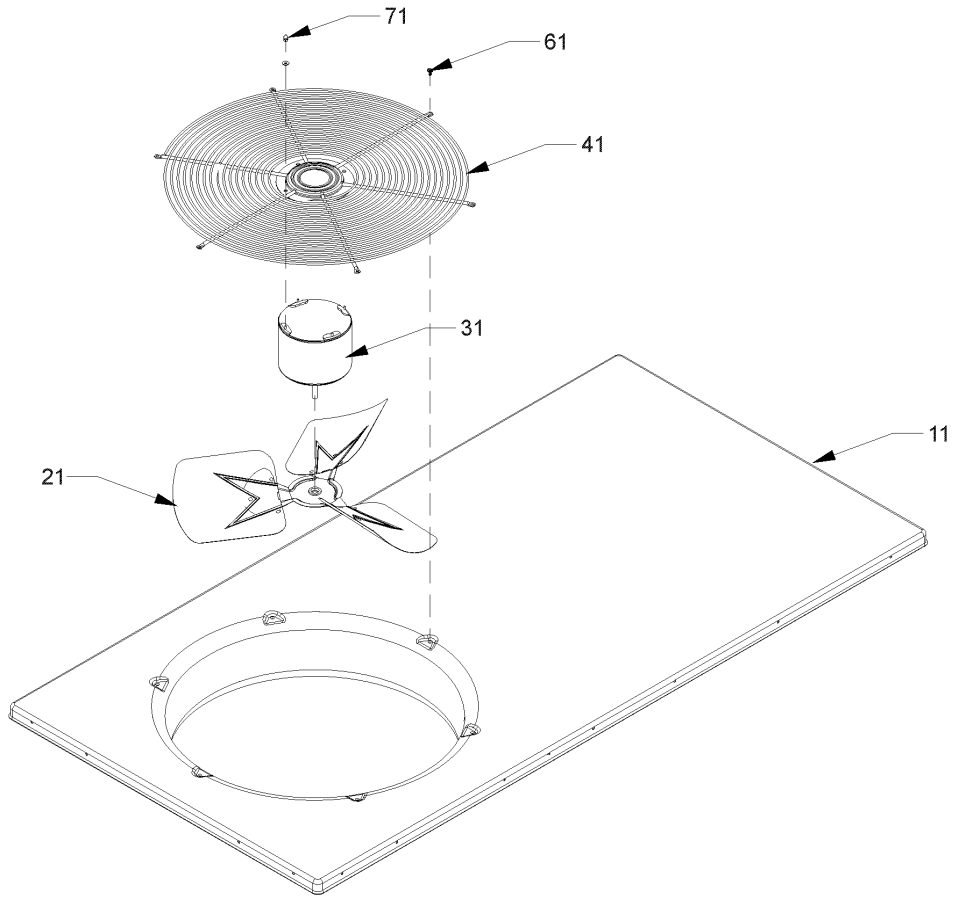
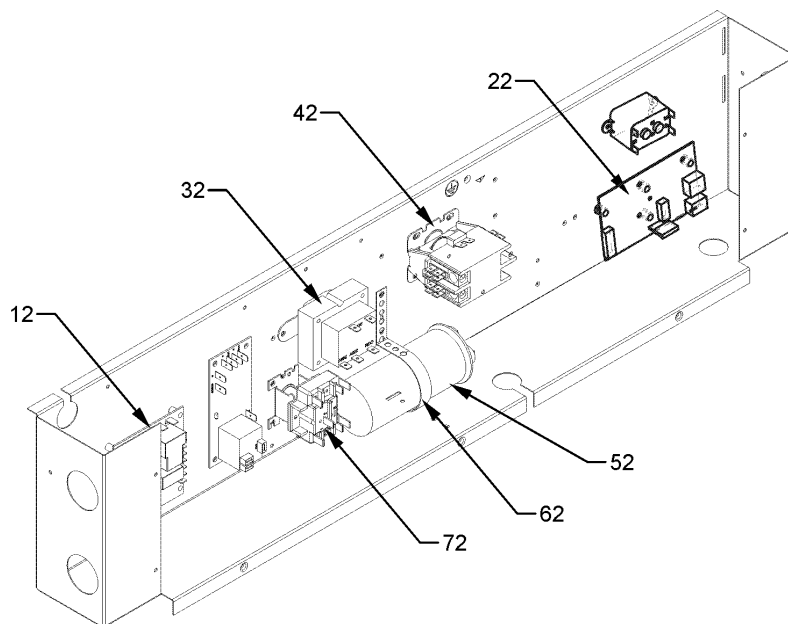


Image 2



# Top Panel / Control Box Assembly

Ref. Part No: No:	Description:	Ref. Part No: No:	Description:
-------------------	--------------	-------------------	--------------

**Image 1:**

11	0121G00274DG	TOP PANEL PAINTED
21	0150G00004	FAN BLADE (M6, M7, M8, M9, M10)
21	0150G00005	FAN BLADE (M1, M2, M3)
21	B1086765	FAN BLADE TYPE 3 (M4, M5)
31	0131M00061	COND MOTOR 1/4 HP, 1 SP, 8 PL (M4, M5)
31	0131M00429	COND MOTOR 1/4 HP, 1 SP, 6 PL (M6, M7, M8, M9, M10)
31	0131M00009P	COND MOTOR 1/6 HP, 1 SP, 8 PL (M1, M2, M3)
41	0152G00003	FAN GRILLE
61	M0221817	SMALL SCREW (QTY 6)
71	0163M00006P	ACORN NUT 5/16 HEX BLACK (QTY 4)
NS	17788000083F	PVC CONDUIT 8.25"
NS	0259G00071	WIRE HARNESS, ELECTRIC HEAT

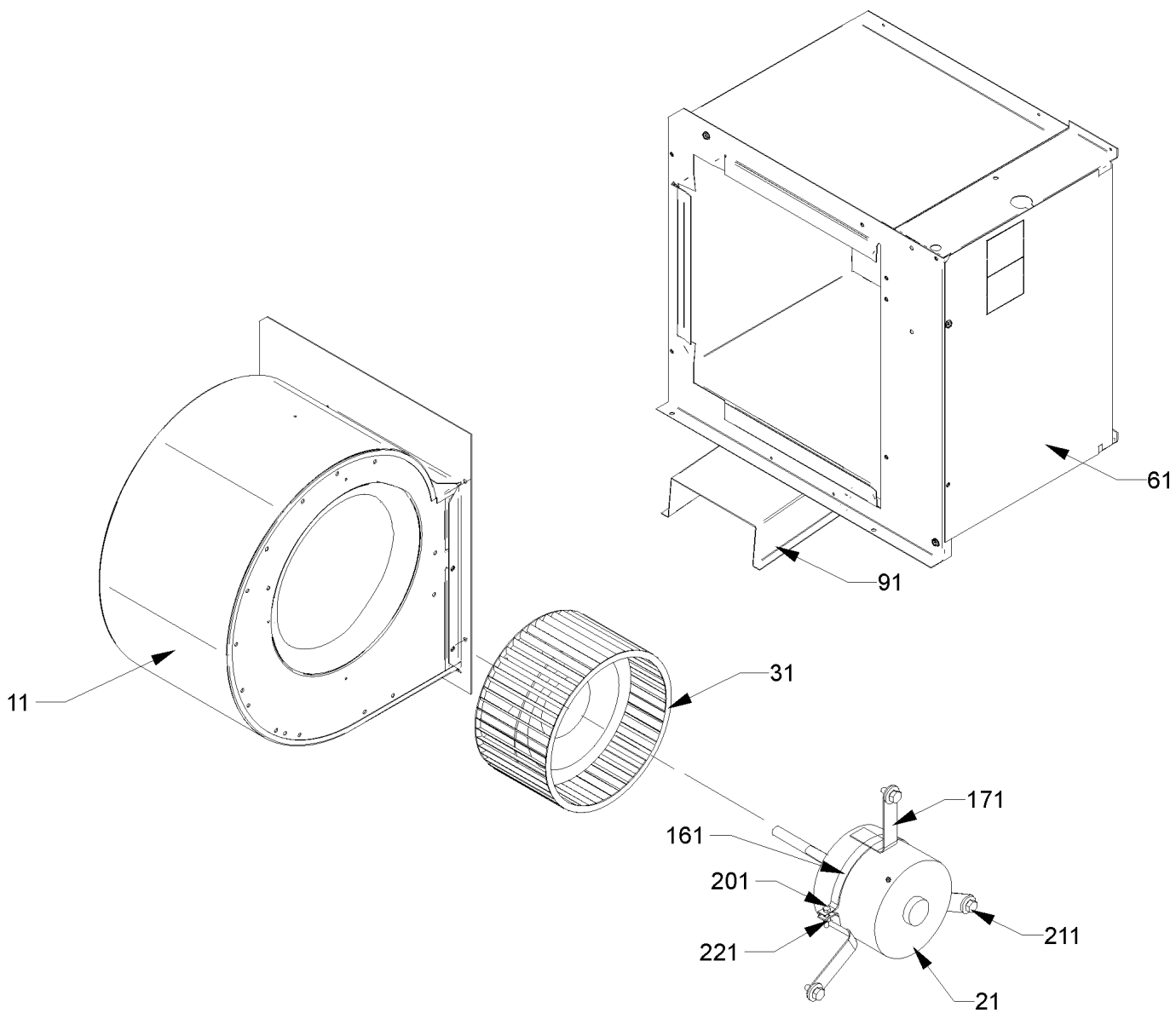
**Image 2:**

12	PCBDM133	DEFROST CONTROL BOARD
22	PCBEM102	PCB, ECM PRIMARY, VSTB
32	0130M00138	TRANSFORMER 208/230, 24V
42	CONT1P025024V	CONTACTOR 25 AMP, 1P, 24V (M1, M2, M3, M4, M5)
42	CONT1P030024V	CONTACTOR 30 AMP, 1P, 24V (M6, M7)
42	CONT2P040024V	CONTACTOR 40 AMP, 2P, 24V (M8, M9, M10)
52	CAP050300440CS	CAP, 5/30MFD/440V/DUAL RD (M8, M9)
52	CAP050400440CT	CAPACITOR 5/40/440V/DUAL RD (M1, M2, M3, M10)
52	CAP050450440CT	CAPACITOR 5/45/440V/DUAL RD (M4, M5, M6, M7)
62	20520901	CAPACITOR STRAP
72	0130M00242	RELAY, 24V (M8, M9, M10)
NS	B1378701	WIRE HARNESS, HIGH VOLTAGE (5-PIN ECM)
NS	B1378700	WIRE HARNESS, LOW VOLTAGE (16-PIN ECM)

**Expanded Model Nomenclature**

M1 - APH1624H41AA
M2 - APH1630H41AA
M3 - APH1630H41AB
M4 - APH1636H41AA
M5 - APH1636H41AB
M6 - APH1642H41AA
M7 - APH1642H41AB
M8 - APH1648H41AA
M9 - APH1648H41AB
M10 - APH1660H41AA

# Blower Assembly



# Blower Assembly

Ref. Part No:	Part No:	Description:	Ref. Part No:	Part No:	Description:
---------------	----------	--------------	---------------	----------	--------------

**Image 1:**

11	10324248	BLOWER HOUSING 10 X 8 (M1, M2, M3, M4, M5, M6, M7, M8, M9)
11	0271G00017	BLOWER HOUSING 11 X 8 (M10)
21	0131M00701	PROGRAMMED MOTOR (M1)
21	0131M00702	PROGRAMMED MOTOR (M2, M3)
21	0131M00703	PROGRAMMED MOTOR (M4, M5)
21	0131M00704	PROGRAMMED MOTOR (M6, M7)
21	0131M00705	PROGRAMMED MOTOR (M8, M9)
21	0131M00772	PROGRAMMED MOTOR-16 SEER DA (M10)
31	B1368016	BLOWER WHEEL 10 X 8 (M1, M2, M3, M4, M5, M6, M7, M8, M9)
31	B1368054	BLOWER WHEEL 11 X 8 (M10)
61	0121G00039P	HEATER KIT COVER
91	0121G00040P	BLOWER SUPPORT
NS	C6121810	BLOWER CUT-OFF (M1, M2, M3, M4, M5, M6, M7, M8, M9)
NS	2964700	BLOWER CUT-OFF 11 X 8 (M10)

**Image 2:**

162	0121M00038	MOTOR MOUNT BAND
172	B1376853	MOTOR MOUNT ARM (M1, M2, M3, M4, M5, M6, M7, M8, M9)
172	B1376857	MOTOR MOUNT ARM (M10)
202	B1393800	LOCKNUT, NYLON, INSERT 1/4, 20
212	M0250565	TC SCREW 1.25" (QTY 3)
222	B1393323	MACHINE SCREW HWH 1/4-20 X 1-1/2 BZ

**Expanded Model Nomenclature**

- M1 - APH1624H41AA
- M2 - APH1630H41AA
- M3 - APH1630H41AB
- M4 - APH1636H41AA
- M5 - APH1636H41AB
- M6 - APH1642H41AA
- M7 - APH1642H41AB
- M8 - APH1648H41AA
- M9 - APH1648H41AB
- M10 - APH1660H41AA