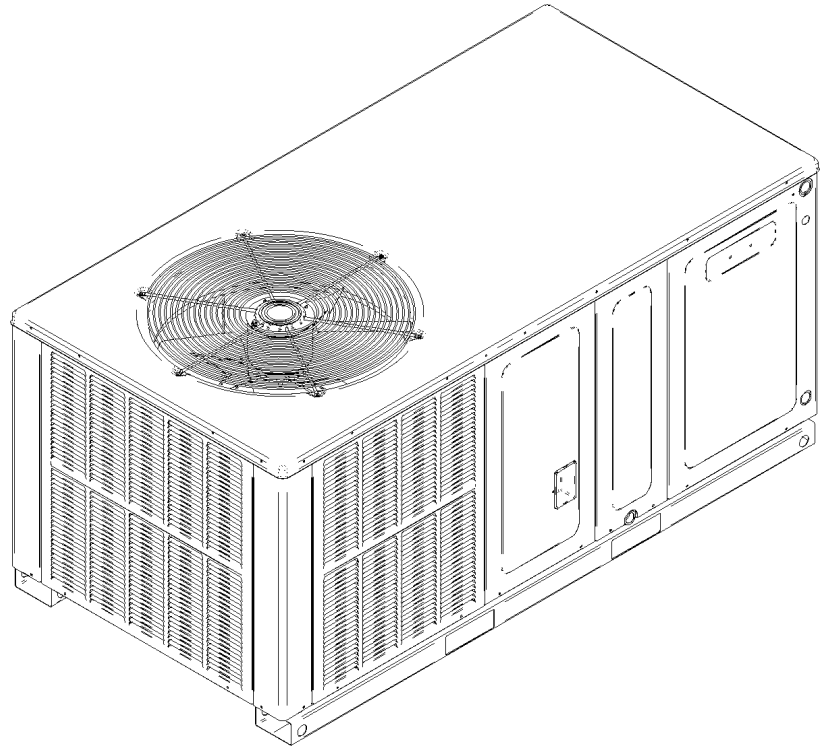


## APH14 Horizontal Package Heat Pumps

APH1424H41DC  
APH1424H41DD  
APH1430H41DC  
APH1430H41DD  
APH1436H41DC  
APH1436H41DD  
APH1442H41EA  
APH1442H41EB  
APH1442H41EC  
APH1448H41EA  
APH1448H41EB  
APH1448H41EC  
APH1460H41EA  
APH1460H41EB  
APH1460H41EC  
APH1460H41FA



Amana® is a registered trademark of Maytag Corporation or its related companies and is used under license. All rights reserved.

This manual is to be used by qualified technicians only.

This manual replaces RP-A3005C.

© 2014 - 2016, 2018 Goodman Company, L.P. ♦ 5151 San Felipe St, Suite 500 ♦ Houston, TX 77056

# Important Information

---

## Index

Functional Parts List .....	3
Illustration and Parts .....	4 - 11

*Views shown are for parts illustrations only, not servicing procedures*

### Text Codes:

AR - As Required

NA - Not Available

NS - Not Shown

00000000 - See Note

QTY - Quantity Example (QTY 3) (If Quantity not shown, Quantity = 1)

M - Model Example (M1) (If M Code not shown, then part is used on all Models)

### Expanded Model Nomenclature:

Example M1 - Model#1 M2 - Model#2 M3 - Model#3
---

Goodman Company, L.P. is not responsible for personal injury or property damage resulting from improper service. Review all service information before beginning repairs.

Warranty service must be performed by an authorized technician, using authorized factory parts. If service is required after the warranty expires, Goodman Company, L.P. also recommends contacting an authorized technician and using authorized factory parts.

Goodman Company, L.P. reserves the right to discontinue, or change at any time, specifications or designs without notice or without incurring obligations.

For assistance within the U.S.A. contact:

Homeowner Support  
Goodman Company, L.P.  
19001 Kermier Road  
Waller, Texas 77484  
877-254-4729-Telephone  
713-863-2382-Facsimile

For assistance outside the U.S.A. contact:

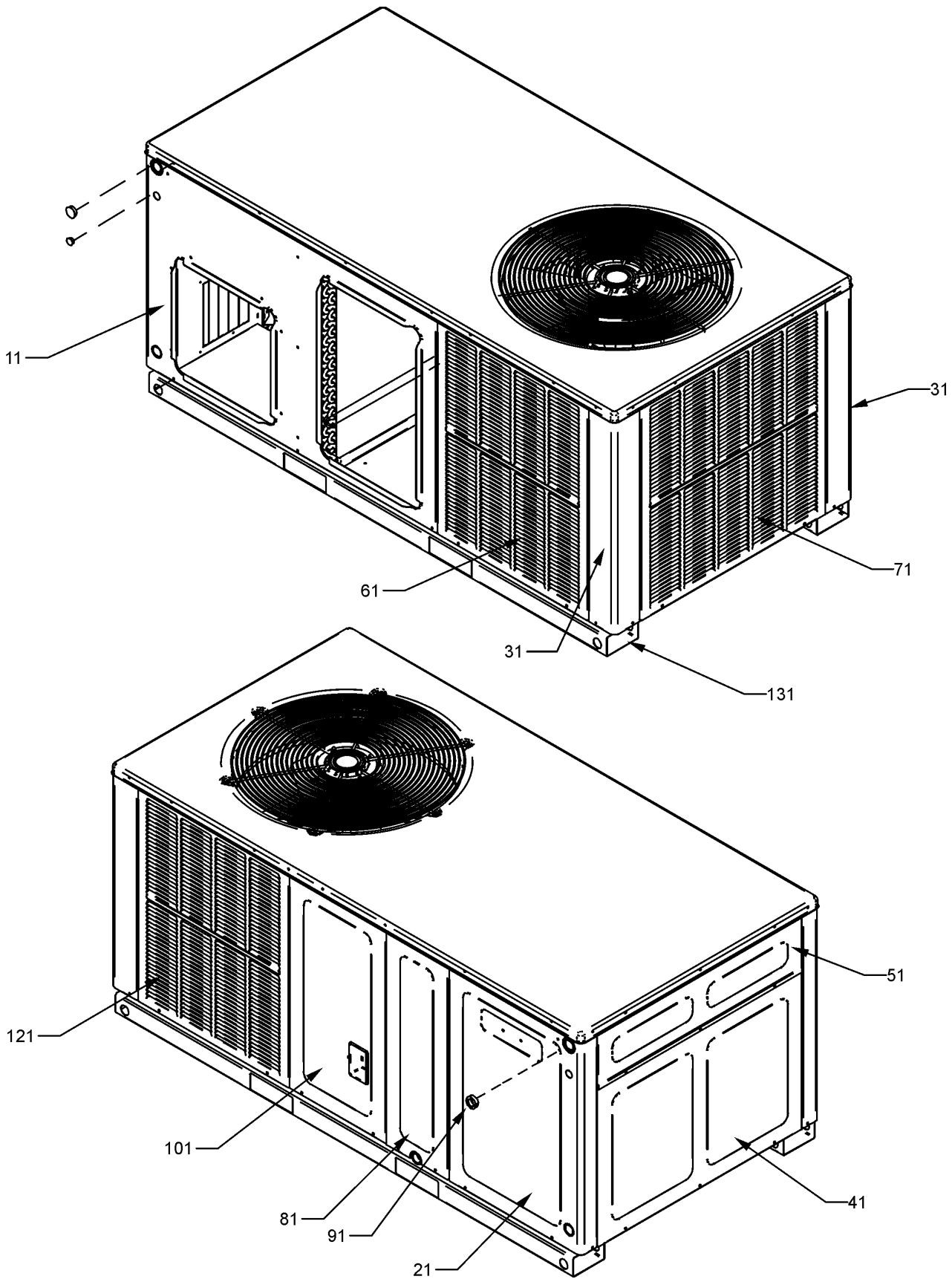
International Division  
Goodman Company, L.P.  
19001 Kermier Road  
Waller, Texas 77484  
713-861-2500-Telephone  
713-863-2382-Facsimile

# Functional Parts

**Part No:**      **Description:**

Part No:	Description:	Expanded Model Nomenclature
B1368016	BLOWER WHEEL 10 X 8 (M1, M2, M3, M4, M5, M6, M7, M8, M9, M10, M11, M12)	M1 - APH1424H41DC
B1368054	BLOWER WHEEL 11 X 8 (M13, M14, M15, M16)	M2 - APH1424H41DD
CAP050400440CT	CAPACITOR 5/40/440V/DUAL RD (M1, M2, M3, M4)	M3 - APH1430H41DC
CAP050450440CT	CAPACITOR 5/45/440V/DUAL RD (M5, M6, M7, M8, M9, M10, M11, M12)	M4 - APH1430H41DD
CAP050700440CT	CAPACITOR 5/70/440V/DUAL RD (M13, M14, M15, M16)	M5 - APH1436H41DC
ZP21K5EPFV130	COMPRESSOR 21300, 208/230/60/1 (M1, M2)	M6 - APH1436H41DD
ZP25K5EPFV130	COMPRESSOR 25200, 208/230/60/1 (M3, M4)	M7 - APH1442H41EA
ZP31K5EPFV130	COMPRESSOR 31100, 208/230/60/1 (M5, M6)	M8 - APH1442H41EB
ZP34K5EPFV130	COMPRESSOR 34500, 208/230/60/1 (M7, M8, M9)	M9 - APH1442H41EC
ZP39K5EPFV130	COMPRESSOR 39000, 208/230/60/1 (M10, M11, M12)	M10 - APH1448H41EA
ZP51K5EPFV130	COMPRESSOR 51000, 208/230/60/1 (M13, M14, M15, M16)	M11 - APH1448H41EB
0131M00061	COND MOTOR 1/4 HP, 1 SP, 8 PL (M5, M6)	M12 - APH1448H41EC
0131M00009P	COND MOTOR 1/6 HP, 1 SP, 8 PL (M1, M2, M3, M4)	M13 - APH1460H41EA
0131M00429	COND MOTOR, 1/4 HP, 1 SP, 6 PL (M7, M8, M9, M10, M11, M12, M13, M14, M15, M16)	M14 - APH1460H41EB
CONT1P025024V	CONTACTOR 25 AMP, 1P, 24V (M1, M2, M3, M4, M5, M6)	M15 - APH1460H41EC
CONT1P030024V	CONTACTOR 30 AMP, 1P, 24V (M7, M8, M9, M10, M11, M12)	M16 - APH1460H41FA
CONT2P040024V	CONTACTOR 40 AMP, 2P, 24V (M13, M14, M15, M16)	
0130M00101	CONTROL, DEFROST (M7, M8, M9, M13)	
0130M00099	CONTROL, DEFROST (M1, M2, M3, M4, M5, M6, M10, M11, M12, M14, M15, M16)	
0230G00005	CRANKCASE HEATER SWITCH (M13, M14, M15, M16)	
0130M00089	CUT-OUT SWITCH, HIGH PRESSURE (M16)	
0130M00074	CUT-OUT SWITCH, HIGH PRESSURE (M1, M2, M3, M4, M5, M6, M7, M8, M9, M10, M11, M12, M13, M14, M15)	
0130M00075	CUT-OUT SWITCH, LOW PRESSURE	
PCBDM133	DEFROST CONTROL BOARD	
0130M00106	DISC THERMOSTAT CRNKCS HTR SW (M13, M14, M15, M16)	
0150G00004	FAN BLADE (M7, M8, M9, M10, M11, M12, M13, M14, M15, M16)	
0150G00005	FAN BLADE (M1, M2, M3, M4)	
B1086765	FAN BLADE TYPE 3 (M5, M6)	
0163R00003	HEATER, CRANKCASE 230V 40W (M13, M14, M15, M16)	
0131G00035	PROGRAMMED MOTOR (M10, M11, M12)	
0131M00602	PROGRAMMED MOTOR (M7, M8, M9)	
0131M00604	PROGRAMMED MOTOR (M13, M14, M15, M16)	
0131M00598	PROGRAMMED MOTOR (M1, M2)	
0131M00600	PROGRAMMED MOTOR (M3, M4)	
0131M00596	PROGRAMMED MOTOR (M5, M6)	
0151R00071	REVERSING VALVE (M5, M6, M7, M8, M9, M10, M11, M12, M13, M14, M15, M16)	
0151R00069	REVERSING VALVE (M1, M2, M3, M4)	
B1225022	SOLENOID COIL	
0130M00138	TRANSFORMER, 208/230, 24V	

# Cabinet Assembly



# Cabinet Assembly

Ref. Part No: No:	Description:	Ref. Part No: No:	Description:
<b>Image 1:</b>		<b>Expanded Model Nomenclature</b>	
11	0121G00667PDG DUCT PANEL 27.5" (M1, M2, M3, M4)	M1	APH1424H41DC
11	0121G00051PDG DUCT PANEL 32.5" (M7, M10)	M2	APH1424H41DD
11	0121G00668PDG DUCT PANEL 32.5" (M5, M6, M8, M9, M11, M12)	M3	APH1430H41DC
11	0121G00084PDG DUCT PANEL 36" (M13)	M4	APH1430H41DD
11	0121G00669PDG DUCT PANEL 36" (M14, M15, M16)	M5	APH1436H41DC
21	0121G00664DG CORNER PANEL 27.5" (M1, M2, M3, M4)	M6	APH1436H41DD
21	0121G00522DG CORNER PANEL 32.5" (M7, M10)	M7	APH1442H41EA
21	0121G00665DG CORNER PANEL 32.5" (M5, M6, M8, M9, M11, M12)	M8	APH1442H41EB
21	0121G00523DG CORNER PANEL 36" (M13)	M9	APH1442H41EC
21	0121G00666DG CORNER PANEL 36" (M14, M15, M16)	M10	APH1448H41EA
31	0121G00047PDG CORNER POST 27.5" (M1, M2, M3, M4)	M11	APH1448H41EB
31	0121G00048PDG CORNER POST 32.5" (M5, M6, M7, M8, M9, M10, M11, M12)	M12	APH1448H41EC
31	0121G00082PDG CORNER POST 36" (M13, M14, M15, M16)	M13	APH1460H41EA
41	0121G00271DG EXTERNAL BLOWER PANEL 27.5" (M1, M2, M3, M4)	M14	APH1460H41EB
41	0121G00272DG EXTERNAL BLOWER PANEL 32.5" (M5, M6, M7, M8, M9, M10, M11, M12)	M15	APH1460H41EC
41	0121G00273DG EXTERNAL BLOWER PANEL 36" (M13, M14, M15, M16)	M16	APH1460H41FA
51	0121G00276DG EXTERNAL CONTROL BOX PANEL		
61	0121G00069PLG LOUVERED PANEL 4 BANK 27.5" (M1, M2, M3, M4)		
61	0121G00070PLG LOUVERED PANEL 4 BANK 32.5" (M5, M6, M7, M8, M9, M10, M11, M12)		
61	0121G00090PLG LOUVERED PANEL 4 BANK 36" (M13, M14, M15, M16)		
71	0121G00072PLG LOUVERED PANEL 5 BANK 27.5" (M1, M2, M3, M4)		
71	0121G00073PLG LOUVERED PANEL 5 BANK 32.5" (M5, M6, M7, M8, M9, M10, M11, M12)		
71	0121G00091PLG LOUVERED PANEL 5 BANK 36" (M13, M14, M15, M16)		
81	0121G00065PDG EVAP PANEL 8.75"X27.5" (M1, M2, M3, M4)		
81	0121G00066PDG EVAP PANEL 8.75"X32.5" (M5, M6, M7, M8, M9, M10, M11, M12)		
81	0121G00089PDG EVAP PANEL RMV, 36" EXT (M13, M14, M15, M16)		
91	B1392011 GROMMET / HS .62 - .45		
101	0121G00712DG COMPRESSOR PANEL (M6, M9, M12)		
101	0121G00713DG COMPRESSOR PANEL (M2, M4)		
101	0121G00715DG COMPRESSOR PANEL (M15, M16)		
101	0121G00062PDG COMPRESSOR PANEL 13.68" x 27.50" (M1, M3)		
101	0121G00060PDG COMPRESSOR PANEL 8.75" x 32.50" (M5, M7, M8, M10, M11)		
101	0121G00087PDG COMPRESSOR PANEL 8.75" x 36" (M13, M14)		
121	0121G00072PLG LOUVERED PANEL 5 BANK 27.5" (M1, M2, M3, M4)		
121	0121G00073PLG LOUVERED PANEL 5 BANK 32.5" (M5, M6, M7, M8, M9, M10, M11, M12)		
121	0121G00091PLG LOUVERED PANEL 5 BANK 36" (M13, M14, M15, M16)		
131	0121G00044PRF BASEPAN RAIL (QTY 2)		
NS	0164G00005 GROMMET-HORSESHOE 1.675 (M2, M4, M6, M9, M12, M15, M16)		

# Chassis Assembly

Image 1

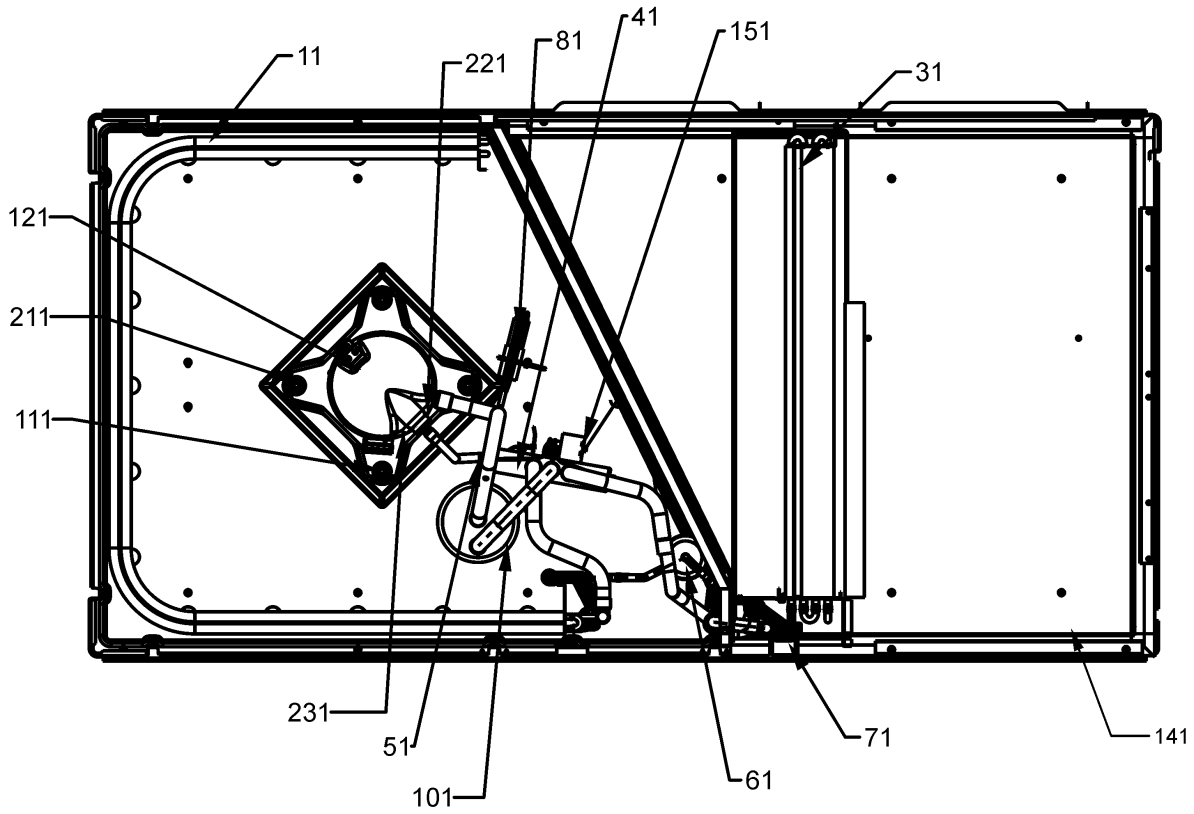


Image 2

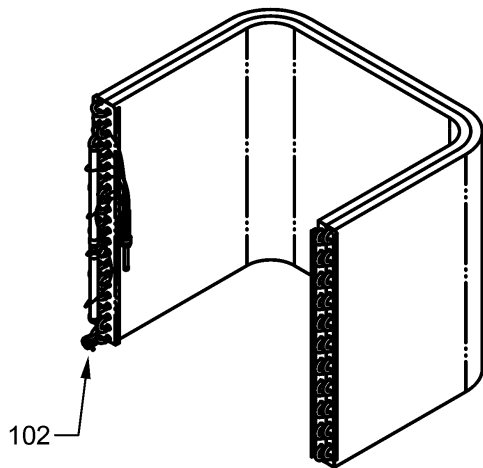
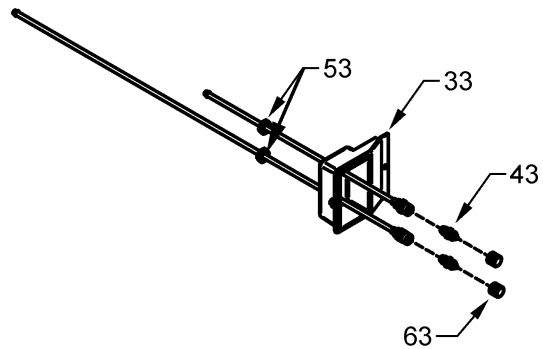


Image 3



# Chassis Assembly

Ref. Part No:	Description:	Ref. Part No:	Description:
<b>Image 1:</b>		<b>Image 1:</b>	
11	0201G00279 TUBING ASSY, COND COIL (M1, M2, M3, M4)	NS	0162M00310 FLOWRATOR, AL [EVAP] (M14, M15, M16)
11	0201G00298 TUBING ASSY, COND COIL (M5, M6)	NS	0162M00311 FLOWRATOR, AL [EVAP] (M8, M9, M11, M12)
11	0201G00332 TUBING ASSY, COND COIL (M10, M11, M12)	NS	0162M00312 FLOWRATOR, AL [EVAP] (M5, M6)
11	0201G00343 TUBING ASSY, COND COIL (M13, M14, M15)	NS	0162M00313 FLOWRATOR, AL [EVAP] (M1, M2)
11	0201G00344 TUBING ASSY, COND COIL (M7, M8, M9)	NS	0162M00314 FLOWRATOR, AL [EVAP] (M3, M4)
11	0201R00676 TUBING ASSY, COND COIL (M16)	NS	0121G00045P POST 27.5" (M1, M2, M3, M4)
31	0202G00517 TUBING ASSY, EVAP COIL (M7, M10)	NS	0121G00079P POST 32.5" (M5, M6, M7, M8, M9, M10, M11, M12)
31	0202G00518 TUBING ASSY, EVAP COIL (M13)	NS	0121G00083P POST 36" (M13, M14, M15, M16)
31	0202G00559 TUBING ASSY, EVAP COIL (M1, M2)	<b>Image 2:</b>	
31	0202G00560 TUBING ASSY, EVAP COIL (M3, M4)	102	0130M00099 CONTROL, DEFROST (M1, M2, M3, M4, M5, M6, M10, M11, M12, M14, M15, M16)
31	0202G00561 TUBING ASSY, EVAP COIL (M5, M6)	102	0130M00101 CONTROL, DEFROST (M7, M8, M9, M13)
31	0202G00562 TUBING ASSY, EVAP COIL (M8, M9, M11, M12)	<b>Image 3:</b>	
31	0202G00598 TUBING ASSY, EVAP COIL (M14, M15, M16)	33	0161G00008 ACCESS-FITTING BOX (M1, M3, M5, M7, M8, M10, M11, M13, M14)
41	0151R00069 REVERSING VALVE (M1, M2, M3, M4)	43	B1373315 ACCESS FITTING (QTY 2)
41	0151R00071 REVERSING VALVE (M5, M6, M7, M8, M9, M10, M11, M12, M13, M14, M15, M16)	53	0163G00000P FASTEST FITTING NUT (M1, M3, M5, M7, M8, M10, M11, M13, M14)
51	0130M00074 CUT-OUT SWITCH, HIGH PRESSURE (M1, M2, M3, M4, M5, M6, M7, M8, M9, M10, M11, M12, M13, M14, M15)	63	0163M00175 CAP WITH O-RING (QTY 2)
51	0130M00089 CUT-OUT SWITCH, HIGH PRESSURE (M16)	<b>Expanded Model Nomenclature</b>	
61	B1219204 BI-FLOW FILTER DRIER	<div style="border: 1px solid black; padding: 5px;"> M1 - APH1424H41DC  M2 - APH1424H41DD  M3 - APH1430H41DC  M4 - APH1430H41DD  M5 - APH1436H41DC  M6 - APH1436H41DD  M7 - APH1442H41EA  M8 - APH1442H41EB  M9 - APH1442H41EC  M10 - APH1448H41EA  M11 - APH1448H41EB  M12 - APH1448H41EC  M13 - APH1460H41EA  M14 - APH1460H41EB  M15 - APH1460H41EC  M16 - APH1460H41FA </div>	
71	0161G00000P DRIP PAN		
81	0130M00075 CUT-OUT SWITCH, LOW PRESSURE		
101	B1226206 ACCUMULATOR (M1, M2, M3, M4)		
101	B1226207 ACCUMULATOR .875 (M5, M6, M7, M8, M9, M10, M11, M12, M13, M14, M15, M16)		
111	B1339533 COMPRESSOR GROMMET (QTY 4)		
121	ZP21K5EPFV130 COMPRESSOR 21300, 208/230/60/1 (M1, M2)		
121	ZP25K5EPFV130 COMPRESSOR 25200, 208/230/60/1 (M3, M4)		
121	ZP31K5EPFV130 COMPRESSOR 31100, 208/230/60/1 (M5, M6)		
121	ZP34K5EPFV130 COMPRESSOR 34500, 208/230/60/1 (M7, M8, M9)		
121	ZP39K5EPFV130 COMPRESSOR 39000, 208/230/60/1 (M10, M11, M12)		
121	ZP51K5EPFV130 COMPRESSOR 51000, 208/230/60/1 (M13, M14, M15, M16)		
141	0121G00046P BASEPAN		
151	B1225022 SOLENOID COIL		
211	M0221641 TF SHOULDER SCREW (QTY 4)		
221	0230G00005 CRANKCASE HEATER SWITCH (M13, M14, M15, M16)		
231	0163R00003 HEATER, CRANKCASE 230V 40W (M13, M14, M15, M16)		
NS	0159G00004 COMPRESSOR SCROLL HARNESS		
NS	B1488806 COMPRESSOR SOUND BLANKET (M8, M9, M11, M12, M14, M15, M16)		
NS	B1488807 COMPRESSOR SOUND BLANKET (M1, M2, M3, M4, M5, M6, M7, M10, M13)		
NS	0130M00106 DISC THERMOSTAT CRNKCS HTR SW (M13, M14, M15, M16)		
NS	0128G00052 EVAP DRIP SHIELD		
NS	0162M00012P FLOWRATER .071 [COND] (M13, M14, M15)		
NS	0162M00021P FLOWRATOR .047 [COND] (M1, M2, M3, M4)		
NS	0162M00098 FLOWRATOR [COND] (M7, M8, M9, M10, M11, M12)		
NS	0162M00213 FLOWRATOR [COND] (M5, M6)		
NS	0162M00399 FLOWRATOR [COND] (M16)		
NS	0162M00197 FLOWRATOR [EVAP] (M13)		
NS	0162M00218 FLOWRATOR, AL [EVAP] (M7, M10)		

# Top Panel and Control Box Assembly

Image 1

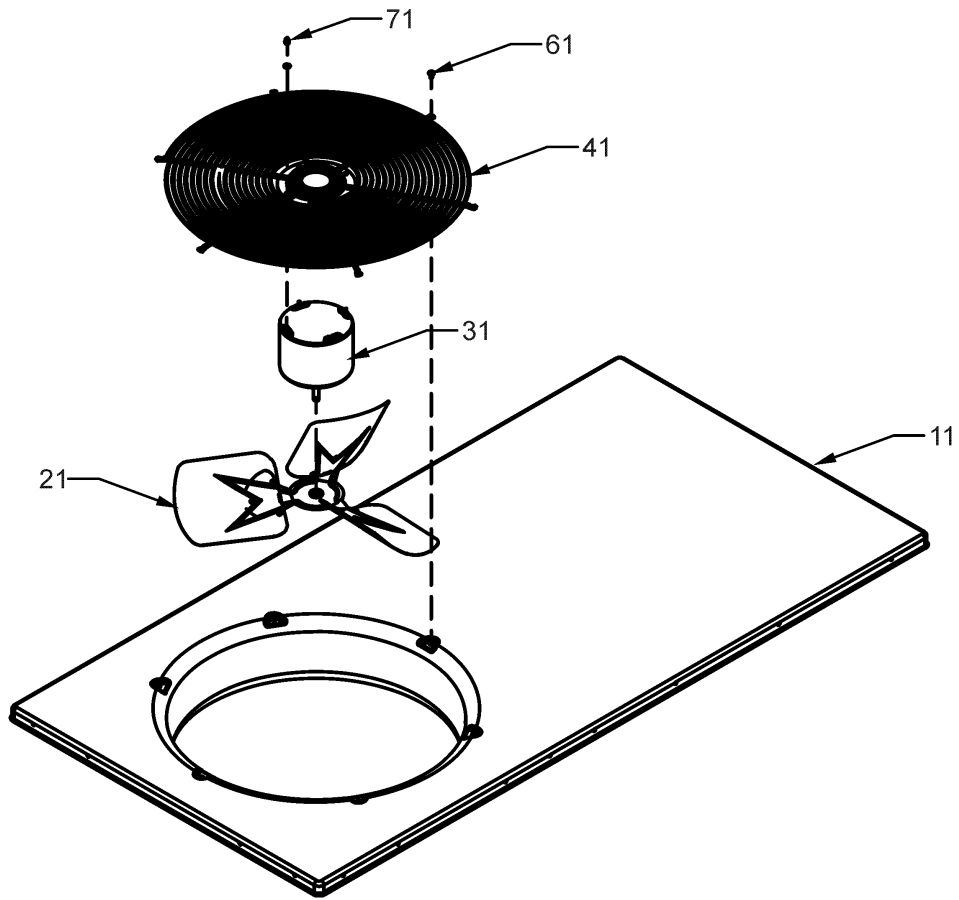
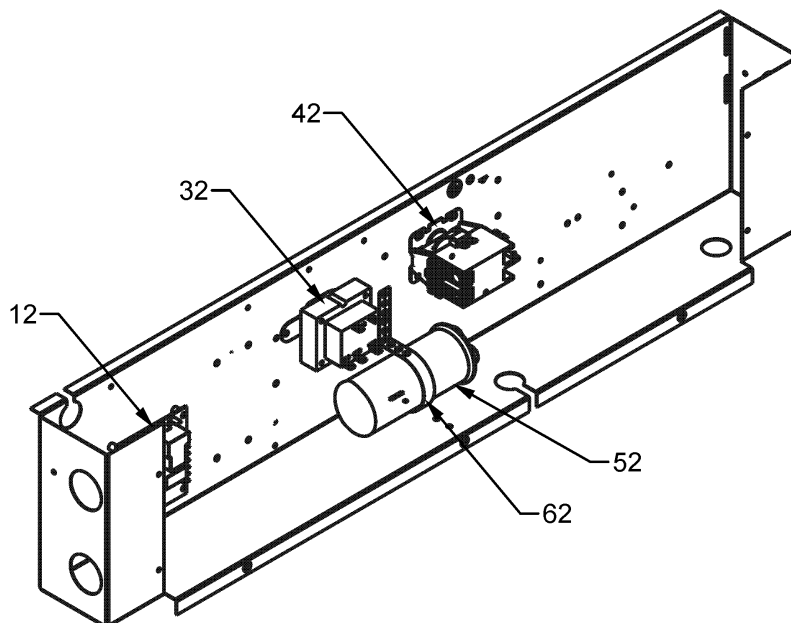


Image 2



# Top Panel and Control Box Assembly

Ref. Part No: No:	Description:	Ref. Part No: No:	Description:
-------------------	--------------	-------------------	--------------

**Image 1:**

11	0121G00274DG	TOP PANEL PAINTED
21	0150G00004	FAN BLADE (M7, M8, M9, M10, M11, M12, M13, M14, M15, M16)
21	0150G00005	FAN BLADE (M1, M2, M3, M4)
21	B1086765	FAN BLADE TYPE 3 (M5, M6)
31	0131M00061	COND MOTOR 1/4 HP, 1 SP, 8 PL (M5, M6)
31	0131M00009P	COND MOTOR 1/6 HP, 1 SP, 8 PL (M1, M2, M3,
31	0131M00429	COND MOTOR, 1/4 HP, 1 SP, 6 PL (M7, M8, M9, M10, M11, M12, M13, M14, M15, M16)
41	0152G00003	FAN GRILLE
61	M0221817	SMALL SCREW (QTY 4)
71	0163M00006P	ACORN NUT 5/16 HEX BLACK (QTY 4)
NS	17788000083F	PVC CONDUIT 8.25"

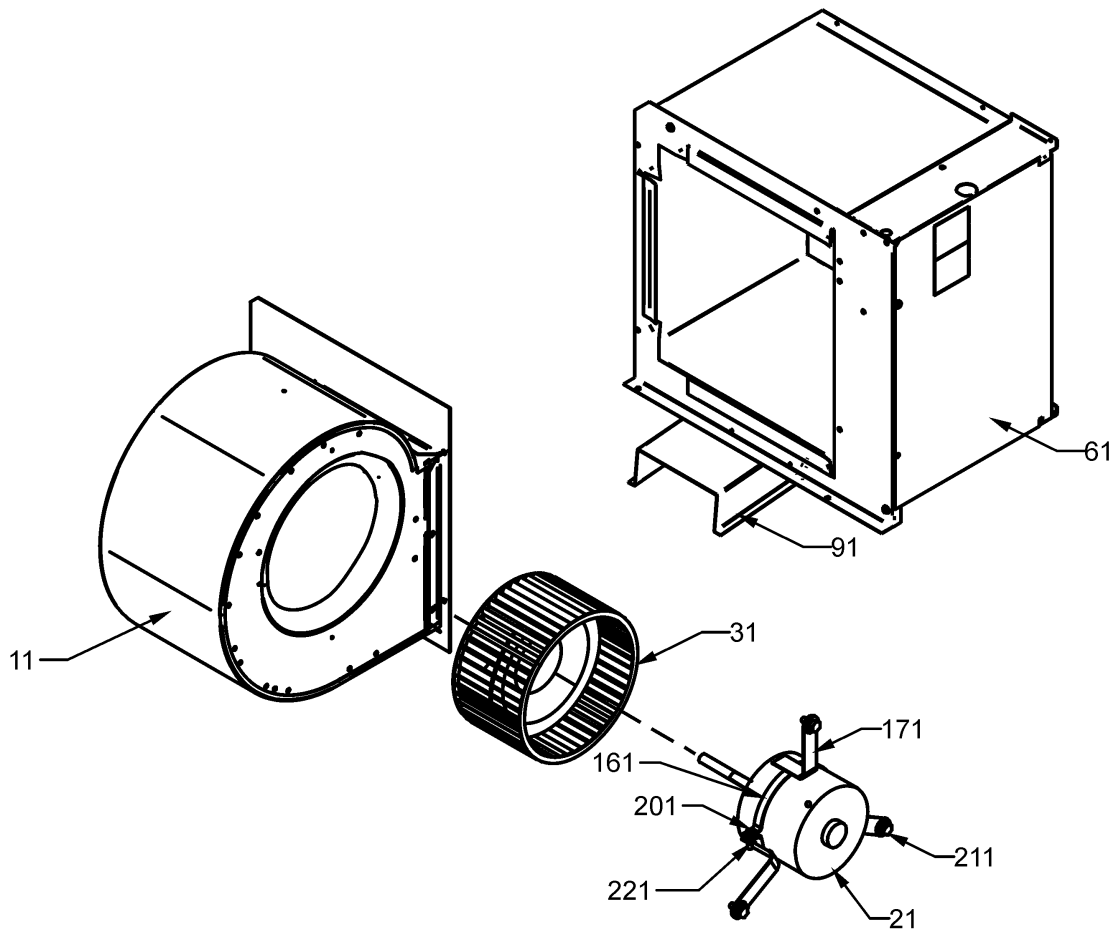
**Image 2:**

12	PCBDM133	DEFROST CONTROL BOARD
32	0130M00138	TRANSFORMER, 208/230, 24V
42	CONT1P025024V	CONTACTOR 25 AMP, 1P, 24V (M1, M2, M3, M4, M5, M6)
42	CONT1P030024V	CONTACTOR 30 AMP, 1P, 24V (M7, M8, M9, M10, M11, M12)
42	CONT2P040024V	CONTACTOR 40 AMP, 2P, 24V (M13, M14, M15, M16)
52	CAP050400440CT	CAPACITOR 5/40/440V/DUAL RD (M1, M2, M3, M4)
52	CAP050450440CT	CAPACITOR 5/45/440V/DUAL RD (M5, M6, M7, M8, M9, M10, M11, M12)
52	CAP050700440CT	CAPACITOR 5/70/440V/DUAL RD (M13, M14, M15, M16)
62	20520901	CAPACITOR STRAP
NS	0259G00003	WIRE HARNESS, ELECTRIC HEAT

**Expanded Model Nomenclature**

M1 - APH1424H41DC
M2 - APH1424H41DD
M3 - APH1430H41DC
M4 - APH1430H41DD
M5 - APH1436H41DC
M6 - APH1436H41DD
M7 - APH1442H41EA
M8 - APH1442H41EB
M9 - APH1442H41EC
M10 - APH1448H41EA
M11 - APH1448H41EB
M12 - APH1448H41EC
M13 - APH1460H41EA
M14 - APH1460H41EB
M15 - APH1460H41EC
M16 - APH1460H41FA

# Blower Assembly



# Blower Assembly

Ref. Part No: No:	Description:	Ref. Part No: No:	Description:
<b>Image 1:</b>			
11 10324248	BLOWER HOUSING 10 X 8 (M1, M2, M3, M4, M5, M6, M7, M8, M9, M10, M11, M12)		
11 0271G00017	BLOWER HOUSING 11 X 8 (M13, M14, M15, M16)		
21 0131G00035	PROGRAMMED MOTOR (M10, M11, M12)		
21 0131M00596	PROGRAMMED MOTOR (M5, M6)		
21 0131M00598	PROGRAMMED MOTOR (M1, M2)		
21 0131M00600	PROGRAMMED MOTOR (M3, M4)		
21 0131M00602	PROGRAMMED MOTOR (M7, M8, M9)		
21 0131M00604	PROGRAMMED MOTOR (M13, M14, M15, M16)		
31 B1368016	BLOWER WHEEL 10 X 8 (M1, M2, M3, M4, M5, M6, M7, M8, M9, M10, M11, M12)		
31 B1368054	BLOWER WHEEL 11 X 8 (M13, M14, M15, M16)		
61 0121G00039P	HEATER KIT COVER		
91 0121G00040P	BLOWER SUPPORT		
161 0121M00038	MOTOR MOUNT BAND		
171 B1376853	MOTOR MOUNT ARM (M1, M2, M3, M4, M5, M6, M7, M8, M9, M10, M11, M12)		
171 B1376857	MOTOR MOUNT ARM (M13, M14, M15, M16)		
201 B1393323	MACHINE SCREW HWH 1/4-20 X 1-1/2 BZ		
211 M0250565	TC SCREW 1.25" (QTY 3)		
221 B1393800	LOCKNUT, NYLON, INSERT 1/4, 20		
NS C6121810	BLOWER CUT-OFF (M1, M2, M3, M4, M5, M6, M7, M8, M9, M10, M11, M12)		
NS 2964700	BLOWER CUT-OFF 11 X 8 (M13, M14, M15, M16)		

## Expanded Model Nomenclature

M1 - APH1424H41DC
M2 - APH1424H41DD
M3 - APH1430H41DC
M4 - APH1430H41DD
M5 - APH1436H41DC
M6 - APH1436H41DD
M7 - APH1442H41EA
M8 - APH1442H41EB
M9 - APH1442H41EC
M10 - APH1448H41EA
M11 - APH1448H41EB
M12 - APH1448H41EC
M13 - APH1460H41EA
M14 - APH1460H41EB
M15 - APH1460H41EC
M16 - APH1460H41FA