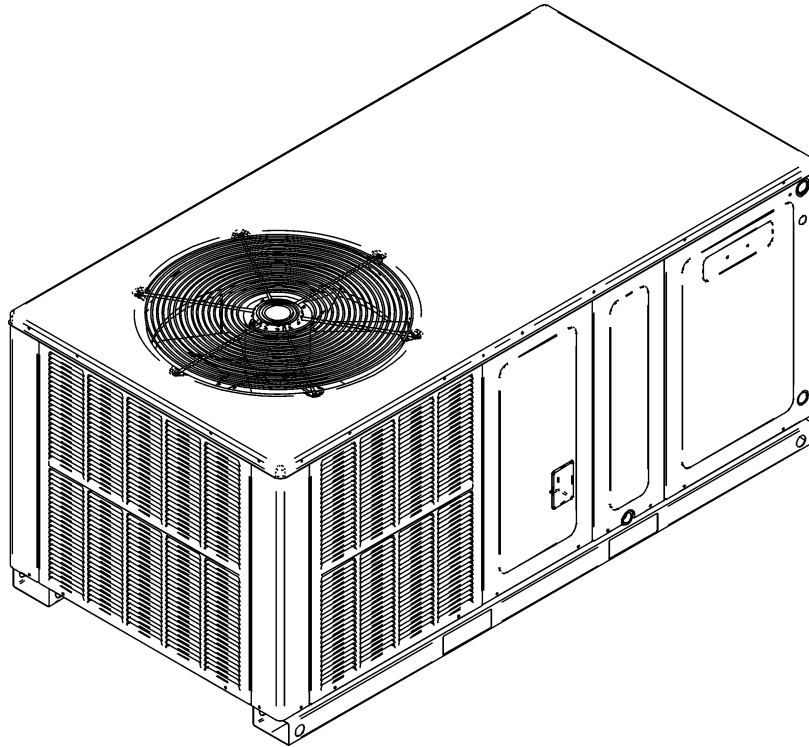


## APH13 "H" Series Package Heat Pump Units

APH1324H41CA  
APH1330H41CA  
APH1336H41CA  
APH1342H41CA  
APH1348H41DA  
APH1360H41DA



Amana is a registered trademark of Maytag Corporation or its related companies and is used under license to Goodman Company, L.P., Houston, TX. All rights reserved.

This manual is to be used by qualified technicians only.

This manual replaces RP-830.

© 2014 Goodman Company, L.P. ♦ 5151 San Felipe St., Suite 500 ♦ Houston, TX 77056

# Important Information

---

## Index

Functional Parts List .....	3
Illustration and Parts .....	4 - 11

*Views shown are for parts illustrations only, not servicing procedures*

Rev. A: Replaced Blower Assy with Blower Housing. Updated Reversing Valve part numbers. Updated suction and liquid tube assembly part numbers. Added blower motor 0131M00389 for M6 models. Corrected Blower Wheel part number for M2 models.

### Text Codes:

AR - As Required

NA - Not Available

NS - Not Shown

00000000 - See Note

QTY - Quantity Example (QTY 3) (If Quantity not shown, Quantity = 1)

M - Model Example (M1) (If M Code not shown, then part is used on all Models)

### Expanded Model Nomenclature:

Example M1 - Model#1 M2 - Model#2 M3 - Model#3
---

Goodman Company, L.P. is not responsible for personal injury or property damage resulting from improper service. Review all service information before beginning repairs.

Warranty service must be performed by an authorized technician, using authorized factory parts. If service is required after the warranty expires, Goodman Company, L.P. also recommends contacting an authorized technician and using authorized factory parts.

Goodman Company, L.P. reserves the right to discontinue, or change at any time, specifications or designs without notice or without incurring obligations.

For assistance within the U.S.A. contact:

Consumer Affairs Department  
Goodman Company, L.P.  
7401 Security Way  
Houston, Texas 77040  
877-254-4729-Telephone  
713-863-2382-Facsimile

For assistance outside the U.S.A. contact:

International Division  
Goodman Company, L.P.  
7401 Security Way  
Houston, Texas 77040  
713-861-2500-Telephone  
713-863-2382-Facsimile

# Functional Parts

## Part

## No: Description:

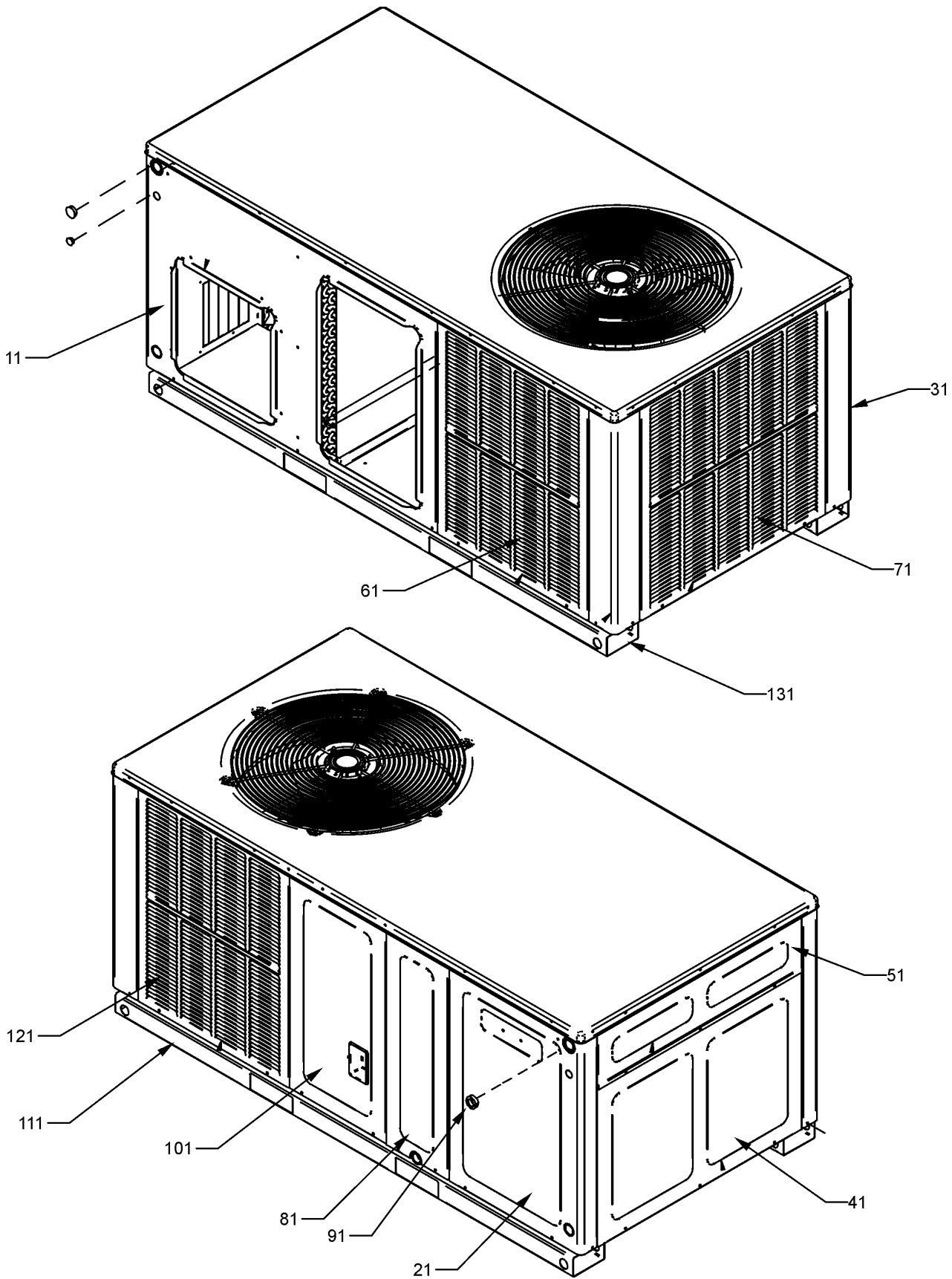
---

0130M00014	240 VOLT RELAY (M1, M2, M3, M4, M5)
0131M00425	BLOWER MOTOR (M6)
0131M00010P	BLOWER MOTOR 1/2 HP, 3 SP, 8 PL (M4, M5)
11091202	BLOWER MOTOR 1/3 HP, 3 SP, 6 PL (M2, M3)
11091207	BLOWER MOTOR 1/4 HP, 3 SP, 8 PL (M1)
0131M00847	BLOWER MOTOR 1/4 HP, 1 SP, 6 PL (M6)
B1368016	BLOWER WHEEL 10 X 8 (M4, M5)
B1368054	BLOWER WHEEL 11 X 8 (M6)
B1368042	BLOWER WHEEL 9 X 6 (M1)
0150M00000P	BLOWER WHEEL 9 X 6 (M2)
B1368036	BLOWER WHEEL 9 X 8 (M3)
CAP100000370LA	CAPACITOR 10/370V (M1, M2, M3)
CAP150000370LA	CAPACITOR 15/370V (M4, M5)
CAP050400440RT	CAPACITOR 5/40/440V (M1, M2)
CAP050450440RT	CAPACITOR 5/45/440V (M3, M4, M5)
CAP050700440RT	CAPACITOR 5/70/440V (M6)
ZP21K5EPFV130	COMPRESSOR 21300, 208/230/60/1 (M1)
ZP25K5EPFV130	COMPRESSOR 25200, 208/230/60/1 (M2)
ZP31K5EPFV130	COMPRESSOR 31100, 208/230/60/1 (M3)
ZP34K5EPFV130	COMPRESSOR 34500, 208/230/60/1 (M4)
ZP39K5EPFV130	COMPRESSOR 39000, 208/230/60/1 (M5)
ZP51K5EPFV130	COMPRESSOR 51000, 208/230/60/1 (M6)
0131M00061	COND MOTOR 1/4 HP, 1 SP, 8 PL (M3)
0131M00429	COND MOTOR 1/4 HP, 1 SP, 6 PL (M4, M5, M6)
0131M00009P	COND MOTOR 1/6 HP, 1 SP, 8 PL (M1, M2)
CONT1P025024V	CONTACTOR 25 AMP, 1P, 24V (M1, M2, M3)
CONT1P030024V	CONTACTOR 30 AMP, 1P, 24V (M4, M5)
CONT2P040024V	CONTACTOR 40 AMP, 2P, 24V (M6)
0130M00102	CONTROL, DEFROST (M4)
0130M00099	CONTROL, DEFROST (M1, M2, M3, M5, M6)
0130M00074	CUT-OUT SWITCH, HIGH PRESSURE
PCBDM133	DEFROST CONTROL BOARD
PCBFM103	ELECTRONIC BLOWER TIME DELAY (M1, M2, M3, M4, M5)
0150G00005	FAN BLADE (M1, M2)
0150G00004	FAN BLADE (M4, M5, M6)
B1086765	FAN BLADE TYPE 3 (M3)
0130M00075	LOW PRESSURE SWITCH
0151R00069	REVERSING VALVE (M1, M2)
0151R00071	REVERSING VALVE (M3, M4, M5, M6)
0130M00138	TRANSFORMER 208/230, 24V

### Expanded Model Nomenclature

M1 - APH1324H41CA
M2 - APH1330H41CA
M3 - APH1336H41CA
M4 - APH1342H41CA
M5 - APH1348H41DA
M6 - APH1360H41DA

# Cabinet Assembly



# Cabinet Assembly

Ref. Part No: No:	Description:	Ref. Part No: No:	Description:
-------------------	--------------	-------------------	--------------

**Image 1:**

11	0121G00050PDG	DUCT PANEL 27.5" (M1, M2)
11	0121G00051PDG	DUCT PANEL 32.5" (M3, M4)
11	0121G00084PDG	DUCT PANEL 36" (M5, M6)
21	0121G00521DG	CORNER PANEL 27.5" (M1, M2)
21	0121G00522DG	CORNER PANEL 32.5" (M3, M4)
21	0121G00523DG	CORNER PANEL 36" (M5, M6)
31	0121G00047PDG	CORNER POST 27.5" (M1, M2)
31	0121G00048PDG	CORNER POST 32.5" (M3, M4)
31	0121G00082PDG	CORNER POST 36" (M5, M6)
41	0121G00271DG	EXTERNAL BLOWER PANEL 27.5" (M1, M2)
41	0121G00272DG	EXTERNAL BLOWER PANEL 32.5" (M3, M4)
41	0121G00273DG	EXTERNAL BLOWER PANEL 36" (M5, M6)
51	0121G00276DG	EXTERNAL CONTROL BOX PANEL
71	0121G00072PLG	LOUVERED PANEL 5 BANK 27.5" (M1, M2)
71	0121G00073PLG	LOUVERED PANEL 5 BANK 32.5" (M3, M4)
71	0121G00091PLG	LOUVERED PANEL 5 BANK 36" (M5, M6)
81	0121G00065PDG	EVAP PANEL 8.75" X 27.5" (M1, M2)
81	0121G00066PDG	EVAP PANEL 8.75" X 32.5" (M3, M4)
81	0121G00089PDG	PNL, 36" EXT EVAP RMV (M5, M6)
91	B1392011	GROMMET / HS .62 - .45
101	0121G00062P	COMPRESSOR PANEL 13.68" X 27.50" (M1, M2)
101	0121G00060P	COMPRESSOR PANEL 8.75" X 32.50" (M3, M4)
101	0121G00087P	COMPRESSOR PANEL 8.75" X 36" (M5, M6)
111	0273G00001P	INSULATED ASSY, BASEPAN
121	0121G00069PLG	LOUVERED PANEL 4 BANK 27.5" (M1, M2)
121	0121G00070PLG	LOUVERED PANEL 4 BANK 32.5" (M3, M4)
121	0121G00090PLG	LOUVERED PANEL 4 BANK 36" (M5, M6)
131	0121G00044PRF	BASEPAN RAIL (QTY 2)

**Expanded Model Nomenclature**

M1 - APH1324H41CA
M2 - APH1330H41CA
M3 - APH1336H41CA
M4 - APH1342H41CA
M5 - APH1348H41DA
M6 - APH1360H41DA

# Chassis Assembly

Image 1

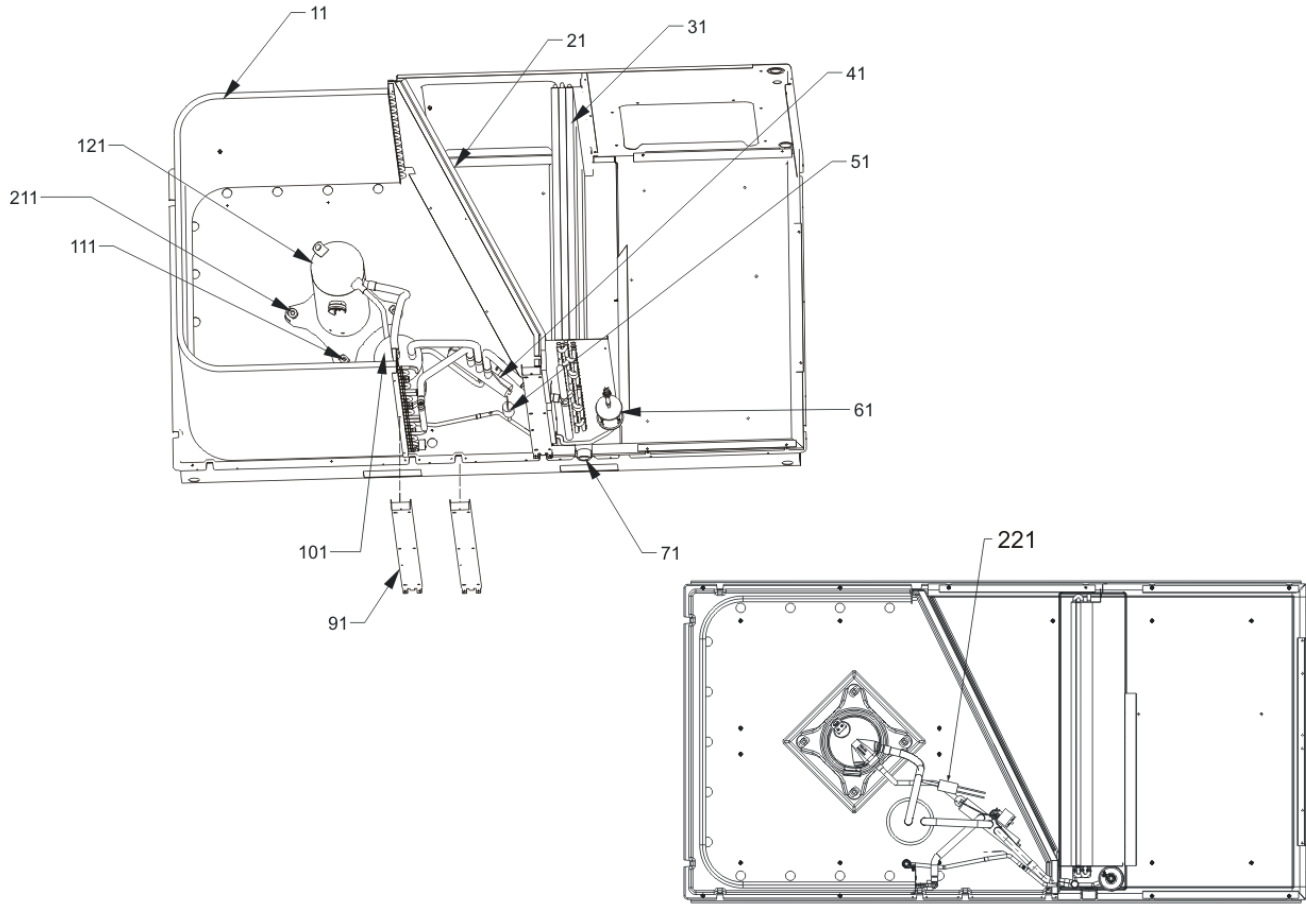


Image 2

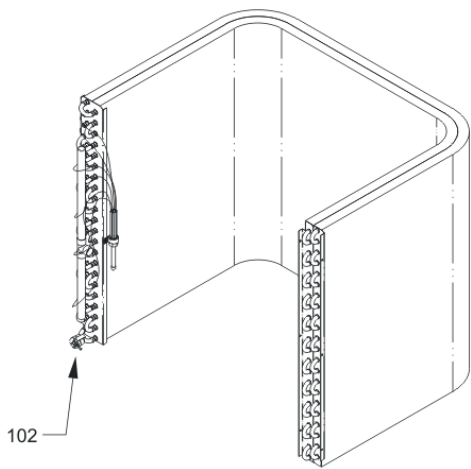
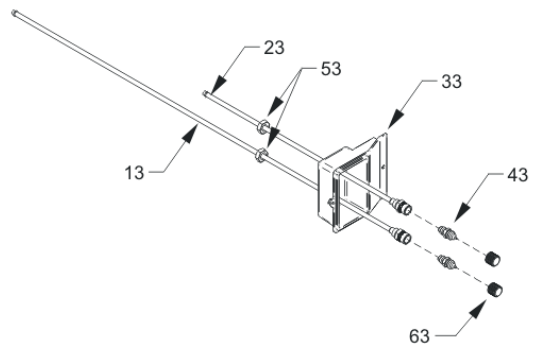


Image 3



# Chassis Assembly

Ref. Part No: No:	Description:	Ref. Part No: No:	Description:
<b>Image 1:</b>		<b>Expanded Model Nomenclature</b>	
11	0201G00279 TUBING ASSY, COND COIL (M1, M2)	M1	APH1324H41CA
11	0201G00283 TUBING ASSY, COND COIL (M6)	M2	APH1330H41CA
11	0201G00293 TUBING ASSY, COND COIL (M3)	M3	APH1336H41CA
11	0201G00294 TUBING ASSY, COND COIL (M4)	M4	APH1342H41CA
11	0201G00297 TUBING ASSY, COND COIL (M5)	M5	APH1348H41DA
21	0121G00200 PANEL-PARTITION 27.5" (M1, M2)	M6	APH1360H41DA
21	0121G00201 PANEL-PARTITION 32.5" (M3, M4)		
21	0121G00203 PANEL-PARTITION 36" (M5, M6)		
31	0202G00481 TUBING ASSY, EVAP COIL (M1)		
31	0202G00483 TUBING ASSY, EVAP COIL (M2)		
31	0202G00516 TUBING ASSY, EVAP COIL (M3)		
31	0202G00517 TUBING ASSY, EVAP COIL (M4)		
31	0202G00518 TUBING ASSY, EVAP COIL (M6)		
31	0202G00519 TUBING ASSY, EVAP COIL (M5)		
41	0151R00069 REVERSING VALVE (M1, M2)		
41	0151R00071 REVERSING VALVE (M3, M4, M5, M6)		
51	0130M00074 CUT-OUT SWITCH, HIGH PRESSURE		
61	20485201 BI-FLOW FILTER DRIER		
71	0270G00254 DRAIN PAN ASSY		
91	0121G00045P POST 27.5" (M1, M2)		
91	0121G00079P POST 32.5" (M3, M4)		
91	0121G00083P POST 36" (M5, M6)		
101	B1226206 ACCUMULATOR (M1, M2)		
101	B1226207 ACCUMULATOR .875 (M3, M4, M5, M6)		
111	B1339533 COMPRESSOR GROMMET (QTY 4)		
121	ZP21K5EPFV130 COMPRESSOR 21300, 208/230/60/1 (M1)		
121	ZP25K5EPFV130 COMPRESSOR 25200, 208/230/60/1 (M2)		
121	ZP31K5EPFV130 COMPRESSOR 31100, 208/230/60/1 (M3)		
121	ZP34K5EPFV130 COMPRESSOR 34500, 208/230/60/1 (M4)		
121	ZP39K5EPFV130 COMPRESSOR 39000, 208/230/60/1 (M5)		
121	ZP51K5EPFV130 COMPRESSOR 51000, 208/230/60/1 (M6)		
211	M0221641 TF SHOULDER SCREW (QTY 4)		
221	0130M00075 LOW PRESSURE SWITCH		
NS	0159G00004 COMPRESSOR SCROLL HARNESS		
NS	0128G00052 EVAP DRIP SHIELD		
NS	B1225022 SOLENOID COIL		
<b>Image 2:</b>			
102	0130M00099 CONTROL, DEFROST (M1, M2, M3, M5, M6)		
102	0130M00102 CONTROL, DEFROST (M4)		
<b>Image 3:</b>			
13	0210G00356 SUCTION TUBE ASSY (M4, M5, M6)		
13	0210G00365 SUCTION TUBE ASSY (M1, M2)		
13	0210G00366 SUCTION TUBE ASSY (M3)		
23	0210G00600 LIQUID LINE ASSY (M1, M2)		
23	0210G00601 LIQUID LINE ASSY (M3, M4, M5, M6)		
33	0161G00008 ACCESS-FITTING BOX		
43	B1373315 ACCESS FITTING (QTY 2)		
53	0163G00000P FASTEST FITTING NUT (QTY 2)		
63	0163M00175 CAP WITH O-RING (QTY 2)		

# Top Panel / Control Box Assembly

Image 1

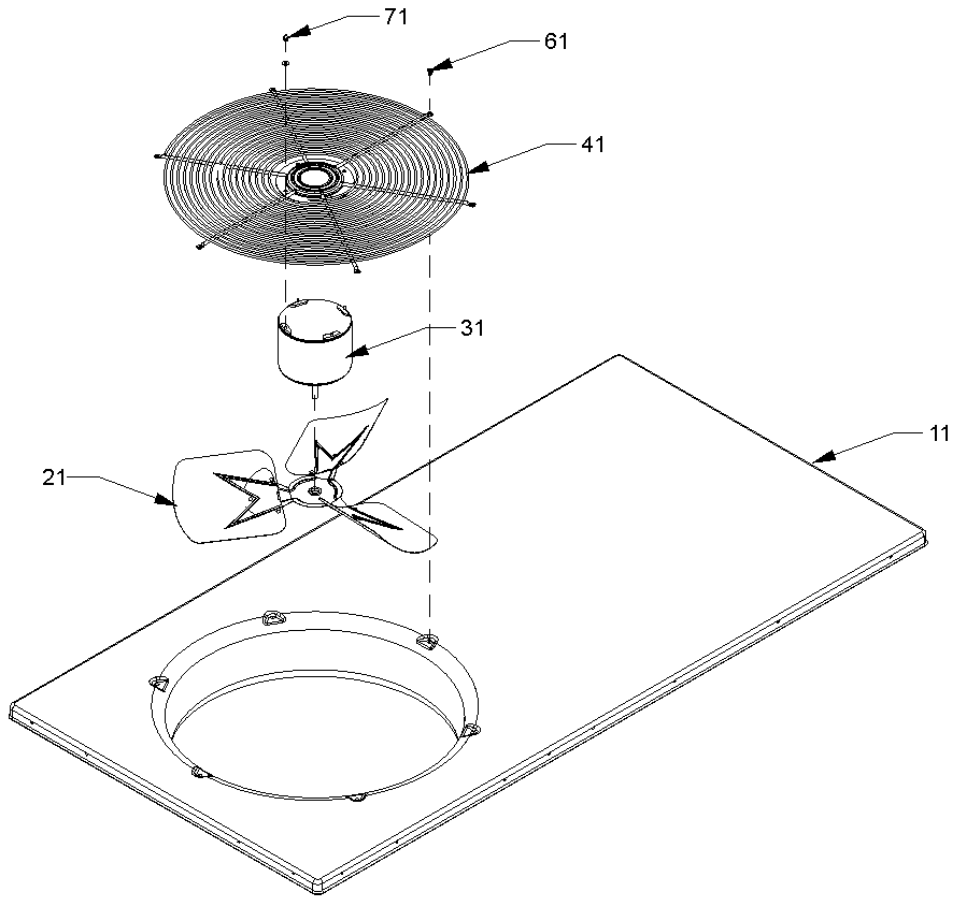
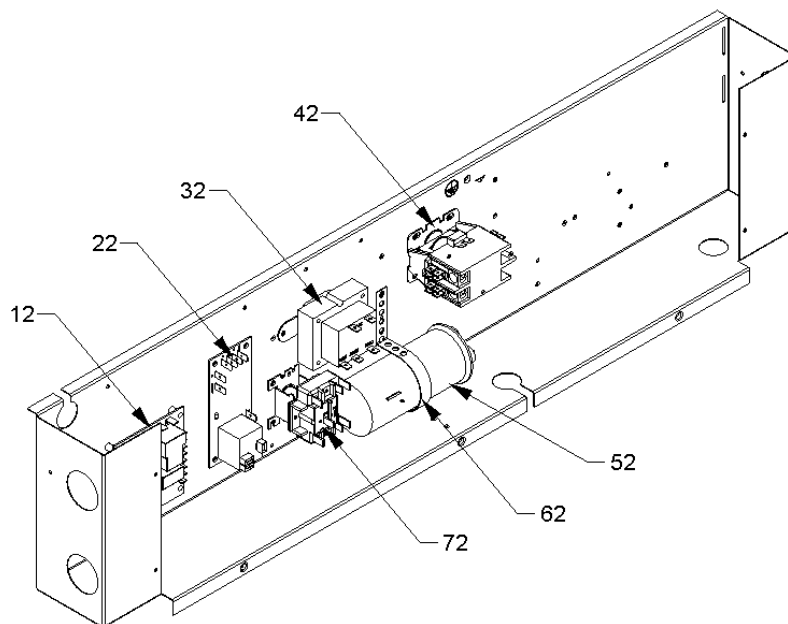


Image 2



# Top Panel / Control Box Assembly

Ref. Part No: No:	Description:	Ref. Part No: No:	Description:
-------------------	--------------	-------------------	--------------

**Image 1:**

11	0274G00037	INSULATED ASSY, TOP PANEL
21	0150G00004	FAN BLADE (M4, M5, M6)
21	0150G00005	FAN BLADE (M1, M2)
21	B1086765	FAN BLADE TYPE 3 (M3)
31	0131M00061	COND MOTOR 1/4 HP, 1 SP, 8 PL (M3)
31	0131M00429	COND MOTOR 1/4 HP, 1 SP, 6 PL (M4, M5, M6)
31	0131M00009P	COND MOTOR 1/6 HP, 1 SP, 8 PL (M1, M2)
41	0152G00002	FAN GRILLE
61	M0221817	SMALL SCREW (QTY 6)
71	0163M00006P	ACORN NUT 5/16 HEX BLACK (QTY 4)
NS	17788000083F	PVC CONDUIT 8.25"
NS	0259G00003	WIRE HARNESS, ELECTRIC HEAT (M6)
NS	0259G00005	WIRE HARNESS, ELECTRIC HEAT (M1, M2, M3, M4, M5)

**Image 2:**

12	PCBDM133	DEFROST CONTROL BOARD
22	PCBFM103	ELECTRONIC BLOWER TIME DELAY (M1, M2, M3, M4, M5)
32	0130M00138	TRANSFORMER 208/230, 24V
42	CONT1P025024V	CONTACTOR 25 AMP, 1P, 24V (M1, M2, M3)
42	CONT1P030024V	CONTACTOR 30 AMP, 1P, 24V (M4, M5)
42	CONT2P040024V	CONTACTOR 40 AMP, 2P, 24V (M6)
52	CAP050400440RT	CAPACITOR 5/40/440V (M1, M2)
52	CAP050450440RT	CAPACITOR 5/45/440V (M3, M4, M5)
52	CAP050700440RT	CAPACITOR 5/70/440V (M6)
62	20520901	CAPACITOR STRAP
72	0130M00014	240 VOLT RELAY (M1, M2, M3, M4, M5)

**Expanded Model Nomenclature**

M1 - APH1324H41CA
M2 - APH1330H41CA
M3 - APH1336H41CA
M4 - APH1342H41CA
M5 - APH1348H41DA
M6 - APH1360H41DA

# Blower Assembly

Image 1

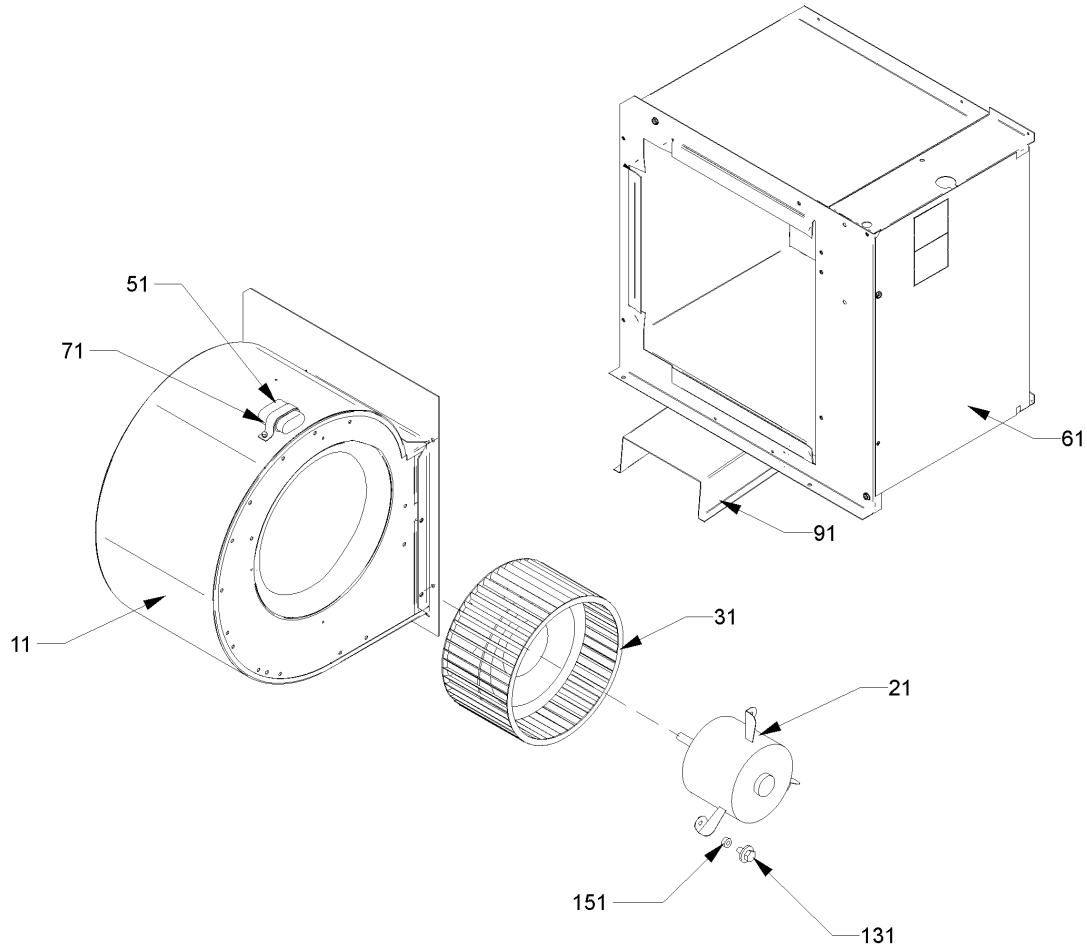
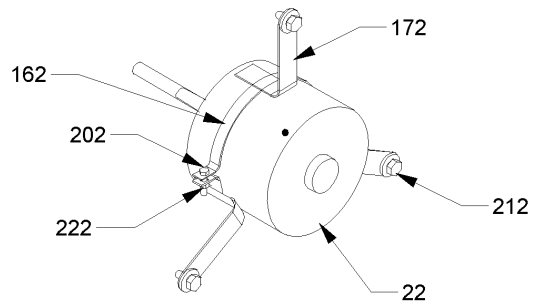


Image 2



# Blower Assembly

Ref. Part No: No:	Description:	Ref. Part No: No:	Description:
-------------------	--------------	-------------------	--------------

**Image 1:**

11	10324248	BLOWER HOUSING 10 X 8 (M4, M5)
11	0271G00017	BLOWER HOUSING 11 X 8 (M6)
11	10324246	BLOWER HOUSING 9 X 6 (M1, M2)
11	10324247	BLOWER HOUSING 9 X 8 (M3)
21	0131M00010P	BLOWER MOTOR 1/2 HP, 3 SP, 8 PL (M4, M5)
21	11091202	BLOWER MOTOR 1/3 HP, 3 SP, 6 PL (M2, M3)
21	11091207	BLOWER MOTOR 1/4 HP, 3 SP, 8 PL (M1)
21	0131M00847	BLOWER MOTOR, 1/4 HP, 1 SP, 6 PL (M6)
31	B1368016	BLOWER WHEEL 10 X 8 (M4, M5)
31	B1368054	BLOWER WHEEL 11 X 8 (M6)
31	0150M00000P	BLOWER WHEEL 9 X 6 (M2)
31	B1368042	BLOWER WHEEL 9 X 6 (M1)
31	B1368036	BLOWER WHEEL 9 X 8 (M3)
51	CAP100000370LA	CAPACITOR 10/370V (M1, M2, M3)
51	CAP150000370LA	CAPACITOR 15/370V (M4, M5)
61	0121G00039P	HEATER KIT COVER
71	20520901	CAPACITOR STRAP (M1, M2, M3, M4, M5)
91	0121G00040P	BLOWER SUPPORT
131	M0250558	TC SCREW (M1, M2, M3, M4, M5)
151	B1392143	GROMMET, 26TAL F/TORSIN FLEX (M1, M3, M4, M5)
NS	C6121802	BLOWER CUT-OFF (M1, M2)
NS	C6121810	BLOWER CUT-OFF (M3, M4, M5)
NS	2964700	BLOWER CUT-OFF 11 X 8 (M6)
NS	B821700	CAPACITOR BOOT (M1, M2, M3, M4, M5)

**Image 2:**

22	0131M00425	BLOWER MOTOR (M6)
162	0121M00038	MOTOR MOUNT BAND (M6)
172	B1376857	MOTOR MOUNT ARM (M6)
202	B1393800	LOCKNUT, NYLON, INSERT 1/4, 20 (M6)
212	M0250565	TC SCREW 1.25" (M6)
222	B1393323	MACHINE SCREW HWH 1/4-20 X 1-1/2 BZ (M6)

**Expanded Model Nomenclature**

M1 - APH1324H41CA
M2 - APH1330H41CA
M3 - APH1336H41CA
M4 - APH1342H41CA
M5 - APH1348H41DA
M6 - APH1360H41DA