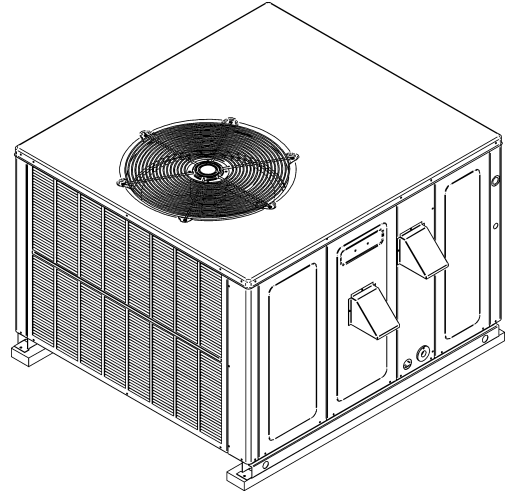


APG16 "M" Residential Package Gas Units

APG1624060M41AA
APG1624060M41AB
APG1630080M41AA
APG1636080M41AA
APG1642100M41AA
APG1648100M41AA



Amana® is a registered trademark of Maytag Corporation or its related companies and is used under license. All rights reserved.

This manual is to be used by qualified technicians only.

Important Information

Index

Functional Parts List	3
Illustration and Parts	4 - 15

Views shown are for parts illustrations only, not servicing procedures

Text Codes:

AR - As Required

NA - Not Available

NS - Not Shown

00000000 - See Note

QTY - Quantity Example (QTY 3) (If Quantity not shown, Quantity = 1)

M - Model Example (M1) (If M Code not shown, then part is used on all Models)

Expanded Model Nomenclature:

Example M1 - Model#1 M2 - Model#2 M3 - Model#3

Goodman Company, L.P. is not responsible for personal injury or property damage resulting from improper service. Review all service information before beginning repairs.

Warranty service must be performed by an authorized technician, using authorized factory parts. If service is required after the warranty expires, Goodman Company, L.P. also recommends contacting an authorized technician and using authorized factory parts.

Goodman Company, L.P. reserves the right to discontinue, or change at any time, specifications or designs without notice or without incurring obligations.

For assistance within the U.S.A. contact:

Homeowner Support
Goodman Company, L.P.
19001 Kermier Road
Waller, Texas 77484
877-254-4729-Telephone
713-863-2382-Facsimile

For assistance outside the U.S.A. contact:

International Division
Goodman Company, L.P.
19001 Kermier Road
Waller, Texas 77484
713-861-2500-Telephone
713-863-2382-Facsimile

Functional Parts

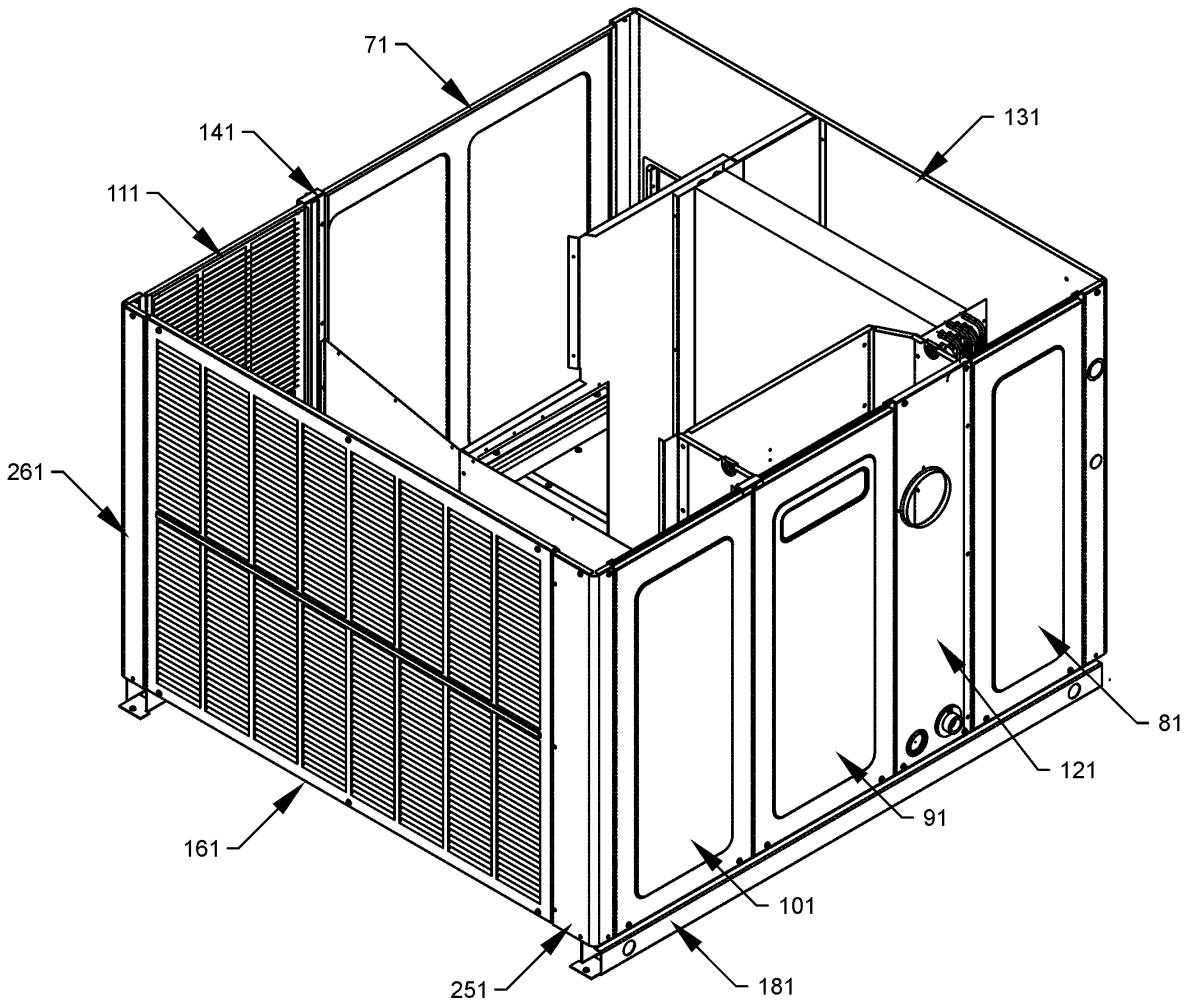
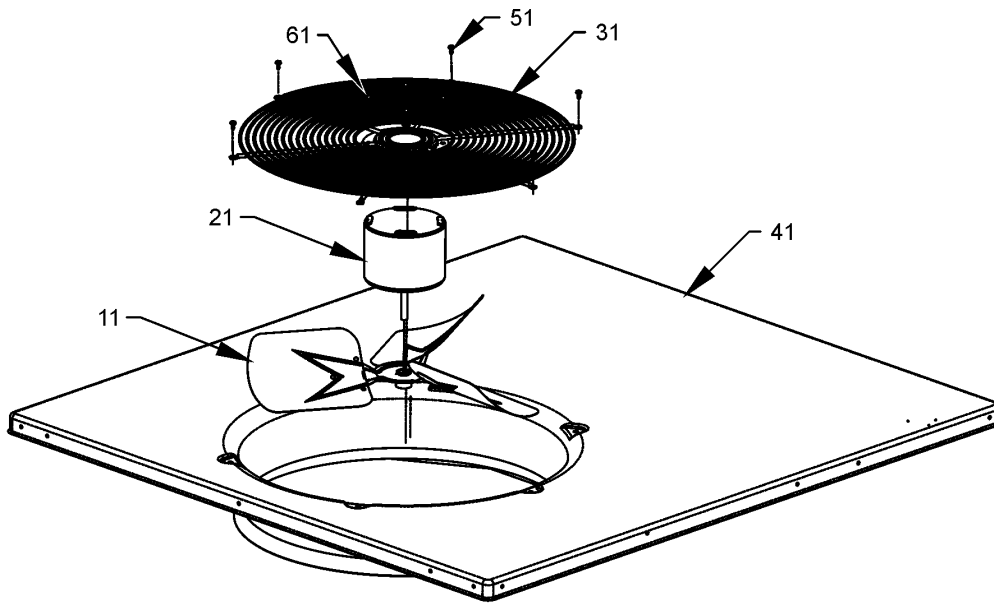
Part No: **Description:**

0163F00017	BECKETT BURNER (QTY 3)
D6723303	BLOWER WHEEL (M3)
B1368016	BLOWER WHEEL 10 X 8 (M1, M2)
B1368000	BLOWER WHEEL 11 X 10 (M4, M5, M6)
CAP050350440CS	CAP, 5/35 MFD/440V/DUAL RD (M1, M2)
CAP050400440CT	CAP, 5/40 MFD/440V/DUAL RD (M3, M4)
CAP050450440CT	CAP, 5/45 MFD/440V/DUAL RD (M5)
CAP050300440CS	CAP,5/30MFD/440V/DUAL RD (M6)
ZPS20K5EPFV130	COMP, 20000,208/130 (M1, M2)
ZPS30K5EPFV130	COMP,30000,208/230 (M4)
ZPS40K5EPFV130	COMPRESSOR 41100, 208/230/60/1 (M6)
ZPS26K5EPFV130	COMPRESSOR, COPELAND (M3)
ZPS35K5EPFV130	COMPRESSOR, COPELAND (M5)
CONT1P025024V	CONTACTOR 25 AMP, 1P, 24V (M1, M2, M3, M4)
CONT1P030024V	CONTACTOR 30 AMP, 1P, 24V (M5)
CONT2P040024V	CONTACTOR 40 AMP, 2P, 24V (M6)
B1086773	FAN BLADE 22" (M1)
0150G00002	FAN BLADE SWEPT-WING (M3)
0150G00003	FAN BLADE SWEPT-WING (M4, M5, M6)
0150M00008	FAN BLADE, 22" TNT2203-25 (M2)
0130F00010	FLAME SENSOR
0151F00000P	GAS VALVE - WHITE-RODGERS 2-STAGE
0130M00074	HIGH PRESSURE SWITCH
PCBAG127	IGNITION BOARD, DSI, 2 STG
0130F00014	IGNITOR
10728343	LIMIT SWITCH (M1, M2)
10728342	LIMIT SWITCH (M3, M4)
10728344	LIMIT SWITCH (M5, M6)
10123532	MANUAL RESET LIMIT 350°F (M3)
10123529	MANUAL RESET LIMIT-GREEN (M1, M2, M4, M5, M6)
0131G00081	MOTOR PROGRAMMED (M4)
0131G00080	MOTOR PROGRAMMED (M3)
0131G00082	MOTOR PROGRAMMED (M5)
0131G00083	MOTOR PROGRAMMED (M6)
0131G00079	MOTOR PROGRAMMED (M1, M2)
0131M00847	MOTOR, 1/4 HP, 1 SP, 6 PL (M5, M6)
0131M00836	MOTOR, 1/4HP,1SP,8PL,AL (M3, M4)
0131M00009P	MOTOR, 1/6 HP, 1 SP, 8 PL (M1)
0131M00753	MOTOR, 1/6HP, 1SP, 8PL, AL (M2)
0131G00001	MOTOR, ID BLOWER
PCBEM103	PCB, ECM PRIMARY, VSTB
11112501	PRESSURE SWITCH
0130M00138	TRANSFORMER, 208/230, 24V
0151M00077	VALVE-TXV R410A (M1, M2, M3, M4, M5)
0151M00075	VALVE-TXV R410A (M6)

Expanded Model Nomenclature

M1 - APG1624060M41AA
M2 - APG1624060M41AB
M3 - APG1630080M41AA
M4 - APG1636080M41AA
M5 - APG1642100M41AA
M6 - APG1648100M41AA

Top Panel / Fan / Cabinet



Top Panel / Fan / Cabinet

Ref. Part No: No:	Description:	Ref. Part No: No:	Description:
-------------------	--------------	-------------------	--------------

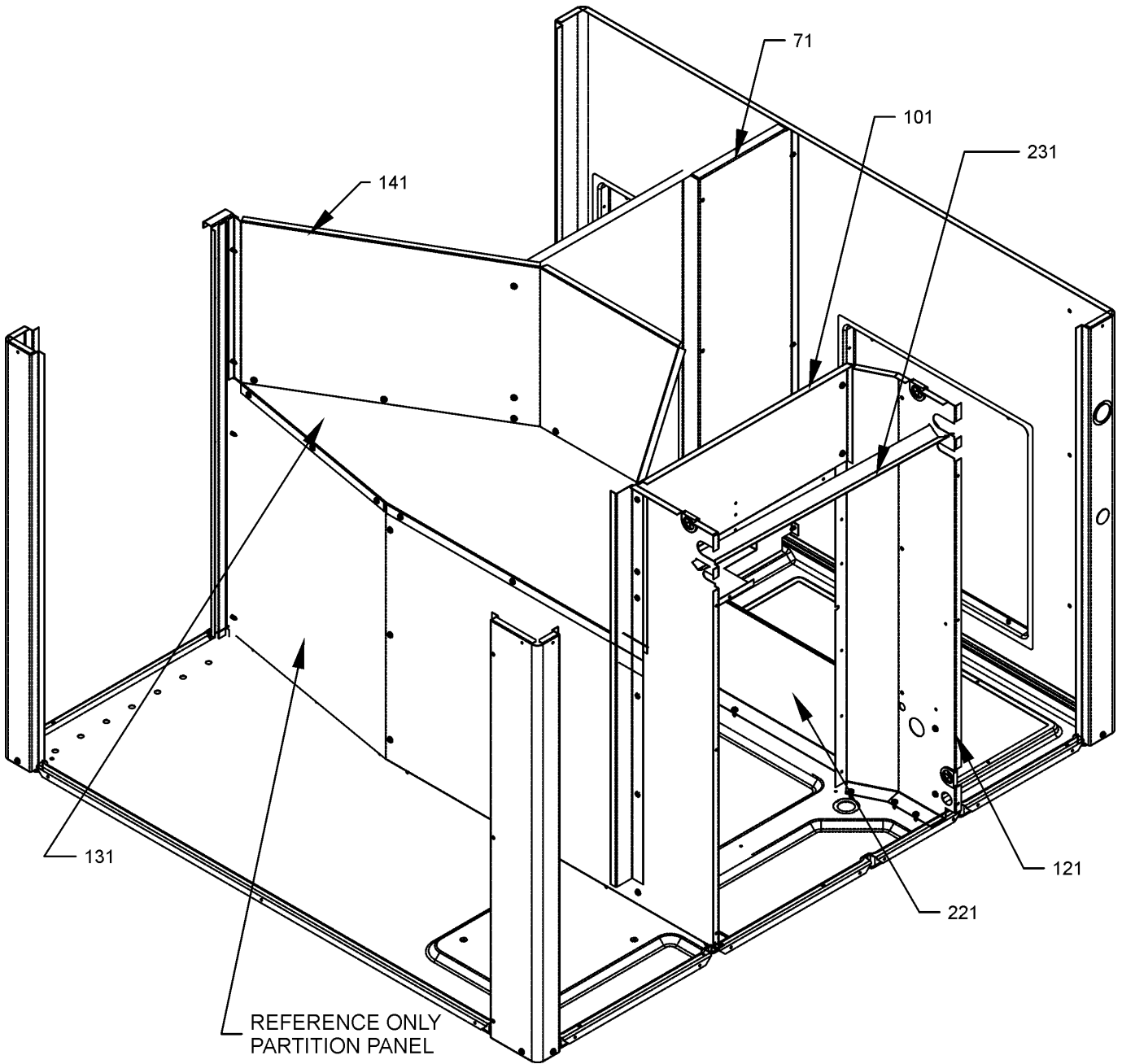
Image 1:

11	B1086773	FAN BLADE 22" (M1)
11	0150G00002	FAN BLADE SWEPT-WING (M3)
11	0150G00003	FAN BLADE SWEPT-WING (M4, M5, M6)
11	0150M00008	FAN BLADE, 22" TNT2203-25 (M2)
21	0131M00847	MOTOR, 1/4 HP, 1 SP, 6 PL (M5, M6)
21	0131M00836	MOTOR, 1/4HP, 1SP, 8PL, AL (M3, M4)
21	0131M00009P	MOTOR, 1/6 HP, 1 SP, 8 PL (M1)
21	0131M00753	MOTOR, 1/6HP, 1SP, 8PL, AL (M2)
31	0152G00003	GRILLE-FAN
41	0121G00156PDG	TOP PANEL
51	M0221817	SMALL SCREW (QTY 2)
61	0163M00006P	ACORN NUT 5/16 HEX BLACK (QTY 4)
71	20464801PDG	BLOWER DOOR 32" (M1, M2, M3)
71	20464806PDG	BLOWER DOOR 40" (M4, M5, M6)
81	20464802PDG	EVAP/CONTROL DOOR-32 (M1, M2, M3)
81	20464807PDG	EVAP/CONTROL DOOR-40 (M4, M5, M6)
91	0121G00526DG	HEAT EXCHANGER DOOR 32" (M1, M2, M3)
91	0121G00527DG	HEAT EXCHANGER DOOR 40" (M4, M5, M6)
101	20464804PDG	COMPRESSOR DOOR-32 (M1, M2, M3)
101	20464809PDG	COMPRESSOR DOOR-38 (M4, M5, M6)
111	0121G00465DG	COND SIDE PANEL- 32 (M3)
111	20467701PLG	COND SIDE PANEL- 32 (M1, M2)
111	20467702PLG	COND SIDE PANEL-38 (M4, M5, M6)
121	20466101PDG	UTILITY PANEL 32" (M1, M2, M3)
121	20466102PDG	UTILITY PANEL 40" (M4, M5, M6)
131	0121G00802DG	PNL, DUCT, GAS 32.5" PNT (M1, M2, M3)
131	0121G00803DG	PNL, DUCT, GAS 40" PNT (M4, M5, M6)
141	0121G00460	POST-SUPPORT, SIDE (M1, M2, M3)
141	0121G00615	POST-SUPPORT, SIDE 40 (M4, M5, M6)
161	0121G00728LG	PANEL-COND LOUVERED 32 (M1, M2, M3)
161	0121G00729LG	PANEL-COND LOUVERED 40 (M4, M5, M6)
181	0121G00290	BASE PAN RAIL (QTY 2)
251	20464201PDG	CORNER POST-COMP END 32" (M1, M2)
251	20464202PDG	CORNER POST-COMP END 40" (M4, M5)
251	0121G00453DG	CORNER-POST COMP END, PNT (M3)
251	0121G00455DG	CORNER-POST COMP END, PNT (M6)
261	0121G00454DG	CORNER-POST HPIN END, PNT (M1, M2, M3)
261	0121G00456DG	CORNER-POST HPIN END, PNT (M4, M5, M6)
NS	0161G00016	CONDUIT PVC
NS	0270G00500	FLUE HOOD ASSY

Expanded Model Nomenclature

- | |
|----------------------|
| M1 - APG1624060M41AA |
| M2 - APG1624060M41AB |
| M3 - APG1630080M41AA |
| M4 - APG1636080M41AA |
| M5 - APG1642100M41AA |
| M6 - APG1648100M41AA |

Partition Assembly



Partition Assembly

Ref. Part No:	No:	Description:	Ref. Part No:	No:	Description:
---------------	-----	--------------	---------------	-----	--------------

Image 1:

71	20465302	BLOWER DIVIDER (M4, M5, M6)
71	20465304	BLOWER DIVIDER (M3)
71	20465305	BLOWER DIVIDER (M1, M2)
101	20465201	PANEL-FILLER HT EXCH 32 (M1, M2, M3)
101	20465202	PANEL-FILLER HT EXCH 40 (M4, M5, M6)
121	0121G00757	DIVIDER, EVAP/HT EXCH 32 (M1, M2, M3)
121	0121G00758	DIVIDER, EVAP/HT EXCH 38 (M4, M5, M6)
131	20465701	FAN PARTITION SHELF
141	20465801	FAN SURROUND 32" (M1, M2, M3)
141	20465802	FAN SURROUND 40" (M4, M5, M6)
221	20463802	BLOCK-EVAP/BPAN 32 (M1, M2, M3)
221	20463801	BLOCK-EVAP/BPAN 40 (M4, M5, M6)
231	0121G00555	DRAIN CHANNEL, SUCTION TUBE

Expanded Model Nomenclature

M1 - APG1624060M41AA
M2 - APG1624060M41AB
M3 - APG1630080M41AA
M4 - APG1636080M41AA
M5 - APG1642100M41AA
M6 - APG1648100M41AA

Basepan / Blower Assembly

Image 1

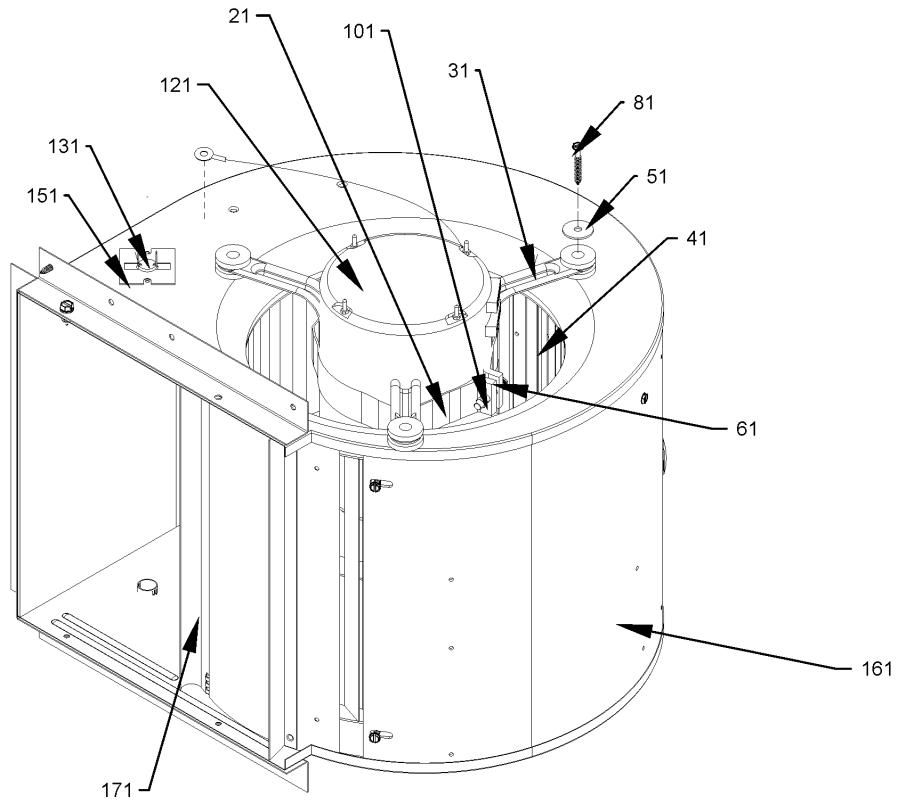
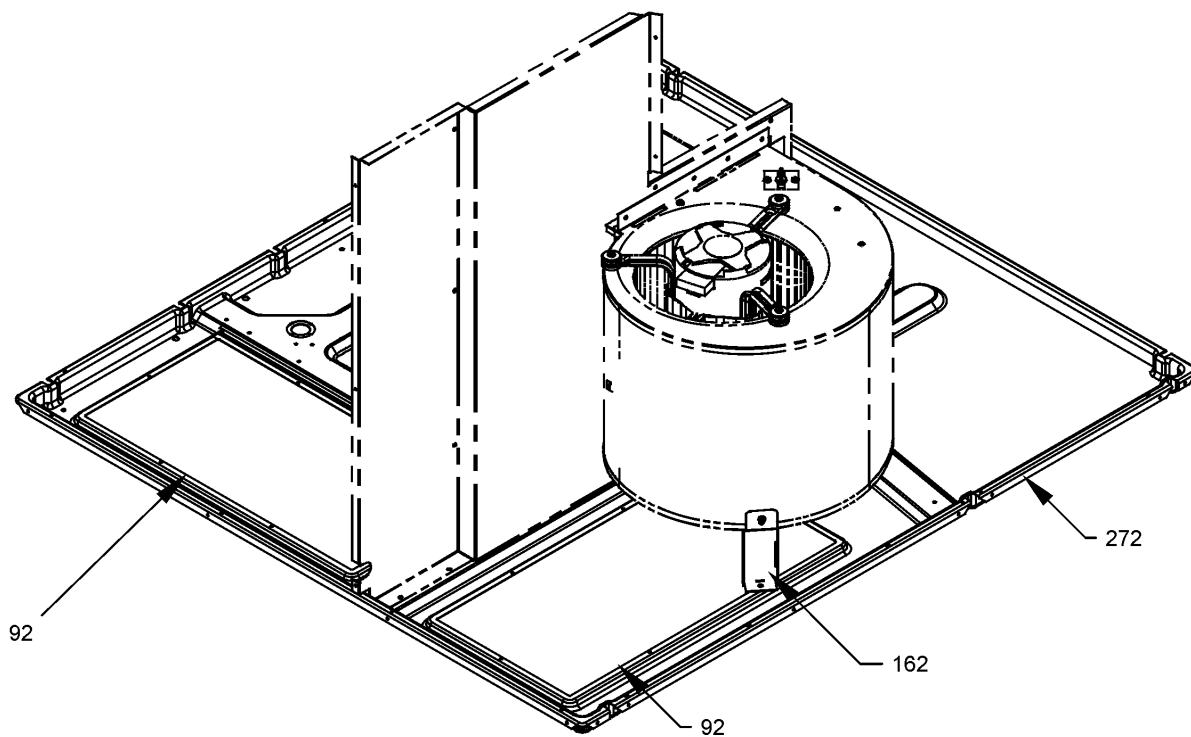


Image 2



Basepan / Blower Assembly

Ref. Part No: No:	Description:	Ref. Part No: No:	Description:
-------------------	--------------	-------------------	--------------

Image 1:

21	0121M00038	MOTOR MOUNT BAND
31	B1376857	MOTOR MOUNT ARM (QTY 3)
41	D6723303	BLOWER WHEEL (M3)
41	B1368016	BLOWER WHEEL 10 X 8 (M1, M2)
41	B1368000	BLOWER WHEEL 11 X 10 (M4, M5, M6)
51	B1392918	WASHER FLAT 1/4 ID X 1 OD (QTY 3)
61	B1393323	SCREW,MACHI HWH 1/4-20X1 1/2 BZ
81	M0250565	TC SCREW 1.25" (QTY 3)
101	B1393800	LOCKNUT, NYLON, INSERT 1/4, 20
121	0131G00079	MOTOR PROGRAMMED (M1, M2)
121	0131G00080	MOTOR PROGRAMMED (M3)
121	0131G00081	MOTOR PROGRAMMED (M4)
121	0131G00082	MOTOR PROGRAMMED (M5)
121	0131G00083	MOTOR PROGRAMMED (M6)
131	20269903	AUXILIARY LIMIT, AUTO RESET
151	2509503	BRACKET F/ROLLOUT SWUT SWITCH
161	2539309	BLOWER HOUSING ASSY (11X10) (M4, M5, M6)
161	0271G00025	BLOWER HOUSING ASSY 10 X 8 (M1, M2)
161	0271G00024	BLOWER HOUSING ASSY 10 X 9 (M3)
171	764742	BLOWER BLOCK-OFF (M3)
171	1864703	BLOWER CUT-OFF ASM,5TON,MORRIS (M4, M5, M6)
171	764740	BLWR BLK-OFF ,10X8 (M1, M2)
NS	PCBEM103	PCB, ECM PRIMARY, VSTB

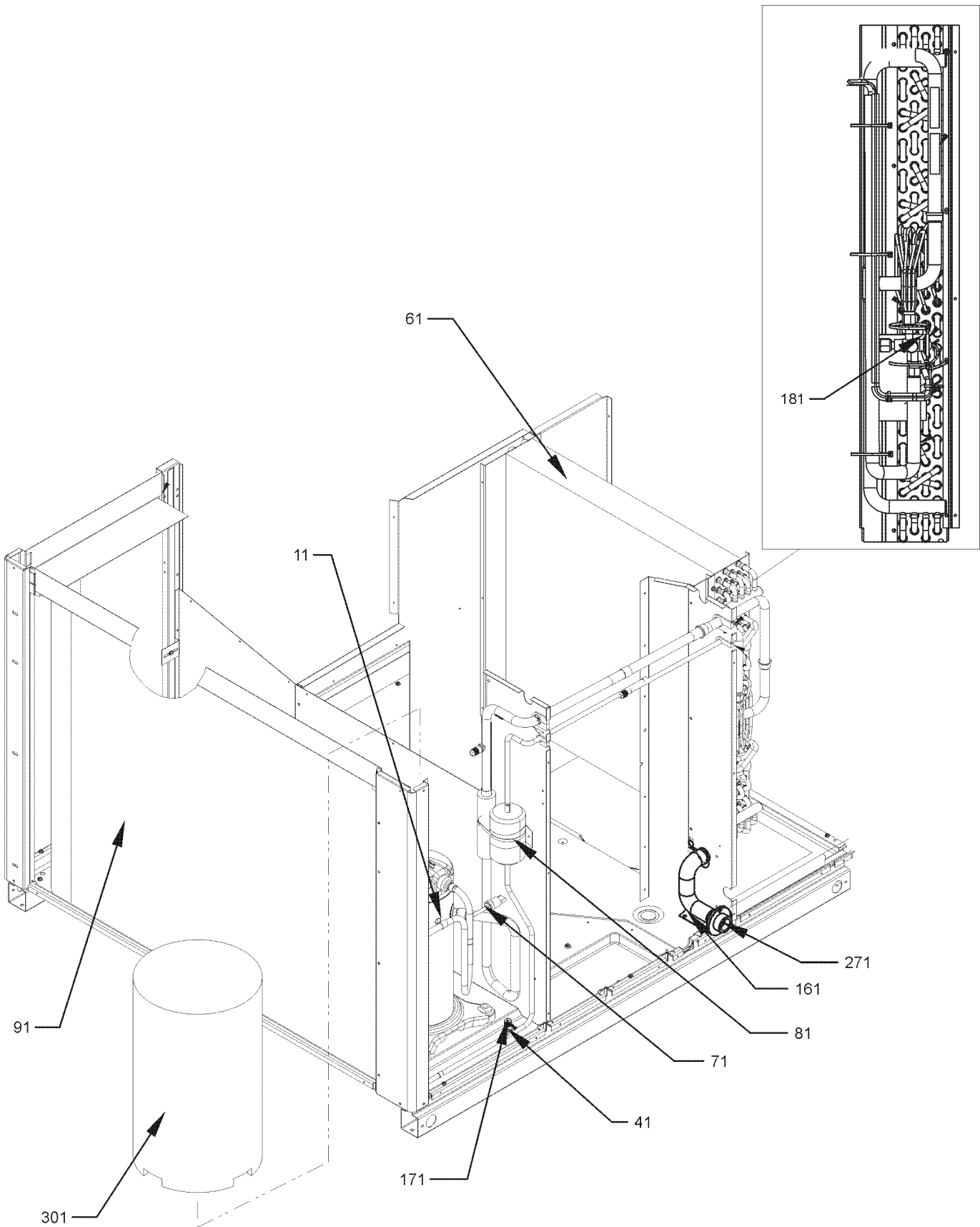
Image 2:

92	0121G00148	SINGLE COVER, DOWN DISCHARGE (QTY 2)
162	4322801	11 X 10 BLOWER SUPPORT LRG (M4, M5, M6)
272	0121G00444	BASEPAN, PACKAGE

Expanded Model Nomenclature

M1 - APG1624060M41AA
M2 - APG1624060M41AB
M3 - APG1630080M41AA
M4 - APG1636080M41AA
M5 - APG1642100M41AA
M6 - APG1648100M41AA

Compressor / Tubing Assembly



Compressor / Tubing Assembly

Ref. Part No: No:	Description:	Ref. Part No: No:	Description:
-------------------	--------------	-------------------	--------------

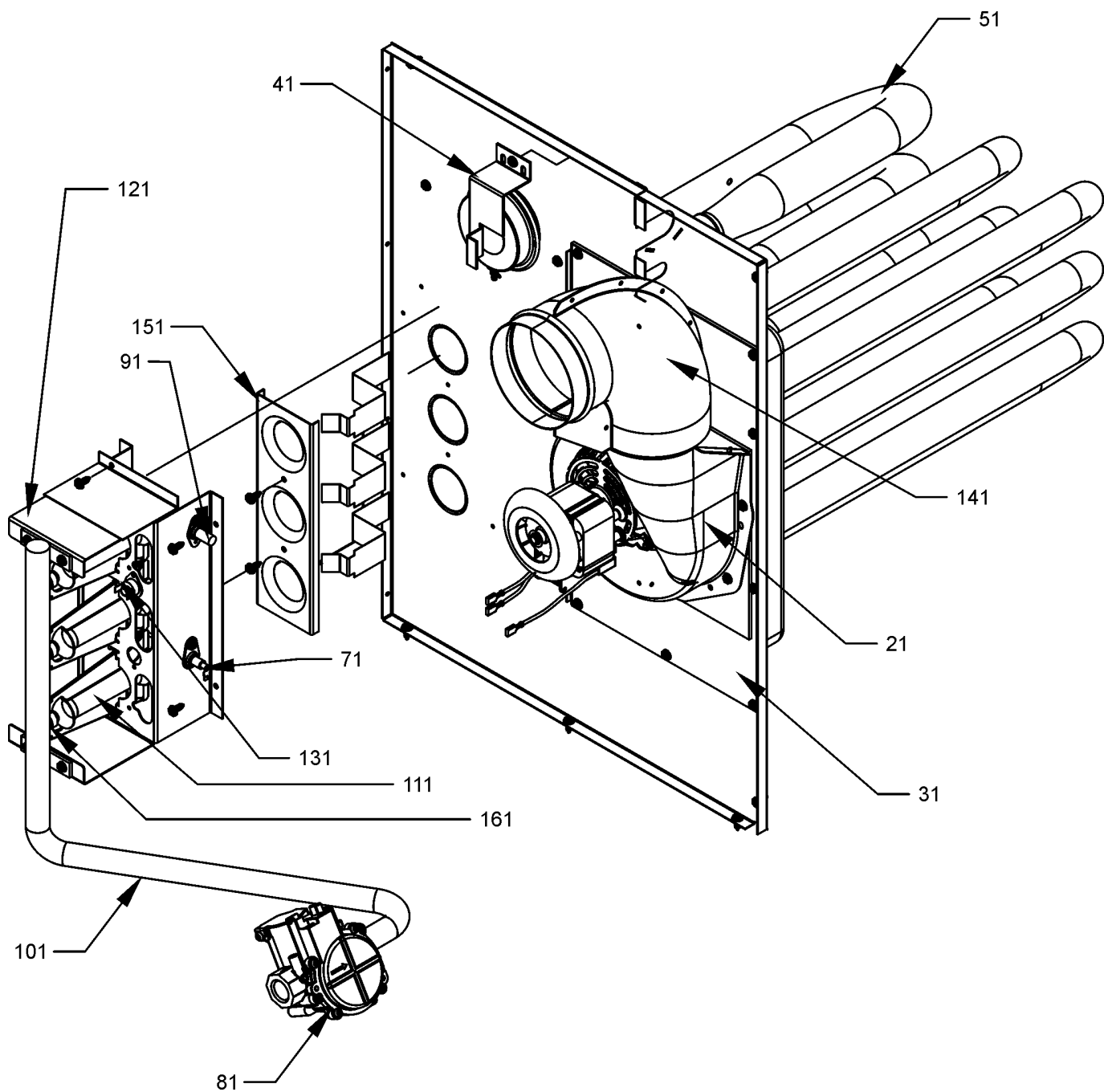
Image 1:

11	ZPS20K5EPFV130	COMP, 20000,208/130 (M1, M2)
11	ZPS30K5EPFV130	COMP,30000,208/230 (M4)
11	ZPS40K5EPFV130	COMPRESSOR 41100, 208/230/60/1 (M6)
11	ZPS26K5EPFV130	COMPRESSOR, COPELAND (M3)
11	ZPS35K5EPFV130	COMPRESSOR, COPELAND (M5)
41	B1373315	ACCESS FITTING (QTY 2)
61	0202G00722	COIL TUBING ASSY (M6)
61	0202G00727	COIL TUBING ASSY (M1, M2, M3)
61	0202G00728	COIL TUBING ASSY (M4, M5)
71	0130M00074	HIGH PRESSURE SWITCH
81	B1219212	SINGLE-FLOW FILTER DRIER, STEEL (M1, M2, M3)
81	B1219225	SINGLE-FLOW FILTER DRIER, STEEL (M4, M5, M6)
91	0201G00142	COND COIL TUBING ASSY (M1, M2)
91	0201G00249	COND COIL TUBING ASSY (M3)
91	0201G00369	COND COIL TUBING ASSY (M6)
91	0201G00460	CONDENSER COIL ASSY (M4, M5)
161	20498302	DRAIN TUBE 32" (M1, M2, M3)
161	20498301	DRAIN TUBE 40" (M4, M5, M6)
171	0163M00175	CAP WITH O-RING (QTY 2)
181	0151M00075	VALVE-TXV R410A (M6)
181	0151M00077	VALVE-TXV R410A (M1, M2, M3, M4, M5)
271	20513001	EVAP DRAIN FITTING
301	0160M00039	COMPRESSOR BLANKET
NS	0259G00159	BLOWER HARNESS
NS	B1339533	COMPRESSOR GROMMET (QTY 4)
NS	0159G00001	COMPRESSOR SOLENOID CABLE
NS	20464901DF	DRAIN PAN-EVAP COIL
NS	0159G00005	HARNESS-COMP SCROLL (M1, M2, M3)
NS	0159G00015	HARNESS-COMP SCROLL (M4, M5, M6)
NS	B1810011	HOSE CLAMP 1.25 (QTY 2)
NS	M0221641	SCREW-SHOULDER TF (QTY 4)
NS	M0221641	TF SHOULDER SCREW (QTY 4)

Expanded Model Nomenclature

M1 - APG1624060M41AA
M2 - APG1624060M41AB
M3 - APG1630080M41AA
M4 - APG1636080M41AA
M5 - APG1642100M41AA
M6 - APG1648100M41AA

Heat Exchanger / Manifold / Gas Valve



Heat Exchanger / Manifold / Gas Valve

Ref. Part No: No:	Description:	Ref. Part No: No:	Description:
-------------------	--------------	-------------------	--------------

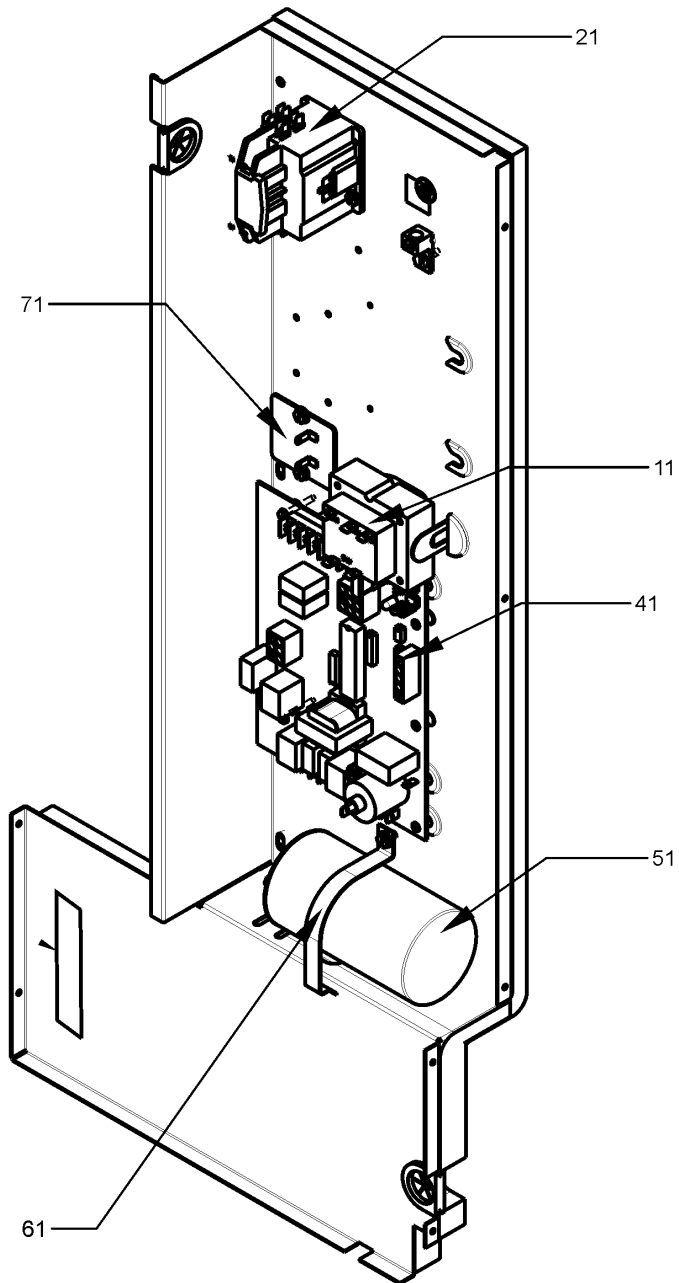
Image 1:

21	0131G00001	MOTOR, ID BLOWER
31	0121G00740	PLATE-ID BLOWER (M1, M2)
31	0121G00743	PLATE-ID BLOWER (M5, M6)
31	0121G00745	PLATE-ID BLOWER (M4)
31	0121G00747	PLATE-ID BLOWER (M3)
41	11112501	PRESSURE SWITCH
51	20490710	PART/TUBE ASSY 3B (M1, M2)
51	20490711	PART/TUBE ASSY 4B (M3)
51	20490712	PART/TUBE ASSY 4B (M4)
51	20490713	PART/TUBE ASSY 5B (M5, M6)
71	0130F00014	IGNITOR
81	0151F00000P	GAS VALVE - WHITE-RODGERS 2-STAGE
91	0130F00010	FLAME SENSOR
101	20493103	MANIFOLD- 3 BRNR 32 (M1, M2)
101	20493104	MANIFOLD- 4 BRNR 32 (M3)
101	20493105	MANIFOLD- 4 BRNR 38 (M4)
101	20493106	MANIFOLD- 5 BRNR 38 (M5, M6)
111	0163F00017	BECKETT BURNER (QTY 3)
121	0121L02164	BRKT-BURNER 3B FUR (M1, M2)
121	20190412	BURNER BRACKET 4B (M3, M4)
121	20190413	BURNER BRACKET 5B (M5, M6)
131	10123532	MANUAL RESET LIMIT 350°F (M3)
131	10123529	MANUAL RESET LIMIT-GREEN (M1, M2, M4, M5, M6)
141	20484401	FLUE ELBOW LEFT
141	20484402	FLUE ELBOW RIGHT
151	11072202	ORIFICE SHIELD (M1, M2)
151	11072203	ORIFICE SHIELD (M3, M4)
151	11072204	ORIFICE SHIELD (M5, M6)
161	10716005	ORIFICE (QTY 3)
NS	0154G00020	GASKET-ID BLOWER & PLATE (M1, M2, M3)
NS	0154G00021	GASKET-ID BLOWER & PLATE (M4, M5, M6)

Expanded Model Nomenclature

M1 - APG1624060M41AA
M2 - APG1624060M41AB
M3 - APG1630080M41AA
M4 - APG1636080M41AA
M5 - APG1642100M41AA
M6 - APG1648100M41AA

Control Panel



Control Panel

Ref. Part No:	No:	Description:	Ref. Part No:	No:	Description:
---------------	-----	--------------	---------------	-----	--------------

Image 1:

11	0130M00138	TRANSFORMER, 208/230, 24V
21	CONT1P025024V	CONTACTOR 25 AMP, 1P, 24V (M1, M2, M3, M4)
21	CONT1P030024V	CONTACTOR 30 AMP, 1P, 24V (M5)
21	CONT2P040024V	CONTACTOR 40 AMP, 2P, 24V (M6)
41	PCBAG127	IGNITION BOARD, DSI, 2 STG
51	CAP050350440CS	CAP, 5/35 MFD/440V/DUAL RD (M1, M2)
51	CAP050400440CT	CAP, 5/40 MFD/440V/DUAL RD (M3, M4)
51	CAP050450440CT	CAP, 5/45 MFD/440V/DUAL RD (M5)
51	CAP050300440CS	CAP,5/30MFD/440V/DUAL RD (M6)
61	20520901	CAPACITOR STRAP
71	10728342	LIMIT SWITCH (M3, M4)
71	10728343	LIMIT SWITCH (M1, M2)
71	10728344	LIMIT SWITCH (M5, M6)
NS	0259G00163	HARNESS-COMPRESSOR (M1, M2, M3)
NS	0259G00270	HARNESS-COMPRESSOR (M4, M5, M6)
NS	0259G00161	HARNESS-GAS CONTROL (M1, M2, M3)
NS	0259G00162	HARNESS-GAS CONTROL (M4, M5, M6)

Expanded Model Nomenclature

M1 - APG1624060M41AA
M2 - APG1624060M41AB
M3 - APG1630080M41AA
M4 - APG1636080M41AA
M5 - APG1642100M41AA
M6 - APG1648100M41AA