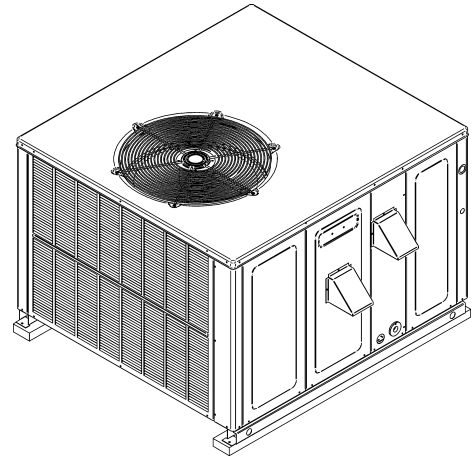


APG14 "M" Series Residential Package Gas Unit

APG1424040M41AC
APG1424040M41AD
APG1424060M41AC
APG1424060M41AD
APG1430040M41AC
APG1430060M41AC
APG1436040M41AC
APG1436060M41AC
APG1436080M41AC
APG1442060M41AC
APG1442080M41AC
APG1448060M41AC
APG1448080M41AC
APG1448100M41AC



Amana® is a registered trademark of Maytag Corporation or its related companies and is used under license. All rights reserved.

This manual is to be used by qualified technicians only.

This manual replaces RP-A3305

© 2020 - 2021 Goodman Company, L.P. ♦ 5151 San Felipe St, Suite 500 ♦ Houston, TX 77056

Important Information

Index

Functional Parts List	3
Illustration and Parts	4 - 15

Views shown are for parts illustrations only, not servicing procedures.

Text Codes:

AR - As Required

NA - Not Available

NS - Not Shown

00000000 - See Note

QTY - Quantity Example (QTY 3) (If Quantity not shown, Quantity = 1)

M - Model Example (M1) (If M Code not shown, then part is used on all Models)

Expanded Model Nomenclature:

Example M1 - Model#1 M2 - Model#2 M3 - Model#3

Goodman Company, L.P. is not responsible for personal injury or property damage resulting from improper service. Review all service information before beginning repairs.

Warranty service must be performed by an authorized technician, using authorized factory parts. If service is required after the warranty expires, Goodman Company, L.P. also recommends contacting an authorized technician and using authorized factory parts.

Goodman Company, L.P. reserves the right to discontinue, or change at any time, specifications or designs without notice or without incurring obligations.

For assistance within the U.S.A. contact:

Homeowner Support
Goodman Company, L.P.
19001 Kermier Road
Waller, Texas 77484
877-254-4729-Telephone
713-863-2382-Facsimile

For assistance outside the U.S.A. contact:

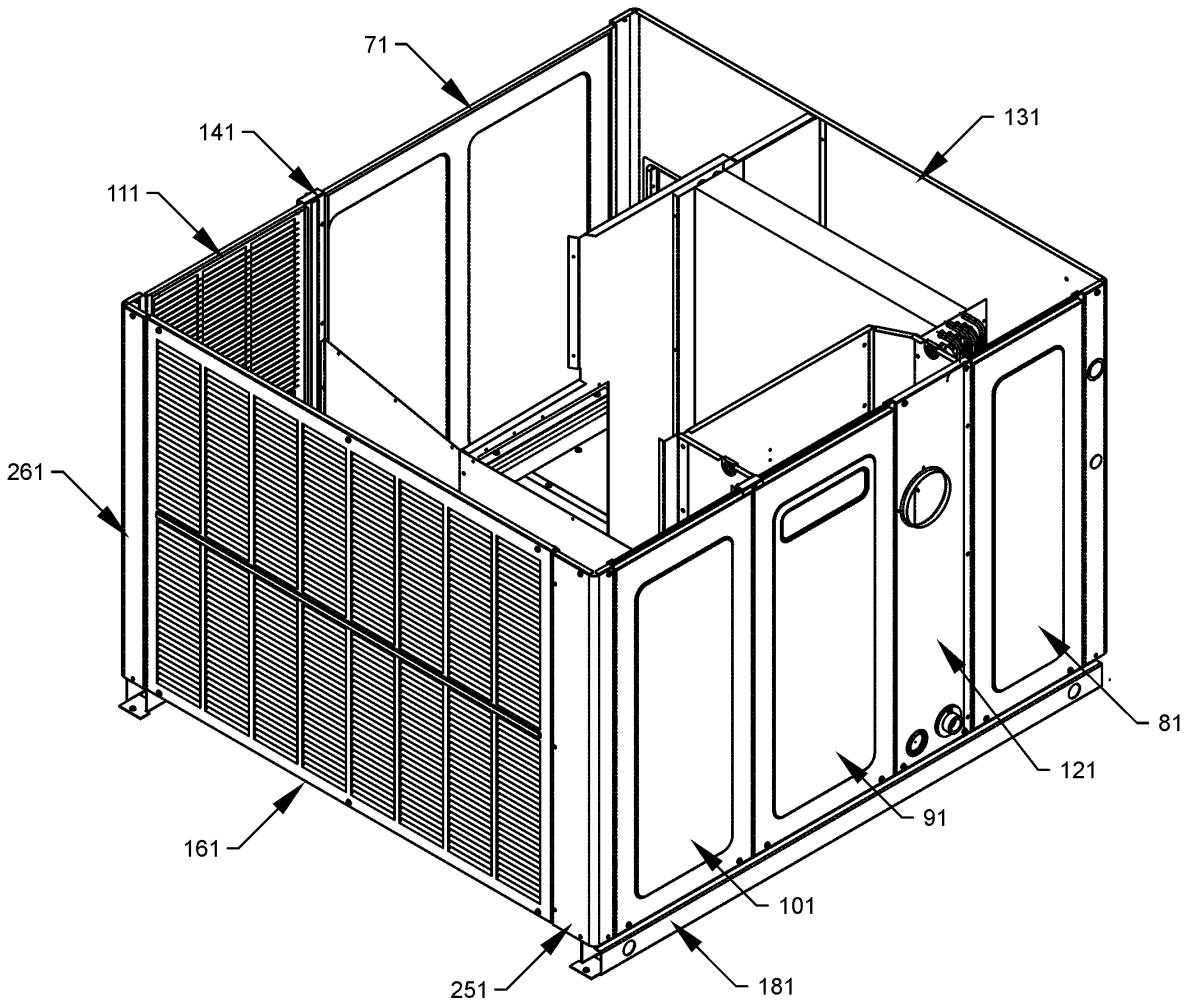
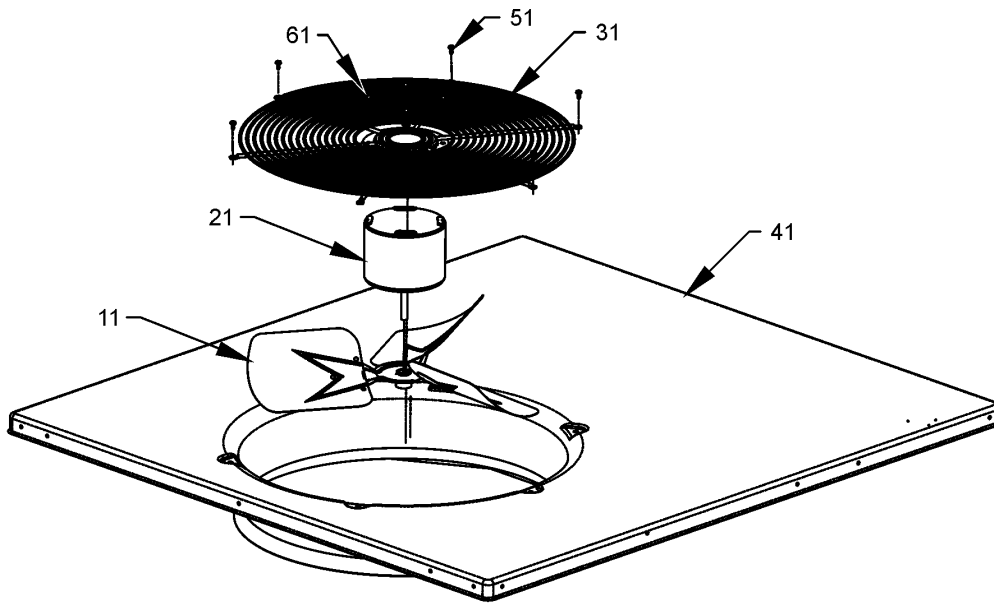
International Division
Goodman Company, L.P.
19001 Kermier Road
Waller, Texas 77484
713-861-2500-Telephone
713-863-2382-Facsimile

Functional Parts

Part No: **Description:**

Part No:	Description:	Expanded Model Nomenclature
B1370751	24V RELAY	M1 - APG1424040M41AC
0163F00017	BECKETT BURNER (QTY 2)	M2 - APG1424040M41AD
B1368000	BLOWER WHEEL (11 X 10) (M12, M13, M14)	M3 - APG1424060M41AC
CAP050350440CS	CAP, 5/35 MFD/440V/DUAL RD (M1, M2, M3, M4)	M4 - APG1424060M41AD
CAP050400440CT	CAP, 5/40 MFD/440V/DUAL RD (M5, M6)	M5 - APG1430040M41AC
CAP050450440CT	CAP, 5/45 MFD/440V/DUAL RD (M7, M8, M9, M10, M11, M12, M13, M14)	M6 - APG1430060M41AC
ZP20K5EPFV130	COMP,20000,208/230/60/1 (M1, M2, M3, M4)	M7 - APG1436040M41AC
ZP25K5EPFV130	COMP,25200,208/230/60/1 (M5, M6)	M8 - APG1436060M41AC
ZP29K5EPFV130	COMP,29000,208/230/60/1 (M7, M8, M9)	M9 - APG1436080M41AC
ZP34K5EPFV130	COMP,34500,208/230/60/1 (M10, M11)	M10 - APG1442060M41AC
ZP39K5EPFV130	COMP,39000,208/230/60/1 (M12, M13, M14)	M11 - APG1442080M41AC
CONT1P030024V	CONT, 1 POLE, 30 AMP, 24 VAC	M12 - APG1448060M41AC
0131M00747M	CONTROLLERLESS MOTOR (M10, M11, M12, M13, M14)	M13 - APG1448080M41AC
0131M00750M	CONTROLLERLESS MOTOR (M1, M2, M3, M4, M5, M6, M7, M8, M9)	M14 - APG1448100M41AC
0150M00008	FAN BLADE, 22" TNT2203-25 (M1, M2, M3, M4)	
0130F00010	FLAME SENSOR	
0151M00037	GAS VALVE (M2, M4, M5, M6, M7, M8, M9, M10, M11, M12, M13, M14)	
B1282628	GAS VALVE, MANIFOLD (36G) (M1, M3)	
0130M00074	HIGH PRESSURE SWITCH	
PCBAG123	IGNITION BOARD, DSI INTEGRATED	
0130F00014	IGNITOR	
10728344	LIMIT SWITCH (M12, M13, M14)	
10728342	LIMIT SWITCH (M1, M2, M3, M4, M5, M6, M7, M8, M9, M10, M11)	
10123532	LIMIT-RESET MAN-GRAY	
0131M00847	MOTOR, 1/4 HP, 1 SP, 6 PL (M5, M6, M10, M11, M12, M13, M14)	
0131M00836	MOTOR, 1/4HP,1SP,8PL,AL (M7, M8, M9)	
0131M00979	MOTOR, 1/6 HP, 1SP, 8PL,AL (M1, M2, M3, M4)	
0131G00000P	MOTOR, ID BLOWER	
11112501	PRESSURE SWITCH	
0131G00019	PROGRAMMED CONTROLLER (M10, M11)	
0131G00018	PROGRAMMED CONTROLLER (M7, M8, M9)	
0131G00017	PROGRAMMED CONTROLLER (M5, M6)	
0131G00016	PROGRAMMED CONTROLLER (M1, M2, M3, M4)	
0131G00020	PROGRAMMED CONTROLLER (M12, M13, M14)	
0130M00138	TRANSFORMER, 208/230, 24V	
B1368016	WHEEL, BLOWER, 10X8 (M1, M2, M3, M4, M5, M6)	
D6723303	WHEEL-BLOWER (M7, M8, M9, M10, M11)	

Top Panel / Fan / Cabinet



Top Panel / Fan / Cabinet

**Ref. Part
No: No:**

Description:

**Ref. Part
No: No:**

Description:

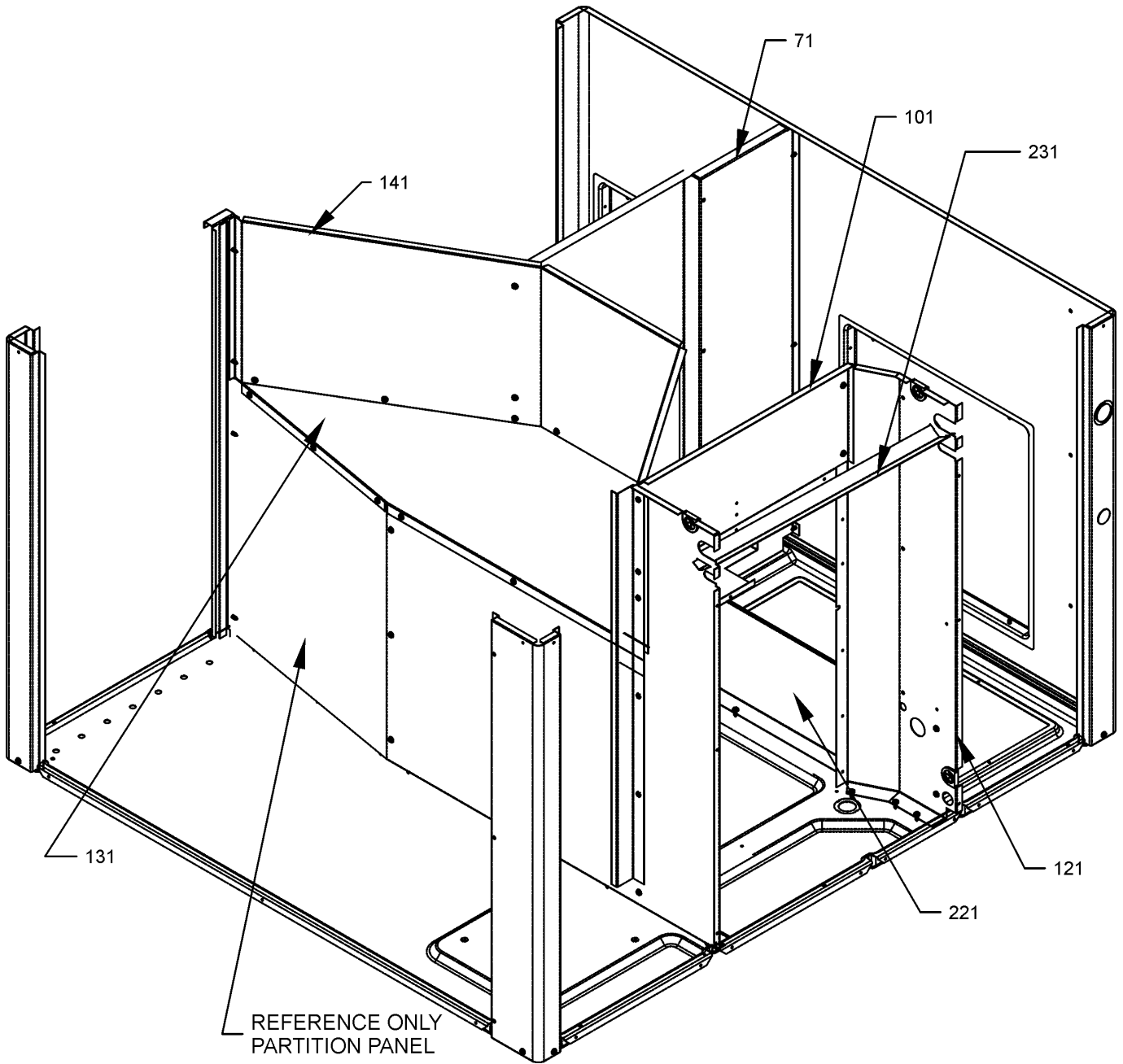
Image 1:

11	0150M00008	FAN BLADE, 22" TNT2203-25 (M1, M2, M3, M4)
21	0131M00847	MOTOR, 1/4 HP, 1 SP, 6 PL (M5, M6, M10, M11, M12, M13, M14)
21	0131M00836	MOTOR, 1/4HP,1SP,8PL,AL (M7, M8, M9)
21	0131M00979	MOTOR, 1/6 HP, 1SP, 8PL,AL (M1, M2, M3, M4)
31	0152G00003	GRILLE-FAN (M1, M2, M3, M4, M7, M8, M9, M10, M11, M12, M13, M14)
41	0121G00156PDG	TOP PANEL
51	M0221817	SMALL SCREW (QTY 6)
61	0163M00006P	ACORN NUT 5/16 HEX BLACK (QTY 4)
71	20464801PDG	DOOR - BLOWER 32 W/PAINT (M1, M2, M3, M4, M5, M6, M7, M8, M9, M10, M11)
71	20464806PDG	DOOR - BLOWER 40 W/PAINT (M12, M13, M14)
81	20464802PDG	DOOR-EVAP/CONTROL 32 W/PAINT (M1, M2, M3, M4, M5, M6, M7, M8, M9, M10, M11)
81	20464807PDG	DOOR-EVAP/CONTROL 40 W/PAINT (M12, M13, M14)
91	0121G00526DG	DOOR-HT EXCHANGE 32 (M1, M2, M3, M4, M5, M6, M7, M8, M9, M10, M11)
91	0121G00527DG	DOOR-HT EXCHANGE 38 (M12, M13, M14)
101	20464804PDG	DOOR-COMPRESSOR 38 (M1, M2, M3, M4, M5, M6, M7, M8, M9, M10, M11)
101	20464809PDG	DOOR-COMPRESSOR 40 W/PAINT (M12, M13, M14)
111	20467701PLG	PANEL - COND SIDE 32 W/PAINT (M1, M2, M3, M4, M5, M6, M10, M11)
111	20467702PLG	PANEL - COND SIDE 40 W/PAINT (M12, M13, M14)
111	0121G00465DG	PANEL-COND SIDE 32, PNT (M7, M8, M9)
121	20466101PDG	UTILITY PANEL 32 W/PAINT (M1, M2, M3, M4, M5, M6, M7, M8, M9, M10, M11)
121	20466102PDG	UTILITY PANEL 40 W/PAINT (M12, M13, M14)
131	0121G00802DG	PNL, DUCT, GAS 32.5" PNT (M1, M2, M3, M4, M5, M6, M7, M8, M9, M10, M11)
131	0121G00803DG	PNL, DUCT, GAS 40" PNT (M12, M13, M14)
141	0121G00460	POST-SUPPORT, SIDE (M1, M2, M3, M4, M5, M6, M7, M8, M9, M10, M11)
141	0121G00615	POST-SUPPORT, SIDE 40 (M12, M13, M14)
161	0121G00728LG	PANEL-COND LOUVERED 32 (M1, M2, M3, M4, M5, M6, M7, M8, M9, M10, M11)
161	0121G00729LG	PANEL-COND LOUVERED 40 (M12, M13, M14)
181	0121G00290	RAIL, BASEPAN, PKG (QTY 2)
251	0121G00453DG	CORNER-POST COMP END, PNT (M7, M8, M9, M10, M11)
251	20464201PDG	CRNR POST-COMP END 32 W/PAINT (M1, M2, M3, M4, M5, M6)
251	20464202PDG	CRNR POST-COMP END 40 W/PAINT (M12, M13, M14)
261	0121G00454DG	CORNER-POST HPIN END, PNT (M1, M2, M3, M4, M5, M6, M7, M8, M9, M10, M11)
261	0121G00456DG	CORNER-POST HPIN END, PNT (M12, M13, M14)
NS	0161G00016	CONDUIT PVC
NS	0270G00500	FLUE HOOD ASSY

Expanded Model Nomenclature

M1 - A PG1424040M41AC
M2 - A PG1424040M41AD
M3 - A PG1424060M41AC
M4 - A PG1424060M41AD
M5 - A PG1430040M41AC
M6 - A PG1430060M41AC
M7 - A PG1436040M41AC
M8 - A PG1436060M41AC
M9 - A PG1436080M41AC
M10 - A PG1442060M41AC
M11 - A PG1442080M41AC
M12 - A PG1448060M41AC
M13 - A PG1448080M41AC
M14 - A PG1448100M41AC

Partition Assembly



Partition Assembly

Ref. Part No:	Ref. Part No:	Description:	Description:
---------------	---------------	--------------	--------------

Image 1:

71	20465305	DIVIDER-BLOWER (M1, M2, M3, M4, M5, M6)
71	20465304	DIVIDER-BLOWER 32 10X9 (M7, M8, M9, M10, M11)
71	20465302	DIVIDER-BLOWER 38 (M12, M13, M14)
101	0121G00894	PANEL FILLER HT EXCH 32 (M1, M2, M3, M4, M5, M6, M7, M8, M9, M10, M11)
101	0121G00895	PANEL FILLER HT EXCH 40 (M12, M13, M14)
121	0121G00757	DIVIDER, EVAP/HT EXCH 32 (M1, M2, M3, M4, M5, M6, M7, M8, M9, M10, M11)
121	0121G00758	DIVIDER, EVAP/HT EXCH 38 (M12, M13, M14)
131	20465701	FAN PARTITION SHELF
141	20465801	SURROUND-FAN 32 (M1, M2, M3, M4, M5, M6, M7, M8, M9, M10, M11)
141	20465802	SURROUND-FAN 40 (M12, M13, M14)
221	20463802	BLOCK-EVAP/BPAN 32 (M1, M2, M3, M4, M5, M6, M7, M8, M9, M10, M11)
221	20463801	BLOCK-EVAP/BPAN 40 (M12, M13, M14)
231	0121G00555	DRAIN CHANNEL, SUCTION TUBE

Expanded Model Nomenclature

- M1 - A PG1424040M41AC
- M2 - A PG1424040M41AD
- M3 - A PG1424060M41AC
- M4 - A PG1424060M41AD
- M5 - A PG1430040M41AC
- M6 - A PG1430060M41AC
- M7 - A PG1436040M41AC
- M8 - A PG1436060M41AC
- M9 - A PG1436080M41AC
- M10 - A PG1442060M41AC
- M11 - A PG1442080M41AC
- M12 - A PG1448060M41AC
- M13 - A PG1448080M41AC
- M14 - A PG1448100M41AC

Basepan / Blower Assembly

Image 1

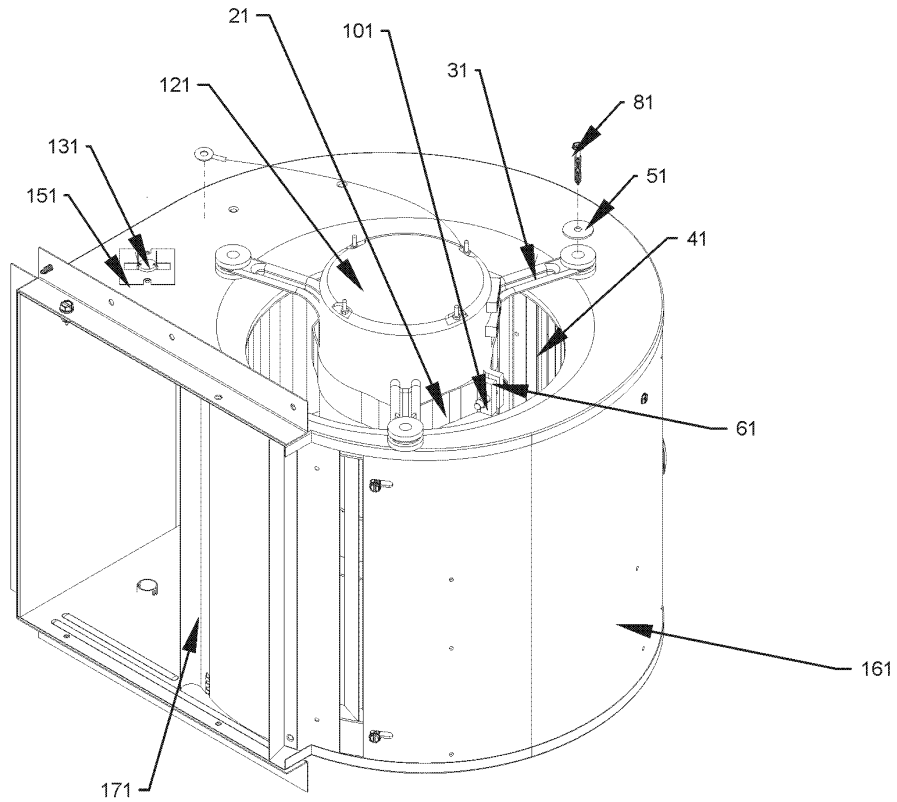
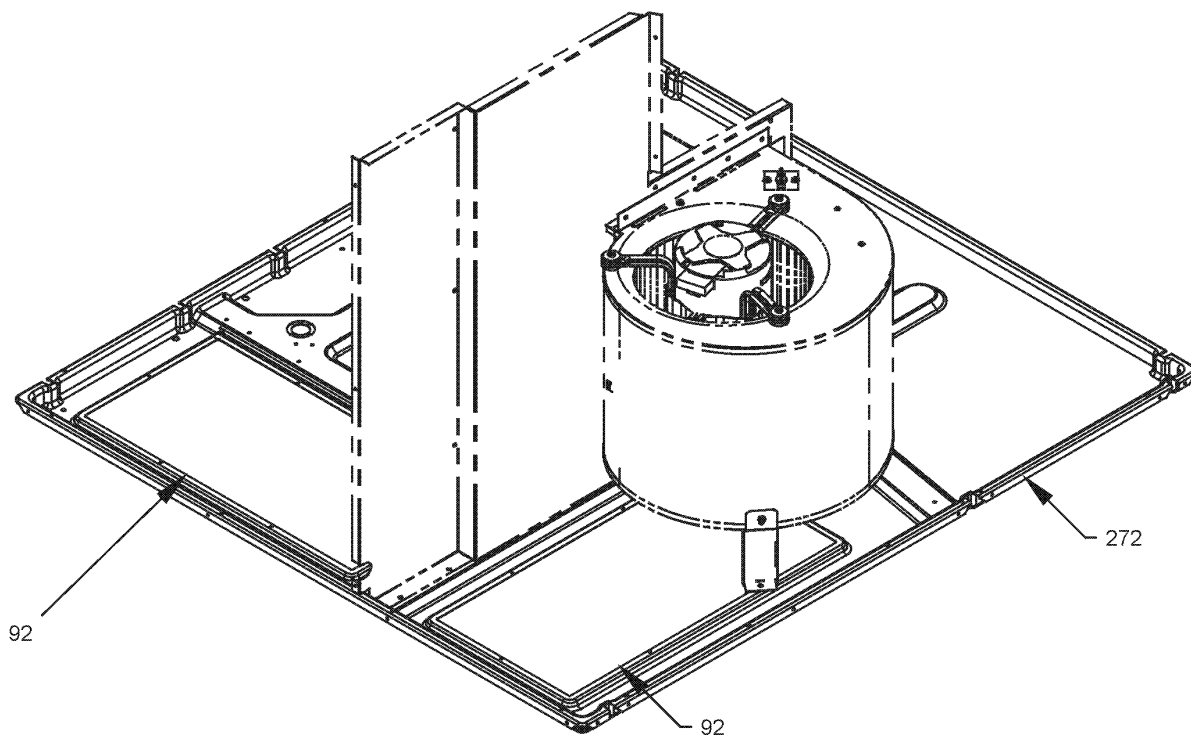


Image 2



Basepan / Blower Assembly

Ref. Part No:	Ref. Part No:	Description:	Description:
Image 1:			
21	0121M00038	MOTOR MOUNT BAND	
31	B1376857	MOTOR MOUNT ARM (QTY 3)	
41	B1368000	BLOWER WHEEL (11 X 10) (M12, M13, M14)	
41	B1368016	WHEEL, BLOWER, 10X8 (M1, M2, M3, M4, M5, M6)	
41	D6723303	WHEEL-BLOWER (M7, M8, M9, M10, M11)	
51	B1392918	WASHER FLAT 1/4 ID X 1 OD (QTY 3)	
61	B1393323	SCREW,MACHI HWH 1/4-20X1 1/2 BZ	
81	M0250565	TC SCREW 1.25" (QTY 3)	
101	B1393800	LOCKNUT, NYLON, INSERT 1/4, 20	
121	0131M00747M	CONTROLLERLESS MOTOR (M10, M11, M12, M13, M14)	
121	0131M00750M	CONTROLLERLESS MOTOR (M1, M2, M3, M4, M5, M6, M7, M8, M9)	
121	0131G00016	PROGRAMMED CONTROLLER (M1, M2, M3, M4)	
121	0131G00017	PROGRAMMED CONTROLLER (M5, M6)	
121	0131G00018	PROGRAMMED CONTROLLER (M7, M8, M9)	
121	0131G00019	PROGRAMMED CONTROLLER (M10, M11)	
121	0131G00020	PROGRAMMED CONTROLLER (M12, M13, M14)	
131	20269903	LIMIT	
151	2509503	BRACKET F/ROLLOUT SWUT SWITCH	
161	0271G00025	BLOWER HOUSING ASSY (10X8) (M1, M2, M3, M4, M5, M6)	
161	0271G00024	BLOWER HOUSING ASSY (10X9) (M7, M8, M9, M10, M11)	
161	2539309	BLOWER HOUSING ASSY (11X10) (M12, M13, M14)	
171	764742	BLOCK OFF - BLOWER (M7, M8, M9, M10, M11)	
171	1864703	BLOWER CUT-OFF ASM,5TON,MORRIS (M12, M13, M14)	
171	764740	BLWR BLK-OFF,10X8 (M1, M2, M3, M4, M5, M6)	

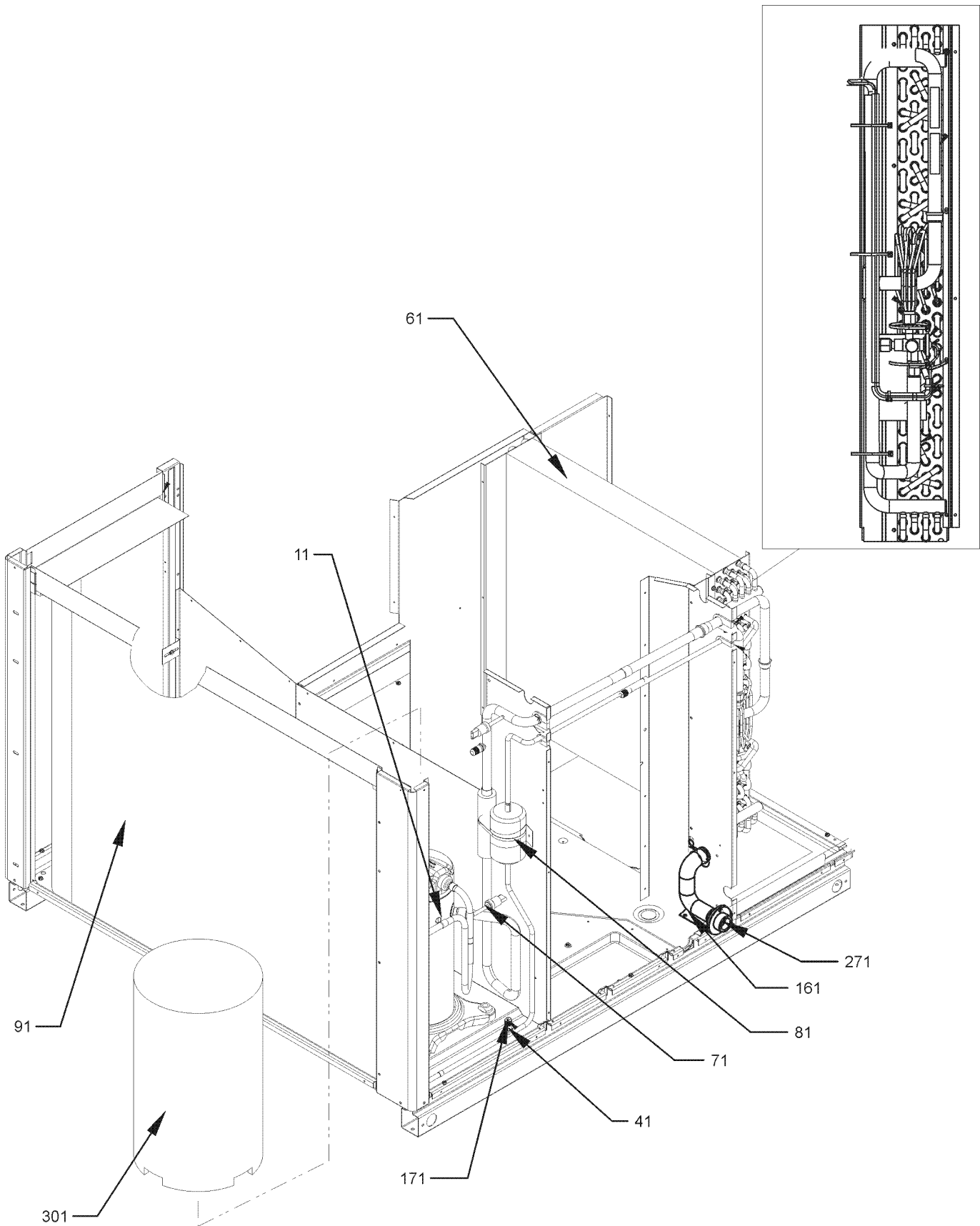
Image 2:

92	0121G00148	SINGLE COVER, DOWN DISCHARGE (QTY 2)
272	0121G00444	BASEPAN, PACKAGE

Expanded Model Nomenclature

M1 - APG1424040M41AC
M2 - APG1424040M41AD
M3 - APG1424060M41AC
M4 - APG1424060M41AD
M5 - APG1430040M41AC
M6 - APG1430060M41AC
M7 - APG1436040M41AC
M8 - APG1436060M41AC
M9 - APG1436080M41AC
M10 - APG1442060M41AC
M11 - APG1442080M41AC
M12 - APG1448060M41AC
M13 - APG1448080M41AC
M14 - APG1448100M41AC

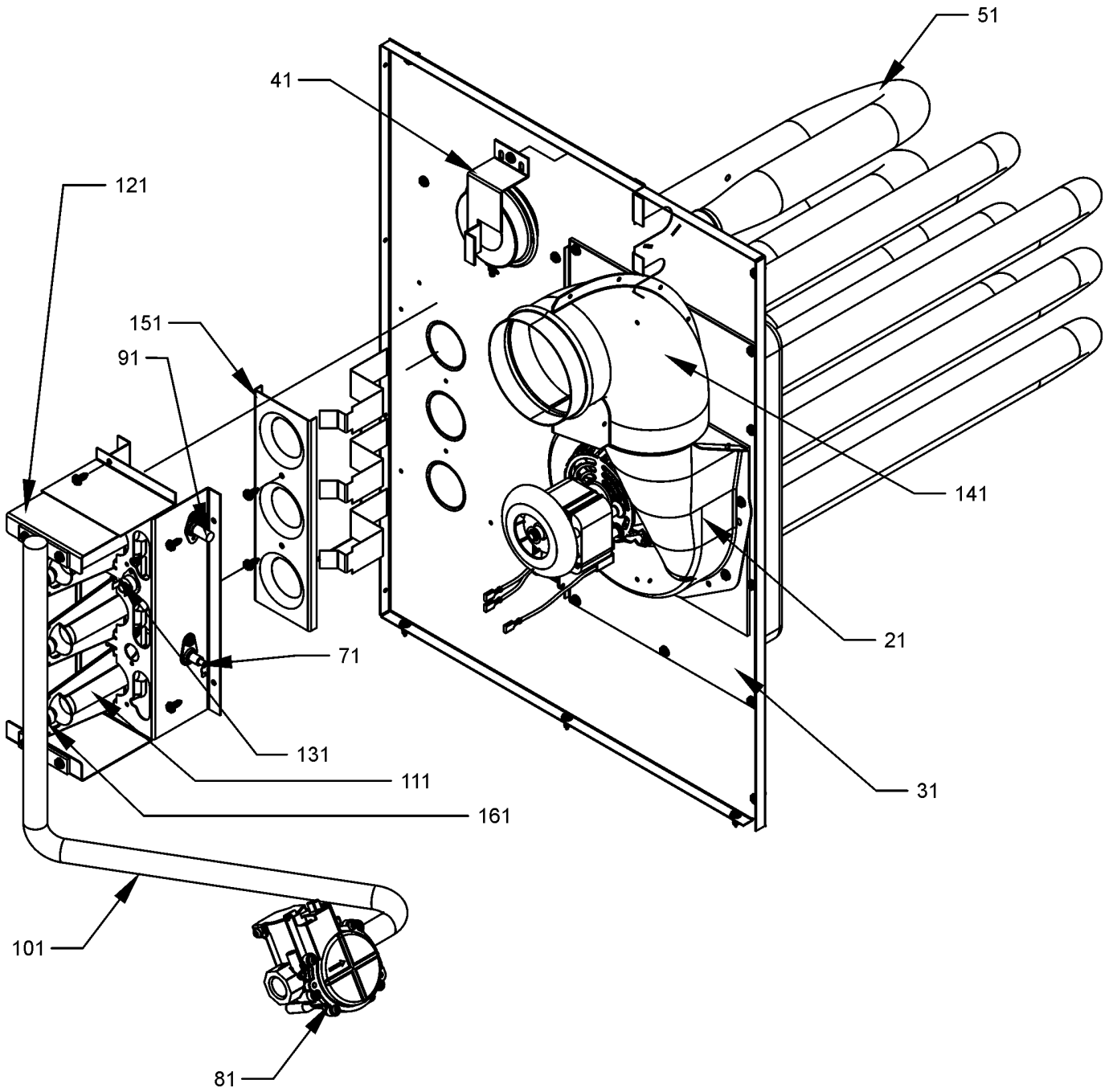
Compressor / Tubing Assembly



Compressor / Tubing Assembly

Ref. Part No: No:	Description:	Ref. Part No: No:	Description:
Image 1:		Expanded Model Nomenclature	
11	ZP20K5EPFV130 COMP,20000,208/230/60/1 (M1, M2, M3, M4)	M1 -	APG1424040M41AC
11	ZP25K5EPFV130 COMP,25200,208/230/60/1 (M5, M6)	M2 -	APG1424040M41AD
11	ZP29K5EPFV130 COMP,29000,208/230/60/1 (M7, M8, M9)	M3 -	APG1424060M41AC
11	ZP34K5EPFV130 COMP,34500,208/230/60/1 (M10, M11)	M4 -	APG1424060M41AD
11	ZP39K5EPFV130 COMP,39000,208/230/60/1 (M12, M13, M14)	M5 -	APG1430040M41AC
41	B1373315 ACCESS FITTING (QTY 2)	M6 -	APG1430060M41AC
61	0202G00565 COIL TUBING ASSY (M1, M2, M3, M4)	M7 -	APG1436040M41AC
61	0202G00566 COIL TUBING ASSY (M5, M6)	M8 -	APG1436060M41AC
61	0202G00567 COIL TUBING ASSY (M7, M8, M9)	M9 -	APG1436080M41AC
61	0202G00685 COIL TUBING ASSY (M12, M13, M14)	M10 -	APG1442060M41AC
61	0202G00697 COIL TUBING ASSY (M10, M11)	M11 -	APG1442080M41AC
71	0130M00074 HIGH PRESSURE SWITCH	M12 -	APG1448060M41AC
81	0162G00007 SINGLE-FLOW FILTER DRIER,STL (M10, M11, M12, M13, M14)	M13 -	APG1448080M41AC
81	0162G00008 SINGLE-FLOW FILTER DRIER,STL (M1, M2, M3, M4, M5, M6, M7, M8, M9)	M14 -	APG1448100M41AC
91	0201G00463 COND COIL ASSY (M12, M13, M14)		
91	0201G00142 COND COIL TUBING ASSY (M1, M2, M3, M4, M5, M6)		
91	0201G00249 CONDENSER COIL ASSY (M7, M8, M9)		
91	0201G00262 CONDENSER COIL ASSY (M10, M11)		
161	20498302 TUBE-DRAIN 32 (M1, M2, M3, M4, M5, M6, M7, M8, M9, M10, M11)		
161	20498301 TUBE-DRAIN 40 (M12, M13, M14)		
171	0163M00175 CAP WITH O-RING (QTY 2)		
271	20513001 EVAP DRAIN FITTING		
301	0160M00039 COMPRESSOR BLANKET		
NS	0259G00209 BLOWER HARNESS (M1, M2, M3, M4, M5, M6, M7, M8, M9, M10, M11)		
NS	B1339533 COMPRESSOR GROMMET (QTY 4)		
NS	20464901DF DRAIN PAN-EVAP COIL		
NS	0259G00023 HARNESS, BLOWER (M12, M13, M14)		
NS	0159G00009 HARNESS-COMP SCROLL (M10, M11)		
NS	0159G00014 HARNESS-COMP SCROLL (M1, M2, M3, M4, M5, M6, M7, M8, M9)		
NS	0159G00015 HARNESS-COMP SCROLL (M12, M13, M14)		
NS	B1810011 HOSE CLAMP 1.25 (QTY 2)		
NS	M0221641 SCREW-SHOULDER TF (QTY 4)		
NS	M0221641 TF SHOULDER SCREW (QTY 4)		

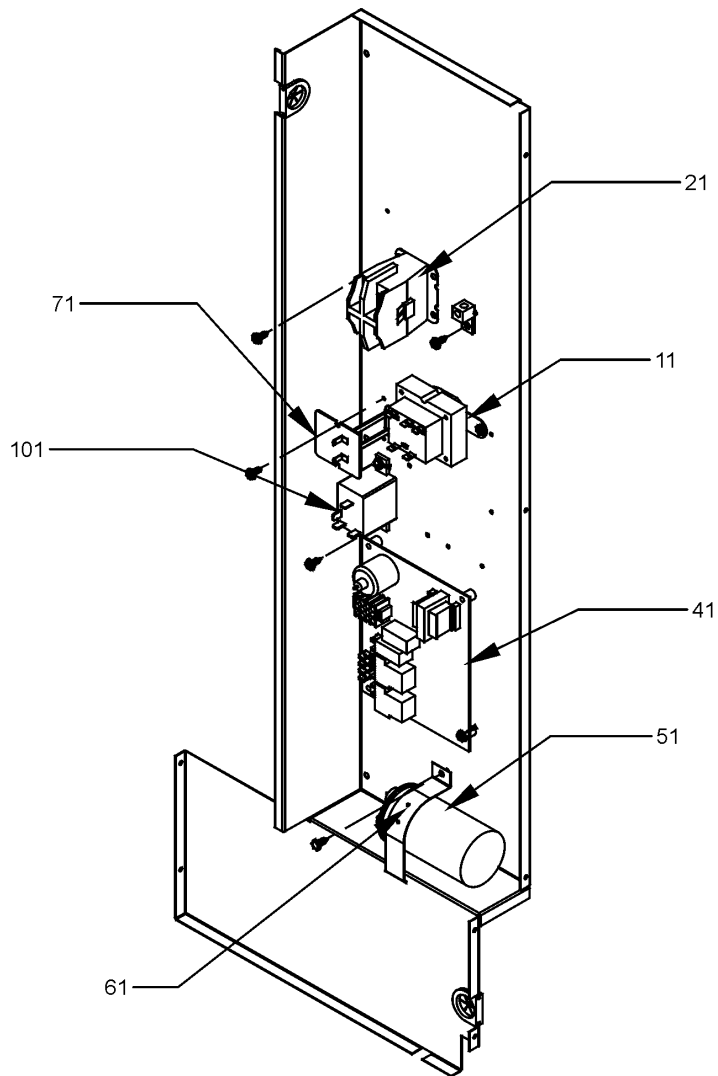
Heat Exchanger / Manifold / Gas Valve



Heat Exchanger / Manifold / Gas Valve

Ref. Part No:	Description:	Ref. Part No:	Description:
Image 1:		Expanded Model Nomenclature	
21	0131G00000P MOTOR, ID BLOWER	M1	- A PG1424040M41AC
31	0121G00739 PLATE-ID BLOWER (M1, M2, M5, M7)	M2	- A PG1424040M41AD
31	0121G00740 PLATE-ID BLOWER (M3, M4, M6, M8, M10)	M3	- A PG1424060M41AC
31	0121G00741 PLATE-ID BLOWER (M9, M11)	M4	- A PG1424060M41AD
31	0121G00742 PLATE-ID BLOWER (M14)	M5	- A PG1430040M41AC
31	0121G00744 PLATE-ID BLOWER (M12)	M6	- A PG1430060M41AC
31	0121G00745 PLATE-ID BLOWER (M13)	M7	- A PG1436040M41AC
41	11112501 PRESSURE SWITCH	M8	- A PG1436060M41AC
51	20490715 ASSY, PART/TUBE (M1, M2, M5, M7)	M9	- A PG1436080M41AC
51	20490717 ASSY, PART/TUBE (M12)	M10	- A PG1442060M41AC
51	20490710 PART/TUBE ASSY 3B (M3, M4, M6, M8, M10)	M11	- A PG1442080M41AC
51	20490711 PART/TUBE ASSY 4B (M9, M11)	M12	- A PG1448060M41AC
51	20490712 PART/TUBE ASSY 4B (M13)	M13	- A PG1448080M41AC
51	20490713 PART/TUBE ASSY 5B (M14)	M14	- A PG1448100M41AC
71	0130F00014 IGNITOR		
81	0151M00037 GAS VALVE (M2, M4, M5, M6, M7, M8, M9, M10, M11, M12, M13, M14)		
81	B1282628 GAS VALVE, MANIFOLD (36G) (M1, M3)		
91	0130F00010 FLAME SENSOR		
101	20493103 MANIFOLD- 3 BRNR 32 (M3, M4, M6, M8, M10)		
101	20493104 MANIFOLD- 4 BRNR 32 (M9, M11)		
101	20493105 MANIFOLD- 4 BRNR 38 (M13)		
101	20493106 MANIFOLD- 5 BRNR 38 (M14)		
101	0121M00035P MANIFOLD-2 BURNER (M1, M2, M5, M7)		
101	0121M00036P MANIFOLD-3 BURNER (M12)		
111	0163F00017 BECKETT BURNER (QTY 2)		
121	20190410 BRKT-BURNER 2B FUR (M1, M2, M5, M7)		
121	0121L02164 BRKT-BURNER 3B FUR (M3, M4, M6, M8, M10, M12)		
121	20190412 BRKT-BURNER 4B FUR (M9, M11, M13)		
121	20190413 BRKT-BURNER 5B FUR (M14)		
131	10123532 LIMIT-RESET MAN-GRAY		
141	20484401 FLUE ELBOW LEFT		
141	20484402 FLUE ELBOW RIGHT		
151	11072201 SHIELD-ORF CO FUR (M1, M2, M5, M7)		
151	11072202 SHIELD-ORF CO FUR (M3, M4, M6, M8, M10, M12)		
151	11072203 SHIELD-ORF CO FUR (M9, M11, M13)		
151	11072204 SHIELD-ORF CO FUR (M14)		
161	10716005 ORIFICE (QTY 2)		
NS	0154G00020 GASKET-ID BLOWER & PLATE (M1, M2, M3, M4, M5, M6, M7, M8, M9, M10, M11)		
NS	0154G00021 GASKET-ID BLOWER & PLATE (M12, M13, M14)		

Control Panel



Control Panel

Ref. Part No:	Part No:	Description:	Ref. Part No:	Part No:	Description:
---------------	----------	--------------	---------------	----------	--------------

Image 1:

11	0130M00138	TRANSFORMER, 208/230, 24V
21	CONT1P030024V	CONT, 1 POLE, 30 AMP, 24 VAC
41	PCBAG123	IGNITION BOARD, DSI INTEGRATED
51	CAP050350440CS	CAP, 5/35 MFD/440V/DUAL RD (M1, M2, M3, M4)
51	CAP050400440CT	CAP, 5/40 MFD/440V/DUAL RD (M5, M6)
51	CAP050450440CT	CAP, 5/45 MFD/440V/DUAL RD (M7, M8, M9, M10, M11, M12, M13, M14)
61	20520901	CAPACITOR STRAP
71	10728342	LIMIT SWITCH (M1, M2, M3, M4, M5, M6, M7, M8, M9, M10, M11)
71	10728344	LIMIT SWITCH (M12, M13, M14)
101	B1370751	24V RELAY
NS	0259G00083	HARNESS-CONTROL (M12, M13, M14)
NS	0259G00207	HARNESS-CONTROL, FAN (M1, M2, M3, M4, M5, M6, M7, M8, M9, M10, M11)

Expanded Model Nomenclature

M1 - APG1424040M41AC
M2 - APG1424040M41AD
M3 - APG1424060M41AC
M4 - APG1424060M41AD
M5 - APG1430040M41AC
M6 - APG1430060M41AC
M7 - APG1436040M41AC
M8 - APG1436060M41AC
M9 - APG1436080M41AC
M10 - APG1442060M41AC
M11 - APG1442080M41AC
M12 - APG1448060M41AC
M13 - APG1448080M41AC
M14 - APG1448100M41AC