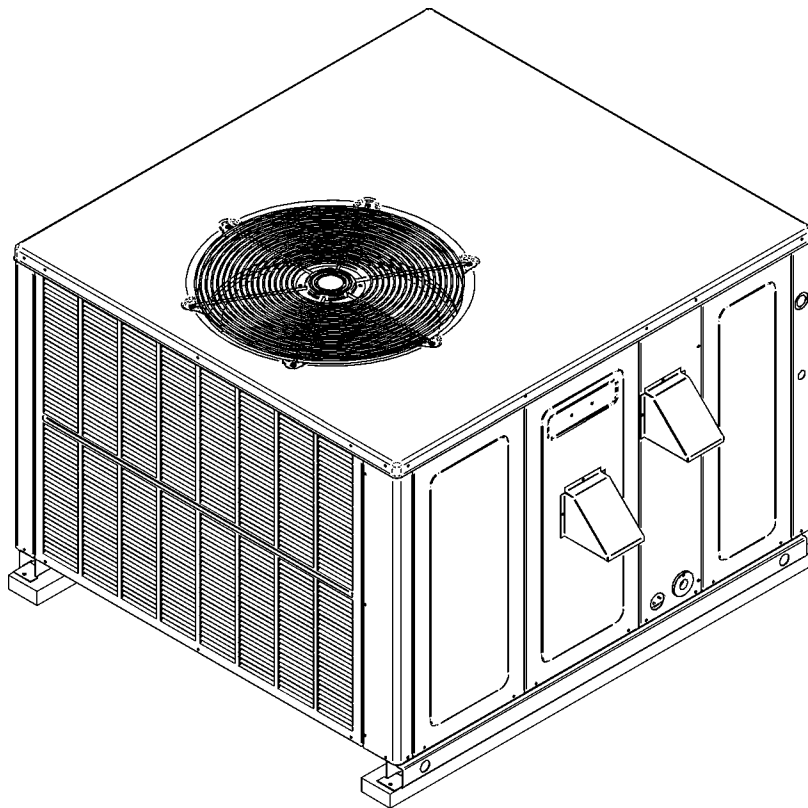


## APG Package Gas Units

APG13240451BB  
APG13240701BB  
APG13300451AC  
APG13300701AC  
APG13360451AC  
APG13360701AC  
APG13360901AC  
APG13420701AB  
APG13420901AB



Amana is a trademark of Maytag Corporation and used under license to Goodman Company, L.P. All rights reserved.

This manual is to be used by qualified technicians only.

© 2008 Goodman Company, L.P. ♦ 5151 San Felipe, Suite 500 ♦ Houston, TX 77056



# Important Information

---

## Index

Functional Parts List .....	3
Illustration and Parts .....	4 - 15

*Views shown are for parts illustrations only, not servicing procedures.*

7/11/08: Added note regarding factory installed duct covers (p. 7).

### Text Codes:

AR - As Required

NA - Not Available

NS - Not Shown

00000000 - See Note

QTY - Quantity Example (QTY 3) (If Quantity not shown, Quantity = 1)

M - Model Example (M1) (If M Code not shown, then part is used on all Models)

### Expanded Model Nomenclature:

Example M1 - Model#1 M2 - Model#2 M3 - Model#3
---

Goodman Company, L.P. is not responsible for personal injury or property damage resulting from improper service. Review all service information before beginning repairs.

Warranty service must be performed by an authorized technician, using authorized factory parts. If service is required after the warranty expires, Goodman Company, L.P. also recommends contacting an authorized technician and using authorized factory parts.

Goodman Company, L.P. reserves the right to discontinue, or change at any time, specifications or designs without notice or without incurring obligations.

For assistance within the U.S.A. contact:

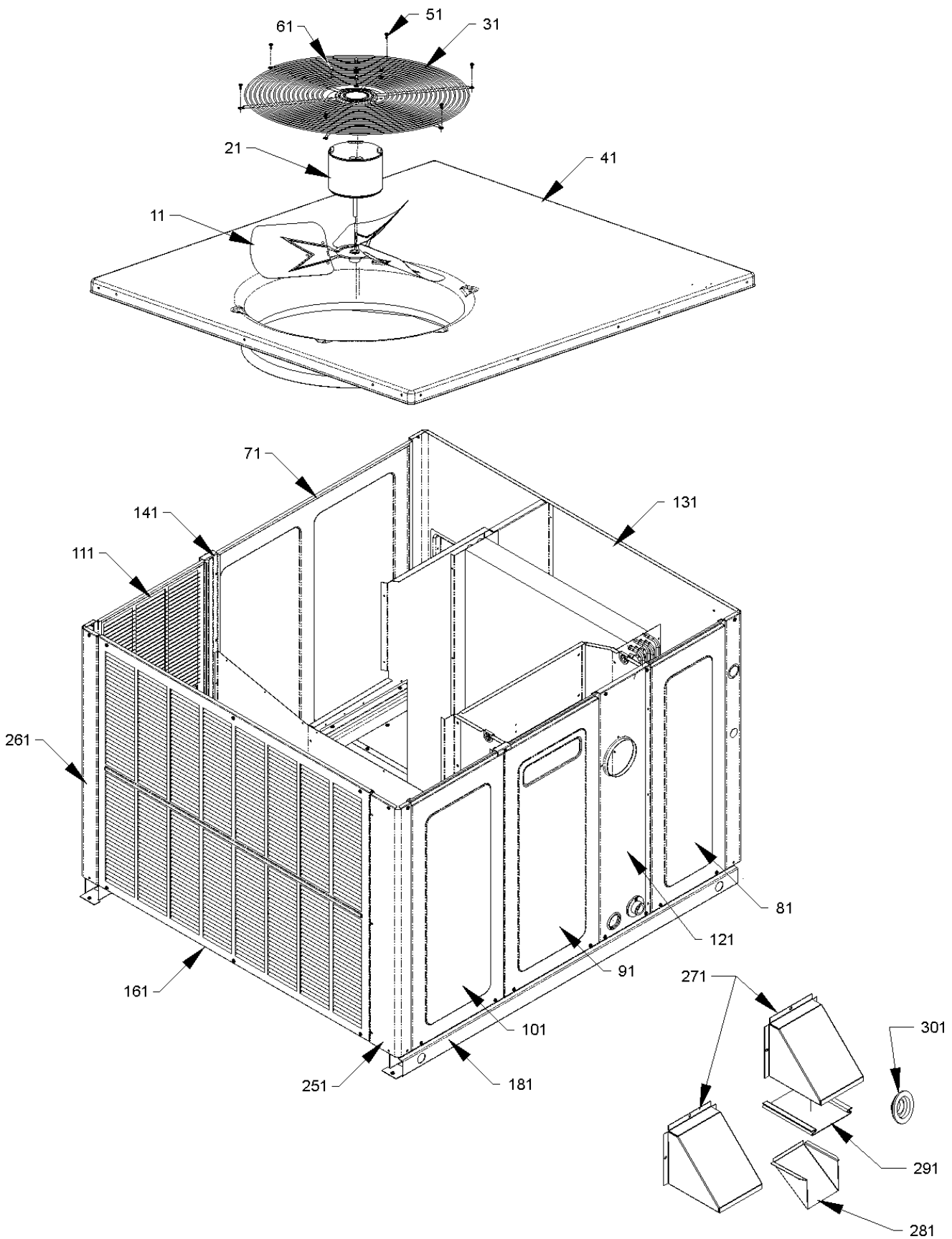
Consumer Affairs Department  
Goodman Company, L.P.  
7401 Security Way  
Houston, Texas 77040  
877-254-4729-Telephone  
713-863-2382-Facsimile

For assistance outside the U.S.A. contact:

International Division  
Goodman Company, L.P.  
7401 Security Way  
Houston, Texas 77040  
713-861-2500-Telephone  
713-863-2382-Facsimile



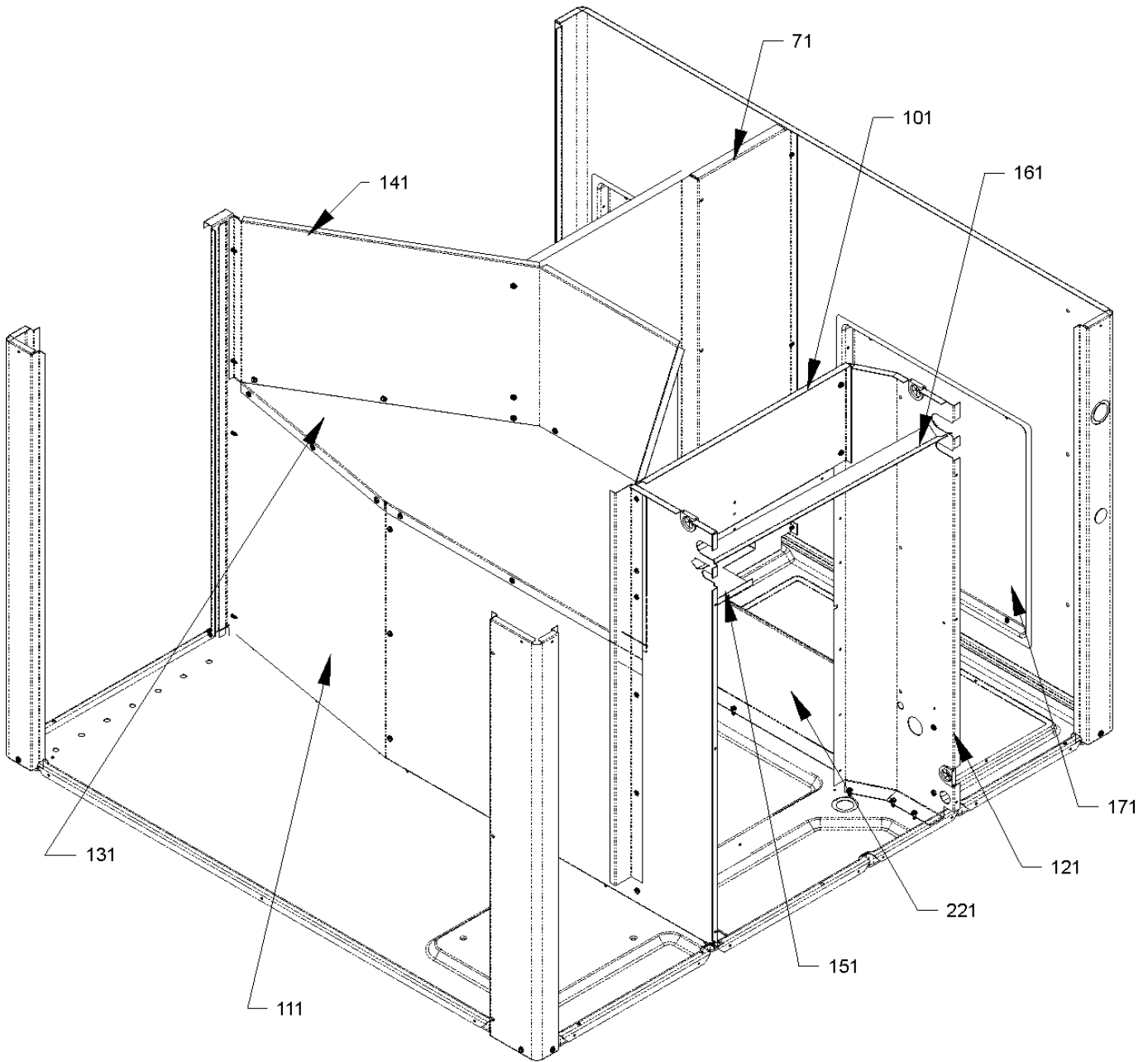
# Top Panel/Fan/Cabinet



# Top Panel/Fan/Cabinet

Ref. Part No:	No:	Description:	Ref. Part No:	No:	Description:
<i>Image 1:</i>			Expanded Model Nomenclature		
11	0150M00002PS	FAN BLADE 22" (M1, M2, M3, M4)	M1 -	APG13240451BB	
11	0150G00002S	FAN BLADE-SWEPT WING (M5, M6, M7, M8, M9)	M2 -	APG13240701BB	
21	0131M00007PS	COND MOTOR 1/4 HP, 1 SP, 8 PL (M3, M4, M8, M9)	M3 -	APG13300451AC	
21	0131M00061S	COND MOTOR 1/4 HP, 1 SP, 8 PL (M1, M2, M5, M6, M7)	M4 -	APG13300701AC	
31	B1376923	FAN GRILLE GUARD, LRG	M5 -	APG13360451AC	
41	20466001PDGS	TOP PANEL	M6 -	APG13360701AC	
51	0163M00003P	SCREW #10 X 1/2, A, SLOT, SR, BLACK (QTY 6)	M7 -	APG13360901AC	
61	0163M00006P	ACORN NUT 5/16 HEX BLACK (QTY 4)	M8 -	APG13420701AB	
71	20464801PDG	BLOWER DOOR 32" (M1, M2, M3, M4, M5, M6, M7)	M9 -	APG13420901AB	
71	20464806PDG	BLOWER DOOR 40" (M8, M9)			
81	20464802PDG	EVAP/CONTROL DOOR 32" (M1, M2, M3, M4, M5, M6, M7)			
81	20464807PDGS	EVAP/CONTROL DOOR 40" (M8, M9)			
91	0121G00179DG	HEAT EXCHANGER DOOR 32" (M1, M2, M3, M4, M5, M6, M7)			
91	0121G00181DG	HEAT EXCHANGER DOOR 40" (M8, M9)			
101	20464804PDG	COMPRESSOR DOOR 32" (M1, M2, M3, M4, M5, M6, M7)			
101	20464809PDG	COMPRESSOR DOOR 40" (M8, M9)			
111	20467701PLG	LOUVERED PANEL, COND SIDE 32" (M1, M2, M3, M4, M5, M6, M7)			
111	20467702PLG	LOUVERED PANEL, COND SIDE 40" (M8, M9)			
121	20466101PDG	UTILITY PANEL 32" (M1, M2, M3, M4, M5, M6, M7)			
121	20466102PDG	UTILITY PANEL 40" (M8, M9)			
131	0121G00239DG	DUCT PANEL 32.5" (M1, M2, M3, M4, M5, M6, M7)			
131	0121G00240DG	DUCT PANEL 40" (M8, M9)			
141	0121G00208	SUPPORT POST 32" (M1, M2, M3, M4, M5, M6, M7)			
141	0121G00209	SUPPORT POST 40" (M8, M9)			
161	20464401PLG	LOUVERED PANEL, COND SIDE 32" (M1, M2, M3, M4, M5, M6, M7)			
161	20464402PLG	LOUVERED PANEL, COND SIDE 40" (M8, M9)			
181	0121G00290	BASEPAN RAIL (QTY 2)			
251	20464201PDG	CORNER POST-COMP END 32" (M1, M2, M3, M4, M5, M6, M7)			
251	20464202PDG	CORNER POST-COMP END 40" (M8, M9)			
261	20464301PDG	CORNER POST-HAIRPIN END 32" (M1, M2, M3, M4, M5, M6, M7)			
261	20464302PDG	CORNER POST-HAIRPIN END 40" (M8, M9)			
271	20465601PDG	FLUE HOOD (QTY 2)			
281	0121G00190	FLUE HOOD-LOWER			
291	20472601	FLUE HOOD SCREEN			
301	B1910012	GAS LINE GROMMET			
NS	B10259253	AMANA LABEL			
NS	0270G00070S	FLUE HOOD ASSY			
NS	17788000083F	PVC CONDUIT 8.25"			

# Partition Panels



# Partition Panels

Ref. Part No:	No:	Description:	Ref. Part No:	No:	Description:
<i>Image 1:</i>					
71	20465305	BLOWER DIVIDER (M1, M2, M3, M4)			
71	20465306	BLOWER DIVIDER (M8, M9)			
71	20465304	BLOWER DIVIDER 32" 10 X 9 (M5, M6, M7)			
101	20465201	FILLER PANEL, HEAT EXCHANGER 32" (M1, M2, M3, M4, M5, M6, M7)			
101	20465202	FILLER PANEL, HEAT EXCHANGER 40" (M8, M9)			
111	0121G00198	PARTITION PANEL 32.5" (M1, M2, M3, M4, M5, M6, M7)			
111	0121G00199	PARTITION PANEL 40" (M8, M9)			
121	20465501	EVAP/HEAT EXCHANGER DIVIDER 32" (M1, M2, M3, M4, M5, M6, M7)			
121	20465502	EVAP/HEAT EXCHANGER DIVIDER 38" (M8, M9)			
131	20465701	FAN PARTITION SHELF			
141	20465801	FAN SURROUND 32" (M1, M2, M3, M4, M5, M6, M7)			
141	20465802	FAN SURROUND 40" (M8, M9)			
151	20472501	SHIELD, HEAT EXCHANGER TUBES			
161	20496801	DRAIN CHANNEL, SUCTION TUBE			
171	20464501PDG	BACK DUCT COVER 27" & 32" (M1, M2, M3, M4, M5, M6, M7)			
		Effective July 2008 (serial codes 0807), single phase units will no longer be factory shipped with horizontal duct covers. For downshot applications, contact your local Goodman distributor.			
171	20464502PDG	BACK DUCT COVER 40" (M8, M9)			
		Effective July 2008 (serial codes 0807), single phase units will no longer be factory shipped with horizontal duct covers. For downshot applications, contact your local Goodman distributor.			
221	20463802	EVAP/BASEPAN BLOCK 32" (M1, M2, M3, M4, M5, M6, M7)			
221	20463801	EVAP/BASEPAN BLOCK 40" (M8, M9)			

## Expanded Model Nomenclature

- |                    |
|--------------------|
| M1 - APG13240451BB |
| M2 - APG13240701BB |
| M3 - APG13300451AC |
| M4 - APG13300701AC |
| M5 - APG13360451AC |
| M6 - APG13360701AC |
| M7 - APG13360901AC |
| M8 - APG13420701AB |
| M9 - APG13420901AB |

# Basepan/Blower Assembly

Image 1

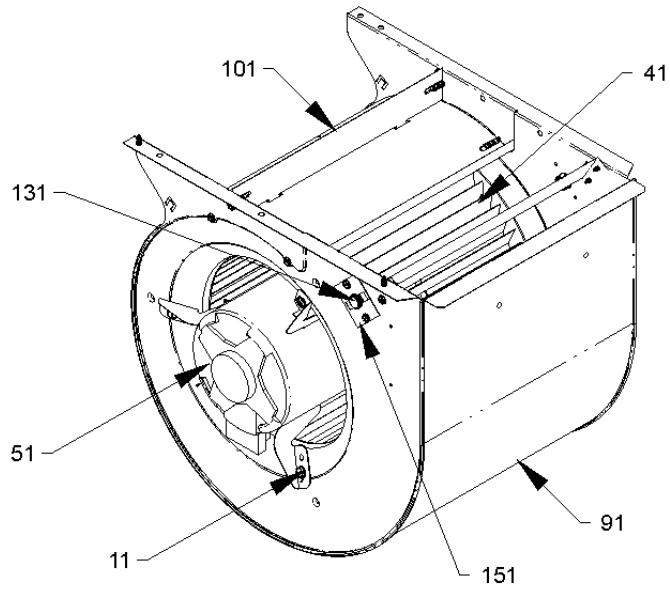
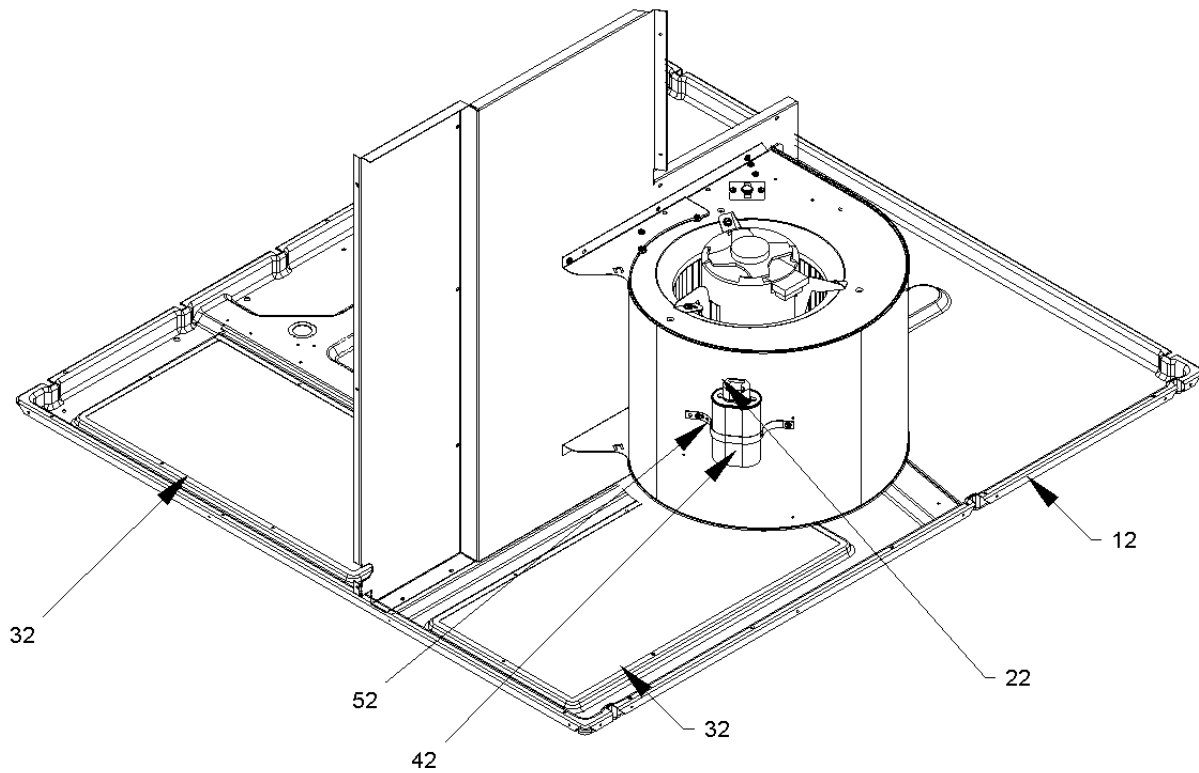


Image 2



# Basepan/Blower Assembly

Ref. Part No:	Part No:	Description:	Ref. Part No:	Part No:	Description:
---------------	----------	--------------	---------------	----------	--------------

*Image 1:*

11	M0250558	TC SCREW (QTY 3)
41	D6723303S	BLOWER WHEEL (M5, M6, M7)
41	D6723306S	BLOWER WHEEL (M8, M9)
41	B1368016S	BLOWER WHEEL 10 X 8 (M3, M4)
41	B1368058S	BLOWER WHEEL 10 X 8 (M1, M2)
51	11091202S	BLOWER MOTOR 1/3 HP, 3 SP, 6 PL (M3, M4)
51	11091207S	BLOWER MOTOR 1/4 HP, 3 SP, 8 PL (M1, M2)
51	11091203S	COND MOTOR 1/3 HP, 3 SP, 6 PL (M5, M6, M7, M8, M9)
91	0271F00057	BLOWER HOUSING ASSY 10 X 10 (M8, M9)
91	0271F00001PS	BLOWER HOUSING ASSY 10 X 8 (M1, M2)
91	0271G00025	BLOWER HOUSING ASSY 10 X 8 (M3, M4)
91	0271G00024S	BLOWER HOUSING ASSY 10 X 9 (M5, M6, M7)
101	764742	BLOWER BLOCK-OFF (M5, M6, M7)
101	764741F	BLOWER CUT-OFF 10 X 10 (M8, M9)
101	764740F	BLOWER CUT-OFF 10 X 8 (M1, M2, M3, M4)
131	20269903	AUXILIARY LIMIT, AUTO RESET
151	2509503F	AUXILIARY LIMIT BRACKET
NS	B1392143	GROMMET, 26TAL F/TORSIN FLEX (M1, M2, M3, M4, M8, M9)

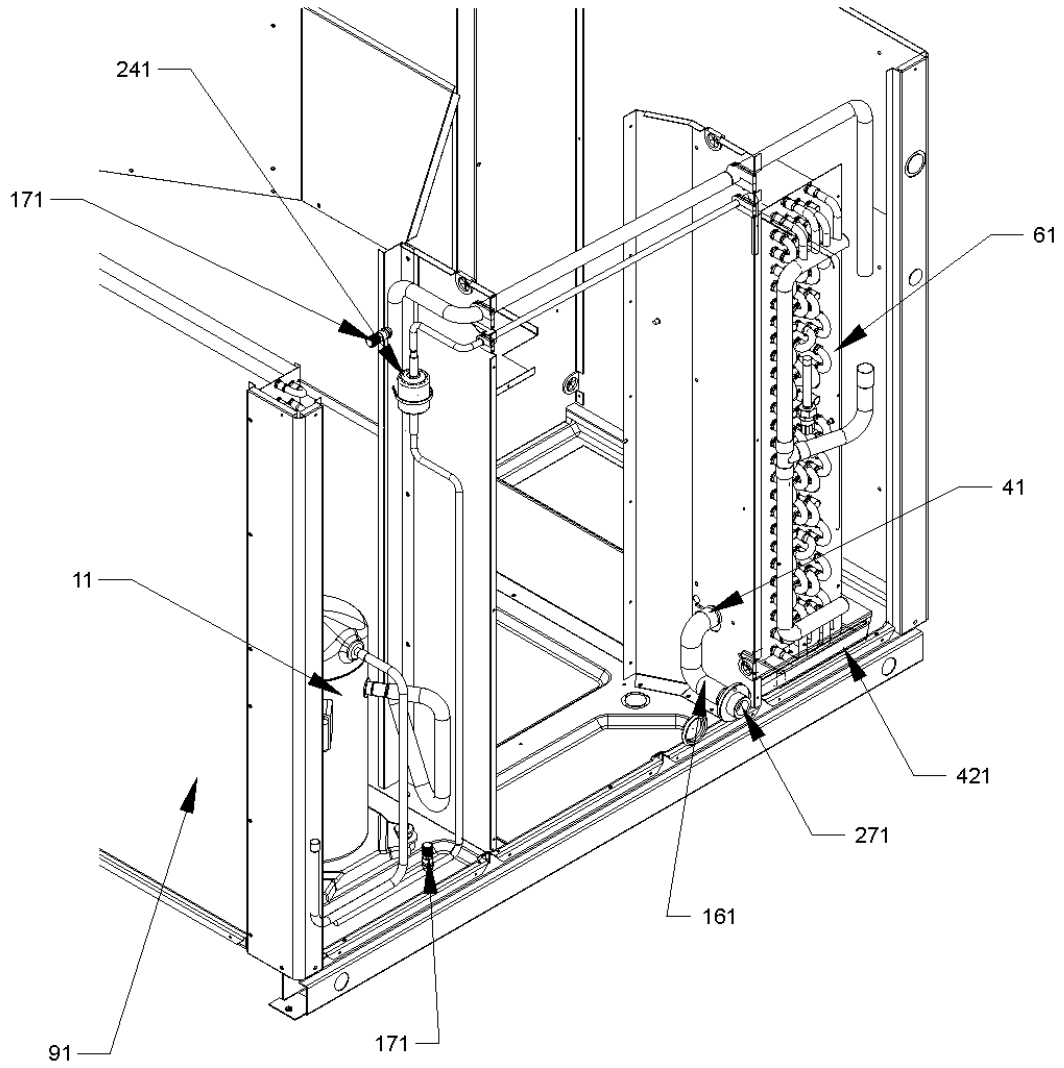
*Image 2:*

12	0121G00289	BASEPAN
22	B821700	CAPACITOR BOOT
32	0121G00148	SINGLE COVER, DOWN DISCHARGE (QTY 2)
42	CAP100000370VAS	CAPACITOR 10/370V
52	20520901	CAPACITOR STRAP

Expanded Model Nomenclature

- |                    |
|--------------------|
| M1 - APG13240451BB |
| M2 - APG13240701BB |
| M3 - APG13300451AC |
| M4 - APG13300701AC |
| M5 - APG13360451AC |
| M6 - APG13360701AC |
| M7 - APG13360901AC |
| M8 - APG13420701AB |
| M9 - APG13420901AB |

# Compressor/Tubing Assembly



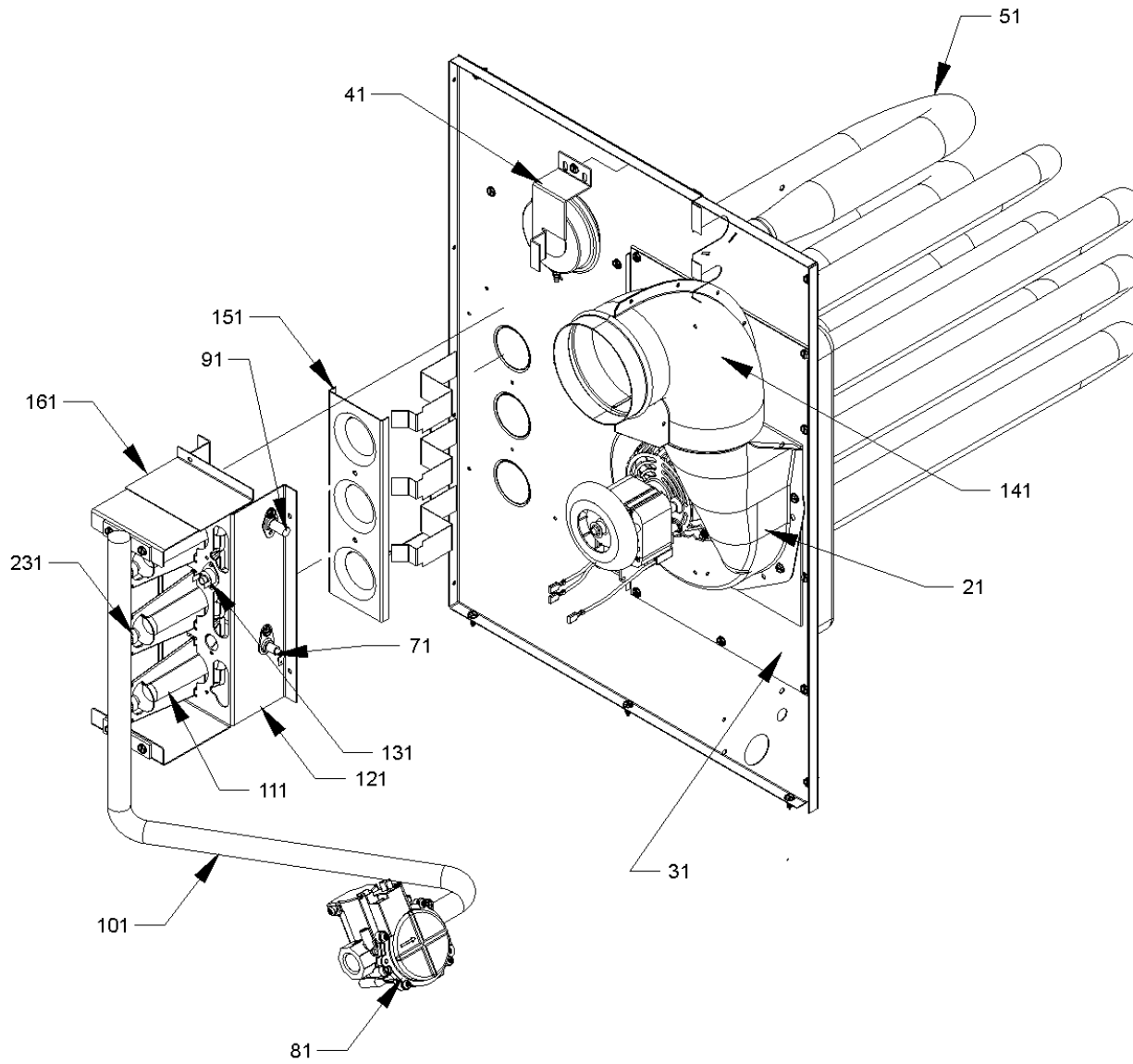
# Compressor/Tubing Assembly

Ref. Part No:	No:	Description:	Ref. Part No:	No:	Description:
<i>Image 1:</i>					
11	CR19K7PFV930	COMPRESSOR 19300, 208/230/60/1 (M1, M2)			
11	CR23K7PFV930	COMPRESSOR 22600, 208/230/60/1 (M3, M4)			
11	CR28K7PFV930	COMPRESSOR 28300, 208/230/60/1 (M5, M6, M7)			
11	ZR36K3PFV930	COMPRESSOR 36900, 208/230/60/1 (M8, M9)			
41	B1810011	HOSE CLAMP 1.25			
61	1262643	TUBING ASSY, EVAP COIL (M5, M6, M7)			
61	1262650	TUBING ASSY, EVAP COIL (M1, M2, M3, M4)			
61	1262651	TUBING ASSY, EVAP COIL (M8, M9)			
91	1262524	TUBING ASSY, COND COIL (M1, M2, M3, M4)			
91	1262528	TUBING ASSY, COND COIL (M5, M6, M7)			
91	4306003A	TUBING ASSY, COND COIL (M8, M9)			
161	20498302	DRAIN TUBE 32" (M1, M2, M3, M4, M5, M6, M7)			
161	20498301	DRAIN TUBE 40" (M8, M9)			
171	B9102097	CAP W/O-RING (QTY 2)			
241	B1219212	SINGLE-FLOW FILTER DRIER, STEEL (M1, M2, M3, M4, M5, M6, M7)			
241	B1219225	SINGLE-FLOW FILTER DRIER, STEEL (M8, M9)			
271	20513001	EVAP DRAIN FITTING			
421	20464901	DRIP PAN, EVAP COIL			
NS	B1373315	ACCESS FITTING (QTY 2)			
NS	B1339530	COMPRESSOR GROMMET (M1, M2, M3, M4, M5, M6, M7)			
NS	B1339533	COMPRESSOR GROMMET (M8, M9)			
NS	4322800	EVAP DRIP SHIELD			
NS	B1314659	FLOWRATOR .059 (M1, M2)			
NS	B1314668	FLOWRATOR .068 (M3, M4)			
NS	B1314871	FLOWRATOR .071 (M5, M6, M7)			
NS	B1314878	FLOWRATOR .078 (M8, M9)			
NS	M0221641	TF SHOULDER SCREW (QTY 4)			

## Expanded Model Nomenclature

- |                    |
|--------------------|
| M1 - APG13240451BB |
| M2 - APG13240701BB |
| M3 - APG13300451AC |
| M4 - APG13300701AC |
| M5 - APG13360451AC |
| M6 - APG13360701AC |
| M7 - APG13360901AC |
| M8 - APG13420701AB |
| M9 - APG13420901AB |

# Heat Exchanger/Manifold/Gas Valve



# Heat Exchanger/Manifold/Gas Valve

**Ref. Part  
No: No:**

**Description:**

**Ref. Part  
No: No:**

**Description:**

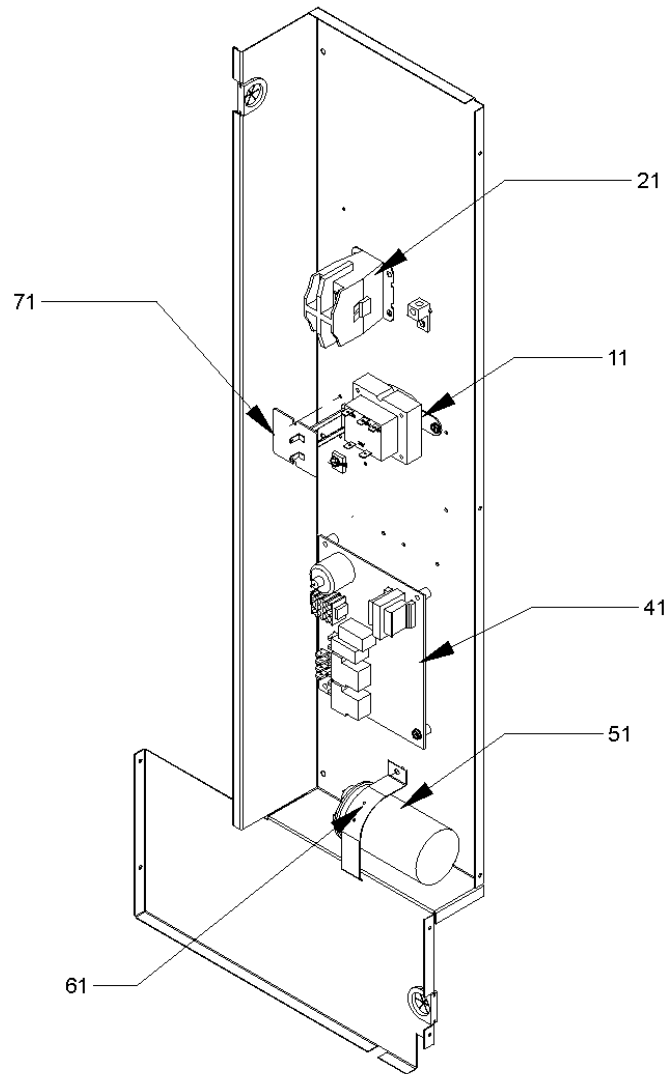
*Image 1:*

21	0131G00000PS	ID BLOWER
31	20463204	ID BLOWER PLATE (M8)
31	20463103	ID BLOWER PLATE LRG 4 BRNR (M7)
31	20463201	ID BLOWER PLATE LRG 4 BRNR (M9)
31	20463101	ID BLOWER PLATE SML 2 BRNR (M1, M3, M5)
31	20463102	ID BLOWER PLATE SML 3 BRNR (M2, M4, M6)
41	11112501S	PRESSURE SWITCH
51	4305022A	HEAT EXCHANGER ASSY (M1, M3, M5)
51	4305023A	HEAT EXCHANGER ASSY (M2, M4, M6)
51	4305025A	HEAT EXCHANGER ASSY (M8)
51	4305017A	HEAT EXCHANGER ASSY 4C (LRG-12) (M9)
51	4305016A	HEAT EXCHANGER ASSY 4C (MED-12) (M7)
71	0130F00014S	IGNITOR
81	B1282628	GAS VALVE (36G)
91	0130F00010	FLAME SENSOR
101	0121M00035P	MANIFOLD - 2 BRNR (M1, M3, M5)
101	0121M00036P	MANIFOLD - 3 BRNR (M8)
101	20493103	MANIFOLD - 3 BRNR (M2, M4, M6)
101	20493104	MANIFOLD - 4 BRNR (M7)
101	20493105	MANIFOLD - 4 BRNR (M9)
111	10735102S	BECKETT BURNER (QTY AR)
121	20190415	BURNER BRACKET 2B (M1, M3, M5)
121	20190411	BURNER BRACKET 3B (M2, M4, M6, M8)
121	20190412	BURNER BRACKET 4B (M7, M9)
131	10123529	MANUAL RESET LIMIT
141	20484401W	FLUE ELBOW LEFT
141	20484402W	FLUE ELBOW RIGHT
151	11072201	ORIFICE SHIELD (M1, M3, M5)
151	11072202	ORIFICE SHIELD (M2, M4, M6, M8)
151	11072203	ORIFICE SHIELD (M7, M9)
161	11190202	HEAT DEFLECTOR
231	10716003	ORIFICE (QTY AR)
NS	20463001	ID BLOWER PLATE GASKET LRG (M8, M9)
NS	20462801	ID BLOWER PLATE GASKET SML (M1, M2, M3, M4, M5, M6, M7)
NS	A3468601	PRESSURE SWITCH HOSE

Expanded Model Nomenclature

M1 - APG13240451BB
M2 - APG13240701BB
M3 - APG13300451AC
M4 - APG13300701AC
M5 - APG13360451AC
M6 - APG13360701AC
M7 - APG13360901AC
M8 - APG13420701AB
M9 - APG13420901AB

# Control Panel



# Control Panel

Ref. Part No:	Ref. Part No:	Description:	Description:
---------------	---------------	--------------	--------------

Image 1:

11	B1141643	TRANSFORMER 208/230, 24V
21	CONT2P025024VS	CONTACTOR 25 AMP, 2P, 24V (M1, M2, M3, M4, M5, M6, M7)
21	CONT1P030024VS	CONTACTOR 30 AMP, 1P, 24V (M8, M9)
41	PCBAG123S	IGNITION BOARD, DSI INTEGRATED
51	CAP050300370RSS	CAPACITOR 5/30/370V (M1, M2)
51	CAP050350440RSS	CAPACITOR 5/35/440V (M5, M6, M7)
51	CAP050400370RSS	CAPACITOR 5/40/370V (M3, M4)
51	CAP050500370RTS	CAPACITOR 5/50/370V (M8, M9)
61	20520901	CAPACITOR STRAP
71	10728342	LIMIT SWITCH (M1, M2, M3, M4)
71	10728343	LIMIT SWITCH (M5, M6, M7)
71	10728344	LIMIT SWITCH (M8, M9)
NS	4368400	12-PIN MALE PLUG ASSY (M1, M2, M3, M4, M5, M6, M7)
NS	4368403	FEMALE PLUG ASSY (M8, M9)

Expanded Model Nomenclature

M1 - APG13240451BB
M2 - APG13240701BB
M3 - APG13300451AC
M4 - APG13300701AC
M5 - APG13360451AC
M6 - APG13360701AC
M7 - APG13360901AC
M8 - APG13420701AB
M9 - APG13420901AB