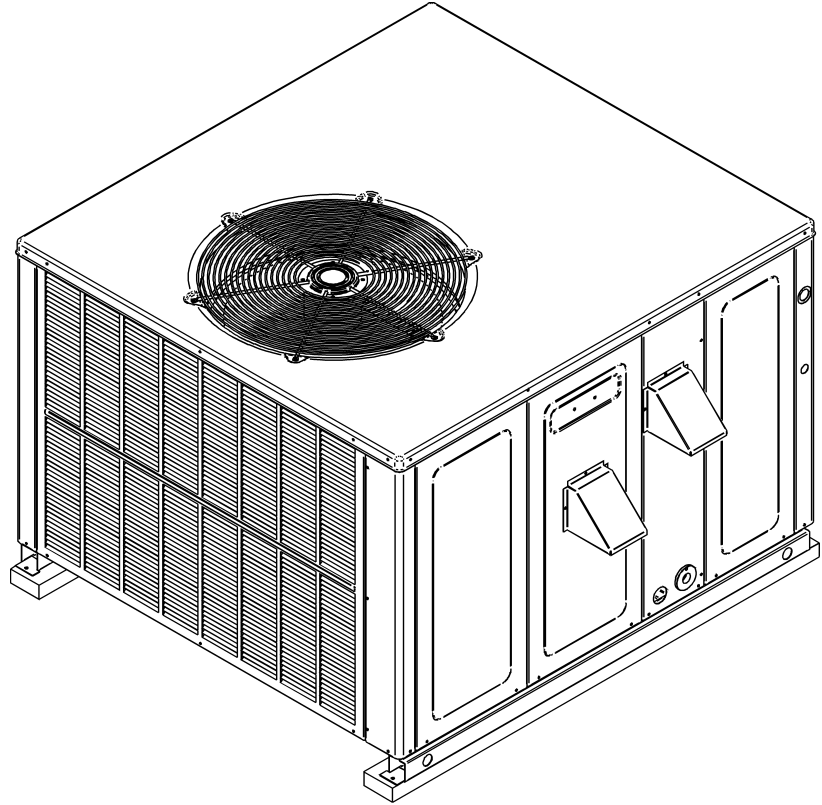


APG13 Package Gas Units

APG13240451BA
APG13240451CB
APG13240701BA
APG13240701CB
APG13300451AB
APG13300451BB
APG13300701AB
APG13300701BB
APG13360451AB
APG13360701AB
APG13360901AB
APG13480701AB
APG13480701AC
APG13480901AB
APG13480901AC
APG13481151AB
APG13481151AC
APG13600901BA
APG13600901BB
APG13601151BA
APG13601151BB
APG13601401BA
APG13601401BB



Amana® is a registered trademark of Maytag Corporation or its related companies and is used under license. All rights reserved.

This manual is to be used by qualified technicians only.

This manual replaces RP-412D.

© 2006-2008, 2016 Goodman Company, L.P. ♦ 5151 San Felipe St., Suite 500 ♦ Houston, TX 77056

Important Information

Index

Functional Parts List	3
Illustration and Parts	4 - 15

Views shown are for parts illustrations only, not servicing procedures

Text Codes:

AR - As Required

NA - Not Available

NS - Not Shown

00000000 - See Note

QTY - Quantity Example (QTY 3) (If Quantity not shown, Quantity = 1)

M - Model Example (M1) (If M Code not shown, then part is used on all Models)

Expanded Model Nomenclature:

Example M1 - Model#1 M2 - Model#2 M3 - Model#3

Daikin Company, L.P. is not responsible for personal injury or property damage resulting from improper service. Review all service information before beginning repairs.

Warranty service must be performed by an authorized technician, using authorized factory parts. If service is required after the warranty expires, Daikin Company, L.P. also recommends contacting an authorized technician and using authorized factory parts.

Daikin Company, L.P. reserves the right to discontinue, or change at any time, specifications or designs without notice or without incurring obligations.

For assistance within the U.S.A. contact:

Consumer Affairs Department

Goodman Company, L.P.

7401 Security Way

Houston, Texas 77040

877-254-4729-Telephone

713-863-2382-Facsimile

For assistance outside the U.S.A. contact:

International Division

Goodman Company, L.P.

7401 Security Way

Houston, Texas 77040

713-861-2500-Telephone

713-863-2382-Facsimile

Functional Parts

Part No: **Description:**

0130M00025S	24V RELAY (M12, M13, M14, M15, M16, M17, M18, M19, M20, M21, M22, M23)
20269903	AUXILIARY LIMIT, AUTO RESET
0231K00040	BLOWER MOTOR 1 HP PROGRAMMED (M18, M19, M20, M21, M22, M23)
11091203	BLOWER MOTOR 1/3 HP, 3 SP, 6 PL (M9, M10, M11)
11091202	BLOWER MOTOR 1/3 HP, 3 SP, 6 PL (M5, M6, M7, M8)
11091207	BLOWER MOTOR 1/4 HP, 3 SP, 8 PL (M1, M2, M3, M4)
0231K00041	BLOWER MOTOR 3/4 HP PROGRAMMED (M12, M13, M14, M15, M16, M17)
CAP050600370RTS	CAPACITOR 5/55/370V [CONTROL BOX] (M6, M8)
CAP100000370LA	CAPACITOR 10/370V (M1, M2, M3, M4, M5, M6, M7, M8, M9, M10, M11)
CAP050300370RSS	CAPACITOR 5/30/370V [CONTROL BOX] (M1, M3)
CAP050350440RSS	CAPACITOR 5/35/440V [CONTROL BOX] (M9, M10, M11)
CAP050400370RSS	CAPACITOR 5/40/370V [CONTROL BOX] (M5, M7)
CAP050450370RSS	CAPACITOR 5/45/370V [CONTROL BOX] (M2, M4)
CAP050600370RTS	CAPACITOR 5/60/370V [CONTROL BOX] (M12, M13, M14, M15, M16, M17)
CAP050800370RTS	CAPACITOR 5/80/370V [CONTROL BOX] (M18, M19, M20, M21, M22, M23)
CR19K7PFV970	COMPRESSOR 19300, 208/230/60/1 (M1, M3)
CR23K7PFV930	COMPRESSOR 22600, 208/230/60/1 (M5, M7)
CR28K7PFV970	COMPRESSOR 28300, 208/230/60/1 (M9, M10, M11)
ZR40K3PFV930	COMPRESSOR 40600, 208/230/60/1 (M12, M13, M14, M15, M16, M17)
ZR52K3PFV930	COMPRESSOR 52000, 208/230/60/1 (M18, M19, M20, M21, M22, M23)
2J27S236A1AS	COMPRESSOR-PANASONIC (M2)
2J29S236B1AS	COMPRESSOR-PANASONIC (M4)
2J35S236C1AS	COMPRESSOR-PANASONIC (M6, M8)
0131M00008PS	COND MOTOR 1/3 HP, 1 SP, 6 PL (M12, M14, M16, M18, M20, M22)
0131M00007PS	COND MOTOR 1/4 HP, 1 SP, 8 PL (M5, M6, M7, M8, M9, M10, M11, M13, M15, M17, M19, M21, M23)
0131M00014PS	COND MOTOR 1/4 HP, 1 SP, 8 PL (M2, M4)
0131M00009PS	COND MOTOR 1/6 HP, 1 SP, 8 PL (M1, M3)
CONT1P030024VS	CONTACTOR 30 AMP, 1P, 24V (M12, M13, M14, M15, M16, M17, M18, M19, M20, M21, M22, M23)
CONT2P030024VS	CONTACTOR 30 AMP, 2P, 24V (M1, M2, M3, M4, M5, M6, M7, M8, M9, M10, M11)
0130F00010	FLAME SENSOR
B1282628	GAS VALVE (36G)
PCBAG123	IGNITION BOARD, DSI INTEGRATED
20261709	IGNITOR
10728342	LIMIT SWITCH (M1, M2, M3, M4, M5, M6, M7, M8)
10728343	LIMIT SWITCH (M9, M10, M11, M22, M23)
10728344	LIMIT SWITCH (M12, M13, M14, M15, M16, M17, M18, M19, M20, M21)
10123529	MANUAL RESET LIMIT-GREEN
10716003	ORIFICE (QTY AR)
11112501	PRESSURE SWITCH
B1141643	TRANSFORMER 208/230, 24V

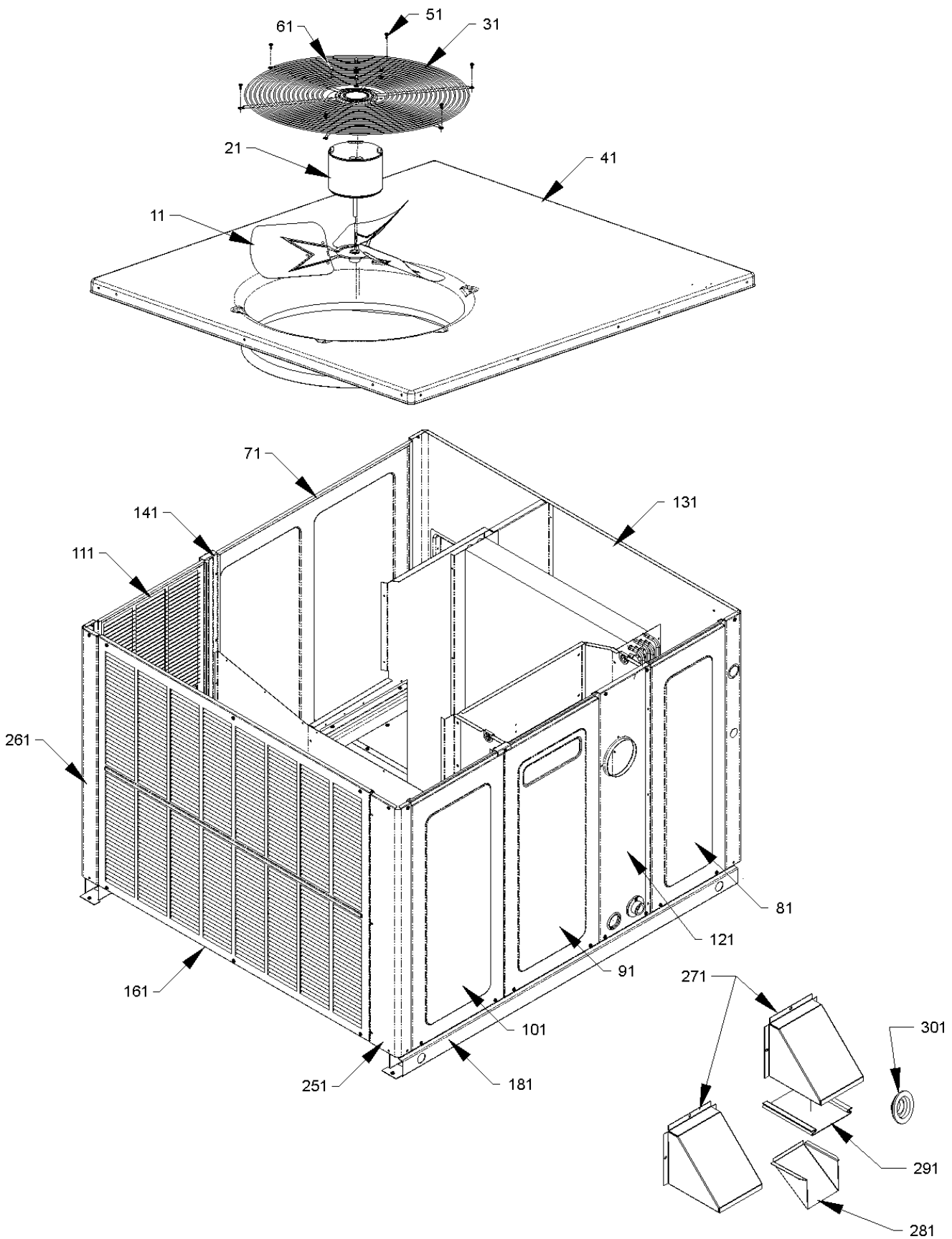
Expanded Model Nomenclature

M1 - APG13240451BA
M2 - APG13240451CB
M3 - APG13240701BA
M4 - APG13240701CB
M5 - APG13300451AB
M6 - APG13300451BB
M7 - APG13300701AB
M8 - APG13300701BB
M9 - APG13360451AB
M10 - APG13360701AB
M11 - APG13360901AB
M12 - APG13480701AB
M13 - APG13480701AC
M14 - APG13480901AB
M15 - APG13480901AC
M16 - APG13481151AB
M17 - APG13481151AC
M18 - APG13600901BA
M19 - APG13600901BB
M20 - APG13601151BA
M21 - APG13601151BB
M22 - APG13601401BA
M23 - APG13601401BB

SPECIAL PARTS

B10259253	AMANA LABEL
-----------	-------------

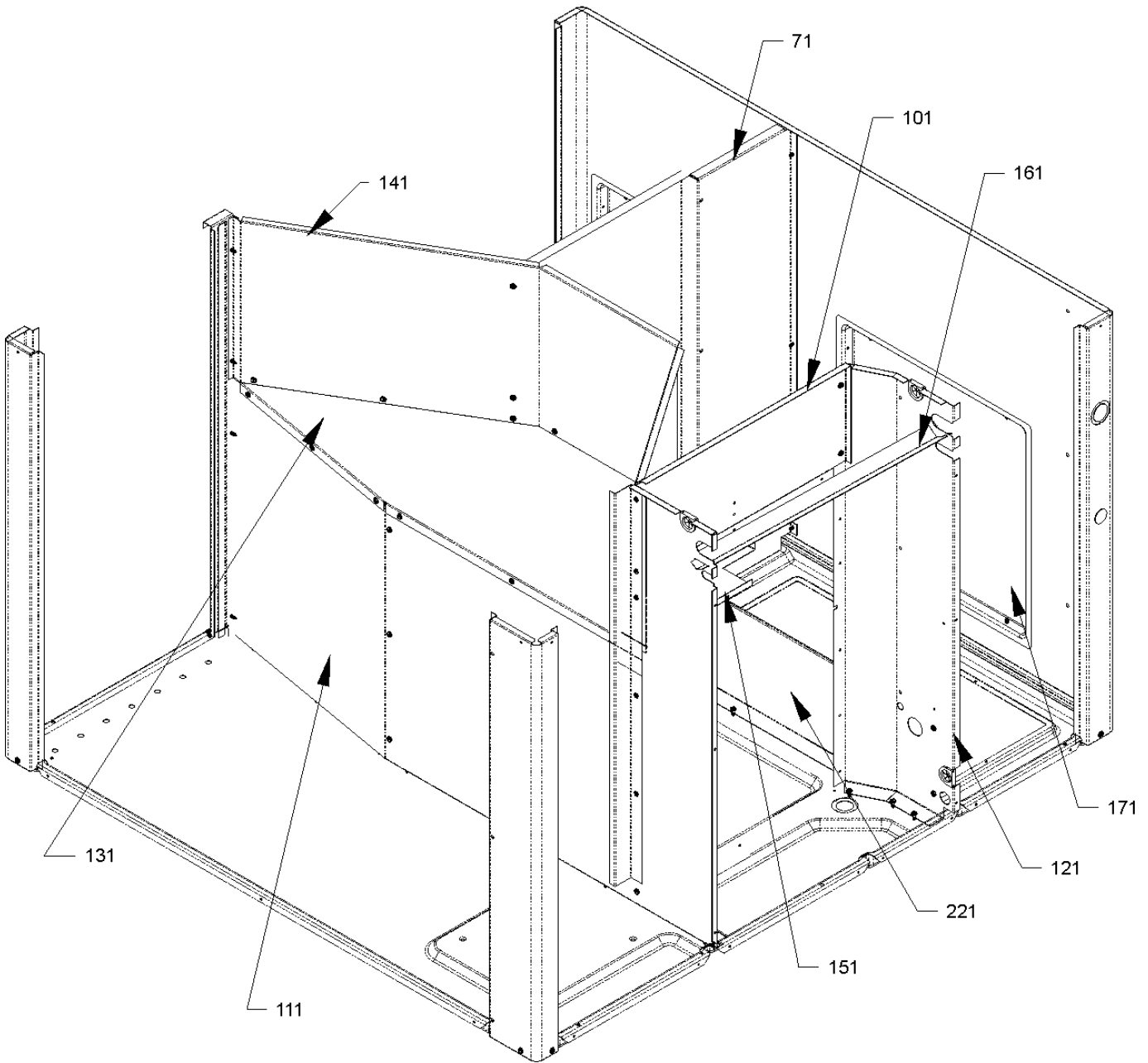
Top Panel/Fan/Cabinet



Top Panel/Fan/Cabinet

Ref. Part No: No:	Description:	Ref. Part No: No:	Description:
Image 1:		Image 1:	
11	B1086775S FAN BLADE (M5, M7)	291	20472601 FLUE HOOD SCREEN
11	0150M00002P FAN BLADE 22" (M2, M4, M6, M8)	301	B1910012 GAS LINE GROMMET
11	B1086773S FAN BLADE 22" (M1, M3, M9, M10, M11)	NS	B10259253 AMANA LABEL
11	0150M00011S FAN BLADE SWEEP-WING (M12, M13, M14, M15, M16, M17, M18, M19, M20, M21, M22, M23)	NS	0270G00070 FLUE HOOD ASSY
21	0131M00008PS COND MOTOR 1/3 HP, 1 SP, 6 PL (M12, M14, M16, M18, M20, M22)	NS	17788000083F PVC CONDUIT 8.25"
21	0131M00007PS COND MOTOR 1/4 HP, 1 SP, 8 PL (M5, M6, M7, M8, M9, M10, M11, M13, M15, M17, M19, M21, M23)	Expanded Model Nomenclature	
21	0131M00014PS COND MOTOR 1/4 HP, 1 SP, 8 PL (M2, M4)	M1 -	APG13240451BA
21	0131M00009PS COND MOTOR 1/6 HP, 1 SP, 8 PL (M1, M3)	M2 -	APG13240451CB
31	0152G00002 FAN GRILLE (M12, M13, M14, M15, M16, M17, M18, M19, M20, M21, M22, M23)	M3 -	APG13240701BA
31	B1376923 FAN GRILLE GUARD, LRG (M1, M2, M3, M4, M5, M6, M7, M8, M9, M10, M11)	M4 -	APG13240701CB
41	20466001PDG TOP PANEL	M5 -	APG13300451AB
51	0163M00003P SCREW #10 X 1/2, A, SLOT, SR, BLACK (QTY 6)	M6 -	APG13300451BB
61	0163M00006P ACORN NUT 5/16 HEX BLACK (QTY 4)	M7 -	APG13300701AB
71	20464801PDG BLOWER DOOR 32" (M1, M2, M3, M4, M5, M6, M7, M8, M9, M10, M11)	M8 -	APG13300701BB
71	20464806PDG BLOWER DOOR 40" (M12, M13, M14, M15, M16, M17, M18, M19, M20, M21, M22, M23)	M9 -	APG13360451AB
81	20464802PDG EVAP/CONTROL DOOR 32" (M1, M2, M3, M4, M5, M6, M7, M8, M9, M10, M11)	M10 -	APG13360701AB
81	20464807PDG EVAP/CONTROL DOOR 40" (M12, M13, M14, M15, M16, M17, M18, M19, M20, M21, M22, M23)	M11 -	APG13360901AB
91	0121G00179DG HEAT EXCHANGER DOOR 32" (M1, M2, M3, M4, M5, M6, M7, M8, M9, M10, M11)	M12 -	APG13480701AB
91	0121G00181DG HEAT EXCHANGER DOOR 40" (M12, M13, M14, M15, M16, M17, M18, M19, M20, M21, M22, M23)	M13 -	APG13480701AC
101	20464804PDG COMPRESSOR DOOR 32" (M1, M2, M3, M4, M5, M6, M7, M8, M9, M10, M11)	M14 -	APG13480901AB
101	20464809PDG COMPRESSOR DOOR 40" (M12, M13, M14, M15, M16, M17, M18, M19, M20, M21, M22, M23)	M15 -	APG13480901AC
111	20467701PLG LOUVERED PANEL, COND SIDE 32" (M1, M2, M3, M4, M5, M6, M7, M8, M9, M10, M11)	M16 -	APG13481151AB
111	20467702PLG LOUVERED PANEL, COND SIDE 40" (M12, M13, M14, M15, M16, M17, M18, M19, M20, M21, M22, M23)	M17 -	APG13481151AC
121	20466101PDG UTILITY PANEL 32" (M1, M2, M3, M4, M5, M6, M7, M8, M9, M10, M11)	M18 -	APG13600901BA
121	20466102PDG UTILITY PANEL 40" (M12, M13, M14, M15, M16, M17, M18, M19, M20, M21, M22, M23)	M19 -	APG13600901BB
131	0121G00239DG DUCT PANEL 32.5" (M1, M2, M3, M4, M5, M6, M7, M8, M9, M10, M11)	M20 -	APG13601151BA
131	0121G00240DG DUCT PANEL 40" (M12, M13, M14, M15, M16, M17, M18, M19, M20, M21, M22, M23)	M21 -	APG13601151BB
141	0121G00208 SUPPORT POST 32" (M1, M2, M3, M4, M5, M6, M7, M8, M9, M10, M11)	M22 -	APG13601401BA
141	0121G00209 SUPPORT POST 40" (M12, M13, M14, M15, M16, M17, M18, M19, M20, M21, M22, M23)	M23 -	APG13601401BB
161	20464401PLG LOUVERED PANEL, COND SIDE 32" (M1, M2, M3, M4, M5, M6, M7, M8, M9, M10, M11)		
161	20464402PLG LOUVERED PANEL, COND SIDE 40" (M12, M13, M14, M15, M16, M17, M18, M19, M20, M21, M22, M23)		
181	0121G00290 BASE PAN RAIL (QTY 2)		
251	20464201PDG CORNER POST-COMP END 32" (M1, M2, M3, M4, M5, M6, M7, M8, M9, M10, M11)		
251	20464202PDG CORNER POST-COMP END 40" (M12, M13, M14, M15, M16, M17, M18, M19, M20, M21, M22, M23)		
261	20464301PDG CORNER POST-HAIRPIN END 32" (M1, M2, M3, M4, M5, M6, M7, M8, M9, M10, M11)		
261	20464302PDG CORNER POST-HAIRPIN END 40" (M12, M13, M14, M15, M16, M17, M18, M19, M20, M21, M22, M23)		
271	20465601PDG FLUE HOOD (QTY 2)		
281	0121G00190 FLUE HOOD-LOWER		

Partition Panels



Partition Panels

Ref. Part No:	No:	Description:	Ref. Part No:	Description:
<i>Image 1:</i>			Expanded Model Nomenclature	
71	20465305	BLOWER DIVIDER (M1, M2, M3, M4, M5, M6, M7, M8)	M1 -	APG13240451BA
71	20465304	BLOWER DIVIDER 32" 10 X 9 (M9, M10, M11)	M2 -	APG13240451CB
71	0121G00177	BLOWER DIVIDER 38" (M12, M13, M14, M15, M16, M17, M18, M19, M20, M21, M22, M23)	M3 -	APG13240701BA
101	20465201	FILLER PANEL, HEAT EXCHANGER 32" (M1, M2, M3, M4, M5, M6, M7, M8, M9, M10, M11)	M4 -	APG13240701CB
101	20465202	FILLER PANEL, HEAT EXCHANGER 40" (M12, M13, M14, M15, M16, M17, M18, M19, M20, M21, M22, M23)	M5 -	APG13300451AB
111	0121G00198	PARTITION PANEL 32.5" (M1, M2, M3, M4, M5, M6, M7, M8, M9, M10, M11)	M6 -	APG13300451BB
111	0121G00199	PARTITION PANEL 40" (M12, M13, M14, M15, M16, M17, M18, M19, M20, M21, M22, M23)	M7 -	APG13300701AB
121	20465501	EVAP/HEAT EXCHANGER DIVIDER 32" (M1, M2, M3, M4, M5, M6, M7, M8, M9, M10, M11)	M8 -	APG13300701BB
121	20465502	EVAP/HEAT EXCHANGER DIVIDER 38" (M12, M13, M14, M15, M16, M17, M18, M19, M20, M21, M22, M23)	M9 -	APG13360451AB
131	20465701	FAN PARTITION SHELF	M10 -	APG13360701AB
141	20465801	FAN SURROUND 32" (M1, M2, M3, M4, M5, M6, M7, M8, M9, M10, M11)	M11 -	APG13360901AB
141	20465802	FAN SURROUND 40" (M12, M13, M14, M15, M16, M17, M18, M19, M20, M21, M22, M23)	M12 -	APG13480701AB
151	20472501	SHIELD, HEAT EXCHANGER TUBES	M13 -	APG13480701AC
161	20496801	DRAIN CHANNEL, SUCTION TUBE	M14 -	APG13480901AB
171	20464501PDG	BACK DUCT COVER 27" & 32" (M1, M2, M3, M4, M5, M6, M7, M8, M9, M10, M11) Effective July 2008 (serial codes 0807), single phase units will no longer be factory shipped with horizontal duct covers. For downshot applications, contact your local Goodman distributor.	M15 -	APG13480901AC
171	20464502PDG	BACK DUCT COVER 40" (M12, M13, M14, M15, M16, M17, M18, M19, M20, M21, M22, M23) Effective July 2008 (serial codes 0807), single phase units will no longer be factory shipped with horizontal duct covers. For downshot applications, contact your local Goodman distributor.	M16 -	APG13481151AB
221	20463802	EVAP/BASEPAN BLOCK 32" (M1, M2, M3, M4, M5, M6, M7, M8, M9, M10, M11)	M17 -	APG13481151AC
221	20463801	EVAP/BASEPAN BLOCK 40" (M12, M13, M14, M15, M16, M17, M18, M19, M20, M21, M22, M23)	M18 -	APG13600901BA
			M19 -	APG13600901BB
			M20 -	APG13601151BA
			M21 -	APG13601151BB
			M22 -	APG13601401BA
			M23 -	APG13601401BB

Basepan/Blower Assembly

Image 1

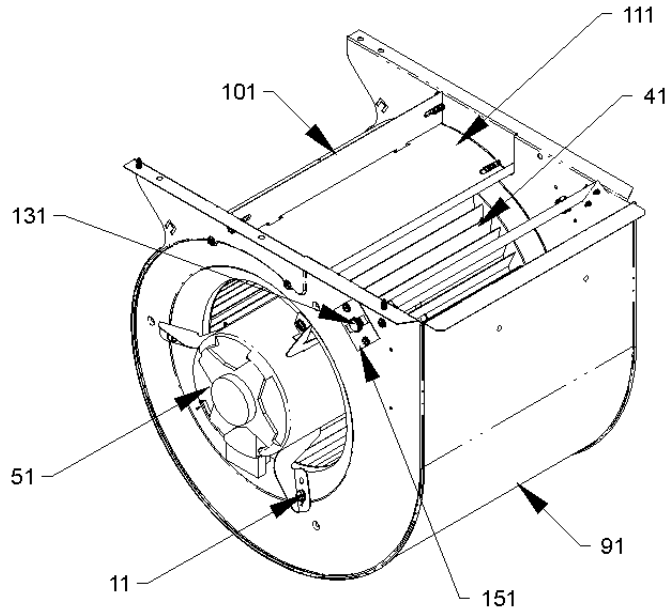
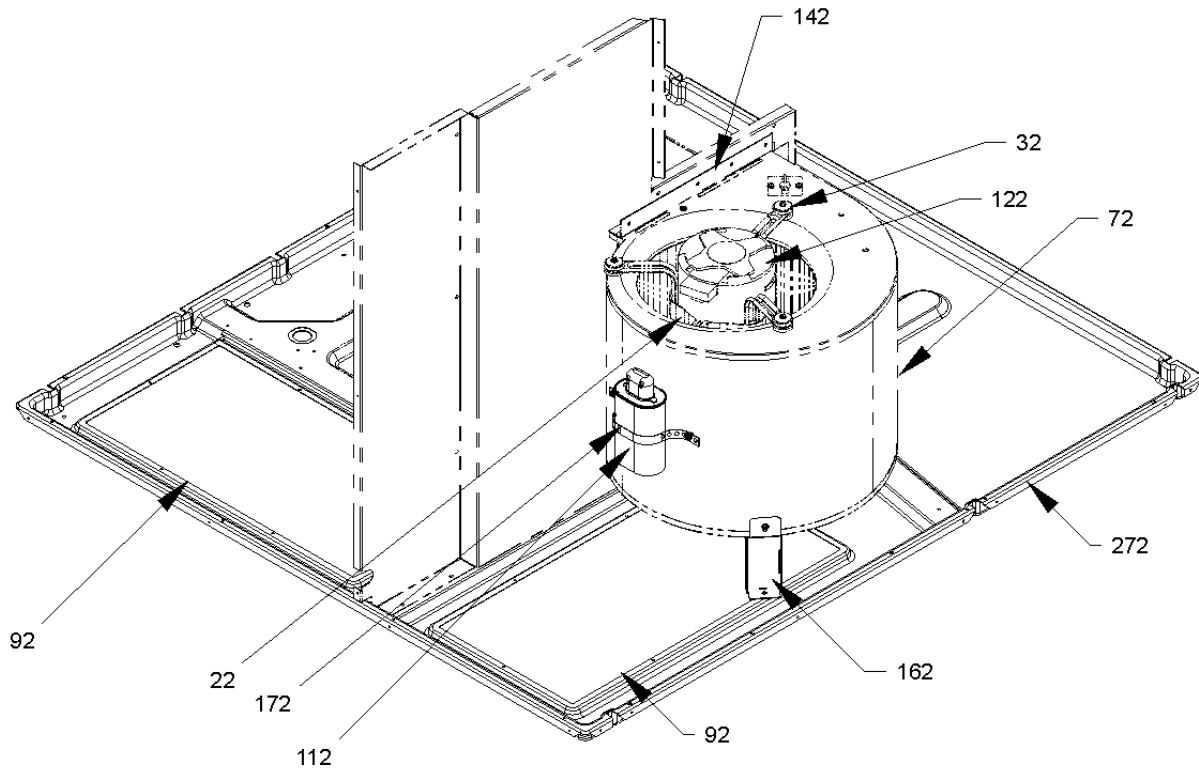


Image 2



Basepan/Blower Assembly

Ref. Part No: No:	Description:	Ref. Part No: No:	Description:
Image 1:		Expanded Model Nomenclature	
11	M0250558 TC SCREW (M1, M2, M3, M4, M5, M6, M7, M8, M9, M10, M11)	M1 -	APG13240451BA
11	M0250565 TC SCREW 1.25" (M12, M13, M14, M15, M16, M17, M18, M19, M20, M21, M22, M23)	M2 -	APG13240451CB
41	D6723303 BLOWER WHEEL (M9, M10, M11)	M3 -	APG13240701BA
41	B1368016 BLOWER WHEEL 10 X 8 (M5, M6, M7, M8)	M4 -	APG13240701CB
41	B1368058 BLOWER WHEEL 10 X 8 (M1, M2, M3, M4)	M5 -	APG13300451AB
41	B1368000S BLOWER WHEEL 11 X 10 (M12, M13, M14, M15, M16, M17, M18, M19, M20, M21, M22, M23)	M6 -	APG13300451BB
51	11091202 BLOWER MOTOR 1/3 HP, 3 SP, 6 PL (M5, M6, M7, M8)	M7 -	APG13300701AB
51	11091203 BLOWER MOTOR 1/3 HP, 3 SP, 6 PL (M9, M10, M11)	M8 -	APG13300701BB
51	11091207 BLOWER MOTOR 1/4 HP, 3 SP, 8 PL (M1, M2, M3, M4)	M9 -	APG13360451AB
91	0271F00001P BLOWER HOUSING ASSY 10 X 8 (M1, M2, M3, M4)	M10 -	APG13360701AB
91	0271G00025 BLOWER HOUSING ASSY 10 X 8 (M5, M6, M7, M8)	M11 -	APG13360901AB
91	0271G00024 BLOWER HOUSING ASSY 10 X 9 (M9, M10, M11)	M12 -	APG13480701AB
101	764742 BLOWER BLOCK-OFF (M9, M10, M11)	M13 -	APG13480701AC
101	764740F BLOWER CUT-OFF 10 X 8 (M1, M2, M3, M4, M5, M6, M7, M8)	M14 -	APG13480901AB
111	1864700F BELT DRIVE BLOWER CUT-OFF (M12, M13, M14, M15, M16, M17, M18, M19, M20, M21, M22, M23)	M15 -	APG13480901AC
131	20269903 AUXILIARY LIMIT, AUTO RESET	M16 -	APG13481151AB
151	2509503F AUXILIARY LIMIT BRACKET	M17 -	APG13481151AC
NS	B1392143 GROMMET, 26TAL F/TORSIN FLEX (M1, M2, M3, M4, M5, M6, M7, M8)	M18 -	APG13600901BA
		M19 -	APG13600901BB
		M20 -	APG13601151BA
		M21 -	APG13601151BB
		M22 -	APG13601401BA
		M23 -	APG13601401BB
Image 2:			
22	0121M00038 MOTOR MOUNT BAND (M12, M13, M14, M15, M16, M17, M18, M19, M20, M21, M22, M23)		
32	B1376857 MOTOR MOUNT ARM (M12, M13, M14, M15, M16, M17, M18, M19, M20, M21, M22, M23)		
72	2539309S BLOWER HOUSING ASSY 11 X 10 (M12, M13, M14, M15, M16, M17, M18, M19, M20, M21, M22, M23)		
92	0121G00148 SINGLE COVER, DOWN DISCHARGE (QTY 2)		
112	CAP100000370LA CAPACITOR 10/370V (M1, M2, M3, M4, M5, M6, M7, M8, M9, M10, M11)		
122	0231K00040 BLOWER MOTOR 1 HP PROGRAMMED (M18, M19, M20, M21, M22, M23)		
122	0231K00041 BLOWER MOTOR 3/4 HP PROGRAMMED (M12, M13, M14, M15, M16, M17)		
142	20463701 11 X 10 BLOWER MOUNTING (M12, M13, M14, M15, M16, M17, M18, M19, M20, M21, M22, M23)		
162	4322801 11 X 10 BLOWER SUPPORT LRG (M12, M13, M14, M15, M16, M17, M18, M19, M20, M21, M22, M23)		
172	20520901 CAPACITOR STRAP		
272	0121G00289 BASE PAN		
NS	B821700 CAPACITOR BOOT (M1, M2, M3, M4, M5, M6, M7, M8, M9, M10, M11)		
NS	B1393800 LOCKNUT, NYLON, INSERT 1/4, 20 (M12, M13, M14, M15, M16, M17, M18, M19, M20, M21, M22, M23)		

Compressor/Tubing Assembly

Image 1

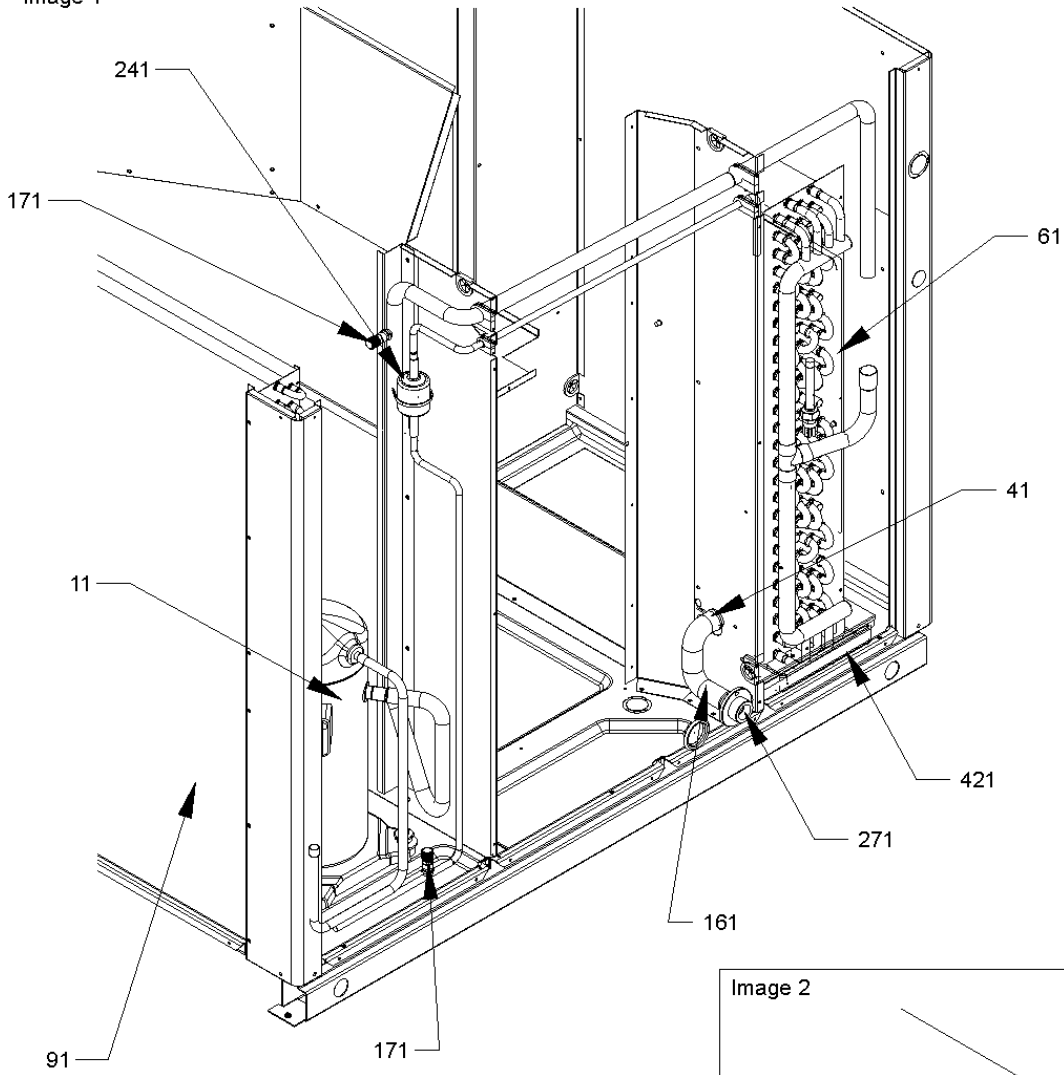
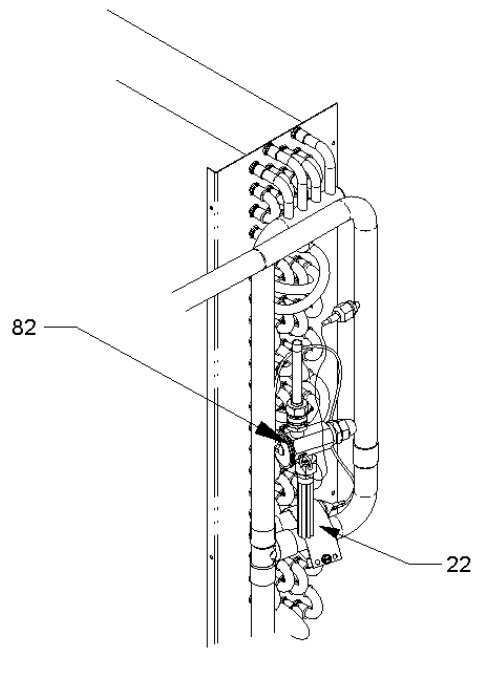


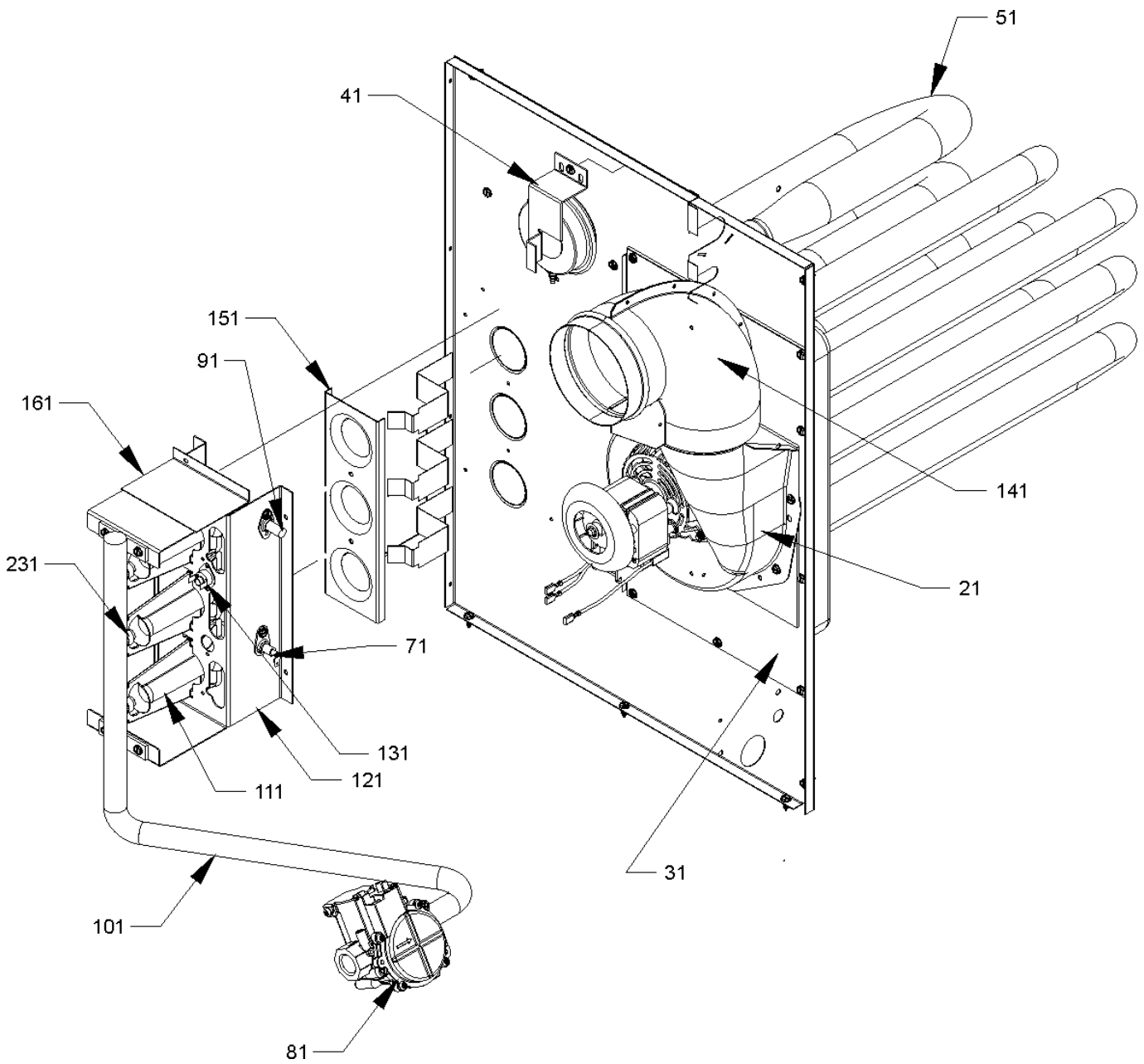
Image 2



Compressor/Tubing Assembly

Ref. Part No:	No:	Description:	Ref. Part No:	No:	Description:
Image 1:			Expanded Model Nomenclature		
11	CR19K7PFV970	COMPRESSOR 19300, 208/230/60/1 (M1, M3)	M1	-	APG13240451BA
11	CR23K7PFV930	COMPRESSOR 22600, 208/230/60/1 (M5, M7)	M2	-	APG13240451CB
11	CR28K7PFV970	COMPRESSOR 28300, 208/230/60/1 (M9, M10, M11)	M3	-	APG13240701BA
11	ZR40K3PFV930	COMPRESSOR 40600, 208/230/60/1 (M12, M13, M14, M15, M16, M17)	M4	-	APG13240701CB
11	ZR52K3PFV930	COMPRESSOR 52000, 208/230/60/1 (M18, M19, M20, M21, M22, M23)	M5	-	APG13300451AB
11	2J27S236A1AS	COMPRESSOR-PANASONIC (M2)	M6	-	APG13300451BB
11	2J29S236B1AS	COMPRESSOR-PANASONIC (M4)	M7	-	APG13300701AB
11	2J35S236C1AS	COMPRESSOR-PANASONIC (M6, M8)	M8	-	APG13300701BB
41	B1810011	HOSE CLAMP 1.25 (QTY 2)	M9	-	APG13360451AB
61	0202G00130S	TUBING ASSY, EVAP COIL (M4)	M10	-	APG13360701AB
61	1262643	TUBING ASSY, EVAP COIL (M9, M10, M11)	M11	-	APG13360901AB
61	1262650	TUBING ASSY, EVAP COIL (M2)	M12	-	APG13480701AB
61	1262650	TUBING ASSY, EVAP COIL (M1, M3, M5, M6, M7, M8)	M13	-	APG13480701AC
61	4303017S	TUBING ASSY, EVAP COIL (M12, M13, M14, M15, M16, M17)	M14	-	APG13480901AB
61	4303018S	TUBING ASSY, EVAP COIL (M18, M19, M20, M21, M22, M23)	M15	-	APG13480901AC
91	0201G00072S	TUBING ASSY, COND COIL (M18, M19, M20, M21, M22, M23)	M16	-	APG13481151AB
91	1262524	TUBING ASSY, COND COIL (M1, M2, M3, M4, M5, M6, M7, M8)	M17	-	APG13481151AC
91	1262528	TUBING ASSY, COND COIL (M9, M10, M11)	M18	-	APG13600901BA
91	1262529	TUBING ASSY, COND COIL (M12, M13, M14, M15, M16, M17)	M19	-	APG13600901BB
161	20498302	DRAIN TUBE 32" (M1, M2, M3, M4, M5, M6, M7, M8, M9, M10, M11)	M20	-	APG13601151BA
161	20498301	DRAIN TUBE 40" (M12, M13, M14, M15, M16, M17, M18, M19, M20, M21, M22, M23)	M21	-	APG13601151BB
171	B9102097	CAP W/O-RING (QTY 2)	M22	-	APG13601401BA
241	B1219212	SINGLE-FLOW FILTER DRIER, STEEL (M1, M3, M5, M7, M9, M10, M11)	M23	-	APG13601401BB
241	B1219225	SINGLE-FLOW FILTER DRIER, STEEL (M12, M13, M14, M15, M16, M17, M18, M19, M20, M21, M22, M23)			
271	20513001	EVAP DRAIN FITTING			
421	20464901	DRIP PAN, EVAP COIL			
NS	B1373305	ACCESS FITTING (M18, M19, M20, M21, M22, M23)			
NS	B1373315	ACCESS FITTING (QTY 2)			
NS	B1339530	COMPRESSOR GROMMET (M1, M3, M4, M5, M6, M7, M8, M9, M10, M11)			
NS	B1339533	COMPRESSOR GROMMET (M12, M13, M14, M15, M16, M17, M18, M19, M20, M21, M22, M23)			
NS	0164M00000P	COMPRESSOR GROMMET-PANASONIC (M2)			
NS	4322800	EVAP DRIP SHIELD			
NS	M0221641	TF SHOULDER SCREW (QTY 4)			
Image 2:					
22	B1314459	FLOWRATOR .059 (M2)			
22	B1314659	FLOWRATOR .059 (M1, M3)			
22	B1314461	FLOWRATOR .061 (M4)			
22	B1314668	FLOWRATOR .068 (M5, M6, M7, M8)			
22	B1314871	FLOWRATOR .071 (M9, M10, M11)			
22	B1314880	FLOWRATOR .080 (M12, M13, M14, M15, M16, M17)			
22	B1314800	FLOWRATOR [EVAP] (M18, M19, M20, M21, M22, M23)			
82	B3232219	EXPANSION VALVE (M18, M19, M20, M21, M22, M23)			

Heat Exchanger/Manifold/Gas Valve



Heat Exchanger/Manifold/Gas Valve

**Ref. Part
No: No:**

Description:

**Ref. Part
No: No:**

Description:

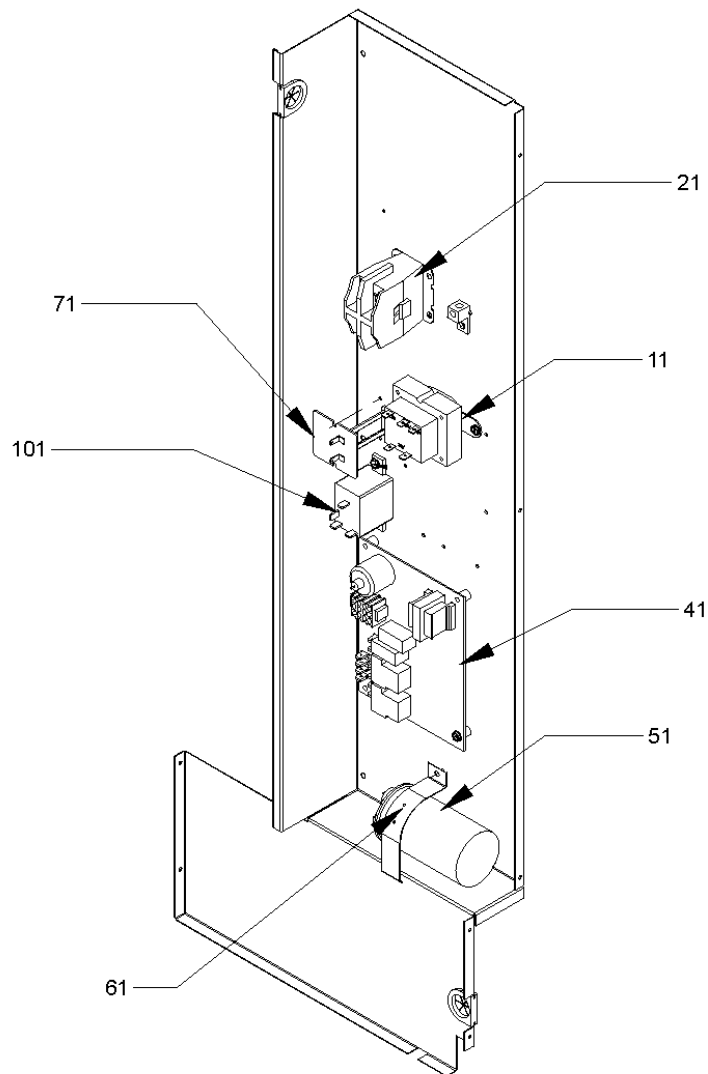
Image 1:

21	0131G00000P	ID BLOWER
31	20463204	ID BLOWER PLATE LRG 3 BRNR (M12, M13)
31	20463201	ID BLOWER PLATE LRG 4 BRNR (M14, M15, M18, M19)
31	20463202	ID BLOWER PLATE LRG 5 BRNR (M16, M17, M20, M21)
31	20463203	ID BLOWER PLATE LRG 6 BRNR (M22, M23)
31	20463101	ID BLOWER PLATE SML 2 BRNR (M1, M2, M5, M6, M8, M9)
31	20463102	ID BLOWER PLATE SML 3 BRNR (M3, M4, M7, M10)
31	20463103	ID BLOWER PLATE SML 4 BRNR (M11)
41	11112501	PRESSURE SWITCH
51	4305022	HEAT EXCHANGER ASSY (M1, M2, M5, M6, M9)
51	4305023	HEAT EXCHANGER ASSY (M3, M4, M7, M8, M10)
51	4305025	HEAT EXCHANGER ASSY (M12, M13)
51	4305026	HEAT EXCHANGER ASSY (M22, M23)
51	4305017	HEAT EXCHANGER ASSY 4B (LRG-12) (M14, M15, M18, M19)
51	4305016	HEAT EXCHANGER ASSY 4B (MED-12) (M11)
51	4305018	HEAT EXCHANGER ASSY 5B (LRG-12) (M16, M17, M20, M21)
71	20261709	IGNITOR
81	B1282628	GAS VALVE (36G)
91	0130F00010	FLAME SENSOR
101	0121M00035P	MANIFOLD - 2 BRNR (M1, M2, M5, M6, M8, M9)
101	0121M00036P	MANIFOLD - 3 BRNR (M12, M13)
101	20493103	MANIFOLD - 3 BRNR (M3, M4, M7, M10)
101	20493104	MANIFOLD - 4 BRNR (M11)
101	20493105	MANIFOLD - 4 BRNR (M14, M15, M18, M19)
101	20493106	MANIFOLD - 5 BRNR (M16, M17, M20, M21)
101	20493107	MANIFOLD - 6 BRNR (M22, M23)
111	10735102S	BECKETT BURNER (QTY 2)
121	20190415	BURNER BRACKET 2B (M1, M2, M5, M6, M8, M9)
121	20190411	BURNER BRACKET 3B (M3, M4, M7, M10, M12, M13)
121	20190412	BURNER BRACKET 4B (M11, M14, M15, M18, M19)
121	20190413	BURNER BRACKET 5B (M16, M17, M20, M21)
121	20190414	BURNER BRACKET 6B (M22, M23)
131	10123529	MANUAL RESET LIMIT-GREEN
141	20484401W	FLUE ELBOW LEFT
141	20484402W	FLUE ELBOW RIGHT
151	11072201	ORIFICE SHIELD (M1, M2, M5, M6, M8, M9)
151	11072202	ORIFICE SHIELD (M3, M4, M7, M10, M12, M13)
151	11072203	ORIFICE SHIELD (M11, M14, M15, M18, M19)
151	11072204	ORIFICE SHIELD (M16, M17, M20, M21)
151	11072205	ORIFICE SHIELD (M22, M23)
161	11190202	HEAT DEFLECTOR
231	10716003	ORIFICE (QTY AR)
NS	20463001	ID BLOWER PLATE GASKET LRG (M12, M13, M14, M15, M16, M17, M18, M19, M20, M21, M22, M23)
NS	20462801	ID BLOWER PLATE GASKET SML (M1, M2, M3, M4, M5, M6, M7, M8, M9, M10, M11)
NS	A3468601	PRESSURE SWITCH HOSE

Expanded Model Nomenclature

M1 - APG13240451BA
M2 - APG13240451CB
M3 - APG13240701BA
M4 - APG13240701CB
M5 - APG13300451AB
M6 - APG13300451BB
M7 - APG13300701AB
M8 - APG13300701BB
M9 - APG13360451AB
M10 - APG13360701AB
M11 - APG13360901AB
M12 - APG13480701AB
M13 - APG13480701AC
M14 - APG13480901AB
M15 - APG13480901AC
M16 - APG13481151AB
M17 - APG13481151AC
M18 - APG13600901BA
M19 - APG13600901BB
M20 - APG13601151BA
M21 - APG13601151BB
M22 - APG13601401BA
M23 - APG13601401BB

Control Panel



Control Panel

Ref. Part No:	Description:	Ref. Part No:	Description:
Image 1:		Expanded Model Nomenclature	
11	B1141643 TRANSFORMER 208/230, 24V	M1	- APG13240451BA
21	CONT1P030024VS CONTACTOR 30 AMP, 1P, 24V (M12, M13, M14, M15, M16, M17, M18, M19, M20, M21, M22, M23)	M2	- APG13240451CB
21	CONT2P030024VS CONTACTOR 30 AMP, 2P, 24V (M1, M2, M3, M4, M5, M6, M7, M8, M9, M10, M11)	M3	- APG13240701BA
41	PCBAG123 IGNITION BOARD, DSI INTEGRATED	M4	- APG13240701CB
51	CAP050600370RTS CAPACITOR 5/55/370V [CONTROL BOX] (M6, M8)	M5	- APG13300451AB
51	CAP050300370RSS CAPACITOR 5/30/370V [CONTROL BOX] (M1, M3)	M6	- APG13300451BB
51	CAP050350440RSS CAPACITOR 5/35/440V [CONTROL BOX] (M9, M10, M11)	M7	- APG13300701AB
51	CAP050400370RSS CAPACITOR 5/40/370V [CONTROL BOX] (M5, M7)	M8	- APG13300701BB
51	CAP050450370RSS CAPACITOR 5/45/370V [CONTROL BOX] (M2, M4)	M9	- APG13360451AB
51	CAP050600370RTS CAPACITOR 5/60/370V [CONTROL BOX] (M12, M13, M14, M15, M16, M17)	M10	- APG13360701AB
51	CAP050800370RTS CAPACITOR 5/80/370V [CONTROL BOX] (M18, M19, M20, M21, M22, M23)	M11	- APG13360901AB
61	20520901 CAPACITOR STRAP	M12	- APG13480701AB
71	10728342 LIMIT SWITCH (M1, M2, M3, M4, M5, M6, M7, M8)	M13	- APG13480701AC
71	10728343 LIMIT SWITCH (M9, M10, M11, M22, M23)	M14	- APG13480901AB
71	10728344 LIMIT SWITCH (M12, M13, M14, M15, M16, M17, M18, M19, M20, M21)	M15	- APG13480901AC
101	0130M00025S 24V RELAY (M12, M13, M14, M15, M16, M17, M18, M19, M20, M21, M22, M23)	M16	- APG13481151AB
NS	0259G00045 12-PIN MALE PLUG ASSY (M12, M13, M14, M15, M16, M17, M18, M19, M20, M21, M22, M23)	M17	- APG13481151AC
NS	4368400 12-PIN MALE PLUG ASSY (M1, M2, M3, M4, M5, M6, M7, M8, M9, M10, M11)	M18	- APG13600901BA
NS	0259G00009 BLOWER HARNESS (M1, M2, M3, M4, M5, M6, M7, M8, M9, M10, M11)	M19	- APG13600901BB
NS	0259G00023 BLOWER HARNESS (M12, M13, M14, M15, M16, M17, M18, M19, M20, M21, M22, M23)	M20	- APG13601151BA
NS	0259G00024 CONTROL HARNESS (M18, M19, M20, M21, M22, M23)	M21	- APG13601151BB
NS	0259G00046 CONTROL HARNESS (M5, M6, M7, M8)	M22	- APG13601401BA
NS	0259G00049 CONTROL HARNESS (M12, M13, M14, M15, M16, M17)	M23	- APG13601401BB
NS	0259G00077 CONTROL HARNESS (M1, M2, M3, M4, M9, M10, M11)		
NS	4368403 FEMALE PLUG ASSY (M12, M13, M14, M15, M16, M17, M18, M19, M20, M21, M22, M23)		