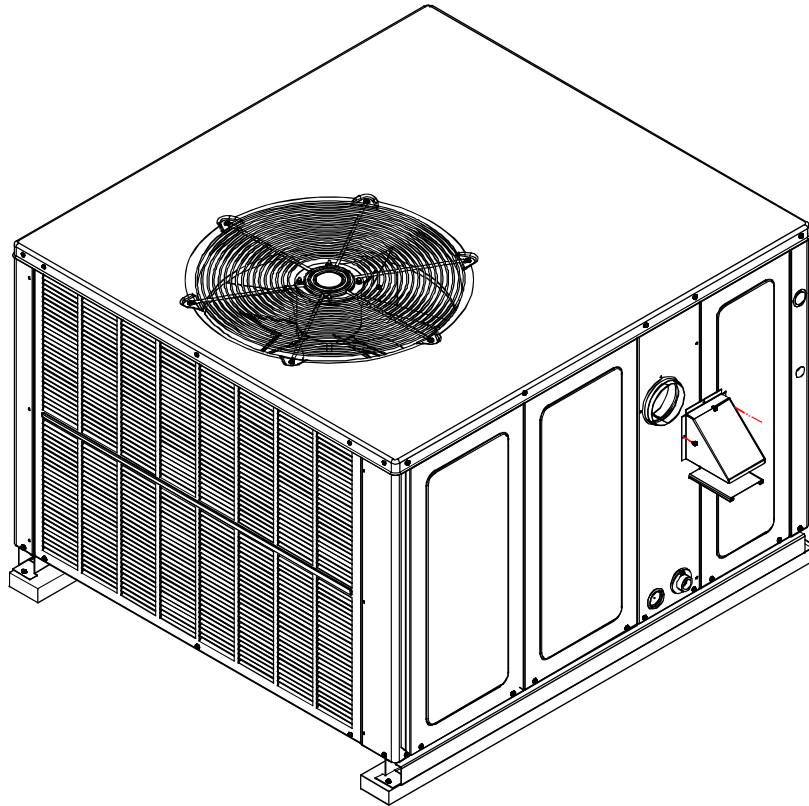


## APG13 Package Gas

APG13240451AA  
APG13240701AA  
APG13300451AA  
APG13300701AA  
APG13360451AA  
APG13360701AA  
APG13360901AA  
APG13420701AA  
APG13420901AA  
APG13480701AA  
APG13480901AA  
APG13481151AA  
APG13600901AA  
APG13601151AA  
APG13601401AA



Amana is a trademark of Maytag Corporation and used under license to Goodman Company, L.P. All rights reserved.

This manual is to be used by qualified technicians only.

This manual replaces RP-342.

© 2007-2008 Goodman Company, L.P. ♦ 5151 San Felipe, Suite 500 ♦ Houston, TX 77056

# Important Information

---

## Index

Functional Parts List .....	3
Illustration and Parts .....	4 - 15

*Views shown are for parts illustrations only, not servicing procedures*

Rev. A: Changed compressor number from ZR52K4PFV930 to ZRS52K4PFV930.  
Added Compressor Solenoid Harness 20468102.  
Changed blower wheel part number from B1368047S to D6723306.

7/11/08: Added note regarding factory installed duct covers (p. 7).

6/24/13: Changed part# from 1262525 to 1262527 for APG13420901AA model per email from PS.  
6/16/14: Changed part# from 1262525 to 1262527 for APG13420701AA model per email from PS.

### Text Codes:

- AR - As Required
- NA - Not Available
- NS - Not Shown
- 00000000 - See Note
- QTY - Quantity Example (QTY 3) (If Quantity not shown, Quantity = 1)
- M - Model Example (M1) (If M Code not shown, then part is used on all Models)

### Expanded Model Nomenclature:

Example M1 - Model#1 M2 - Model#2 M3 - Model#3
---

Goodman Company, L.P. is not responsible for personal injury or property damage resulting from improper service. Review all service information before beginning repairs.

Warranty service must be performed by an authorized technician, using authorized factory parts. If service is required after the warranty expires, Goodman Company, L.P. also recommends contacting an authorized technician and using authorized factory parts.

Goodman Company, L.P. reserves the right to discontinue, or change at any time, specifications or designs without notice or without incurring obligations.

For assistance within the U.S.A. contact:  
Consumer Affairs Department  
Goodman Company, L.P.  
7401 Security Way  
Houston, Texas 77040  
877-254-4729-Telephone  
713-863-2382-Facsimile

For assistance outside the U.S.A. contact:  
International Division  
Goodman Company, L.P.  
7401 Security Way  
Houston, Texas 77040  
713-861-2500-Telephone  
713-863-2382-Facsimile

# Functional Parts

## Part

## No: Description:

Part No:	Description:	Part No:	Description:
20269903	AUXILIARY LIMIT, AUTO RESET	4305018	HEAT EXCHANGER (5 CELL) LRG (M12, M14)
11091207	BLOWER MOTOR 1/4 HP, 3 SP, 8 PL (M1, M2)	4305026	HEAT EXCHANGER (6 CELL) LRG (M15)
CAP100000370VA	CAPACITOR 10/370V [BLOWER] (M1, M2, M8, M9)	PCBAG123	IGNITION BOARD, DSI INTEGRATED
CAP150000370VA	CAPACITOR 15/370V [BLOWER] (M3, M4, M5, M6, M7)	20261709	IGNITOR
CAP050300370RS	CAPACITOR 5/30/370V [CONTROL BOX] (M1, M2)	10728342	LIMIT SWITCH 150°F (M1, M2, M3, M4)
CAP050350440RS	CAPACITOR 5/35/440V [CONTROL BOX] (M5, M6, M7)	10728343	LIMIT SWITCH 160°F (M5, M6, M7, M10, M11, M15)
CAP050400370RS	CAPACITOR 5/40/370V [CONTROL BOX] (M3, M4)	10728344	LIMIT SWITCH 170°F (M8, M9, M12, M13, M14)
CAP050550370RT	CAPACITOR 5/55/370V [CONTROL BOX] (M10, M11, M12)	10123529	MANUAL RESET LIMIT
CAP050800370RT	CAPACITOR 5/80/370V [CONTROL BOX] (M13, M14, M15)	B13400868	MOTOR, VARIABLE SPEED WITH MODULE, 1 HP (M13, M14, M15)
CAP050550370RT	CAPACITOR 55/5/370V [CONTROL BOX] (M8, M9)	B13400915	MOTOR, VARIABLE SPEED WITH MODULE, 3/4 HP (M10, M11, M12)
CR19K7PFV970	COMPRESSOR 19300, 208/230/60/1 (M1, M2)	11119203	MOTOR-EVAP, 1/3 HP, 4 SPEED, 1080 RPM (M3, M4, M5, M6, M7)
CR23K7PFV930	COMPRESSOR 22600, 208/230/60/1 (M3, M4)	11112501	PRESSURE SWITCH
CR28K7PFV970	COMPRESSOR 28300, 208/230/60/1 (M5, M6, M7)	B1141643	TRANSFORMER 208/230, 24V
ZR36K3PFV930	COMPRESSOR 36900, 208/230/60/1 (M8, M9)		
ZR40K3PFV930	COMPRESSOR 40600, 208/230/60/1 (M10, M11, M12)		
ZRS52K4PFV930	COMPRESSOR, ZRS52K4PFV230 (M13, M14, M15)		
0131M00008P	COND MOTOR 1/3 HP, 1 SP, 6 PL (M10, M11, M12, M13, M14, M15)		
11091203	COND MOTOR 1/3 HP, 3 SP, 6 PL (M8, M9)		
0131M00007P	COND MOTOR 1/4 HP, 1 SP, 8 PL (M3, M4, M5, M6, M7, M8, M9)		
0131M00016P	COND MOTOR 1/6 HP, 1 SP, 8 PL (M1, M2)		
CONT2P025024V	CONTACTOR 25 AMP, 2P, 24V (M1, M2, M3, M4, M5, M6, M7)		
CONT2P030024V	CONTACTOR 30 AMP, 2P, 24V (M8, M9, M10, M11, M12)		
CONT2P040024V	CONTACTOR 40 AMP, 2P, 24V (M13, M14, M15)		
PCBEM102	ECM PRIMARY BOARD (M10, M11, M12, M13, M14, M15)		
0130F00010	FLAME SENSOR		
B1282628	GAS VALVE (36G)		
4305022	HEAT EXCHANGER (2 CELL) MED (M1, M3, M5)		
4305025	HEAT EXCHANGER (3 CELL) LRG (M8, M10)		
4305023	HEAT EXCHANGER (3 CELL) MED (M2, M4, M6)		
4305017	HEAT EXCHANGER (4 CELL) LRG (M9, M11, M13)		
4305016	HEAT EXCHANGER (4 CELL) MED (M7)		

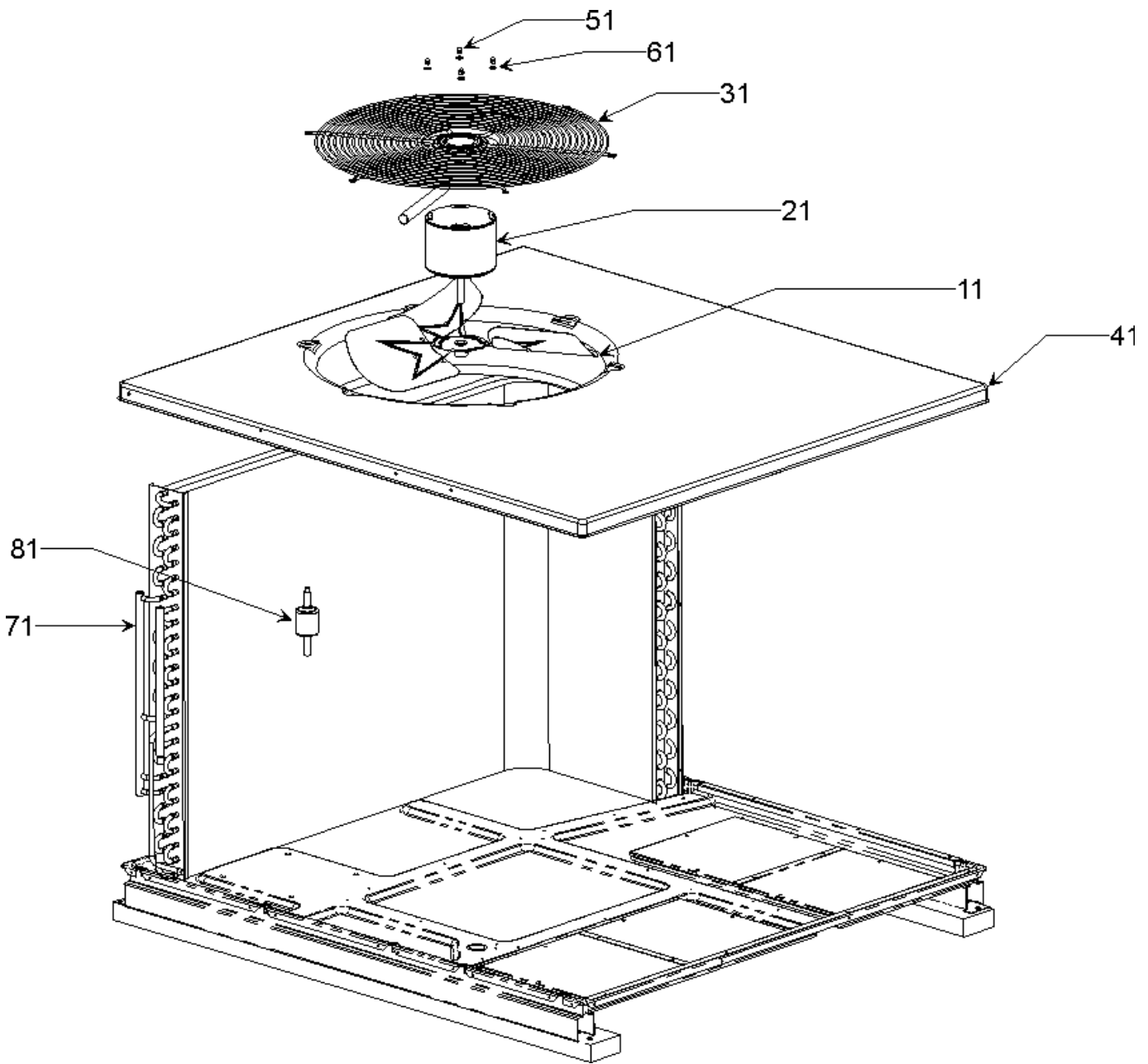
### SPECIAL PARTS

IO-257A	INSTALLATION INSTRUCTIONS
RP-342A	REPAIR PARTS MANUAL
HI-116	USERS MANUAL

### Expanded Model Nomenclature

M1 - APG13240451AA
M2 - APG13240701AA
M3 - APG13300451AA
M4 - APG13300701AA
M5 - APG13360451AA
M6 - APG13360701AA
M7 - APG13360901AA
M8 - APG13420701AA
M9 - APG13420901AA
M10 - APG13480701AA
M11 - APG13480901AA
M12 - APG13481151AA
M13 - APG13600901AA
M14 - APG13601151AA
M15 - APG13601401AA

# Top Panel / Fan



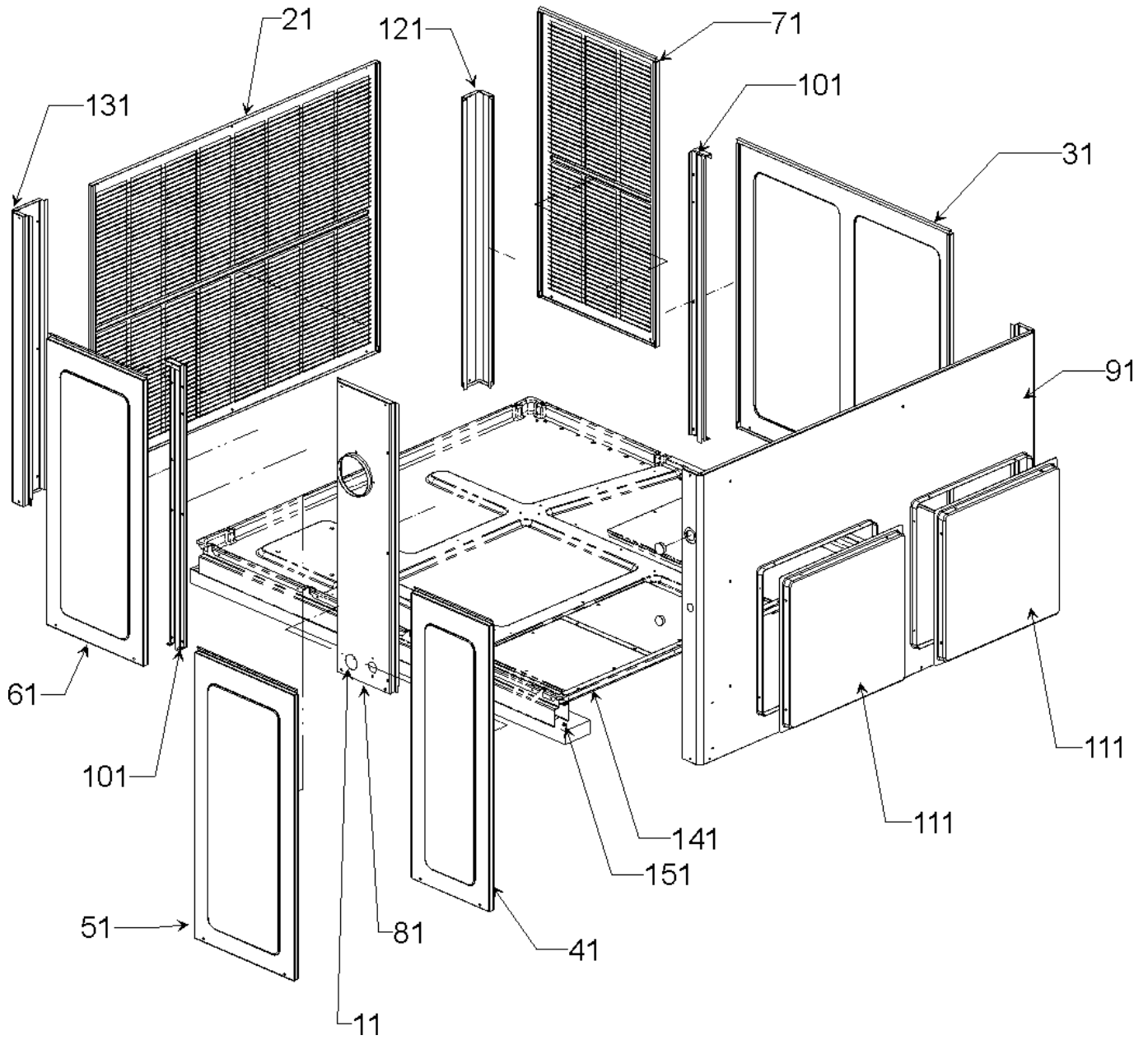
# Top Panel / Fan

Ref. Part No: No:	Description:	Ref. Part No: No:	Description:
<i>Image 1:</i>			
11 0150G00001	FAN BLADE (M13, M14, M15)		
11 B1086750	FAN BLADE 22", 3 BLADE, 24° (M8, M9)		
11 B1086773	FAN BLADE, 22", 3 BLADE, 24° P (M1, M2, M5, M6, M7)		
11 B1086775	FAN BLADE, 22", 3 BLADE, 28° P (M3, M4)		
11 B1086748	FAN BLADE, 22", 3 BLADE, 30° P (M10, M11, M12)		
21 0131M00008P	COND MOTOR 1/3 HP, 1 SP, 6 PL (M10, M11, M12, M13, M14, M15)		
21 0131M00007P	COND MOTOR 1/4 HP, 1 SP, 8 PL (M3, M4, M5, M6, M7, M8, M9)		
21 0131M00016P	COND MOTOR 1/6 HP, 1 SP, 8 PL (M1, M2)		
31 B1376923	FAN GRILLE GUARD, LRG		
41 20466001PDG	TOP PANEL		
51 B1783803	ACORN NUT 5/16 HEX YELLOW ZINC		
61 B1392826	WASHERS, FLAT (QTY 4)		
71 1262527	CRATED SERVICE COND. COIL W/DRIER (M8, M9)		
71 1262524	TUBING ASSY, COND COIL (M1, M2, M3, M4)		
71 1262528	TUBING ASSY, COND COIL (M5, M6, M7)		
71 1262529	TUBING ASSY, COND COIL (M10, M11, M12, M13, M14, M15)		
81 B1219212	SINGLE-FLOW FILTER DRIER, STEEL (M1, M2, M3, M4, M5, M6, M7)		
81 B1219225	SINGLE-FLOW FILTER DRIER, STEEL (M8, M9, M10, M11, M12, M13, M14, M15)		

## Expanded Model Nomenclature

- M1 - APG13240451AA
- M2 - APG13240701AA
- M3 - APG13300451AA
- M4 - APG13300701AA
- M5 - APG13360451AA
- M6 - APG13360701AA
- M7 - APG13360901AA
- M8 - APG13420701AA
- M9 - APG13420901AA
- M10 - APG13480701AA
- M11 - APG13480901AA
- M12 - APG13481151AA
- M13 - APG13600901AA
- M14 - APG13601151AA
- M15 - APG13601401AA

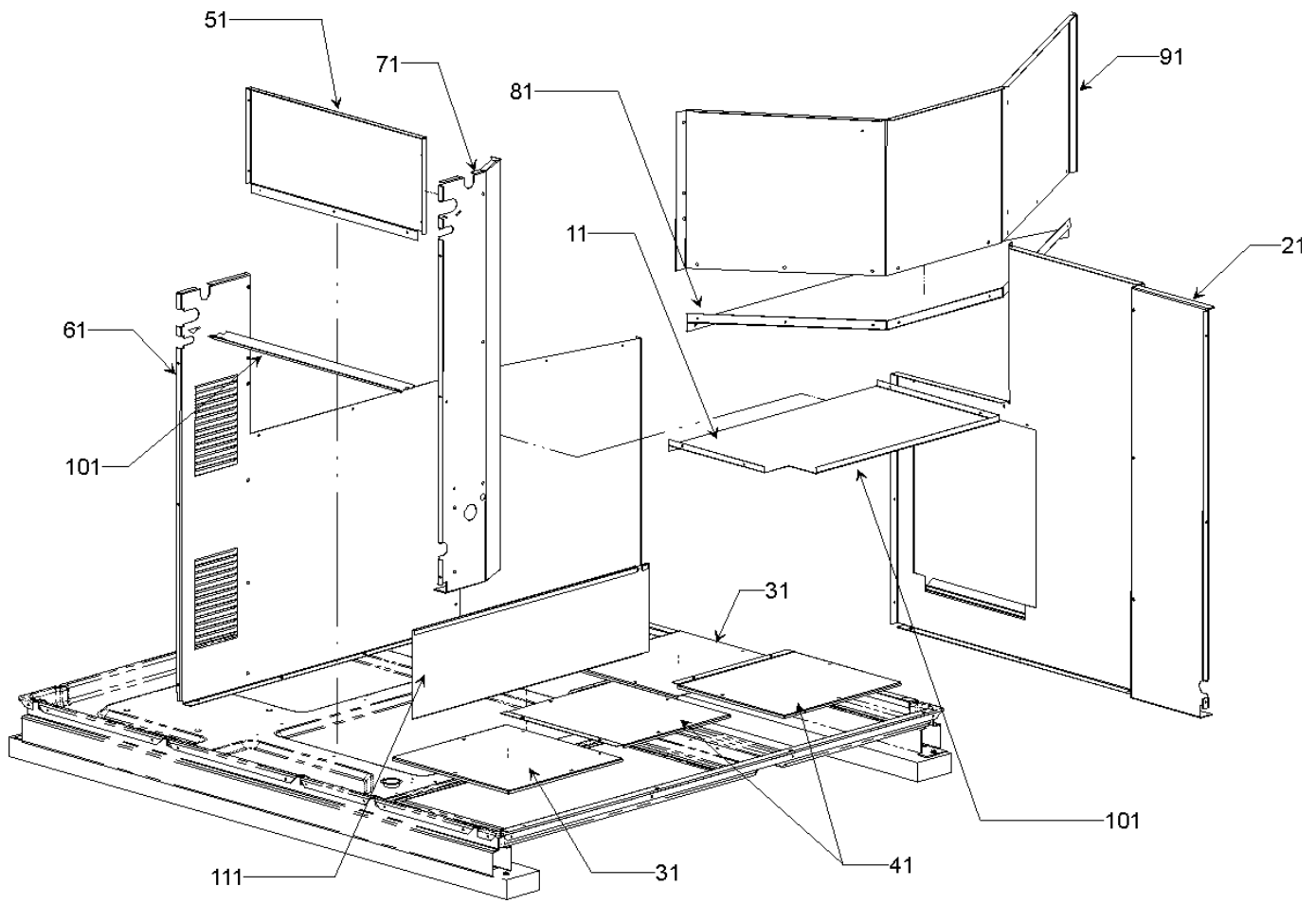
# Outer Chassis



# Outer Chassis

Ref. Part No:	No:	Description:	Ref. Part No:	No:	Description:
<i>Image 1:</i>			Expanded Model Nomenclature		
11	B1910012	GAS LINE GROMMET	M1 -	APG13240451AA	
21	20464401PLG	LOUVERED PANEL, COND SIDE 32" (M1, M2, M3, M4, M5, M6, M7)	M2 -	APG13240701AA	
21	20464402PLG	LOUVERED PANEL, COND SIDE 40" (M8, M9, M10, M11, M12, M13, M14, M15)	M3 -	APG13300451AA	
31	20464801PDG	BLOWER DOOR 32" (M1, M2, M3, M4, M5, M6, M7)	M4 -	APG13300701AA	
31	20464806PDG	BLOWER DOOR 40" (M8, M9, M10, M11, M12, M13, M14, M15)	M5 -	APG13360451AA	
41	20464802PDG	EVAP/CONTROL DOOR 32" (M1, M2, M3, M4, M5, M6, M7)	M6 -	APG13360701AA	
41	20464807PDG	EVAP/CONTROL DOOR 40" (M8, M9, M10, M11, M12, M13, M14, M15)	M7 -	APG13360901AA	
51	20464816PDG	DOOR-HEAT EXCHANGER 32" (M1, M2, M3, M4, M5, M6, M7)	M8 -	APG13420701AA	
51	0121G00181DG	HEAT EXCHANGER DOOR 40" (M8, M9, M10, M11, M12, M13, M14, M15)	M9 -	APG13420901AA	
61	20464804PDG	COMPRESSOR DOOR 32" (M1, M2, M3, M4, M5, M6, M7)	M10 -	APG13480701AA	
61	20464809PDG	COMPRESSOR DOOR 40" (M8, M9, M10, M11, M12, M13, M14, M15)	M11 -	APG13480901AA	
71	20467701PLG	LOUVERED PANEL, COND SIDE 32" (M1, M2, M3, M4, M5, M6, M7)	M12 -	APG13481151AA	
71	20467702PLG	LOUVERED PANEL, COND SIDE 40" (M8, M9, M10, M11, M12, M13, M14, M15)	M13 -	APG13600901AA	
81	20466101PDG	UTILITY PANEL 32" (M1, M2, M3, M4, M5, M6, M7)	M14 -	APG13601151AA	
81	20466102PDG	UTILITY PANEL 40" (M8, M9, M10, M11, M12, M13, M14, M15)	M15 -	APG13601401AA	
91	0121G00240DG	DUCT PANEL 40" (M8, M9, M10, M11, M12, M13, M14, M15)			
91	0121G00237DG	DUCT, PANEL 32" (M1, M2, M3, M4, M5, M6, M7)			
101	20464101	POST-PANEL SUPPORT 32" (M1, M2, M3, M4, M5, M6, M7)			
101	0121G00209	SUPPORT POST 40" (M8, M9, M10, M11, M12, M13, M14, M15)			
111	20464501PDG	BACK DUCT COVER 27" & 32" (M1, M2, M3, M4, M5, M6, M7)			
111	20464502PDG	BACK DUCT COVER 40" (M8, M9, M10, M11, M12, M13, M14, M15)			
121	20464301PDG	CORNER POST-HAIRPIN END 32" (M1, M2, M3, M4, M5, M6, M7)			
121	20464302PDG	CORNER POST-HAIRPIN END 40" (M8, M9, M10, M11, M12, M13, M14, M15)			
131	20464201PDG	CORNER POST-COMP END 32" (M1, M2, M3, M4, M5, M6, M7)			
131	20464202PDG	CORNER POST-COMP END 40" (M8, M9, M10, M11, M12, M13, M14, M15)			
141	20463901	BASEPAN			
151	0121G00195	BASEPAN RAILS (QTY 2)			
NS	4322800	EVAP DRIP SHIELD			
NS	0270G00070	FLUE HOOD ASSY			

# Partition Panels



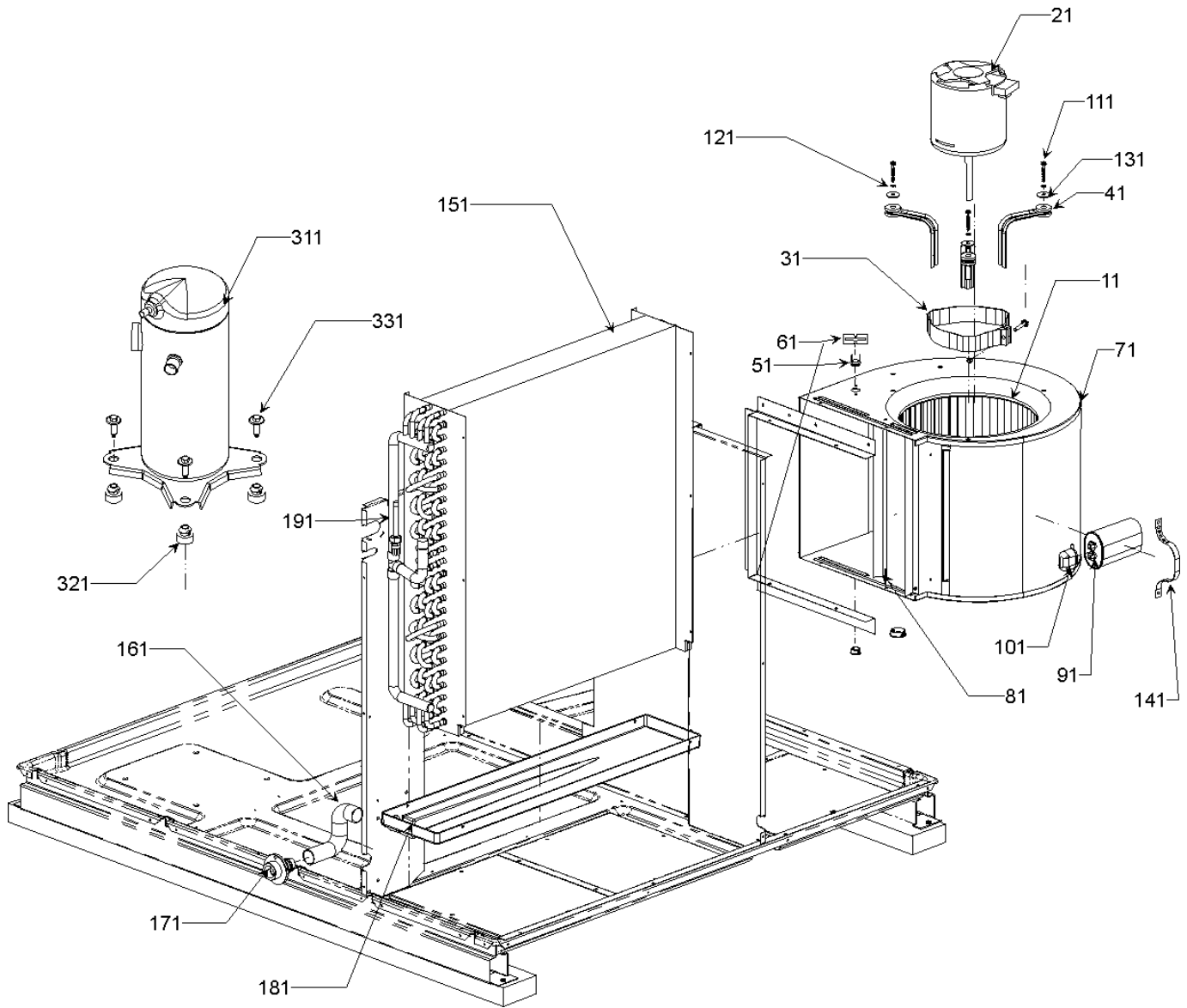
# Partition Panels

Ref. Part No:	No:	Description:	Ref. Part No:	No:	Description:
<i>Image 1:</i>					
11	20472501	SHIELD, HEAT EXCHANGER TUBES			
21	20465305	BLOWER DIVIDER (M1, M2, M3, M4)			
21	20465306	BLOWER DIVIDER (M8, M9)			
21	20465304	BLOWER DIVIDER 32" 10 X 9 (M5, M6, M7)			
21	0121G00177	DIVIDER-BLOWER (M10, M11, M12, M13, M14, M15)			
31	20464601	COVER-DUCT DOWN BOTTOM (QTY 2)			
41	20464701	COVER-DUCT DOWN TOP (QTY 2)			
51	20465201	FILLER PANEL, HEAT EXCHANGER 32" (M1, M2, M3, M4, M5, M6, M7)			
51	20465202	FILLER PANEL, HEAT EXCHANGER 40" (M8, M9, M10, M11, M12, M13, M14, M15)			
61	20465401	PARTITION PANEL 32" (M1, M2, M3, M4, M5, M6, M7)			
61	20465402	PARTITION PANEL 38" (M8, M9, M10, M11, M12, M13, M14, M15)			
71	20465501	EVAP/HEAT EXCHANGER DIVIDER 32" (M1, M2, M3, M4, M5, M6, M7)			
71	20465502	EVAP/HEAT EXCHANGER DIVIDER 38" (M8, M9, M10, M11, M12, M13, M14, M15)			
81	20465701	FAN PARTITION SHELF			
91	20465801	FAN SURROUND 32" (M1, M2, M3, M4, M5, M6, M7)			
91	20465802	FAN SURROUND 40" (M8, M9, M10, M11, M12, M13, M14, M15)			
101	20496801	DRAIN CHANNEL, SUCTION TUBE			
111	20463802	EVAP/BASEPAN BLOCK 32" (M1, M2, M3, M4, M5, M6, M7)			
111	20463801	EVAP/BASEPAN BLOCK 40" (M8, M9, M10, M11, M12, M13, M14, M15)			

## Expanded Model Nomenclature

- M1 - APG13240451AA
- M2 - APG13240701AA
- M3 - APG13300451AA
- M4 - APG13300701AA
- M5 - APG13360451AA
- M6 - APG13360701AA
- M7 - APG13360901AA
- M8 - APG13420701AA
- M9 - APG13420901AA
- M10 - APG13480701AA
- M11 - APG13480901AA
- M12 - APG13481151AA
- M13 - APG13600901AA
- M14 - APG13601151AA
- M15 - APG13601401AA

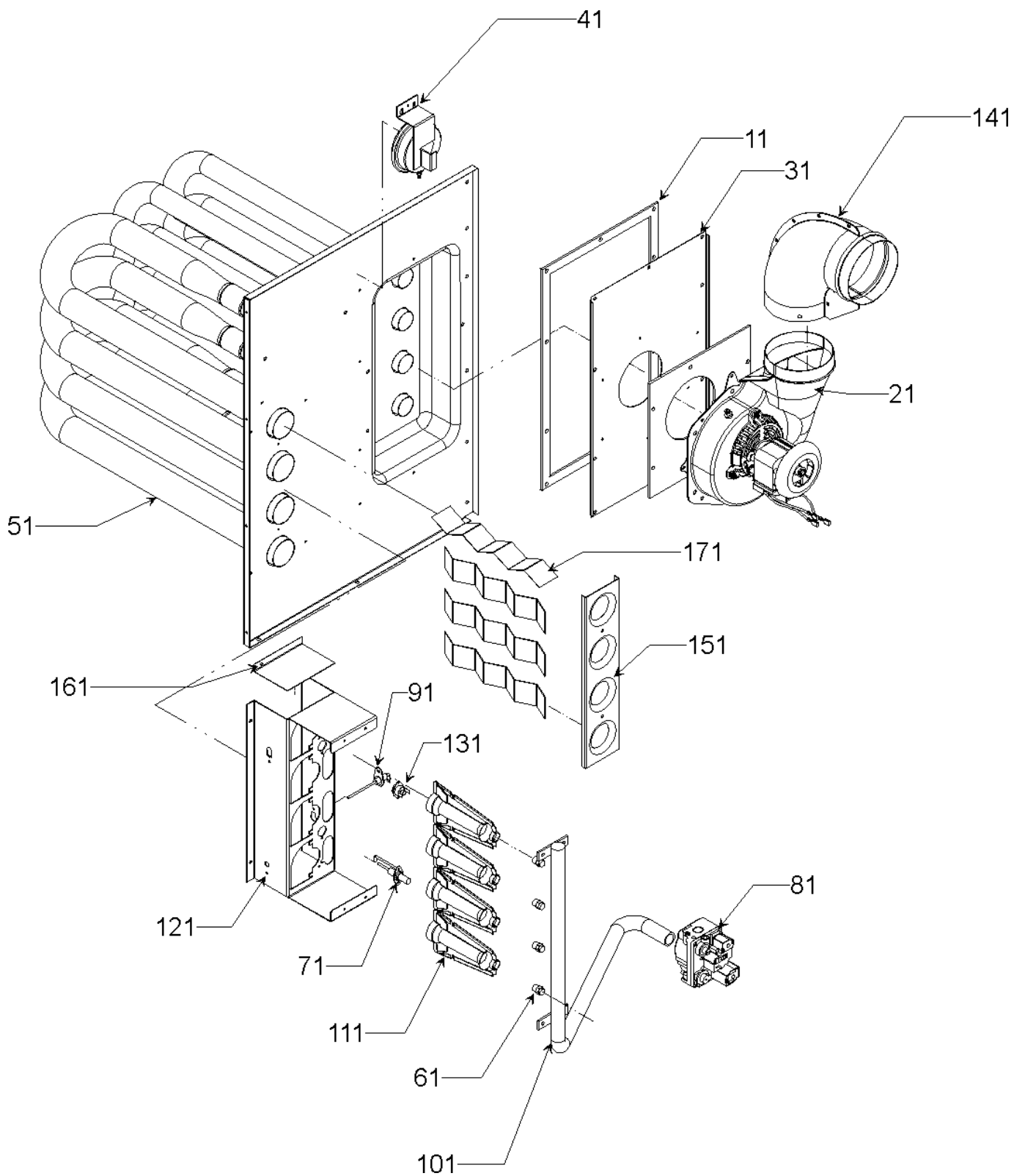
# Compressor / Blower Assy



# Compressor / Blower Assy

Ref. Part No:	No:	Description:	Ref. Part No:	No:	Description:
<i>Image 1:</i>			311	CR19K7PFV970	COMPRESSOR 19300, 208/230/60/1 (M1, M2)
11	D6723303	BLOWER WHEEL (M5, M6, M7)	311	CR23K7PFV930	COMPRESSOR 22600, 208/230/60/1 (M3, M4)
11	D6723306	BLOWER WHEEL (M8, M9)	311	CR28K7PFV970	COMPRESSOR 28300, 208/230/60/1 (M5, M6, M7)
11	B1368016	BLOWER WHEEL 10 X 8 (M3, M4)	311	ZR36K3PFV930	COMPRESSOR 36900, 208/230/60/1 (M8, M9)
11	B1368058	BLOWER WHEEL 10 X 8 (M1, M2)	311	ZR40K3PFV930	COMPRESSOR 40600, 208/230/60/1 (M10, M11, M12)
11	B1368000	BLOWER WHEEL 11 X 10 (M10, M11, M12, M13, M14, M15)	311	ZRS52K4PFV930	COMPRESSOR, ZRS52K4PFV230 (M13, M14, M15)
21	11091207	BLOWER MOTOR 1/4 HP, 3 SP, 8 PL (M1, M2)	321	B1339530	COMPRESSOR GROMMET (M1, M2, M3, M4, M5, M6, M7)
21	11091203	COND MOTOR 1/3 HP, 3 SP, 6 PL (M8, M9)	321	B1339533	COMPRESSOR GROMMET (M8, M9, M10, M11, M12, M13, M14, M15)
21	B13400868	MOTOR, VARIABLE SPEED WITH MODULE, 1 HP (M13, M14, M15)	331	M0221641	TF SHOULDER SCREW
21	B13400915	MOTOR, VARIABLE SPEED WITH MODULE, 3/4 HP (M10, M11, M12)	NS	B1378718	ASSY, WIRING HARNESS (5 PIN) (M10, M11, M12, M13, M14, M15)
21	11119203	MOTOR-EVAP, 1/3 HP, 4 SPEED, 1080 RPM (M3, M4, M5, M6, M7)	NS	PCBEM102	ECM PRIMARY BOARD (M10, M11, M12, M13, M14, M15)
31	B1376851	MOTOR MOUNT BAND (M10, M11, M12, M13, M14, M15)	NS	20468102	HARNESS, COMPRESSOR SOLENOID (M13, M14, M15)
41	B1376857	MOTOR, MOUNT ARMS (QTY 3) (M10, M11, M12, M13, M14, M15)	NS	B13500868PA	MODULE, END BELL, PROGRAMED, SERVICE, 1 HP (M13, M14, M15)
51	20269903	AUXILIARY LIMIT, AUTO RESET	NS	B13500915PA	MODULE, END BELL, PROGRAMED, SERVICE, 3/4 HP (M10, M11, M12)
61	2509503F	AUXILIARY LIMIT BRACKET	NS	B3232219	TXV (M13, M14, M15)
71	2539311	BLOWER HOUSING (10 X 10) (M8, M9)	NS	B1378703	WIRE HARNESS, HIGH VOLTAGE (M10, M11, M12, M13, M14, M15)
71	2539310	BLOWER HOUSING (10 X 8) (M1, M2, M3, M4)	Expanded Model Nomenclature		
71	2539308	BLOWER HOUSING (10 X 9) (M5, M6, M7)			
71	2539309	BLOWER HOUSING (11 X 10) (M10, M11, M12, M13, M14, M15)	M1 - APG13240451AA		
81	1864703	BLOWER CUT-OFF (11 X 10) (M10, M11, M12, M13, M14, M15)	M2 - APG13240701AA		
91	CAP100000370VA	CAPACITOR 10/370V [BLOWER] (M1, M2, M8, M9)	M3 - APG13300451AA		
91	CAP150000370VA	CAPACITOR 15/370V [BLOWER] (M3, M4, M5, M6, M7)	M4 - APG13300701AA		
101	B821700	CAPACITOR BOOT	M5 - APG13360451AA		
111	B1393331	MACHINE SCREW, 1/4-20 TYPE F SLOTTED (M1, M2, M3, M4, M5, M6, M7, M8, M9)	M6 - APG13360701AA		
111	B1393527	SCREW, HWH 14 X 1-1/2 (M10, M11, M12, M13, M14, M15)	M7 - APG13360901AA		
121	B1392820	WASHER, SPLIT LOCK, 1/4" (M1, M2, M3, M4, M5, M6, M7, M8, M10, M11, M12, M13, M14, M15)	M8 - APG13420701AA		
131	B1392918	WASHER, FLAT 1/4" (M10, M11, M12, M13, M14, M15)	M9 - APG13420901AA		
141	1284835	CAPACITOR STRAP (M1, M2, M3, M4, M5, M6, M7, M8, M9)	M10 - APG13480701AA		
151	4303018	CRATED SERVICE EVAP COIL W/DRIER (M13, M14, M15)	M11 - APG13480901AA		
151	1262643	TUBING ASSY, EVAP COIL (M5, M6, M7)	M12 - APG13481151AA		
151	1262650	TUBING ASSY, EVAP COIL (M1, M2, M3, M4)	M13 - APG13600901AA		
151	1262651	TUBING ASSY, EVAP COIL (M8, M9, M10, M11, M12)	M14 - APG13601151AA		
161	20498302	DRAIN TUBE 32" (M1, M2, M3, M4, M5, M6, M7)	M15 - APG13601401AA		
161	20498301	DRAIN TUBE 40" (M8, M9, M10, M11, M12, M13, M14, M15)			
171	20513001	EVAP DRAIN FITTING			
181	20464901	DRIP PAN, EVAP COIL			
191	B1314659	FLOWRATOR .059 (M1, M2)			
191	B1314668	FLOWRATOR .068 (M3, M4)			
191	B1314871	FLOWRATOR .071 (M5, M6, M7)			
191	B1314878	FLOWRATOR .078 (M8, M9)			
191	B1314880	FLOWRATOR .080 (M10, M11, M12)			

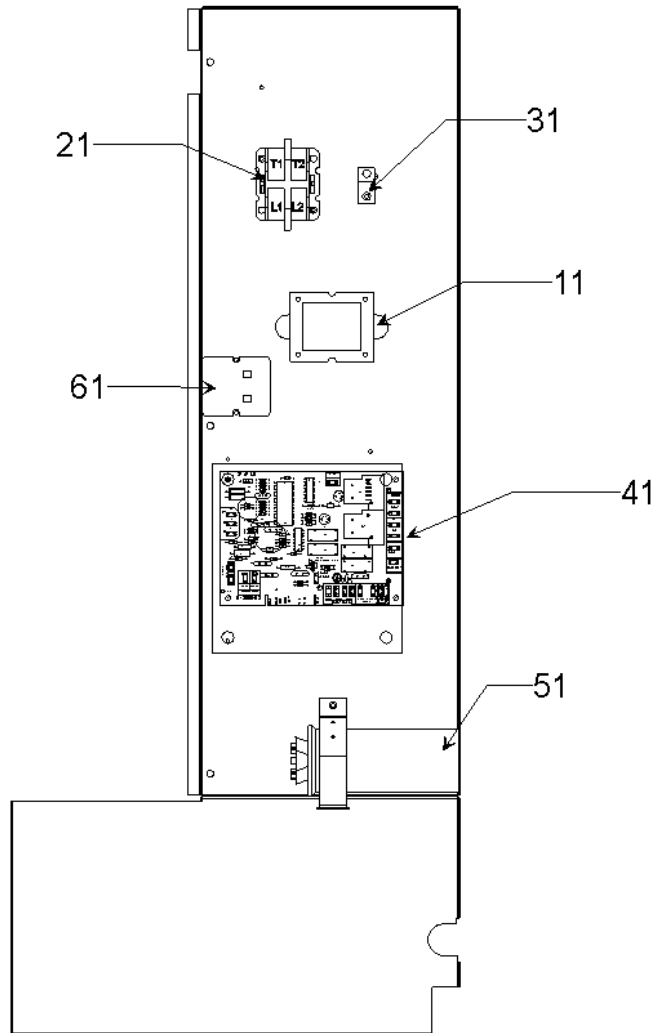
# Heat Exchanger / Manifold / Gas Valve



# Heat Exchanger / Manifold / Gas Valve

Ref. Part No:	No:	Description:	Ref. Part No:	No:	Description:
<i>Image 1:</i>			Expanded Model Nomenclature		
11	20463001	ID BLOWER PLATE GASKET LRG (M8, M9, M10, M11, M12, M13, M14, M15)	M1 -	APG13240451AA	
11	20462801	ID BLOWER PLATE GASKET SML (M1, M2, M3, M4, M5, M6, M7)	M2 -	APG13240701AA	
21	0131G00000P	ID BLOWER	M3 -	APG13300451AA	
31	20463204	ID BLOWER PLATE (M8, M10)	M4 -	APG13300701AA	
31	20463103	ID BLOWER PLATE LRG 4 BRNR (M7)	M5 -	APG13360451AA	
31	20463201	ID BLOWER PLATE LRG 4 BRNR (M9, M11, M13)	M6 -	APG13360701AA	
31	20463101	ID BLOWER PLATE SML 2 BRNR (M1, M3, M5)	M7 -	APG13360901AA	
31	20463102	ID BLOWER PLATE SML 3 BRNR (M2, M4, M6)	M8 -	APG13420701AA	
31	20463202	PLATE-ID BLWR, 5 BURNER, LRG (M12, M14)	M9 -	APG13420901AA	
31	20463203	PLATE-ID BLWR, 6 BURNER, LRG (M15)	M10 -	APG13480701AA	
41	11112501	PRESSURE SWITCH	M11 -	APG13480901AA	
51	4305022	HEAT EXCHANGER (2 CELL) MED (M1, M3, M5)	M12 -	APG13481151AA	
51	4305025	HEAT EXCHANGER (3 CELL) LRG (M8, M10)	M13 -	APG13600901AA	
51	4305023	HEAT EXCHANGER (3 CELL) MED (M2, M4, M6)	M14 -	APG13601151AA	
51	4305017	HEAT EXCHANGER (4 CELL) LRG (M9, M11, M13)	M15 -	APG13601401AA	
51	4305016	HEAT EXCHANGER (4 CELL) MED (M7)			
51	4305018	HEAT EXCHANGER (5 CELL) LRG (M12, M14)			
51	4305026	HEAT EXCHANGER (6 CELL) LRG (M15)			
61	10716003	ORIFICE #43			
71	20261709	IGNITOR			
81	B1282628	GAS VALVE (36G)			
91	0130F00010	FLAME SENSOR			
101	0121M00035P	MANIFOLD - 2 BRNR (M1, M3, M5)			
101	0121M00036P	MANIFOLD - 3 BRNR (M8, M10)			
101	20493103	MANIFOLD - 3 BRNR (M2, M4, M6)			
101	20493104	MANIFOLD - 4 BRNR (M7)			
101	20493105	MANIFOLD - 4 BRNR (M9, M11, M13)			
101	20493106	MANIFOLD, (5 CELL) LRG (M12, M14)			
101	20493107	MANIFOLD, (6 CELL) LRG (M15)			
111	10735102	BECKETT-BURNER			
121	20190415	BURNER BRACKET 2B (M1, M3, M5)			
121	20190411	BURNER BRACKET 3B (M2, M4, M6, M8, M10)			
121	20190412	BURNER BRACKET 4B (M7, M9, M11, M13)			
121	20190413	BURNER BRACKET 5B (M12, M14)			
121	20190414	BURNER BRACKET 6B (M15)			
131	10123529	MANUAL RESET LIMIT			
141	20484401	ELBOW-FLUE, LEFT			
141	20484402	ELBOW-FLUE, RIGHT			
151	4028000	ORIFICE SHIELD 2 CL (M1, M3, M5)			
151	4028001	ORIFICE SHIELD 3 CL (M2, M4, M6, M8, M10)			
151	4028002	ORIFICE SHIELD 4 CL (M7, M9, M11, M13)			
151	4028003	ORIFICE SHIELD 5 CL (M12, M14)			
151	4028004	ORIFICE SHIELD 6 CL (M15)			
161	B11190202	DEFLECTOR-HEAT			
171	10624003	INSERT-MESH TUBE (QTY AR)			

# Control Panel



# Control Panel

Ref. Part No: No:	Description:	Ref. Part No: No:	Description:
-------------------	--------------	-------------------	--------------

Image 1:

11	B1141643	TRANSFORMER 208/230, 24V
21	CONT2P025024V	CONTACTOR 25 AMP, 2P, 24V (M1, M2, M3, M4, M5, M6, M7)
21	CONT2P030024V	CONTACTOR 30 AMP, 2P, 24V (M8, M9, M10, M11, M12)
21	CONT2P040024V	CONTACTOR 40 AMP, 2P, 24V (M13, M14, M15)
31	B1378533	GROUND LUG
41	PCBAG123	IGNITION BOARD, DSI INTEGRATED
51	CAP050300370RS	CAPACITOR 5/30/370V [CONTROL BOX] (M1, M2)
51	CAP050350440RS	CAPACITOR 5/35/440V [CONTROL BOX] (M5, M6, M7)
51	CAP050400370RS	CAPACITOR 5/40/370V [CONTROL BOX] (M3, M4)
51	CAP050550370RT	CAPACITOR 5/55/370V [CONTROL BOX] (M10, M11, M12)
51	CAP050800370RT	CAPACITOR 5/80/370V [CONTROL BOX] (M13, M14, M15)
51	CAP050550370RT	CAPACITOR 55/5/370V [CONTROL BOX] (M8, M9)
61	10728342	LIMIT SWITCH 150°F (M1, M2, M3, M4)
61	10728343	LIMIT SWITCH 160°F (M5, M6, M7, M10, M11, M15)
61	10728344	LIMIT SWITCH 170°F (M8, M9, M12, M13, M14)

Expanded Model Nomenclature

M1 - APG13240451AA
M2 - APG13240701AA
M3 - APG13300451AA
M4 - APG13300701AA
M5 - APG13360451AA
M6 - APG13360701AA
M7 - APG13360901AA
M8 - APG13420701AA
M9 - APG13420901AA
M10 - APG13480701AA
M11 - APG13480901AA
M12 - APG13481151AA
M13 - APG13600901AA
M14 - APG13601151AA
M15 - APG13601401AA