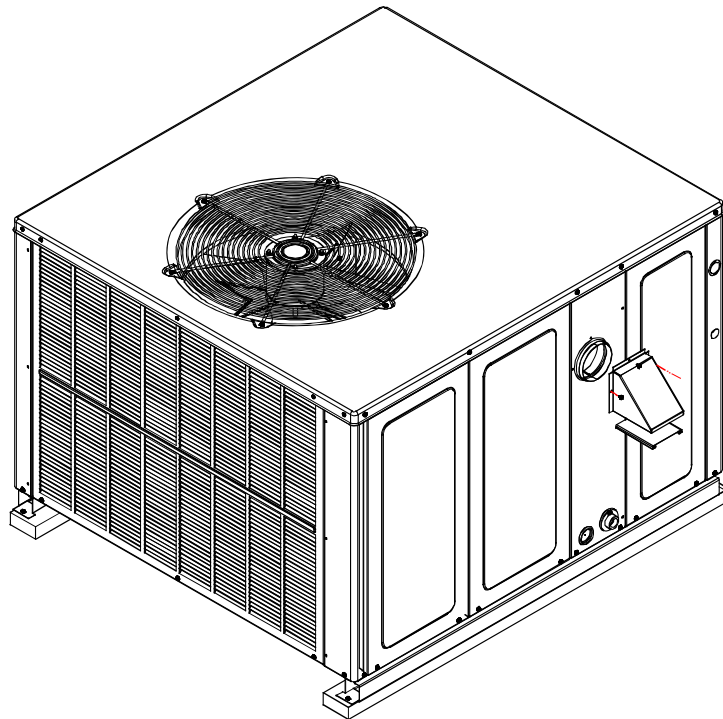


APG12* 12 SEER Package Gas Units



Important Information

Index

Functional Parts List	3
Illustration and Parts	4 - 15

Views shown are for parts illustrations only, not servicing procedures

Revision C: Corrected DRAIN, TUBE part number for models M1-M3.

Text Codes:

AR - As Required

NA - Not Available

NS - Not Shown

00000000 - See Note

QTY - Quantity Example (QTY 3) (If Quantity not shown, Quantity = 1)

M - Model Example (M1) (If M Code not shown, then part is used on all Models)

Expanded Model Nomenclature:

Example
M1 - Model#1
M2 - Model#2
M3 - Model#3

Goodman Company, L.P. is not responsible for personal injury or property damage resulting from improper service. Review all service information before beginning repairs.

Warranty service must be performed by an authorized technician, using authorized factory parts. If service is required after the warranty expires, Goodman Company, L.P. also recommends contacting an authorized technician and using authorized factory parts.

Goodman Company, L.P. reserves the right to discontinue, or change at any time, specifications or designs without notice or without incurring obligations. Amana® brand products are proudly made in the USA.

For assistance within the U.S.A. contact:

Consumer Affairs Department
Goodman Company, L.P.
7401 Security Way
Houston, Texas 77040
877-254-4729-Telephone
713-863-2382-Facsimile

For assistance outside the U.S.A. contact:

International Division
Goodman Company, L.P.
7401 Security Way
Houston, Texas 77040
713-861-2500-Telephone
713-863-2382-Facsimile

Functional Parts

Part No:

Description:

Part No:	Description:	Part No:	Description:
10735102	BECKETT-BURNER (QTY AR)	B4089343	ORIFICE (QTY AR)
B1368016	BLOWER WHEEL (10 X 8) (M1, M2, M3)	20488501	SENSOR, FLAME (QTY X)
D6723303	BLOWER WHEEL (10 X 9) (M4, M5)	B1219225	SINGLE-FLOW FILTER DRIER, STEEL (QTY X)
B1368000	BLOWER WHEEL (11 X 10) (M6, M7, M8, M9, M10, M11)	B1219225	SINGLE-FLOW FILTER DRIER, STEEL (QTY X)
B945653	CAPACITOR, 15/370 (QTY X)	B1141643	TRANSFORMER (QTY X)
B94578700	CAPACITOR, 30/5/370 (M1, M2)		
B94575400	CAPACITOR, 35/5/440 (M4, M5)		
B94575500	CAPACITOR, 40/5/370 (M3)		
B94575900	CAPACITOR, 55/5/370 (M6, M7)		
B94577500	CAPACITOR, 60/5/370 (M8, M9)		
B94578800	CAPACITOR, 60/5/440 (M10, M11)		
CR21K7PFV930	COMPRESSOR-CR21K7-PFV-230 (M1, M2)		
CR24K7PFV930	COMPRESSOR-CR24K7-PFV-230 (M3)		
CR31K7PFV930	COMPRESSOR-CR31K7-PFV-230 (M4, M5)		
ZR38KAPFV830	COMPRESSOR-ZR38KA-PFV-130 (M6, M7)		
ZR42K3PFV930	COMPRESSOR-ZR42K3-PFV-230 (M8, M9)		
ZR48K3PFV935	COMPRESSOR-ZR48K3-PFV-235 (M10, M11)		
1262526	CRATED SERVICE COND. COIL W/DRIER (M1, M2, M3)		
1262524	CRATED SERVICE COND. COIL W/DRIER (M4, M5)		
1262528	CRATED SERVICE COND. COIL W/DRIER (M6, M7)		
1262529	CRATED SERVICE COND. COIL W/DRIER (M8, M9, M10, M11)		
1262646	CRATED SERVICE EVAP COIL W/DRIER (M1, M2)		
1262647	CRATED SERVICE EVAP COIL W/DRIER (M3)		
1262643	CRATED SERVICE EVAP COIL W/DRIER (M4, M5, M6, M7)		
1262648	CRATED SERVICE EVAP COIL W/DRIER (M8, M9, M10, M11)		
B1282628	GAS VALVE (QTY X)		
4305013A	HEAT EXCHANGER (2 CELL) SML (M1)		
4305023A	HEAT EXCHANGER (3 CELL) MED (M4, M6)		
4305014A	HEAT EXCHANGER (3 CELL) SML (M2, M3)		
4305017A	HEAT EXCHANGER (4 CELL) LRG (M8, M10)		
4305016A	HEAT EXCHANGER (4 CELL) MED (M5, M7)		
4305018A	HEAT EXCHANGER (5 CELL) LRG (M9, M11)		
20484701S	ID BLOWER (QTY X)		
20261709S	IGNITOR (QTY X)		
B1809918S	INTEGRATED DSI MODULE (QTY X)		
10728342	LIMIT SWITCH 150°F (M1)		
10728343	LIMIT SWITCH 160°F (M2, M3, M4, M5, M6, M7, M8, M9, M10, M11)		
B13400248	MOTOR, 1/3 HP, 1 SPEED (M8, M9, M10, M11)		
B13400247	MOTOR, 1/4 HP, 1 SPEED (M4, M5, M6, M7)		
B13400348	MOTOR, 1/6 HP, 1 SPEED (M1, M2, M3)		
11119203	MOTOR-EVAP, 1/3 HP, 4 SPEED (M1, M2, M3, M4, M5)		
20028603	MOTOR-EVAP, 3/4 HP, 4 SPEED (M6, M7)		
20028601	MOTOR-EVAP, 3/4 HP, 4 SPEED (M8, M9, M10, M11)		

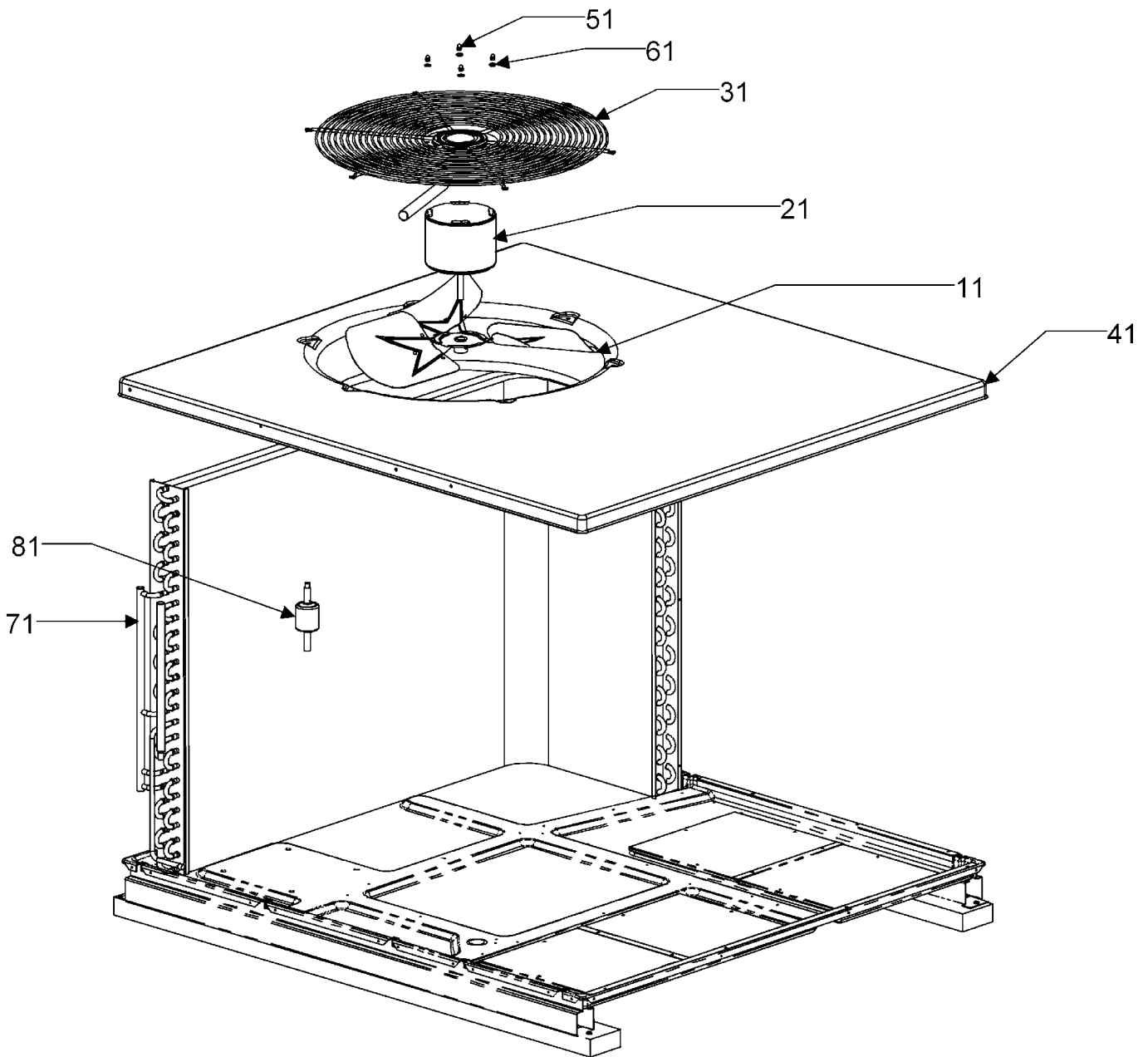
SPECIAL PARTS

IO-246	INSTALLATION AND OWNERS MANUAL
RP-242	REPAIR PART MANUAL
20492704	WARRANTY

Expanded Model Nomenclature

M1 - APG12240451A
M2 - APG12240701A
M3 - APG12300701A
M4 - APG12360701A
M5 - APG12360901A
M6 - APG12420701A
M7 - APG12420901A
M8 - APG12480901A
M9 - APG12481151A
M10 - APG12600901A
M11 - APG12601151A

Top Panel / Fan



Top Panel / Fan

Ref. Part No: No:	Description:	Ref. Part No: No:	Description:
-------------------	--------------	-------------------	--------------

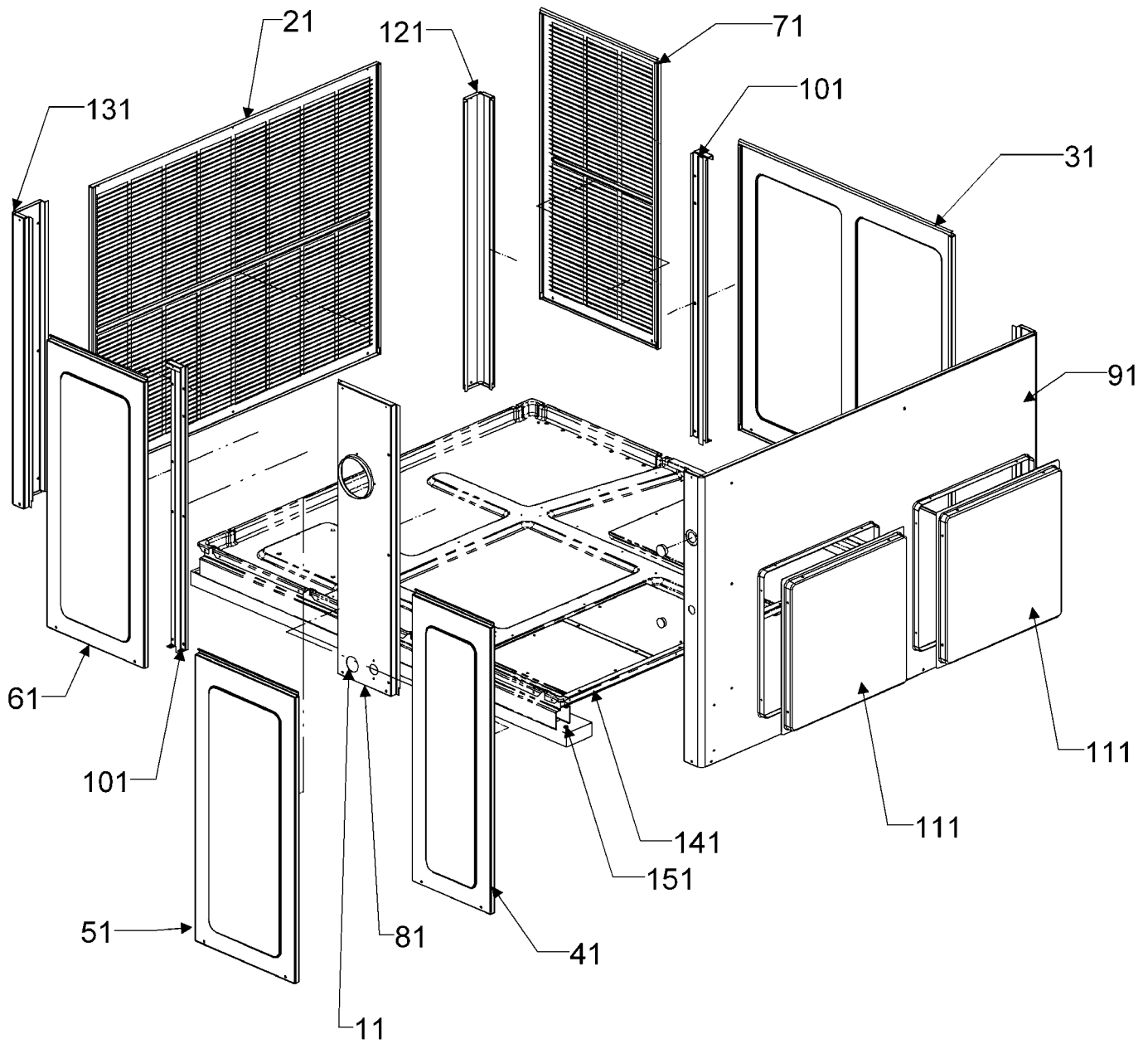
Image 1:

11	B1086750S	FAN BLADE, 22", 3 BLADE, 24° P (M1, M2, M3, M4, M5, M6, M7)
11	B1086748S	FAN BLADE, 22", 3 BLADE, 30°P (M8, M9)
11	B1086774S	FAN BLADE, 22", 4 BLADE, 29° P (M10, M11)
21	B13400248	MOTOR, 1/3 HP, 1 SPEED (M8, M9, M10, M11)
21	B13400247	MOTOR, 1/4 HP, 1 SPEED (M4, M5, M6, M7)
21	B13400348	MOTOR, 1/6 HP, 1 SPEED (M1, M2, M3)
31	B1376923	FAN GRILL GUARD, LRG (QTY X)
41	20466001PDG	TOP-OUTER CASE W/PAINT (QTY X)
51	B1783803	NUT, ACORN, 5/16 (QTY 4)
61	B1392826	WASHERS, FLAT (QTY 4)
71	1262524	CRATED SERVICE COND. COIL W/DRIER (M4, M5)
71	1262526	CRATED SERVICE COND. COIL W/DRIER (M1, M2, M3)
71	1262528	CRATED SERVICE COND. COIL W/DRIER (M6, M7)
71	1262529	CRATED SERVICE COND. COIL W/DRIER (M8, M9, M10, M11)
81	B1219225	SINGLE-FLOW FILTER DRIER, STEEL (QTY X)

Expanded Model Nomenclature

- M1 - APG12240451A
- M2 - APG12240701A
- M3 - APG12300701A
- M4 - APG12360701A
- M5 - APG12360901A
- M6 - APG12420701A
- M7 - APG12420901A
- M8 - APG12480901A
- M9 - APG12481151A
- M10 - APG12600901A
- M11 - APG12601151A

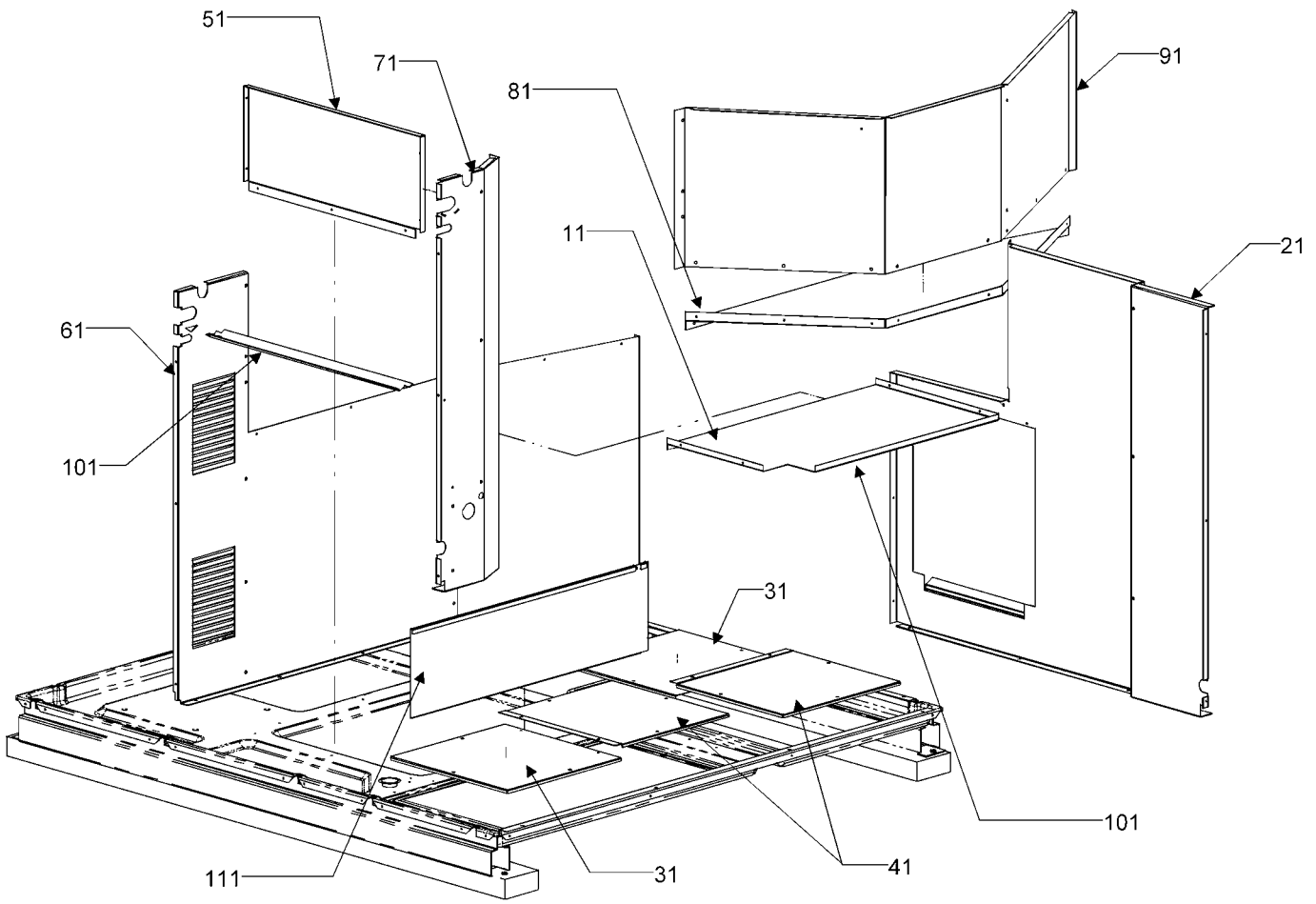
Outer Chassis



Outer Chassis

Ref. Part No:	Ref. Part No:	Description:	Description:	
<i>Image 1:</i>				
11	B19100100	GROMMET GAS LINE (QTY X)	131 20464203PDG CORNER-POST COMPRESSOR END W/PAINT 27" (M1, M2, M3)	
21	20464403PLG	PANEL-COND, LOUVERED W/PAINT 27" (M1, M2, M3)	131 20464201PDG CORNER-POST COMPRESSOR END W/PAINT 32" (M4, M5, M6, M7)	
21	20464401PLG	PANEL-COND, LOUVERED W/PAINT 32" (M4, M5, M6, M7)	131 20464202PDG CORNER-POST COMPRESSOR END W/PAINT 40" (M8, M9, M10, M11)	
21	20464402PLG	PANEL-COND, LOUVERED W/PAINT 40" (M8, M9, M10, M11)	141 20463901 BASEPAN (QTY X)	
31	20464811PDG	DOOR-BLOWER, W/PAINT 27" (M1, M2, M3)	151 20464001 BASEPAN RAILS (QTY 2)	
31	20464801PDG	DOOR-BLOWER, W/PAINT 32" (M4, M5, M6, M7)	NS 20513001 FITTING, DRAIN EVAP (QTY X)	
31	20464806PDG	DOOR-BLOWER, W/PAINT 40" (M8, M9, M10, M11)	NS 4322800 SHEILD-DRIP, EVAP (QTY X)	
41	20464812PDG	DOOR-EVAP/CONTROL, W/PAINT 27" (M1, M2, M3)	Expanded Model Nomenclature	
41	20464802PDG	DOOR-EVAP/CONTROL, W/PAINT 32" (M4, M5, M6, M7)	<div style="border: 1px solid black; padding: 5px;"> M1 - APG12240451A M2 - APG12240701A M3 - APG12300701A M4 - APG12360701A M5 - APG12360901A M6 - APG12420701A M7 - APG12420901A M8 - APG12480901A M9 - APG12481151A M10 - APG12600901A M11 - APG12601151A </div>	
41	20464807PDG	DOOR-EVAP/CONTROL, W/PAINT 40" (M8, M9, M10, M11)		
51	20464813PDG	DOOR-HEAT EXCHANGER, W/PAINT 27" (M1, M2, M3)		
51	20464803PDG	DOOR-HEAT EXCHANGER, W/PAINT 32" (M4, M5, M6, M7)		
51	20464808PDG	DOOR-HEAT EXCHANGER, W/PAINT 40" (M8, M9, M10, M11)		
61	20464814PDG	DOOR-COMPRESSOR, W/PAINT 27" (M1, M2, M3)		
61	20464804PDG	DOOR-COMPRESSOR, W/PAINT 32" (M4, M5, M6, M7)		
61	20464809PDG	DOOR-COMPRESSOR, W/PAINT 40" (M8, M9, M10, M11)		
71	20467703PLG	DOOR-CONDENSOR, W/PAINT 27" LOUVERED (M1, M2, M3)		
71	20467701PLG	DOOR-CONDENSOR, W/PAINT 32" LOUVERED (M4, M5, M6, M7)		
71	20467702PLG	DOOR-CONDENSOR, W/PAINT 40" LOUVERED (M8, M9, M10, M11)		
81	20466103PDG	UTILITY PANEL, W/PAINT 27" (M1, M2, M3)		
81	20466101PDG	UTILITY PANEL, W/PAINT 32" (M4, M5, M6, M7)		
81	20466102PDG	UTILITY PANEL, W/PAINT 40" (M8, M9, M10, M11)		
91	20465003PDG	DUCT, PANEL W/PAINT 27" (M1, M2, M3)		
91	20465001PDG	DUCT, PANEL W/PAINT 32" (M4, M5, M6, M7)		
91	20465002PDG	DUCT, PANEL W/PAINT 40" (M8, M9, M10, M11)		
101	20464103	POST-PANEL SUPPORT 28" (QTY 2) (M1, M2, M3)		
101	20464101	POST-PANEL SUPPORT 32" (QTY2) (M4, M5, M6, M7)		
101	20464102	POST-PANEL SUPPORT 38" (QTY 2) (M8, M9, M10, M11)		
111	20464501PDG	COVER-DUCT BACK W/PAINT 27" & 32" (M1, M2, M3, M4, M5, M6, M7)		
111	20464502PDG	COVER-DUCT BACK W/PAINT 40" (M8, M9, M10, M11)		
121	20464303PDG	CORNER-POST HAIRPIN END W/PAINT 27" (M1, M2, M3)		
121	20464301PDG	CORNER-POST HAIRPIN END W/PAINT 32" (M4, M5, M6, M7)		
121	20464302PDG	CORNER-POST HAIRPIN END W/PAINT 40" (M8, M9, M10, M11)		

Partition Panels



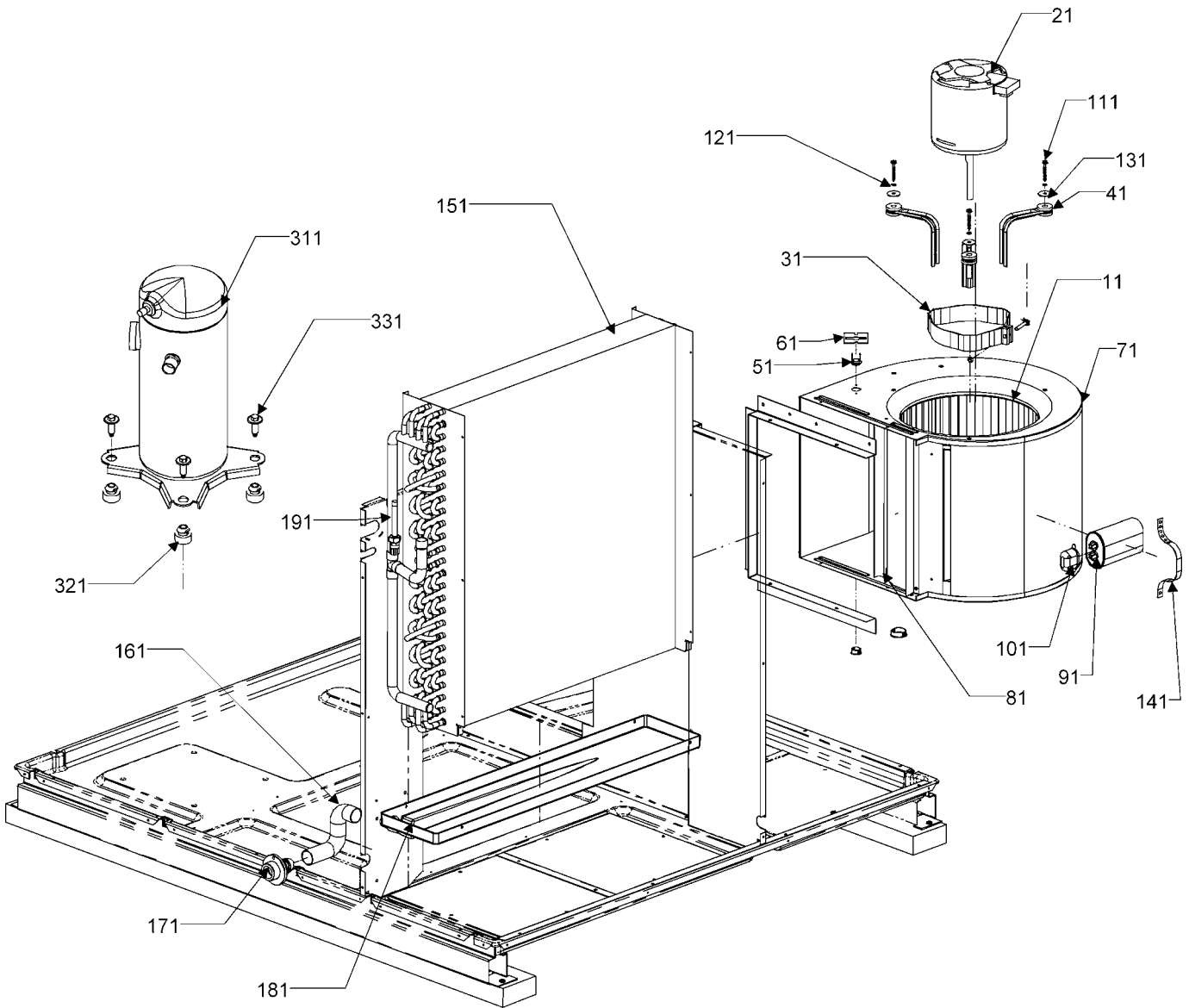
Partition Panels

Ref. Part No:	No:	Description:	Ref. Part No:	No:	Description:
<i>Image 1:</i>					
11	20472501	SHEILD, HT. EXCH. TUBES (QTY X)			
21	20465303	DIVIDER-BLOWER 28" (M1, M2, M3)			
21	20465301	DIVIDER-BLOWER 32" (M6, M7)			
21	20465304	DIVIDER-BLOWER 32" (10 X 9) (M4, M5)			
21	20465302	DIVIDER-BLOWER 38" (M8, M9, M10, M11)			
31	20464601	COVER-DUCT DOWN BOTTOM (QTY 2)			
41	20464701	COVER-DUCT DOWN TOP (QTY 2)			
51	20465201	PANEL-FILLER, HT. EXCH. (M4, M5, M6, M7)			
51	20465202	PANEL-FILLER, HT. EXCH. (M8, M9, M10, M11)			
51	20465203	PANEL-FILLER, HT. EXCH. (M1, M2, M3)			
61	20465403	PARTITION PANEL 28" (M1, M2, M3)			
61	20465401	PARTITION PANEL 32" (M4, M5, M6, M7)			
61	20465402	PARTITION PANEL 40" (M8, M9, M10, M11)			
71	20465501	DIVIDER, EVAP/HT. EXCH. (M4, M5, M6, M7)			
71	20465502	DIVIDER, EVAP/HT. EXCH. (M8, M9, M10, M11)			
71	20465503	DIVIDER, EVAP/HT. EXCH. (M1, M2, M3)			
81	20465701	SHELF-FAN PARTITION (QTY X)			
91	20465801	SURROUND-FAN (M4, M5, M6, M7)			
91	20465802	SURROUND-FAN (M8, M9, M10, M11)			
91	20465803	SURROUND-FAN (M1, M2, M3)			
101	20496801	CHANNEL-SUCT. TB DRAIN (QTY X)			
111	20463803	INSUL-BLOCK EVAP/BPAN 27" (M1, M2, M3)			
111	20463802	INSUL-BLOCK EVAP/BPAN 32" (M4, M5, M6, M7)			
111	20463801	INSUL-BLOCK EVAP/BPAN 40" (M8, M9, M10, M11)			

Expanded Model Nomenclature

- M1 - APG12240451A
- M2 - APG12240701A
- M3 - APG12300701A
- M4 - APG12360701A
- M5 - APG12360901A
- M6 - APG12420701A
- M7 - APG12420901A
- M8 - APG12480901A
- M9 - APG12481151A
- M10 - APG12600901A
- M11 - APG12601151A

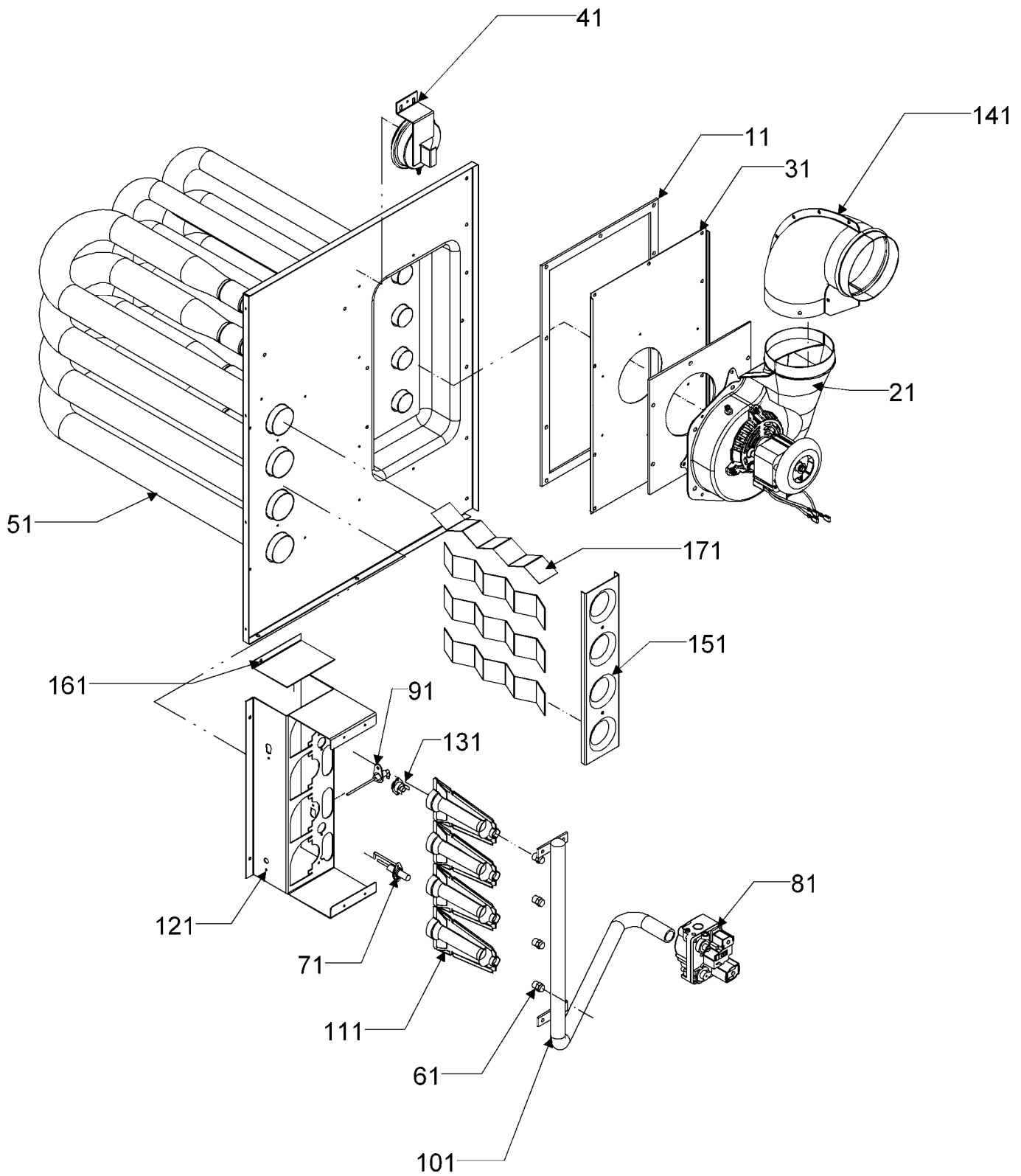
Compressor / Blower Assy



Compressor / Blower Assy

Ref. Part No:	Ref. Part No:	Description:	Description:	
<i>Image 1:</i>				
11	B1368016	BLOWER WHEEL (10 X 8) (M1, M2, M3)	321 B1339530 GROMMET, COMPRESSOR (QTY 4) (M1, M2, M3, M4, M5)	
11	D6723303	BLOWER WHEEL (10 X 9) (M4, M5)	321 B1339533 GROMMET, COMPRESSOR (QTY 4) (M6, M7, M8, M9, M10, M11)	
11	B1368000	BLOWER WHEEL (11 X 10) (M6, M7, M8, M9, M10, M11)	331 B1393736 COMPRESSOR SHOULDER BOLTS (QTY 4)	
21	11119203	MOTOR-EVAP, 1/3 HP, 4 SPEED (M1, M2, M3, M4, M5)	NS 20478202 BAFFLE BLOWER (10 X 9) (INSIDE BLOWER SHELL) (M4, M5)	
21	20028601	MOTOR-EVAP, 3/4 HP, 4 SPEED (M8, M9, M10, M11)	NS B1219225 SINGLE-FLOW FILTER DRIER, STEEL (QTY X)	
21	20028603	MOTOR-EVAP, 3/4 HP, 4 SPEED (M6, M7)	Expanded Model Nomenclature	
31	B1376851	MOTOR, MOUNT BAND (M6, M7, M8, M9, M10, M11)	<div style="border: 1px solid black; padding: 5px;"> M1 - APG12240451A M2 - APG12240701A M3 - APG12300701A M4 - APG12360701A M5 - APG12360901A M6 - APG12420701A M7 - APG12420901A M8 - APG12480901A M9 - APG12481151A M10 - APG12600901A M11 - APG12601151A </div>	
41	B1376857	MOTOR, MOUNT ARMS (QTY 3) (M6, M7, M8, M9, M10, M11)		
51	20269903	LIMIT, AUTO-RESET (QTY X)		
61	2509503	BRACKET FOR ROLLOUT SWITCH (QTY X)		
71	2539310	BLOWER HOUSING (10 x 8) (M1, M2, M3)		
71	2539308	BLOWER HOUSING (10 X 9) (M4, M5)		
71	2539309	BLOWER HOUSING (11 X 10) (M6, M7, M8, M9, M10, M11)		
81	764740	BLOWER CUT-OFF (10 X 8) (M1, M2, M3)		
81	764742	BLOWER CUT-OFF (10 X 9) (M4, M5)		
81	1864703	BLOWER CUT-OFF (11 X 10) (M6, M7, M8, M9, M10, M11)		
91	B945653	CAPACITOR, 15/370 (QTY X)		
101	B821700	CAPACITOR, BOOT RUBBER (QTY X)		
111	B1393331	MACH SCREWS, ¼-20 TYPE F (QTY 3) (M1, M2, M3, M4, M5)		
111	B1393527	SCREW, HWH 14 X 1-½ (QTY 3) (M6, M7, M8, M9, M10, M11)		
121	B1392820	WASHER, SPLIT LOCK, ¼" (QTY 3)		
131	B1392918	WASHER, FLAT ¼" (QTY 3) (M6, M7, M8, M9, M10, M11)		
141	1284835	STRAP, CAPACITOR (QTY X)		
151	1262643	CRATED SERVICE EVAP COIL W/DRIER (M4, M5, M6, M7)		
151	1262646	CRATED SERVICE EVAP COIL W/DRIER (M1, M2)		
151	1262647	CRATED SERVICE EVAP COIL W/DRIER (M3)		
151	1262648	CRATED SERVICE EVAP COIL W/DRIER (M8, M9, M10, M11)		
161	20498303	DRAIN, TUBE 27" (M1, M2, M3)		
161	20498302	DRAIN, TUBE 32" (M4, M5, M6, M7)		
161	20498301	DRAIN, TUBE 40" (M8, M9, M10, M11)		
171	20513001	FITTING, DRAIN EVAP (QTY X)		
181	20464901	PAN-DRIP EVAP. COIL (QTY X)		
311	CR21K7PFV930	COMPRESSOR-CR21K7-PFV-230 (M1, M2)		
311	CR24K7PFV930	COMPRESSOR-CR24K7-PFV-230 (M3)		
311	CR31K7PFV930	COMPRESSOR-CR31K7-PFV-230 (M4, M5)		
311	ZR38KAPFV830	COMPRESSOR-ZR38KA-PFV-130 (M6, M7)		
311	ZR42K3PFV930	COMPRESSOR-ZR42K3-PFV-230 (M8, M9)		
311	ZR48K3PFV935	COMPRESSOR-ZR48K3-PFV-235 (M10, M11)		

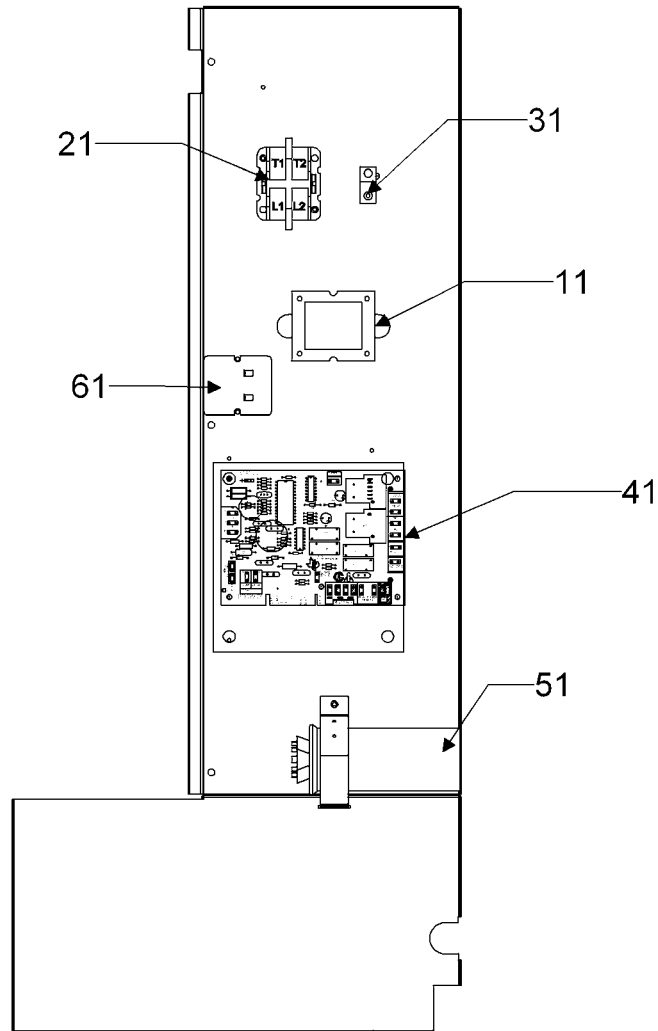
Heat Exchanger / Manifold / Gas Valve



Heat Exchanger / Manifold / Gas Valve

Ref. Part No:	Part No:	Description:	Ref. Part No:	Part No:	Description:
<i>Image 1:</i>			151	4028003	ORIFICE, PLATE, 5 CELL (M9, M11)
11	20462801	ID BLOWER GASKET (M1, M2, M3, M4, M5, M6, M7)	161	11190202	DEFLECTOR-HEAT, PKG (QTY 2 (QTY 2)
11	20463001	ID BLOWER GASKET (M8, M9, M10, M11)	171	10624003	INSERT-MESH TUBE (1 PER TUBE) (QTY X)
21	20484701S	ID BLOWER (QTY X)	Expanded Model Nomenclature		
31	20463101	PLATE-ID BLWR, 2-BURNER, SML (M1)	<div style="border: 1px solid black; padding: 5px;"> M1 - APG12240451A M2 - APG12240701A M3 - APG12300701A M4 - APG12360701A M5 - APG12360901A M6 - APG12420701A M7 - APG12420901A M8 - APG12480901A M9 - APG12481151A M10 - APG12600901A M11 - APG12601151A </div>		
31	20463102	PLATE-ID BLWR, 3 BURNER, SML (M2, M3, M4, M6)			
31	20463201	PLATE-ID BLWR, 4 BURNER, LRG (M8, M10)			
31	20463103	PLATE-ID BLWR, 4 BURNER, SML (M5, M7)			
31	20463202	PLATE-ID BLWR, 5 BURNER, LRG (M9, M11)			
41	11112501	SWITCH, PRESSURE (QTY X)			
51	4305013A	HEAT EXCHANGER (2 CELL) SML (M1)			
51	4305023A	HEAT EXCHANGER (3 CELL) MED (M4, M6)			
51	4305014A	HEAT EXCHANGER (3 CELL) SML (M2, M3)			
51	4305017A	HEAT EXCHANGER (4 CELL) LRG (M8, M10)			
51	4305016A	HEAT EXCHANGER (4 CELL) MED (M5, M7)			
51	4305018A	HEAT EXCHANGER (5 CELL) LRG (M9, M11)			
61	B4089343	ORIFICE (QTY 2) (M1)			
61	B4089343	ORIFICE (QTY 3) (M2, M3, M4, M6)			
61	B4089343	ORIFICE (QTY 4) (M5, M7, M8, M10)			
61	B4089343	ORIFICE (QTY 5) (M9, M11)			
71	20261709S	IGNITOR (QTY X)			
81	B1282628	GAS VALVE (QTY X)			
91	20488501	SENSOR, FLAME (QTY X)			
101	20493101	MANIFOLD, (2 CELL) SML (M1)			
101	20493103	MANIFOLD, (3 CELL) MED (M4, M6)			
101	20493102	MANIFOLD, (3 CELL) SML (M2, M3)			
101	20493105	MANIFOLD, (4 CELL) LRG (M8, M10)			
101	20493104	MANIFOLD, (4 CELL) MED (M5, M7)			
101	20493106	MANIFOLD, (5 CELL) LRG (M9, M11)			
111	10735102	BECKETT-BURNER (QTY 2) (M1)			
111	10735102	BECKETT-BURNER (QTY 3) (M2, M3, M4, M6)			
111	10735102	BECKETT-BURNER (QTY 4) (M5, M7, M8, M10)			
111	10735102	BECKETT-BURNER (QTY 5) (M9, M11)			
121	20190410	BRACKET, BURNER 2 CELL (M1)			
121	20190411	BRACKET, BURNER 3 CELL (M2, M3, M4, M6)			
121	20190412	BRACKET, BURNER 4 CELL (M5, M7, M8, M10)			
121	20190413	BRACKET, BURNER 5 CELL (M9, M11)			
131	10123529	LIMIT, MANUAL RESET (M5, M7, M8, M9, M10, M11)			
131	10123539	LIMIT, MANUAL RESET (M1, M2, M3, M4, M6)			
141	20484402	ELBOW-FLUE,LEFT (QTY X)			
141	20484401	ELBOW-FLUE,RIGHT (QTY X)			
151	4028000	ORIFICE, PLATE, 2 CELL (M1)			
151	4028001	ORIFICE, PLATE, 3 CELL (M2, M3, M4, M6)			
151	4028002	ORIFICE, PLATE, 4 CELL (M5, M7, M8, M10)			

Control Panel



Control Panel

Ref. Part No: No:	Description:	Ref. Part No: No:	Description:
-------------------	--------------	-------------------	--------------

Image 1:

11	B1141643	TRANSFORMER (QTY X)
21	B1360321	CONTACTOR, 25 AMP, 1P (M1, M2, M3, M4, M5, M6, M7)
21	B1360324	CONTACTOR, 30 AMP, 1P (M8)
21	B1360305	CONTACTOR, 40 AMP, 1P (M9, M10, M11)
31	B1378533	LUG, GROUND SMALL (QTY X)
41	B1809918S	INTEGRATED DSI MODULE (QTY X)
51	B94578700	CAPACITOR, 30/5/370 (M1, M2)
51	B94575400	CAPACITOR, 35/5/440 (M4, M5)
51	B94575500	CAPACITOR, 40/5/370 (M3)
51	B94575900	CAPACITOR, 55/5/370 (M6, M7)
51	B94577500	CAPACITOR, 60/5/370 (M8, M9)
51	B94578800	CAPACITOR, 60/5/440 (M10, M11)
61	10728342	LIMIT SWITCH 150°F (M1)
61	10728343	LIMIT SWITCH 160°F (M2, M3, M4, M5, M6, M7, M8, M9, M10, M11)

Expanded Model Nomenclature

M1 - APG12240451A
M2 - APG12240701A
M3 - APG12300701A
M4 - APG12360701A
M5 - APG12360901A
M6 - APG12420701A
M7 - APG12420901A
M8 - APG12480901A
M9 - APG12481151A
M10 - APG12600901A
M11 - APG12601151A