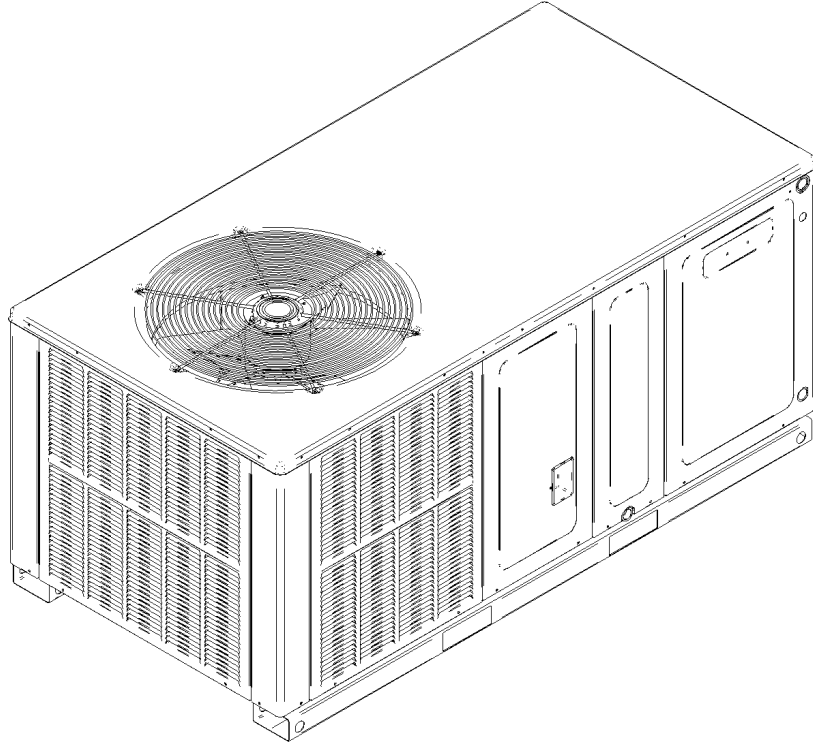


APC15 Horizontal Package Cooling Units

APC1524H41AA
APC1524H41AB
APC1530H41AA
APC1530H41AB
APC1536H41AA
APC1536H41AB
APC1542H41AA
APC1542H41AB
APC1548H41AA
APC1548H41AB
APC1560H41AA
APC1560H41AB



Amana® is a registered trademark of Maytag Corporation or its related companies and is used under license. All rights reserved.

This manual is to be used by qualified technicians only.

This manual replaces RP-A3010.

© 2015-2016 Goodman Company, L.P. ♦ 5151 San Felipe St., Suite 500 ♦ Houston, TX 77056

Important Information

Index

Functional Parts List	3
Illustration and Parts	4 - 13

Views shown are for parts illustrations only, not servicing procedures

Text Codes:

AR - As Required

NA - Not Available

NS - Not Shown

00000000 - See Note

QTY - Quantity Example (QTY 3) (If Quantity not shown, Quantity = 1)

M - Model Example (M1) (If M Code not shown, then part is used on all Models)

Expanded Model Nomenclature:

Example M1 - Model#1 M2 - Model#2 M3 - Model#3

Goodman Company, L.P. is not responsible for personal injury or property damage resulting from improper service. Review all service information before beginning repairs.

Warranty service must be performed by an authorized technician, using authorized factory parts. If service is required after the warranty expires, Goodman Company, L.P. also recommends contacting an authorized technician and using authorized factory parts.

Goodman Company, L.P. reserves the right to discontinue, or change at any time, specifications or designs without notice or without incurring obligations.

For assistance within the U.S.A. contact:

Consumer Affairs Department

Goodman Company, L.P.

7401 Security Way

Houston, Texas 77040

877-254-4729-Telephone

713-863-2382-Facsimile

For assistance outside the U.S.A. contact:

International Division

Goodman Company, L.P.

7401 Security Way

Houston, Texas 77040

713-861-2500-Telephone

713-863-2382-Facsimile

Functional Parts

Part

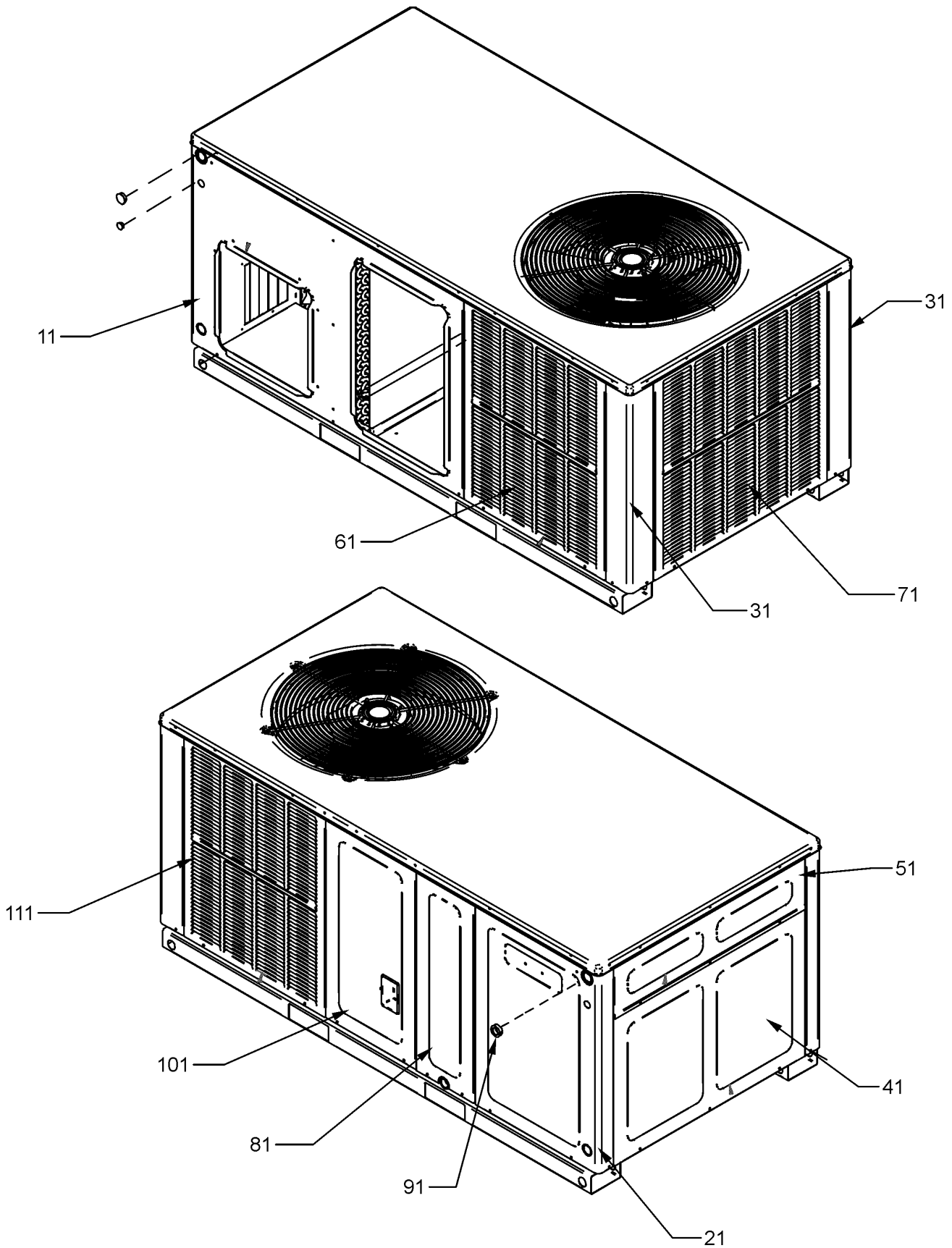
No: Description:

B1368016	BLOWER WHEEL 10 X 8
CAP050350440CS	CAPACITOR 5/35/440V (M1, M2)
CAP050400440CT	CAPACITOR 5/40/440V/DUAL RD (M3, M4, M5, M6, M11, M12)
CAP050450440CT	CAPACITOR 5/45/440V/DUAL RD (M7, M8, M9, M10)
ZPS51K5EPFV130	COMP, 51900/208/230/60/1 (M11, M12)
ZP20K5EPFV130	COMPRESSOR 20000, 208/230/60/1 (M1, M2)
ZP25K5EPFV130	COMPRESSOR 25200, 208/230/60/1 (M3, M4)
ZP31K5EPFV130	COMPRESSOR 31100, 208/230/60/1 (M5, M6)
ZP34K5EPFV130	COMPRESSOR 34500, 208/230/60/1 (M7, M8)
ZP39K5EPFV130	COMPRESSOR 39000, 208/230/60/1 (M9, M10)
0131M00061	COND MOTOR 1/4 HP, 1 SP, 8 PL (M5, M6)
0131M00429	COND MOTOR 1/4 HP, 1 SP, 6 PL (M7, M8, M9, M10, M11, M12)
0131M00009P	COND MOTOR 1/6 HP, 1 SP, 8 PL (M1, M2, M3, M4)
CONT1P025024V	CONTACTOR 25 AMP, 1P, 24V (M1, M2, M3, M4, M5, M6)
CONT1P030024V	CONTACTOR 30 AMP, 1P, 24V (M7, M8, M9, M10)
CONT2P040024V	CONTACTOR 40 AMP, 2P, 24V (M11, M12)
0130M00074	CUT-OUT SWITCH, HIGH PRESSURE (M11, M12)
0150G00005	FAN BLADE (M1, M2, M3, M4)
0150G00004	FAN BLADE (M7, M8, M9, M10, M11, M12)
B1086765	FAN BLADE TYPE 3 (M5, M6)
PCBEM102	PCB, ECM PRIMARY, VSTB
0131M00701	PROGRAMMED MOTOR (M1, M2)
0131M00702	PROGRAMMED MOTOR (M3, M4)
0131M00703	PROGRAMMED MOTOR (M5, M6)
0131M00704	PROGRAMMED MOTOR (M7, M8)
0131M00705	PROGRAMMED MOTOR (M9, M10)
0131M00723	PROGRAMMED MOTOR (M11, M12)
0130M00242	RELAY, 24V (M11, M12)
0130M00138	TRANSFORMER 208/230, 24V
0151M00050	VALVE, NXT (M11, M12)

Expanded Model Nomenclature

M1 - APC1524H41AA
M2 - APC1524H41AB
M3 - APC1530H41AA
M4 - APC1530H41AB
M5 - APC1536H41AA
M6 - APC1536H41AB
M7 - APC1542H41AA
M8 - APC1542H41AB
M9 - APC1548H41AA
M10 - APC1548H41AB
M11 - APC1560H41AA
M12 - APC1560H41AB

Cabinet Assembly



Cabinet Assembly

Ref. Part No: No:	Description:	Ref. Part No: No:	Description:
-------------------	--------------	-------------------	--------------

Image 1:

11	0121G00667PDG	DUCT PANEL 27.5" (M1, M2, M3, M4, M5, M6)
11	0121G00670DG	DUCT PANEL 27.5" (M7, M8)
11	0121G00668PDG	DUCT PANEL 32.5" (M9, M10, M11, M12)
21	0121G00664DG	CORNER PANEL 27.5" (M1, M2, M3, M4, M5, M6, M7, M8)
21	0121G00665DG	CORNER PANEL 32.5" (M9, M10, M11, M12)
31	0121G00047PDG	CORNER POST 27.5" (M3, M4, M5, M6, M7, M8)
31	0121G00048PDG	CORNER POST 32.5" (M9, M10, M11, M12)
31	0121G00516DG	CORNER POST, 27.5" (M1, M2)
41	0121G00271DG	EXTERNAL BLOWER PANEL 27.5" (M1, M2, M3, M4, M5, M6, M7, M8)
41	0121G00272DG	EXTERNAL BLOWER PANEL 32.5" (M9, M10, M11, M12)
51	0121G00276DG	EXTERNAL CONTROL BOX PANEL (M1, M2)
61	0121G00069PLG	LOUVERED PANEL 4 BANK 27.5" (M3, M4, M5, M6, M7, M8)
61	0121G00070PLG	LOUVERED PANEL 4 BANK 32.5" (M9, M10, M11, M12)
61	0121G00517DG	PNL, NO LVR 27.5" PAINTED (M1, M2)
71	0121G00072PLG	LOUVERED PANEL 5 BANK 27.5" (M1, M2, M3, M4, M5, M6, M7, M8)
71	0121G00073PLG	LOUVERED PANEL 5 BANK 32.5" (M9, M10, M11, M12)
81	0121G00065PDG	EVAP PANEL 8.75" X 27.5" (M1, M2, M3, M4, M5, M6, M7, M8)
81	0121G00066PDG	EVAP PANEL 8.75" X 32.5" (M9, M10, M11, M12)
91	B1392012	GROMMET / HS 1.0 - .79
101	0121G00711DG	COMPRESSOR PANEL (M2, M8)
101	0121G00712DG	COMPRESSOR PANEL (M10, M12)
101	0121G00713DG	COMPRESSOR PANEL (M4, M6)
101	0121G00062PDG	COMPRESSOR PANEL 13.68" X 27.50" (M3, M5)
101	0121G00060PDG	COMPRESSOR PANEL 8.75" X 32.50" (M9, M11)
101	0121G00059PDG	COMPRESSOR PANEL, 8.75" X 27.50" (M1, M7)
111	0121G00069PLG	LOUVERED PANEL 4 BANK 27.5" (M3, M4, M5, M6, M7, M8)
111	0121G00070PLG	LOUVERED PANEL 4 BANK 32.5" (M9, M10, M11, M12)
111	0121G00517DG	PNL, NO LVR 27.5" PAINTED (M1, M2)

Expanded Model Nomenclature

- | |
|--------------------|
| M1 - APC1524H41AA |
| M2 - APC1524H41AB |
| M3 - APC1530H41AA |
| M4 - APC1530H41AB |
| M5 - APC1536H41AA |
| M6 - APC1536H41AB |
| M7 - APC1542H41AA |
| M8 - APC1542H41AB |
| M9 - APC1548H41AA |
| M10 - APC1548H41AB |
| M11 - APC1560H41AA |
| M12 - APC1560H41AB |

Chassis Assembly

Image 1

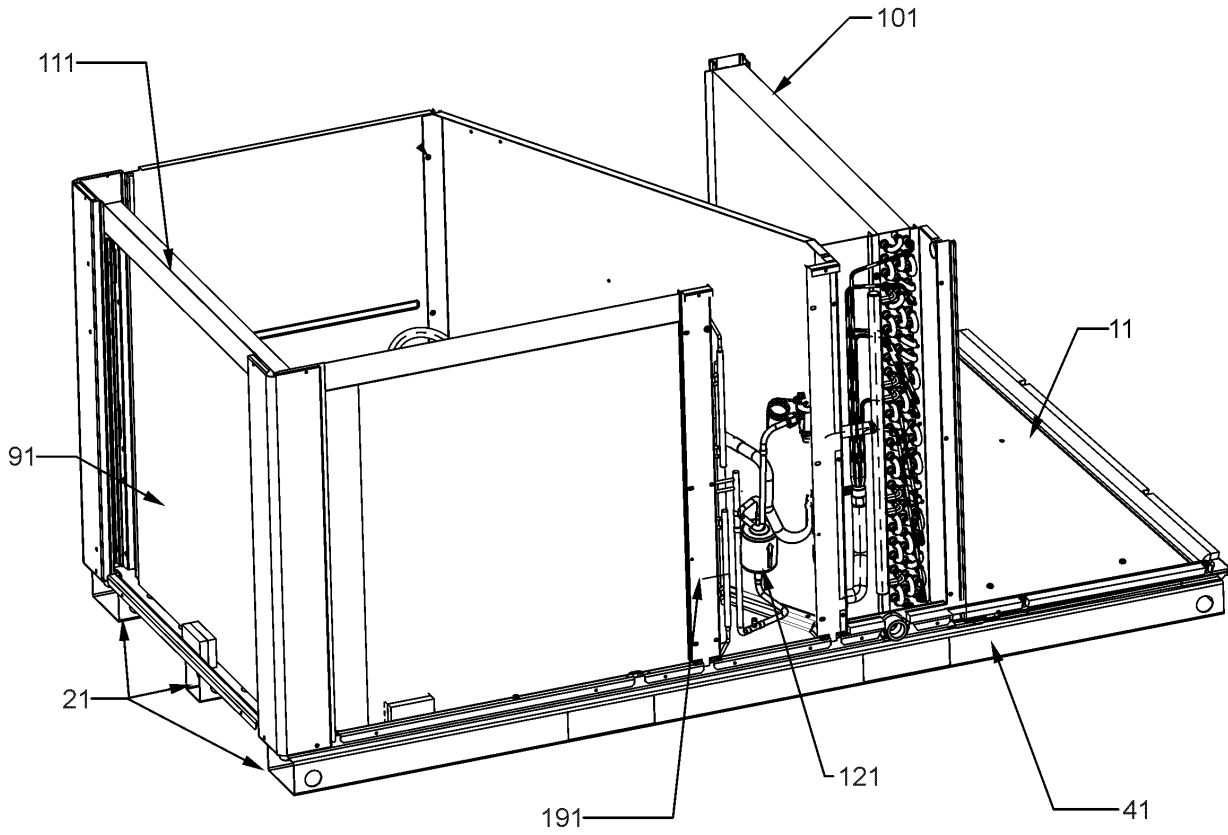
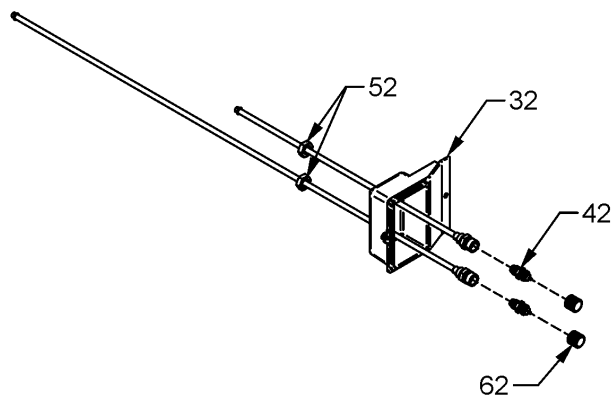


Image 2



Chassis Assembly

Ref. Part No: No:	Description:	Ref. Part No: No:	Description:
-------------------	--------------	-------------------	--------------

Image 1:

11	0121G00046P	INSULATED ASSY, BASEPAN
21	0121G00044PRF	BASEPAN RAIL (QTY 2)
41	0161G00000P	DRIP PAN
91	0201G00308	CONDENSER COIL ASSY (M1, M2)
91	0201G00334	CONDENSER COIL ASSY (M9, M10, M11, M12)
91	0201G00334	CONDENSER COIL ASSY (M9, M10, M11, M12)
91	0201G00382	CONDENSER COIL ASSY (M7, M8)
91	0201G00183	TUBING ASSY, COND COIL (M3, M4, M5, M6)
101	0202G00663	EVAP COIL TUBING ASSY (M11, M12)
101	0202G00690	EVAP COIL TUBING ASSY (M7, M8)
101	0202G00695	EVAP COIL TUBING ASSY (M9, M10)
101	0202G00696	EVAP COIL TUBING ASSY (M5, M6)
101	0202G00709	EVAP COIL TUBING ASSY (M1, M2)
101	0202G00710	EVAP COIL TUBING ASSY (M3, M4)
111	0121G00368	CONDENSER COIL BLOCKOFF (M3, M4, M5, M6)
111	0121G00372	CONDENSER COIL BLOCKOFF (M9, M10, M11, M12)
111	0121G00519	CONDENSER COIL BLOCKOFF (M1, M2)
111	0121G00624	CONDENSER COIL BLOCKOFF (M7, M8)
121	B1219212	SINGLE-FLOW FILTER DRIER, STEEL (M1, M2, M3, M4, M5, M6)
121	B1219225	SINGLE-FLOW FILTER DRIER, STEEL (M7, M8, M9, M10, M11, M12)
191	0121G00045P	POST 27.5" (M1, M2, M3, M4, M5, M6)
191	0121G00628	POST 27.5" (M7, M8)
191	0121G00565	POST 32.5" (M9, M10, M11, M12)
NS	0130M00074	CUT-OUT SWITCH, HIGH PRESSURE (M11, M12)
NS	0128G00052	EVAP DRIP SHIELD
NS	0162M00305	FLOWRATOR, AL (M9, M10)
NS	0162M00320	FLOWRATOR, AL (M7, M8)
NS	0162M00326	FLOWRATOR, AL (M5, M6)
NS	0162M00327	FLOWRATOR, AL (M3, M4)
NS	0162M00363	FLOWRATOR, AL (M1, M2)
NS	0151M00050	VALVE, NXT (M11, M12)

Image 2:

32	0161G00008	ACCESS-FITTING BOX (M1, M3, M5, M7, M9, M11)
42	B1373315	ACCESS FITTING (QTY 2)
52	0163G00000P	FASTEST FITTING NUT (M1, M3, M5, M7, M9, M11)
62	0163M00175	CAP WITH O-RING (QTY 2)

Expanded Model Nomenclature

- M1 - APC1524H41AA
- M2 - APC1524H41AB
- M3 - APC1530H41AA
- M4 - APC1530H41AB
- M5 - APC1536H41AA
- M6 - APC1536H41AB
- M7 - APC1542H41AA
- M8 - APC1542H41AB
- M9 - APC1548H41AA
- M10 - APC1548H41AB
- M11 - APC1560H41AA
- M12 - APC1560H41AB

Compressor and Top Panel Assembly

Image 1

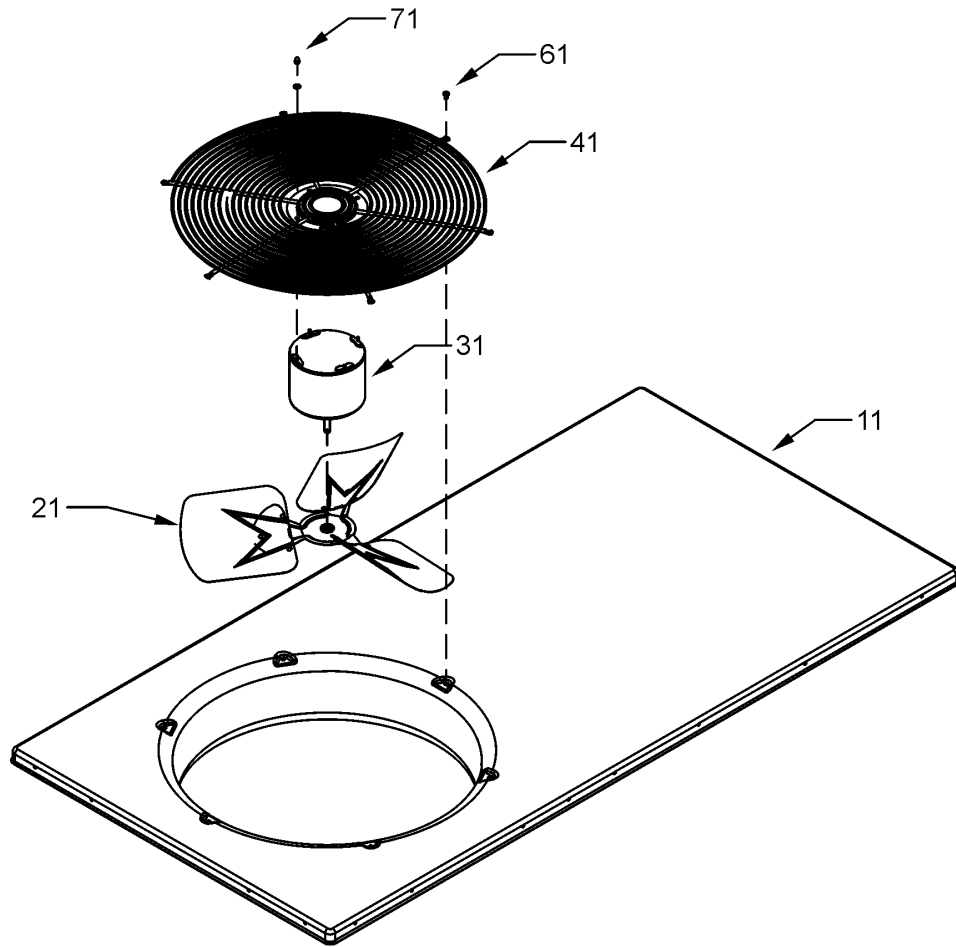
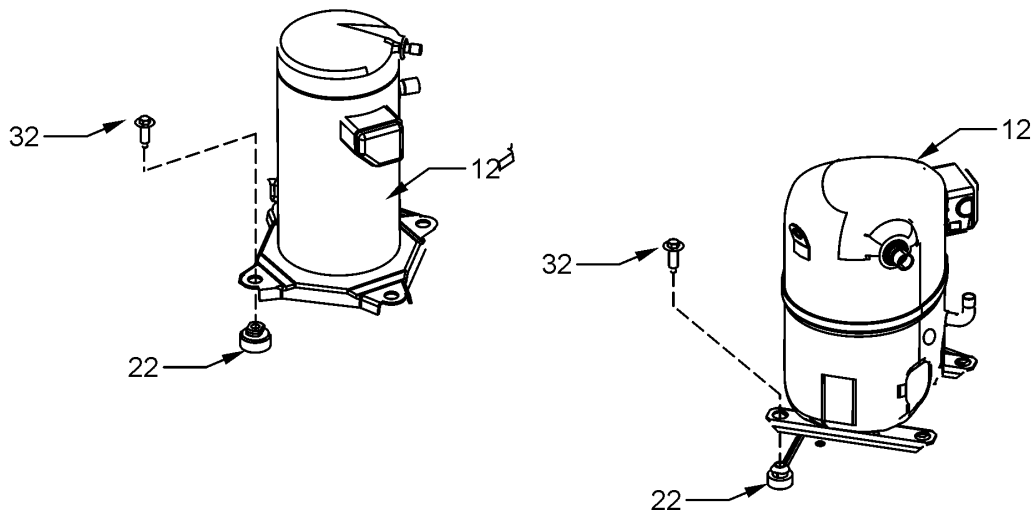


Image 2



Compressor and Top Panel Assembly

Ref. Part No: No:	Description:	Ref. Part No: No:	Description:
-------------------	--------------	-------------------	--------------

Image 1:

11	0121G00274DG	TOP PANEL PAINTED
21	0150G00004	FAN BLADE (M7, M8, M9, M10, M11, M12)
21	0150G00005	FAN BLADE (M1, M2, M3, M4)
21	B1086765	FAN BLADE TYPE 3 (M5, M6)
31	0131M00061	COND MOTOR 1/4 HP, 1 SP, 8 PL (M5, M6)
31	0131M00429	COND MOTOR 1/4 HP, 1 SP, 6 PL (M7, M8, M9, M10, M11, M12)
31	0131M00009P	COND MOTOR 1/6 HP, 1 SP, 8 PL (M1, M2, M3,
41	0152G00003	FAN GRILLE
61	M0221817	SMALL SCREW (QTY 4)
71	0163M00006P	ACORN NUT 5/16 HEX BLACK (QTY 4)
NS	17788000083F	PVC CONDUIT 8.25"

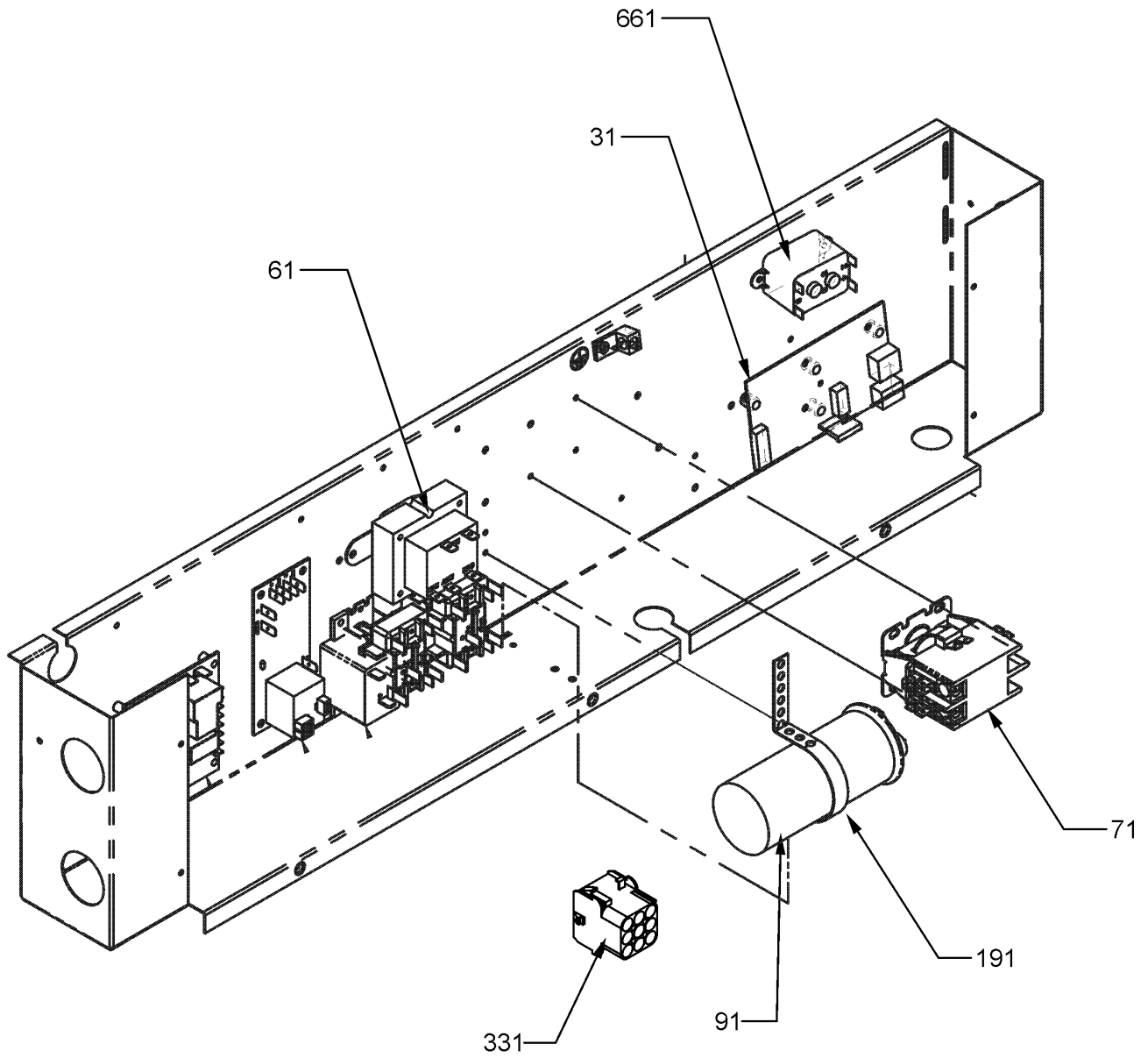
Image 2:

12	ZPS51K5EPFV130	COMP, 51900/208/230/60/1 (M11, M12)
12	ZP20K5EPFV130	COMPRESSOR 20000, 208/230/60/1 (M1, M2)
12	ZP25K5EPFV130	COMPRESSOR 25200, 208/230/60/1 (M3, M4)
12	ZP31K5EPFV130	COMPRESSOR 31100, 208/230/60/1 (M5, M6)
12	ZP34K5EPFV130	COMPRESSOR 34500, 208/230/60/1 (M7, M8)
12	ZP39K5EPFV130	COMPRESSOR 39000, 208/230/60/1 (M9, M10)
22	B1339530	COMPRESSOR GROMMET (M1, M2)
22	B1339533	COMPRESSOR GROMMET (M3, M4, M5, M6, M7, M8, M9, M10, M11, M12)
32	M0221641	TF SHOULDER SCREW (QTY 4)
NS	0159G00004	COMPRESSOR SCROLL HARNESS
NS	B1488806	COMPRESSOR SOUND BLANKET (M7, M8, M9, M10, M11, M12)
NS	B1488807	COMPRESSOR SOUND BLANKET (M1, M2, M3, M4, M5, M6)

Expanded Model Nomenclature

- | |
|--------------------|
| M1 - APC1524H41AA |
| M2 - APC1524H41AB |
| M3 - APC1530H41AA |
| M4 - APC1530H41AB |
| M5 - APC1536H41AA |
| M6 - APC1536H41AB |
| M7 - APC1542H41AA |
| M8 - APC1542H41AB |
| M9 - APC1548H41AA |
| M10 - APC1548H41AB |
| M11 - APC1560H41AA |
| M12 - APC1560H41AB |

Control Box Assembly



Control Box Assembly

Ref. Part No:	Part No:	Description:	Ref. Part No:	Part No:	Description:
---------------	----------	--------------	---------------	----------	--------------

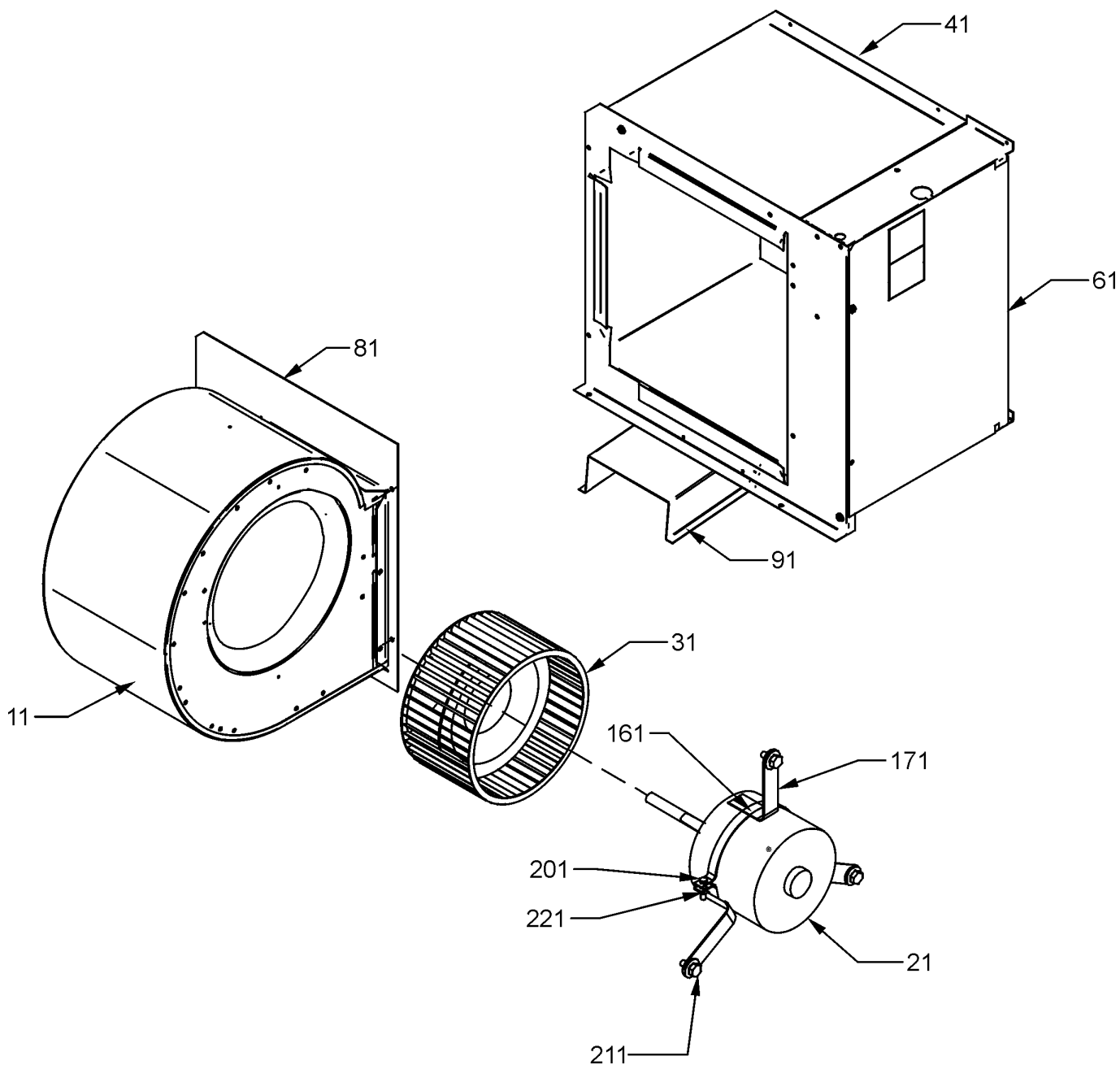
Image 1:

31	PCBEM102	PCB, ECM PRIMARY, VSTB
61	0130M00138	TRANSFORMER 208/230, 24V
71	CONT1P025024V	CONTACTOR 25 AMP, 1P, 24V (M1, M2, M3, M4, M5, M6)
71	CONT1P030024V	CONTACTOR 30 AMP, 1P, 24V (M7, M8, M9, M10)
71	CONT2P040024V	CONTACTOR 40 AMP, 2P, 24V (M11, M12)
91	CAP050350440CS	CAPACITOR 5/35/440V (M1, M2)
91	CAP050400440CT	CAPACITOR 5/40/440V/DUAL RD (M3, M4, M5, M6, M11, M12)
91	CAP050450440CT	CAPACITOR 5/45/440V/DUAL RD (M7, M8, M9, M10)
191	20520901	CAPACITOR STRAP
331	0259G00216	WIRE HARNESS, ELECTRIC HEAT
661	0130M00242	RELAY, 24V (M11, M12)
NS	B1378701	WIRE HARNESS, HIGH VOLTAGE (5-PIN ECM)
NS	B1378700	WIRE HARNESS, LOW VOLTAGE (16-PIN ECM)

Expanded Model Nomenclature

- | |
|--------------------|
| M1 - APC1524H41AA |
| M2 - APC1524H41AB |
| M3 - APC1530H41AA |
| M4 - APC1530H41AB |
| M5 - APC1536H41AA |
| M6 - APC1536H41AB |
| M7 - APC1542H41AA |
| M8 - APC1542H41AB |
| M9 - APC1548H41AA |
| M10 - APC1548H41AB |
| M11 - APC1560H41AA |
| M12 - APC1560H41AB |

Blower Assembly



Blower Assembly

Ref. Part No:	No:	Description:	Ref. Part No:	No:	Description:
---------------	-----	--------------	---------------	-----	--------------

Image 1:

11	10324248	BLOWER HOUSING 10 X 8
21	0131M00701	PROGRAMMED MOTOR (M1, M2)
21	0131M00702	PROGRAMMED MOTOR (M3, M4)
21	0131M00703	PROGRAMMED MOTOR (M5, M6)
21	0131M00704	PROGRAMMED MOTOR (M7, M8)
21	0131M00705	PROGRAMMED MOTOR (M9, M10)
21	0131M00723	PROGRAMMED MOTOR (M11, M12)
31	B1368016	BLOWER WHEEL 10 X 8
41	0270G00025P	TRANSITION DUCT ASSY-ALL
61	0121G00039P	HEATER KIT COVER
81	0121G00035P	BLOWER MOUNT 10 X 8
91	0121G00040P	BLOWER SUPPORT
161	0121M00038	MOTOR MOUNT BAND
171	B1376853	MOTOR MOUNT ARM (QTY 3)
201	B1393323	MACHINE SCREW HWH 1/4-20 X 1-1/2 BZ
211	M0250565	TC SCREW 1.25" (QTY 3)
221	B1393800	LOCKNUT, NYLON, INSERT 1/4, 20
NS	C6121810	BLOWER CUT-OFF

Expanded Model Nomenclature

M1 - APC1524H41AA
M2 - APC1524H41AB
M3 - APC1530H41AA
M4 - APC1530H41AB
M5 - APC1536H41AA
M6 - APC1536H41AB
M7 - APC1542H41AA
M8 - APC1542H41AB
M9 - APC1548H41AA
M10 - APC1548H41AB
M11 - APC1560H41AA
M12 - APC1560H41AB