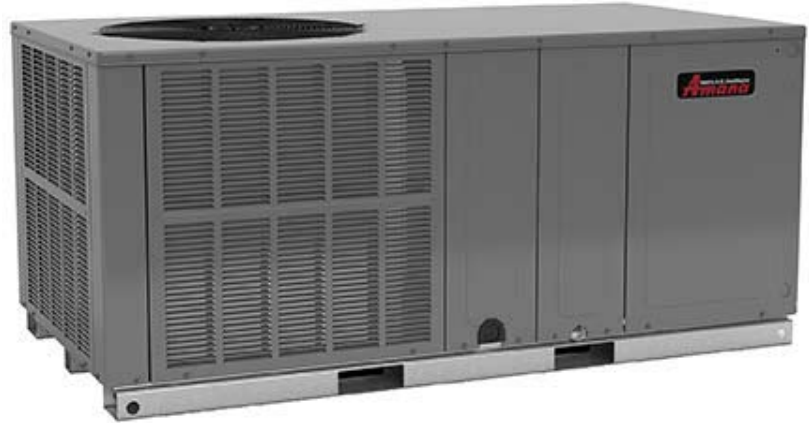


## APC14 Horizontal Package Cooling Units

APC1424H41EA  
APC1424H41EB  
APC1424H41EC  
APC1430H41EA  
APC1430H41EB  
APC1430H41EC  
APC1436H41DC  
APC1436H41DD  
APC1442H41EA  
APC1442H41EB  
APC1442H41EC  
APC1448H41EA  
APC1448H41EB  
APC1448H41EC  
APC1460H41EA  
APC1460H41EB  
APC1460H41EC



Amana® is a registered trademark of Maytag Corporation or its related companies and is used under license. All rights reserved.

This manual is to be used by qualified technicians only.

This manual replaces RP-A3004B.

© 2014 - 2016 , 2018 Goodman Company, L.P. ♦ 5151 San Felipe St, Suite 500 ♦ Houston, TX 77056

# Important Information

---

## Index

Functional Parts List .....	3
Illustration and Parts .....	4 - 13

*Views shown are for parts illustrations only, not servicing procedures*

### Text Codes:

AR - As Required

NA - Not Available

NS - Not Shown

00000000 - See Note

QTY - Quantity Example (QTY 3) (If Quantity not shown, Quantity = 1)

M - Model Example (M1) (If M Code not shown, then part is used on all Models)

### Expanded Model Nomenclature:

Example M1 - Model#1 M2 - Model#2 M3 - Model#3
---

Goodman Company, L.P. is not responsible for personal injury or property damage resulting from improper service. Review all service information before beginning repairs.

Warranty service must be performed by an authorized technician, using authorized factory parts. If service is required after the warranty expires, Goodman Company, L.P. also recommends contacting an authorized technician and using authorized factory parts.

Goodman Company, L.P. reserves the right to discontinue, or change at any time, specifications or designs without notice or without incurring obligations.

For assistance within the U.S.A. contact:

Homeowner Support  
Goodman Company, L.P.  
19001 Kermier Road  
Waller, Texas 77484  
877-254-4729-Telephone  
713-863-2382-Facsimile

For assistance outside the U.S.A. contact:

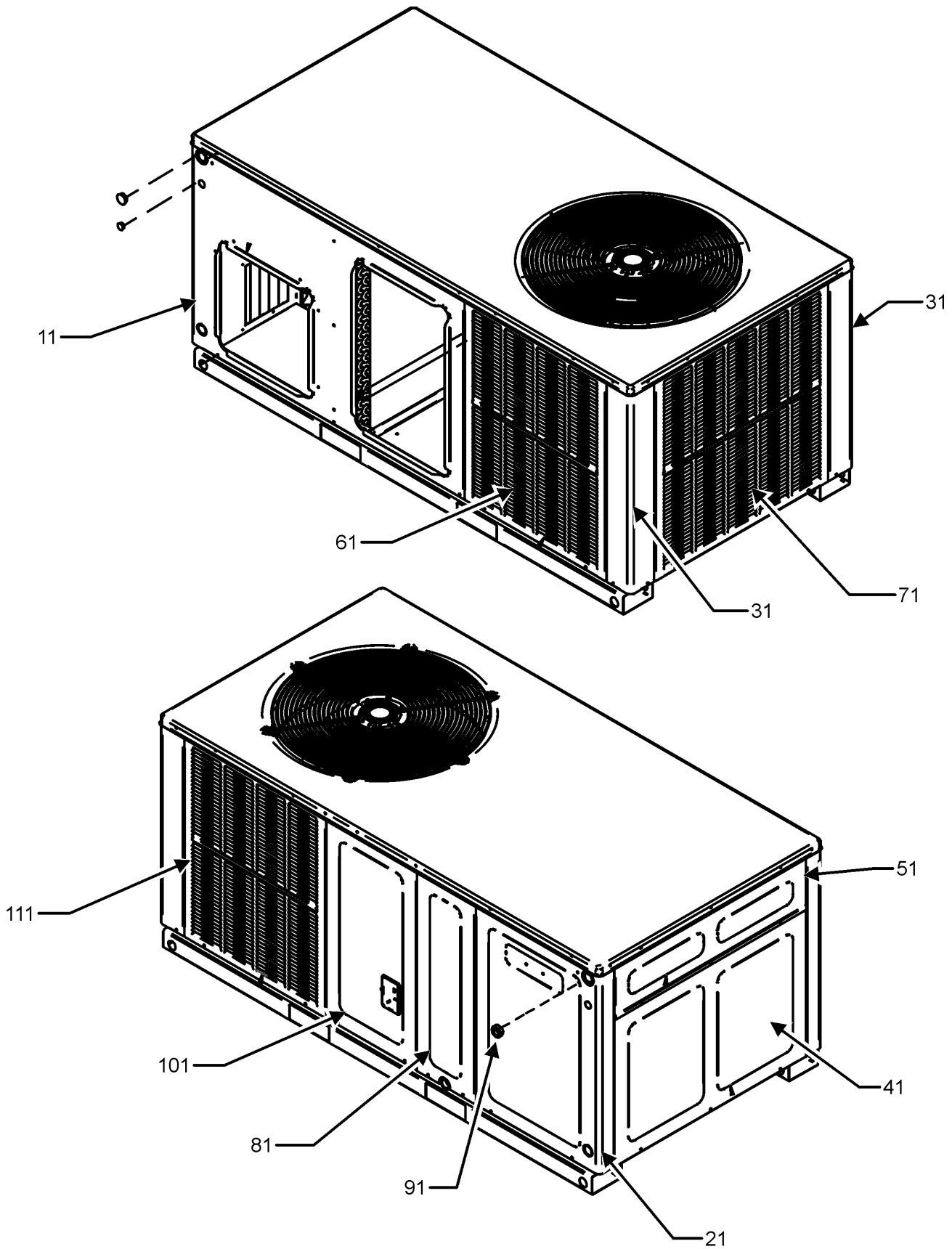
International Division  
Goodman Company, L.P.  
19001 Kermier Road  
Waller, Texas 77484  
713-861-2500-Telephone  
713-863-2382-Facsimile

# Functional Parts

**Part No:**            **Description:**

Part No:	Description:	Expanded Model Nomenclature
B1368016	BLOWER WHEEL 10 X 8 (M1, M2, M3, M4, M5, M6, M7, M8, M9, M10, M11, M12, M13, M14)	M1 - APC1424H41EA M2 - APC1424H41EB
B1368054	BLOWER WHEEL 11 X 8 (M15, M16, M17)	M3 - APC1424H41EC M4 - APC1430H41EA
CAP050350440CS	CAPACITOR 5/35/440V (M1, M2, M3)	M5 - APC1430H41EB M6 - APC1430H41EC
CAP050400440CT	CAPACITOR 5/40/440V/DUAL RD (M4, M5, M9, M10, M11, M12, M13, M14)	M7 - APC1436H41DC M8 - APC1436H41DD
CAP050450440CT	CAPACITOR 5/45/440V/DUAL RD (M7, M8, M9, M10, M11, M12, M13, M14)	M9 - APC1442H41EA M10 - APC1442H41EB
CAP050700440CT	CAPACITOR 5/70/440V/DUAL RD (M15, M16, M17)	M11 - APC1442H41EC M12 - APC1448H41EA
ZP20K5EPFV130	COMPRESSOR 20000, 208/230/60/1 (M1, M2, M3)	M13 - APC1448H41EB M14 - APC1448H41EC
ZP25K5EPFV130	COMPRESSOR 25200, 208/230/60/1 (M4, M5, M6)	M15 - APC1460H41EA M16 - APC1460H41EB
ZP31K5EPFV130	COMPRESSOR 31100, 208/230/60/1 (M7, M8)	M17 - APC1460H41EC
ZP34K5EPFV130	COMPRESSOR 34500, 208/230/60/1 (M9, M10, M11)	
ZP39K5EPFV130	COMPRESSOR 39000, 208/230/60/1 (M12, M13, M14)	
ZP51K5EPFV130	COMPRESSOR 51000, 208/230/60/1 (M15, M16, M17)	
0131M00009P	COND MOTOR 1/6 HP, 1 SP, 8 PL (M1, M2, M3, M4, M5, M6)	
CONT1P025024V	CONTACTOR 25 AMP, 1P, 24V (M1, M2, M3, M4, M5, M6, M7, M8)	
CONT1P030024V	CONTACTOR 30 AMP, 1P, 24V (M9, M10, M11, M12, M13, M14)	
CONT2P040024V	CONTACTOR 40 AMP, 2P, 24V (M15, M16, M17)	
0130M00074	CUT-OUT SWITCH, HIGH PRESSURE (M15, M16, M17)	
0150G00004	FAN BLADE (M9, M10, M11, M12, M13, M14, M15, M16, M17)	
B1086765	FAN BLADE TYPE 3 (M7, M8)	
0150M00055	FAN BLADE, 22" (M1, M2, M3, M4, M5, M6)	
0131M00847	MOTOR, 1/4 HP, 1 SP, 6 PL (M9, M10, M11, M12, M13, M14, M15, M16, M17)	
0131M00836	MOTOR, 1/4HP,1SP,8PL,AL (M7, M8)	
0131G00034	PROGRAMMED MOTOR (M9, M10, M11)	
0131G00035	PROGRAMMED MOTOR (M12, M13, M14)	
0131M00487	PROGRAMMED MOTOR (M1, M2, M3)	
0131M00489	PROGRAMMED MOTOR (M4, M5, M6)	
0131M00495	PROGRAMMED MOTOR (M15, M16, M17)	
0131M00596	PROGRAMMED MOTOR (M7, M8)	
0130M00138	TRANSFORMER 208/230, 24V	

# Cabinet Assembly

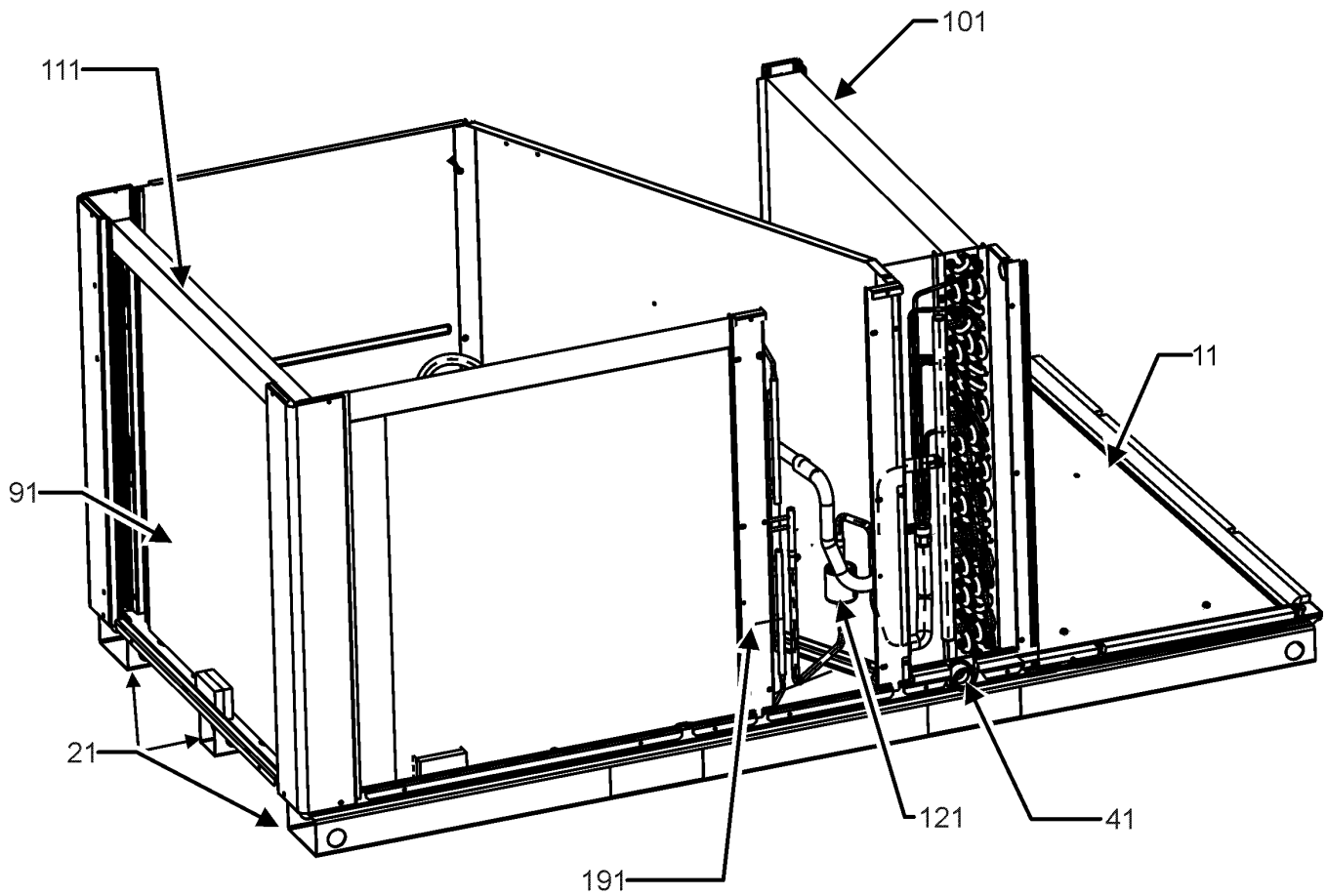


# Cabinet Assembly

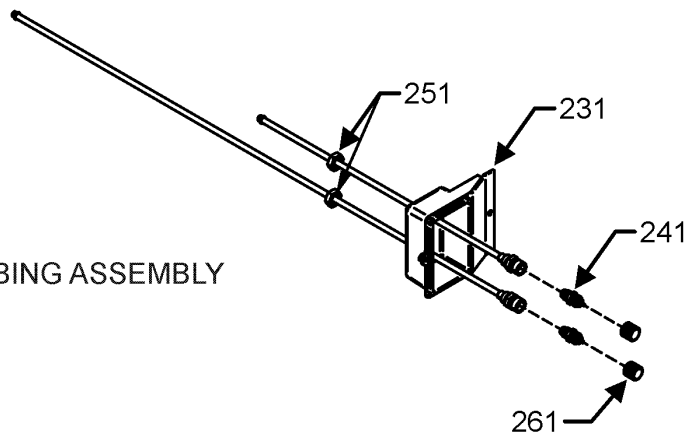
Ref. Part No: No:	Description:	Ref. Part No: No:	Description:
<b>Image 1:</b>		<b>Expanded Model Nomenclature</b>	
11	0121G00050PDG DUCT PANEL 27.5" (M1, M4, M9)	M1 - APC1424H41EA	
11	0121G00667PDG DUCT PANEL 27.5" (M2, M3, M5, M6, M7, M8, M10, M11)	M2 - APC1424H41EB	
11	0121G00051PDG DUCT PANEL 32.5" (M12, M15)	M3 - APC1424H41EC	
11	0121G00668PDG DUCT PANEL 32.5" (M13, M14, M16, M17)	M4 - APC1430H41EA	
21	0121G00521DG CORNER PANEL 27.5" (M1, M4, M9)	M5 - APC1430H41EB	
21	0121G00664DG CORNER PANEL 27.5" (M2, M3, M5, M6, M7, M8, M10, M11)	M6 - APC1430H41EC	
21	0121G00522DG CORNER PANEL 32.5" (M12, M15)	M7 - APC1436H41DC	
21	0121G00665DG CORNER PANEL 32.5" (M13, M14, M16, M17)	M8 - APC1436H41DD	
31	0121G00047PDG CORNER POST 27.5" (M7, M8, M9, M10, M11)	M9 - APC1442H41EA	
31	0121G00048PDG CORNER POST 32.5" (M12, M13, M14, M15, M16, M17)	M10 - APC1442H41EB	
31	0121G00516DG CORNER POST, 27.5" (M1, M2, M3, M4, M5, M6)	M11 - APC1442H41EC	
41	0121G00271DG EXTERNAL BLOWER PANEL 27.5" (M1, M2, M3, M4, M5, M6, M7, M8, M9, M10, M11)	M12 - APC1448H41EA	
41	0121G00272DG EXTERNAL BLOWER PANEL 32.5" (M12, M13, M14, M15, M16, M17)	M13 - APC1448H41EB	
51	0121G00276DG EXTERNAL CONTROL BOX PANEL	M14 - APC1448H41EC	
61	0121G00069PLG LOUVERED PANEL 4 BANK 27.5" (M7, M8, M9, M10, M11)	M15 - APC1460H41EA	
61	0121G00070PLG LOUVERED PANEL 4 BANK 32.5" (M12, M13, M14, M15, M16, M17)	M16 - APC1460H41EB	
61	0121G00517DG PNL, NO LVR 27.5" PAINTED (M1, M2, M3, M4, M5, M6)	M17 - APC1460H41EC	
71	0121G00072PLG LOUVERED PANEL 5 BANK 27.5" (M1, M2, M3, M4, M5, M6, M7, M8, M9, M10, M11)		
71	0121G00073PLG LOUVERED PANEL 5 BANK 32.5" (M12, M13, M14, M15, M16, M17)		
81	0121G00065PDG EVAP PANEL 8.75" X 27.5" (M1, M2, M3, M4, M5, M6, M7, M8, M9, M10, M11)		
81	0121G00066PDG EVAP PANEL 8.75" X 32.5" (M12, M13, M14, M15, M16, M17)		
91	B1392012 GROMMET / HS 1.0 - .79 (M1, M2, M4, M5, M7, M9, M10, M12, M13, M15, M16)		
101	0121G00711DG COMPRESSOR PANEL (M3, M6)		
101	0121G00712DG COMPRESSOR PANEL (M14, M17)		
101	0121G00713DG COMPRESSOR PANEL (M8, M11)		
101	0121G00062PDG COMPRESSOR PANEL 13.68" X 27.50" (M7, M9, M10)		
101	0121G00060PDG COMPRESSOR PANEL 8.75" X 32.50" (M12, M13, M15, M16)		
101	0121G00059PDG COMPRESSOR PANEL, 8.75" X 27.50" (M1, M2, M4, M5)		
111	0121G00517DG LOUVERED PANEL 27.5" (M1, M2, M3, M4, M5, M6)		
111	0121G00069PLG LOUVERED PANEL 4 BANK 27.5" (M7, M8, M9, M10, M11)		
111	0121G00070PLG LOUVERED PANEL 4 BANK 32.5" (M12, M13, M14, M15, M16, M17)		
NS	B1392012 GROMMET / HS 1.0 - .79 (M1, M2, M4, M5, M7, M9, M10, M12, M13, M15, M16)		
NS	0164G00005 GROMMET-HORSESHOE 1.675 (M3, M6, M8, M11, M14, M17)		

# Tubing Assembly

## TUBING ASSEMBLY



## PROCESS TUBING ASSEMBLY

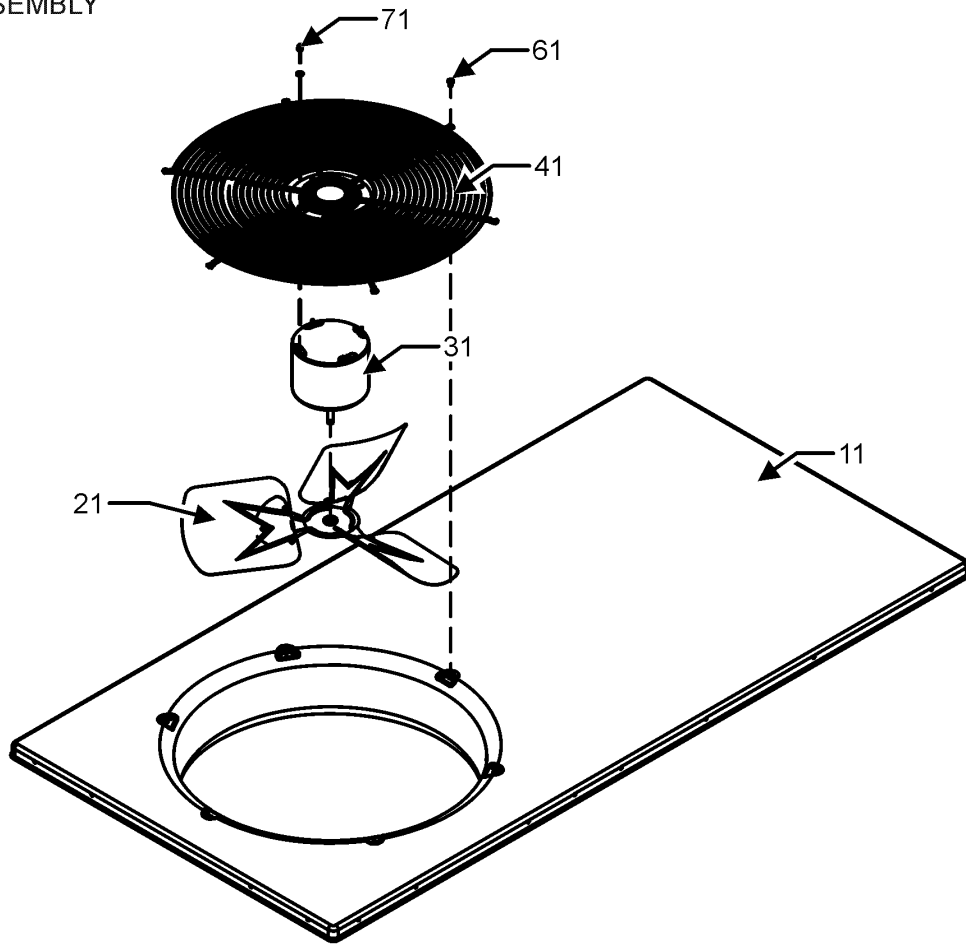


# Tubing Assembly

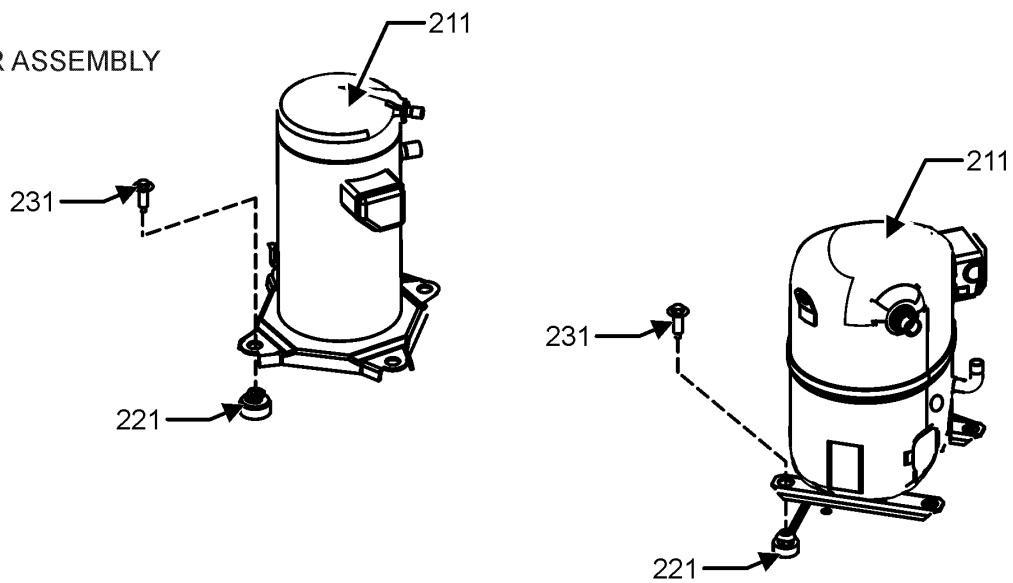
Ref. Part No: No:	Description:	Ref. Part No: No:	Description:
<b>Image 1:</b>		<b>Expanded Model Nomenclature</b>	
11	0121G00046P	INSULATED ASSY, BASEPAN	M1 - APC1424H41EA
21	0121G00044PRF	BASEPAN RAIL (QTY 2)	M2 - APC1424H41EB
41	0161G00000P	DRIP PAN	M3 - APC1424H41EC
91	0201G00188	CONDENSER COIL ASSY (M12, M13, M14)	M4 - APC1430H41EA
91	0201G00308	CONDENSER COIL ASSY (M1, M2, M3, M4, M5, M6)	M5 - APC1430H41EB
91	0201G00334	CONDENSER COIL ASSY (M15, M16, M17)	M6 - APC1430H41EC
91	0201G00183	TUBING ASSY, COND COIL (M7, M8, M9, M10, M11)	M7 - APC1436H41DC
101	0202G00462	EVAP COIL TUBING ASSY (M4)	M8 - APC1436H41DD
101	0202G00533	EVAP COIL TUBING ASSY (M9)	M9 - APC1442H41EA
101	0202G00534	EVAP COIL TUBING ASSY (M12)	M10 - APC1442H41EB
101	0202G00535	EVAP COIL TUBING ASSY (M15)	M11 - APC1442H41EC
101	0202G00552	EVAP COIL TUBING ASSY (M7, M8)	M12 - APC1448H41EA
101	0202G00626	EVAP COIL TUBING ASSY (M1)	M13 - APC1448H41EB
101	0202G00690	EVAP COIL TUBING ASSY (M10, M11)	M14 - APC1448H41EC
101	0202G00709	EVAP COIL TUBING ASSY (M2, M3)	M15 - APC1460H41EA
101	0202G00710	EVAP COIL TUBING ASSY (M5, M6)	M16 - APC1460H41EB
101	0202G00711	EVAP COIL TUBING ASSY (M13, M14)	M17 - APC1460H41EC
101	0202G00712	EVAP COIL TUBING ASSY (M16, M17)	
111	0121G00368	CONDENSER COIL BLOCKOFF (M7, M8, M9, M10, M11)	
111	0121G00372	CONDENSER COIL BLOCKOFF (M12, M13, M14, M15, M16, M17)	
111	0121G00519	CONDENSER COIL BLOCKOFF (M1, M2, M3, M4, M5, M6)	
121	B1219212	SINGLE-FLOW FILTER DRIER, STEEL (M1, M2, M3, M4, M5, M6, M7, M8)	
121	B1219225	SINGLE-FLOW FILTER DRIER, STEEL (M9, M10, M11, M12, M13, M14, M15, M16, M17)	
191	0121G00045P	POST 27.5" (M1, M2, M3, M4, M5, M6, M7, M8, M9, M10, M11)	
191	0121G00079P	POST 32.5" (M12, M13, M14, M15)	
191	0121G00565	POST 32.5" (M16, M17)	
231	0161G00008	ACCESS-FITTING BOX (M1, M2, M4, M5, M7, M9, M10, M12, M13, M15, M16)	
241	B1373315	ACCESS FITTING (M3, M6, M8, M11, M14, M17)	
251	0163G00000P	FASTEST FITTING NUT (M1, M2, M4, M5, M7, M9, M10, M12, M13, M15, M16)	
261	0163M00175	CAP WITH O-RING (M3, M6, M8, M11, M14, M17)	
NS	0130M00074	CUT-OUT SWITCH, HIGH PRESSURE (M15, M16, M17)	
NS	0128G00052	EVAP DRIP SHIELD	
NS	0162M00283	FLOWRATOR (M4)	
NS	0162M00332	FLOWRATOR (M15)	
NS	0162M00296	FLOWRATOR, AL (M7, M8)	
NS	0162M00298	FLOWRATOR, AL (M13, M14)	
NS	0162M00320	FLOWRATOR, AL (M10, M11)	
NS	0162M00327	FLOWRATOR, AL (M5, M6)	
NS	0162M00363	FLOWRATOR, AL (M2, M3)	
NS	0162M00367	FLOWRATOR, AL (M16, M17)	
NS	0162M00160	FLOWRATOR, ALUM W/ COPPER STUB (M1)	
NS	0162M00166	FLOWRATOR, ALUM W/ COPPER STUB (M9, M12)	

# Top Panel and Compressor Assembly

## TOP PANEL ASSEMBLY



## COMPRESSOR ASSEMBLY



# Top Panel and Compressor Assembly

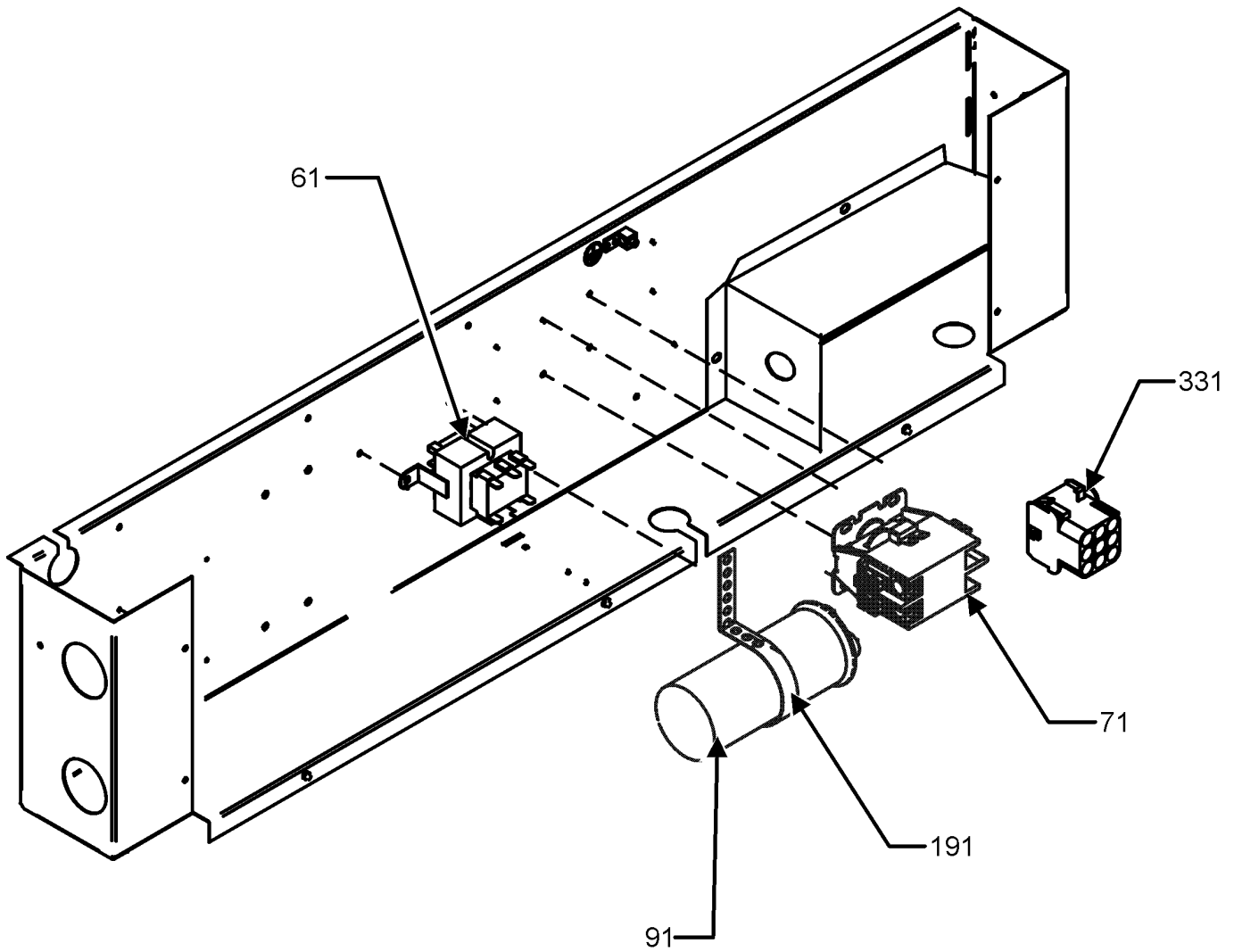
Ref. Part No:	Ref. Part No:	Description:	Description:
<b>Image 1:</b>			
11	0121G00274DG	TOP PANEL PAINTED	
21	0150G00004	FAN BLADE (M9, M10, M11, M12, M13, M14, M15, M16, M17)	
21	B1086765	FAN BLADE TYPE 3 (M7, M8)	
21	0150M00055	FAN BLADE, 22" (M1, M2, M3, M4, M5, M6)	
31	0131M00009P	COND MOTOR 1/6 HP, 1 SP, 8 PL (M1, M2, M3, M4, M5, M6)	
31	0131M00847	MOTOR, 1/4 HP, 1 SP, 6 PL (M9, M10, M11, M12, M13, M14, M15, M16, M17)	
31	0131M00836	MOTOR, 1/4HP,1SP,8PL,AL (M7, M8)	
41	0152G00003	FAN GRILLE	
61	M0221817	SMALL SCREW (QTY 4)	
71	0163M00006P	ACORN NUT 5/16 HEX BLACK (QTY 4)	
211	ZP20K5EPFV130	COMPRESSOR 20000, 208/230/60/1 (M1, M2, M3)	
211	ZP25K5EPFV130	COMPRESSOR 25200, 208/230/60/1 (M4, M5, M6)	
211	ZP31K5EPFV130	COMPRESSOR 31100, 208/230/60/1 (M7, M8)	
211	ZP34K5EPFV130	COMPRESSOR 34500, 208/230/60/1 (M9, M10, M11)	
211	ZP39K5EPFV130	COMPRESSOR 39000, 208/230/60/1 (M12, M13, M14)	
211	ZP51K5EPFV130	COMPRESSOR 51000, 208/230/60/1 (M15, M16, M17)	
221	B1339530	COMPRESSOR GROMMET (M1, M2, M3)	
221	B1339533	COMPRESSOR GROMMET (M4, M5, M6, M7, M8, M9, M10, M11, M12, M13, M14, M15, M16, M17)	
231	M0221641	TF SHOULDER SCREW (QTY 4)	
NS	0159G00004	COMPRESSOR SCROLL HARNESS	
NS	B1488806	COMPRESSOR SOUND BLANKET (M1, M2, M3, M4, M5, M6, M7)	
NS	B1488807	COMPRESSOR SOUND BLANKET (M8, M9, M10, M11, M12, M13, M14, M15, M16, M17)	
NS	17788000083F	PVC CONDUIT 8.25"	

## Expanded Model Nomenclature

M1 - APC1424H41EA
M2 - APC1424H41EB
M3 - APC1424H41EC
M4 - APC1430H41EA
M5 - APC1430H41EB
M6 - APC1430H41EC
M7 - APC1436H41DC
M8 - APC1436H41DD
M9 - APC1442H41EA
M10 - APC1442H41EB
M11 - APC1442H41EC
M12 - APC1448H41EA
M13 - APC1448H41EB
M14 - APC1448H41EC
M15 - APC1460H41EA
M16 - APC1460H41EB
M17 - APC1460H41EC

# Control Box Assembly

## CONTROL BOX ASSEMBLY



# Control Box Assembly

Ref. Part No: No:	Description:	Ref. Part No: No:	Description:
-------------------	--------------	-------------------	--------------

**Image 1:**

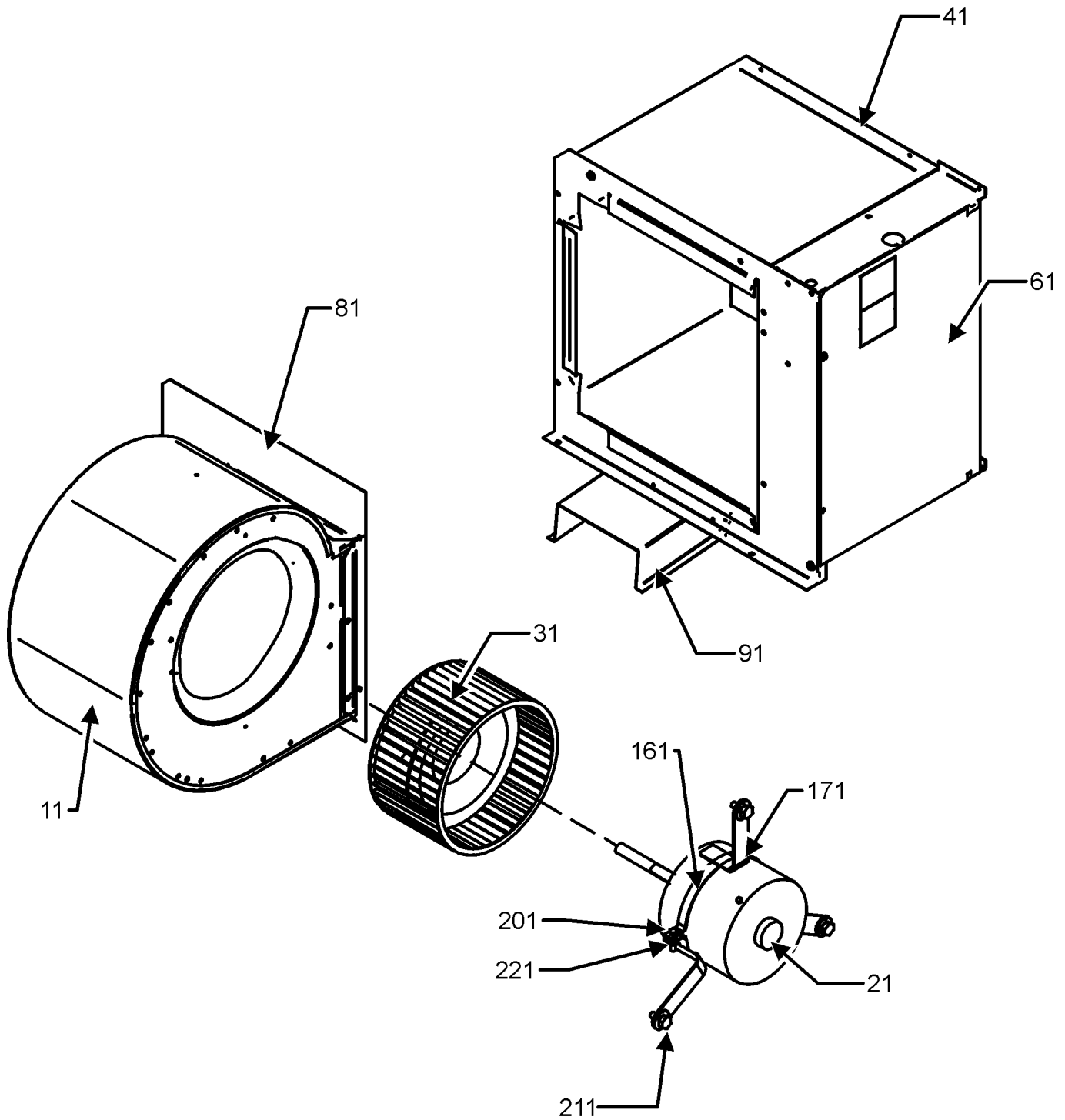
61	0130M00138	TRANSFORMER 208/230, 24V
71	CONT1P025024V	CONTACTOR 25 AMP, 1P, 24V (M1, M2, M3, M4, M5, M6, M7, M8)
71	CONT1P030024V	CONTACTOR 30 AMP, 1P, 24V (M9, M10, M11, M12, M13, M14)
71	CONT2P040024V	CONTACTOR 40 AMP, 2P, 24V (M15, M16, M17)
91	CAP050350440CS	CAPACITOR 5/35/440V (M1, M2, M3)
91	CAP050400440CT	CAPACITOR 5/40/440V/DUAL RD (M4, M5, M6)
91	CAP050450440CT	CAPACITOR 5/45/440V/DUAL RD (M7, M8, M9, M10, M11, M12, M13, M14)
91	CAP050700440CT	CAPACITOR 5/70/440V/DUAL RD (M15, M16, M17)
191	20520901	CAPACITOR STRAP
331	0259G00021	WIRE HARNESS, ELECTRIC HEAT

**Expanded Model Nomenclature**

- M1 - APC1424H41EA
- M2 - APC1424H41EB
- M3 - APC1424H41EC
- M4 - APC1430H41EA
- M5 - APC1430H41EB
- M6 - APC1430H41EC
- M7 - APC1436H41DC
- M8 - APC1436H41DD
- M9 - APC1442H41EA
- M10 - APC1442H41EB
- M11 - APC1442H41EC
- M12 - APC1448H41EA
- M13 - APC1448H41EB
- M14 - APC1448H41EC
- M15 - APC1460H41EA
- M16 - APC1460H41EB
- M17 - APC1460H41EC

# Blower Assembly

## BLOWER ASSEMBLY



# Blower Assembly

Ref. Part No:	No:	Description:	Ref. Part No:	No:	Description:
<b>Image 1:</b>					
11	10324248	BLOWER HOUSING 10 X 8 (M1, M2, M3, M4, M5, M6, M7, M8, M9, M10, M11, M12, M13, M14)			
11	0271G00017	BLOWER HOUSING 11 X 8 (M15, M16, M17)			
21	0131G00034	PROGRAMMED MOTOR (M9, M10, M11)			
21	0131G00035	PROGRAMMED MOTOR (M12, M13, M14)			
21	0131M00487	PROGRAMMED MOTOR (M1, M2, M3)			
21	0131M00489	PROGRAMMED MOTOR (M4, M5, M6)			
21	0131M00495	PROGRAMMED MOTOR (M15, M16, M17)			
21	0131M00596	PROGRAMMED MOTOR (M7, M8)			
31	B1368016	BLOWER WHEEL 10 X 8 (M1, M2, M3, M4, M5, M6, M7, M8, M9, M10, M11, M12, M13, M14)			
31	B1368054	BLOWER WHEEL 11 X 8 (M15, M16, M17)			
41	0270G00025P	TRANSITION DUCT ASSY-ALL			
61	0121G00726	PL, HK COVER			
81	0121G00128P	BLOWER MOUNT (M15, M16, M17)			
81	0121G00035P	BLOWER MOUNT 10 X 8 (M1, M2, M3, M4, M5, M6, M7, M8, M9, M10, M11, M12, M13, M14)			
91	0121G00040P	BLOWER SUPPORT			
161	0121M00038	MOTOR MOUNT BAND			
171	B1376853	MOTOR MOUNT ARM (M1, M2, M3, M4, M5, M6, M7, M8, M9, M10, M11, M12, M13, M14)			
171	B1376857	MOTOR MOUNT ARM (M15, M16, M17)			
201	B1393323	MACHINE SCREW HWH 1/4-20 X 1-1/2 BZ			
211	M0250565	TC SCREW 1.25" (QTY 3)			
221	B1393800	LOCKNUT, NYLON, INSERT 1/4, 20			
NS	C6121810	BLOWER CUT-OFF (M1, M2, M3, M4, M5, M6, M7, M8, M9, M10, M11, M12, M13, M14)			
NS	2964700	BLOWER CUT-OFF 11 X 8 (M15, M16, M17)			

## Expanded Model Nomenclature

M1 - APC1424H41EA
M2 - APC1424H41EB
M3 - APC1424H41EC
M4 - APC1430H41EA
M5 - APC1430H41EB
M6 - APC1430H41EC
M7 - APC1436H41DC
M8 - APC1436H41DD
M9 - APC1442H41EA
M10 - APC1442H41EB
M11 - APC1442H41EC
M12 - APC1448H41EA
M13 - APC1448H41EB
M14 - APC1448H41EC
M15 - APC1460H41EA
M16 - APC1460H41EB
M17 - APC1460H41EC