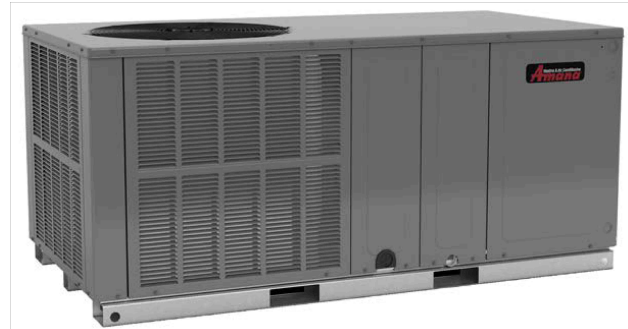


APC14 Horizontal Package Cooling Units

APC1424H41ED
APC1430H41GA
APC1430H41GB
APC1436H41DF



Amana® is a registered trademark of Maytag Corporation or its related companies and is used under license. All rights reserved.

This manual is to be used by qualified technicians only.

This manual replaces RP-A3301

© 2018 , 2020 Goodman Company, L.P. ♦ 5151 San Felipe St, Suite 500 ♦ Houston, TX 77056

Important Information

Index

| | |
|------------------------------|--------|
| Functional Parts List | 3 |
| Illustration and Parts | 4 - 11 |

Views shown are for parts illustrations only, not servicing procedures

Text Codes:

AR - As Required

NA - Not Available

NS - Not Shown

00000000 - See Note

QTY - Quantity Example (QTY 3) (If Quantity not shown, Quantity = 1)

M - Model Example (M1) (If M Code not shown, then part is used on all Models)

Expanded Model Nomenclature:

| |
|---|
| Example M1 - Model#1 M2 - Model#2 M3 - Model#3 |
|---|

Goodman Company, L.P. is not responsible for personal injury or property damage resulting from improper service. Review all service information before beginning repairs.

Warranty service must be performed by an authorized technician, using authorized factory parts. If service is required after the warranty expires, Goodman Company, L.P. also recommends contacting an authorized technician and using authorized factory parts.

Goodman Company, L.P. reserves the right to discontinue, or change at any time, specifications or designs without notice or without incurring obligations.

For assistance within the U.S.A. contact:

Homeowner Support
Goodman Company, L.P.
19001 Kermier Road
Waller, Texas 77484
877-254-4729-Telephone
713-863-2382-Facsimile

For assistance outside the U.S.A. contact:

International Division
Goodman Company, L.P.
19001 Kermier Road
Waller, Texas 77484
713-861-2500-Telephone
713-863-2382-Facsimile

Functional Parts

Part

No: Description:

| | |
|----------------|---|
| B1368016 | BLOWER WHEEL 10 X 8 |
| CAP050350440CS | CAP, 5/35 MFD/440V/DUAL RD (M1, M2, M3) |
| CAP050450440CT | CAP, 5/45 MFD/440V/DUAL RD (M4) |
| ZP25K6EPFV120 | COMP, 34200, 208/230/60/1 (M2, M3) |
| ZP20K5EPFV130 | COMP,20000,208/230/60/1 (M1) |
| ZP31K5EPFV130 | COMP,31100,208/230/60/1 (M4) |
| CONT1P025024V | CONTACTOR 25 AMP, 1P, 24V |
| 0131M00750 | CONTROLLERLESS MOTOR |
| 0150M00055 | FAN BLADE, 22" (M1, M2, M3) |
| B1086765 | FAN BLADE, TYPE 3 (M4) |
| 0131M00753 | MOTOR, 1/6HP, 1SP, 8PL, AL (M1, M2, M3) |
| 0131M00951 | Motor, OD, PSC, 1/4 HP (M4) |
| 0131M00488 | PROGRAMMED CONTROLLER (M1) |
| 0131M00597 | PROGRAMMED CONTROLLER (M4) |
| 0131M00869 | PROGRAMMED CONTROLLER (M2, M3) |
| 0130M00138 | TRANSFORMER, 208/230, 24V |

Expanded Model Nomenclature

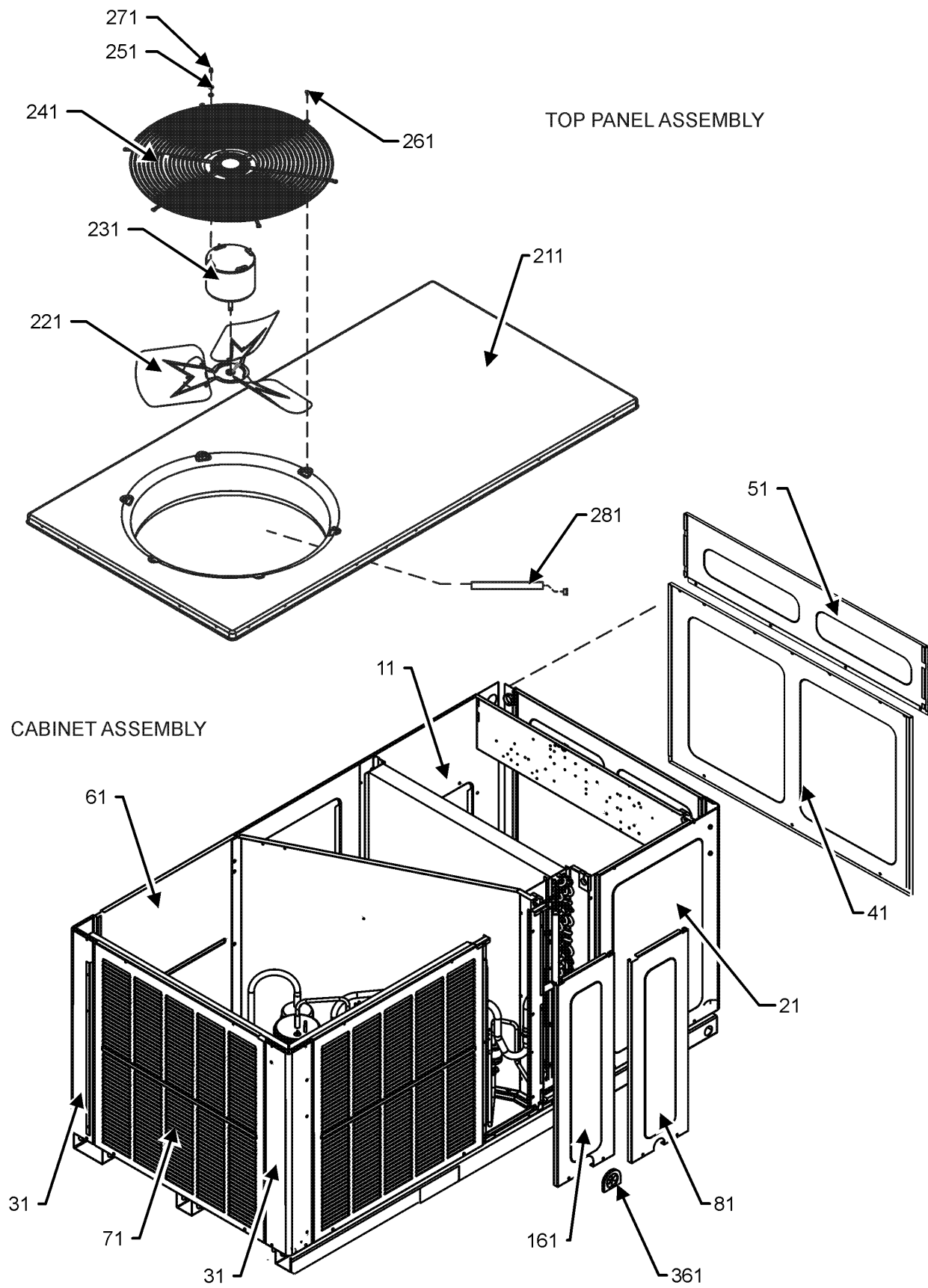
M1 - APC1424H41ED

M2 - APC1430H41GA

M3 - APC1430H41GB

M4 - APC1436H41DF

Top Panel and Cabinet Assembly



Top Panel and Cabinet Assembly

| Ref. Part No: | Part No: | Description: | Ref. Part No: | Part No: | Description: |
|---------------|----------|--------------|---------------|----------|--------------|
|---------------|----------|--------------|---------------|----------|--------------|

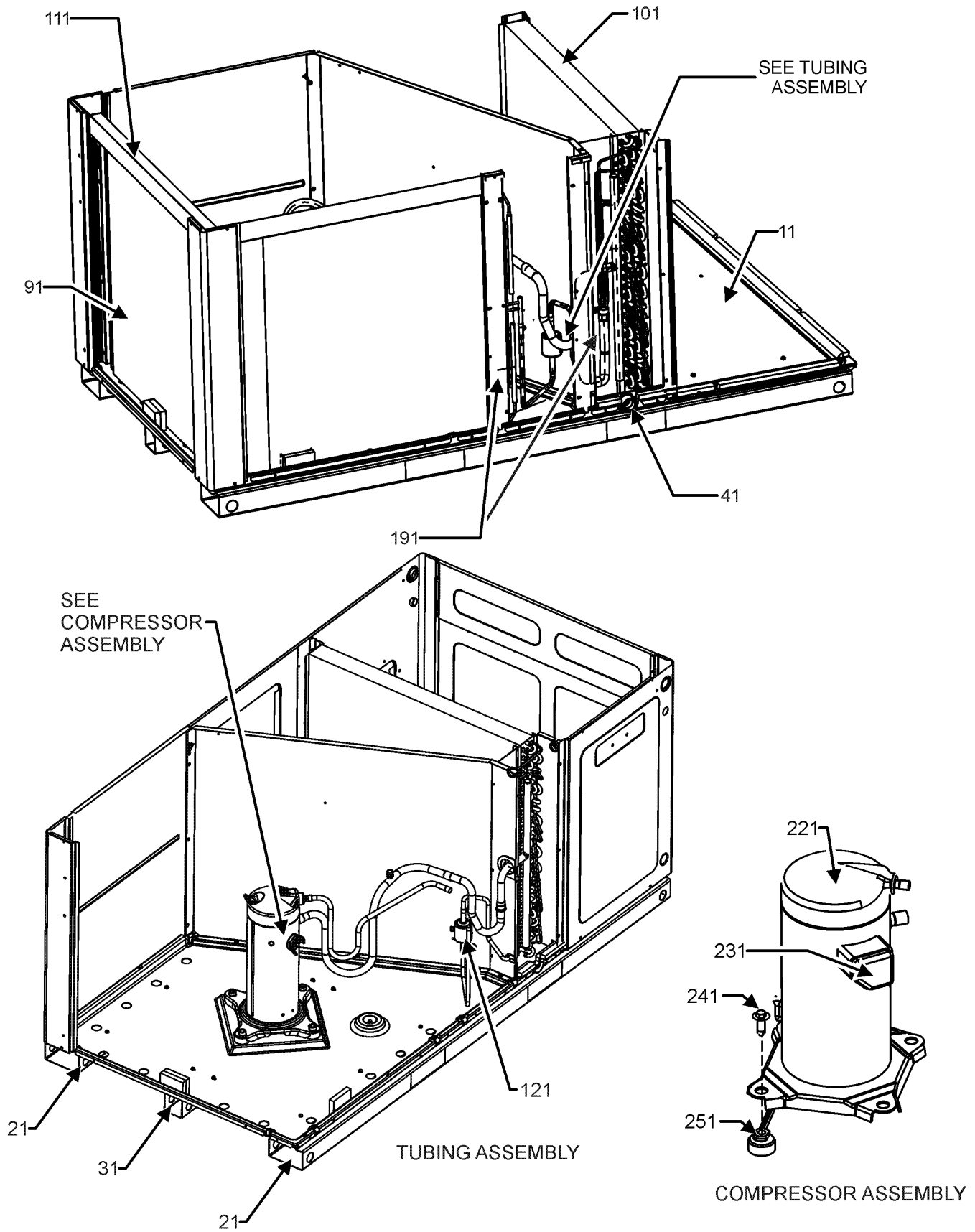
Image 1:

| | | |
|-----|---------------|---|
| 11 | 0121G00667PDG | DUCT PANEL 27.5" |
| 21 | 0121G00664DG | CORNER PANEL 27.5" |
| 31 | 0121G00516DG | CORNER POST, 27.5" (M1, M2, M3) |
| 31 | 0121G00047PDG | POST, COR, 27.5" (M4) |
| 41 | 0121G00271DG | EXTERNAL BLOWER PANEL 27.5" |
| 51 | 0121G00276DG | EXTERNAL CONTROL BOX PANEL |
| 61 | 0121G00517DG | PNL, NO LVR 27.5" PAINTED (M1, M2, M3) |
| 61 | 0121G00517DG | PNL, NO LVR 27.5" PAINTED (M1, M2, M3) |
| 71 | 0121G00072PLG | PNL, LVR, 27.5" 5BANK (QTY 2) |
| 81 | 0121G00065PDG | PNL, EVAP, 8.75" X 27.5" |
| 161 | 0121G00711DG | COMPRESSOR PANEL (M1, M2, M3) |
| 211 | 0121G00274DG | TOP PANEL PAINTED |
| 221 | 0150M00055 | FAN BLADE, 22" (M1, M2, M3) |
| 221 | B1086765 | FAN BLADE, TYPE 3 (M4) |
| 231 | 0131M00753 | MOTOR, 1/6HP, 1SP, 8PL, AL (M1, M2, M3) |
| 231 | 0131M00951 | Motor, OD, PSC, 1/4 HP (M4) |
| 241 | 0152G00003 | FAN GRILLE |
| 251 | 0163M00005P | WASHER, BLACK (.50 OD .218ID) (QTY 4) |
| 261 | M0221817 | SMALL SCREW (M1, M2, M3) |
| 271 | 0163M00006P | ACORN NUT 5/16 HEX BLACK (QTY 4) |
| 281 | 0161G00016 | CONDUIT PVC |
| 361 | 0164G00005 | GROMMET-HORSESHOE 1.675 |
| NS | B1392012 | GROMMET / HS 1.0 - .79 |

Expanded Model Nomenclature

| |
|-------------------|
| M1 - APC1424H41ED |
| M2 - APC1430H41GA |
| M3 - APC1430H41GB |
| M4 - APC1436H41DF |

Tubing Assembly



Tubing Assembly

| Ref. Part No: No: | Description: | Ref. Part No: No: | Description: |
|-------------------|--------------|-------------------|--------------|
|-------------------|--------------|-------------------|--------------|

Image 1:

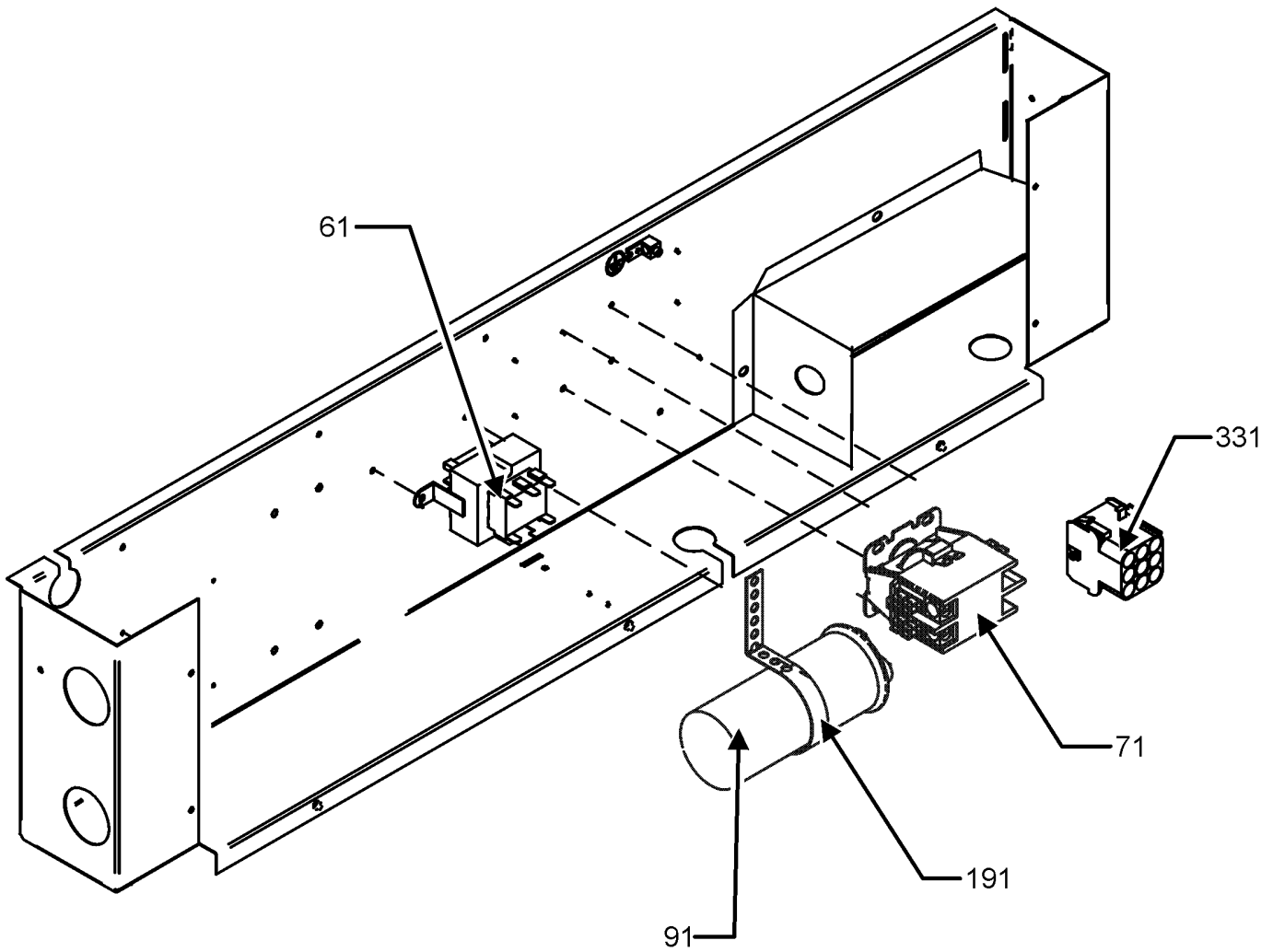
| | | |
|-----|---------------|--|
| 11 | 0121G00046P | PAN,BASE |
| 21 | 0121G00044PRF | BASEPAN RAIL (QTY 2) |
| 31 | 0121G00325 | BASE PAN SUPPORT RAIL |
| 41 | 0161G00000P | DRIP PAN |
| 91 | 0201G00183 | COND COIL ASSY (M4) |
| 91 | 0201G00308 | CONDENSER COIL ASSY (M1, M2, M3) |
| 101 | 0202G00552 | COIL TUBING ASSY (M4) |
| 101 | 0202G00709 | COIL TUBING ASSY (M1) |
| 101 | 0202G00710 | EVAP COIL TUBING ASSY (M2, M3) |
| 111 | 0121G00368 | CONDENSER COIL BLOCK OFF 2.3T (M4) |
| 111 | 0121G00519 | CONDENSER COIL BLOCKOFF (M1, M2, M3) |
| 121 | B1219212 | SINGLE-FLOW FILTER DRIER, STEEL |
| 191 | 0121G00045P | POST 27.5" |
| 221 | ZP25K6EPFV120 | COMP, 34200, 208/230/60/1 (M2, M3) |
| 221 | ZP20K5EPFV130 | COMP,20000,208/230/60/1 (M1) |
| 221 | ZP31K5EPFV130 | COMP,31100,208/230/60/1 (M4) |
| 231 | 0159G00004 | COMPRESSOR SCROLL HARNESS |
| 241 | M0221641 | TF SHOULDER SCREW (QTY 4) |
| 251 | B1339530 | GROMMET, COMPRESSOR (M1) |
| 251 | B1339533 | GROMMET, COMPRESSOR (SCROLL & (M2, M3, M4) |
| NS | B1373315 | ACCESS FITTING (QTY 2) |
| NS | 0163M00175 | CAP WITH O-RING (QTY 2) |
| NS | 0128G00052 | EVAP DRIP SHIELD |

Expanded Model Nomenclature

| |
|-------------------|
| M1 - APC1424H41ED |
| M2 - APC1430H41GA |
| M3 - APC1430H41GB |
| M4 - APC1436H41DF |

Control Box Assembly

CONTROL BOX ASSEMBLY



Control Box Assembly

Ref. Part

No: No:

Description:

Ref. Part

No: No:

Description:

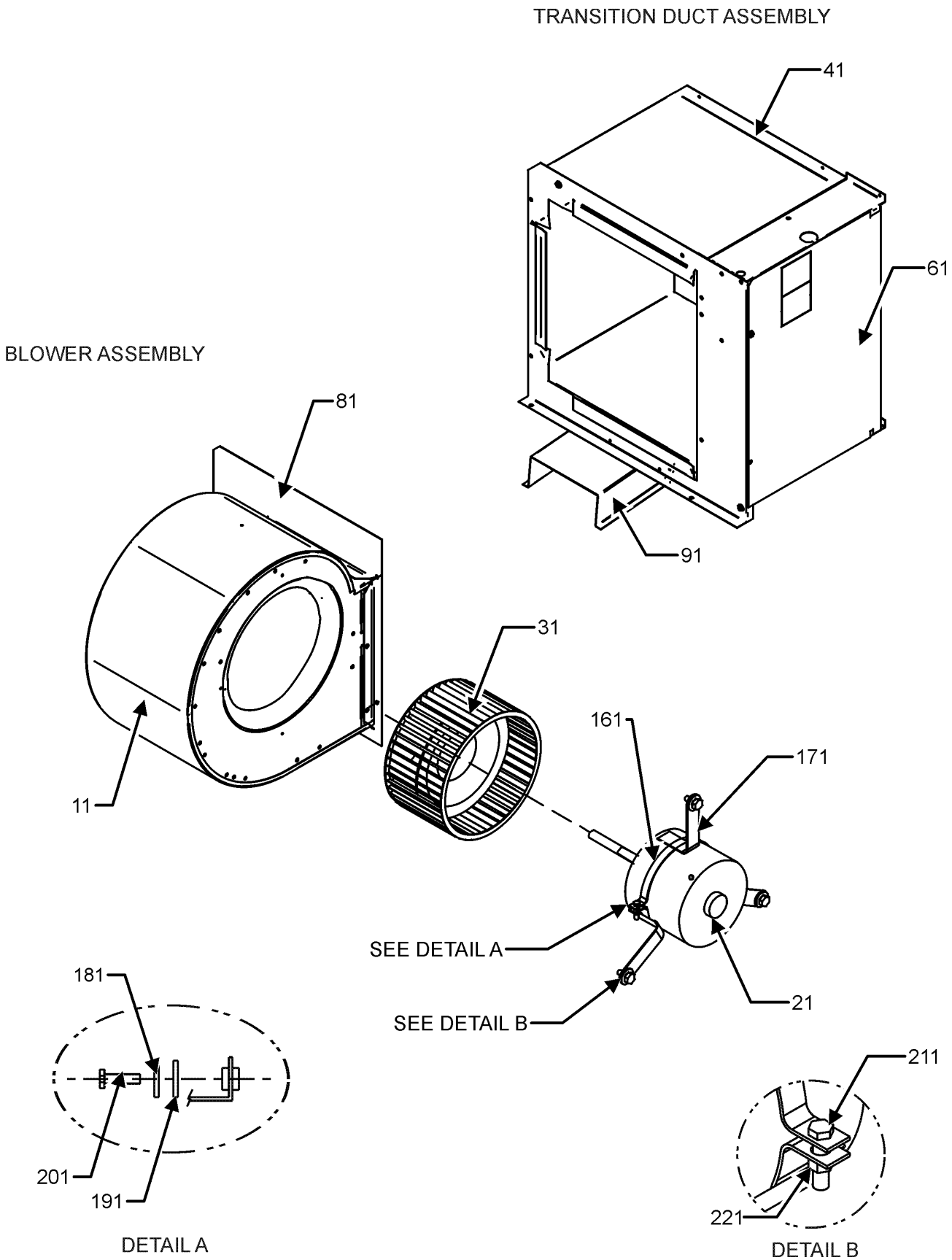
Image 1:

| | | |
|-----|----------------|---|
| 61 | 0130M00138 | TRANSFORMER, 208/230, 24V |
| 71 | CONT1P025024V | CONTACTOR 25 AMP, 1P, 24V |
| 91 | CAP050350440CS | CAP, 5/35 MFD/440V/DUAL RD (M1, M2, M3) |
| 91 | CAP050450440CT | CAP, 5/45 MFD/440V/DUAL RD (M4) |
| 191 | 20520901 | CAPACITOR STRAP |
| 331 | 0259G00021 | WIRE HARNESS, ELECTRIC HEAT |

Expanded Model Nomenclature

| |
|-------------------|
| M1 - APC1424H41ED |
| M2 - APC1430H41GA |
| M3 - APC1430H41GB |
| M4 - APC1436H41DF |

Blower and Transition Duct Assembly



Blower and Transition Duct Assembly

| Ref. Part No: | No: | Description: | Ref. Part No: | No: | Description: |
|---------------|-----|--------------|---------------|-----|--------------|
|---------------|-----|--------------|---------------|-----|--------------|

Image 1:

| | | |
|-----|-------------|-------------------------------------|
| 11 | 10324248 | HSG WELD- 10X8 BWR |
| 21 | 0131M00750 | CONTROLLERLESS MOTOR |
| 21 | 0131M00488 | PROGRAMMED CONTROLLER (M1) |
| 21 | 0131M00597 | PROGRAMMED CONTROLLER (M4) |
| 21 | 0131M00869 | PROGRAMMED CONTROLLER (M2, M3) |
| 31 | B1368016 | BLOWER WHEEL 10 X 8 |
| 41 | 0270G00025P | TRANSITION DUCT ASSY-ALL |
| 61 | 0121G00726 | HEATER KIT COVER |
| 81 | 0121G00035P | BLOWER MOUNT 10 X 8 |
| 91 | 0121G00040P | BLOWER SUPPORT |
| 161 | 0121M00038 | MOTOR MOUNT BAND |
| 171 | B1376853 | MOTOR MOUNT ARM (QTY 3) |
| 181 | B1392820 | WASHER, SPLIT LOCK 1/4 BZ (QTY 3) |
| 191 | B1392918 | WASHER, FLAT 1/4 ID X 1 OD (QTY 3) |
| 201 | M0250565 | TC SCREW 1.25" (QTY 3) |
| 211 | B1393323 | MACHINE SCREW HWH 1/4-20 X 1-1/2 BZ |
| 221 | B1393800 | LOCKNUT, NYLON, INSERT 1/4, 20 |
| NS | C6121810 | BLOWER CUT-OFF |

Expanded Model Nomenclature

| |
|-------------------|
| M1 - APC1424H41ED |
| M2 - APC1430H41GA |
| M3 - APC1430H41GB |
| M4 - APC1436H41DF |