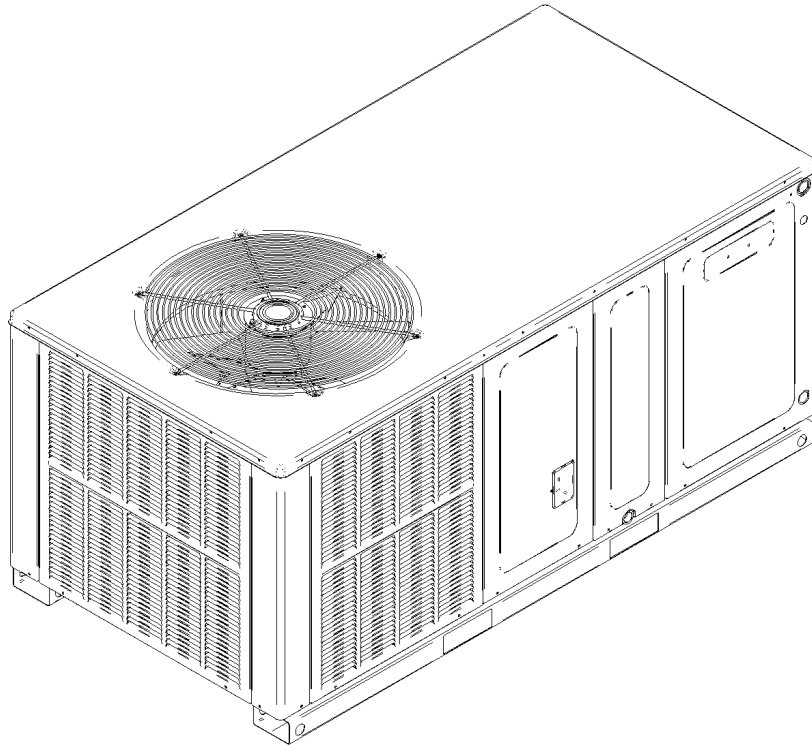


APC14 "H" Model Package Cooling Unit

APC1424H41DA
APC1430H41DA
APC1436H41DA
APC1436H41DB
APC1442H41DA
APC1448H41DA
APC1460H41DA



Amana® is a registered trademark of Maytag Corporation or its related companies and is used under license to Goodman Company, L.P., Houston, TX, USA. All rights reserved.

This manual is to be used by qualified technicians only.

This manual replaces RP-831A.

© 2013-2014 Goodman Company, L.P. ♦ 5151 San Felipe St., Suite 500 ♦ Houston, TX 77056

Important Information

Index

Functional Parts List	3
Illustration and Parts	4 - 13

Views shown are for parts illustrations only, not servicing procedures

Rev A: Residential Package Heater Kit Changes

Text Codes:

AR - As Required

NA - Not Available

NS - Not Shown

00000000 - See Note

QTY - Quantity Example (QTY 3) (If Quantity not shown, Quantity = 1)

M - Model Example (M1) (If M Code not shown, then part is used on all Models)

Expanded Model Nomenclature:

Example M1 - Model#1 M2 - Model#2 M3 - Model#3

Goodman Company, L.P. is not responsible for personal injury or property damage resulting from improper service. Review all service information before beginning repairs.

Warranty service must be performed by an authorized technician, using authorized factory parts. If service is required after the warranty expires, Goodman Company, L.P. also recommends contacting an authorized technician and using authorized factory parts.

Goodman Company, L.P. reserves the right to discontinue, or change at any time, specifications or designs without notice or without incurring obligations.

For assistance within the U.S.A. contact:

Consumer Affairs Department
Goodman Company, L.P.
7401 Security Way
Houston, Texas 77040
877-254-4729-Telephone
713-863-2382-Facsimile

For assistance outside the U.S.A. contact:

International Division
Goodman Company, L.P.
7401 Security Way
Houston, Texas 77040
713-861-2500-Telephone
713-863-2382-Facsimile

Functional Parts

Part

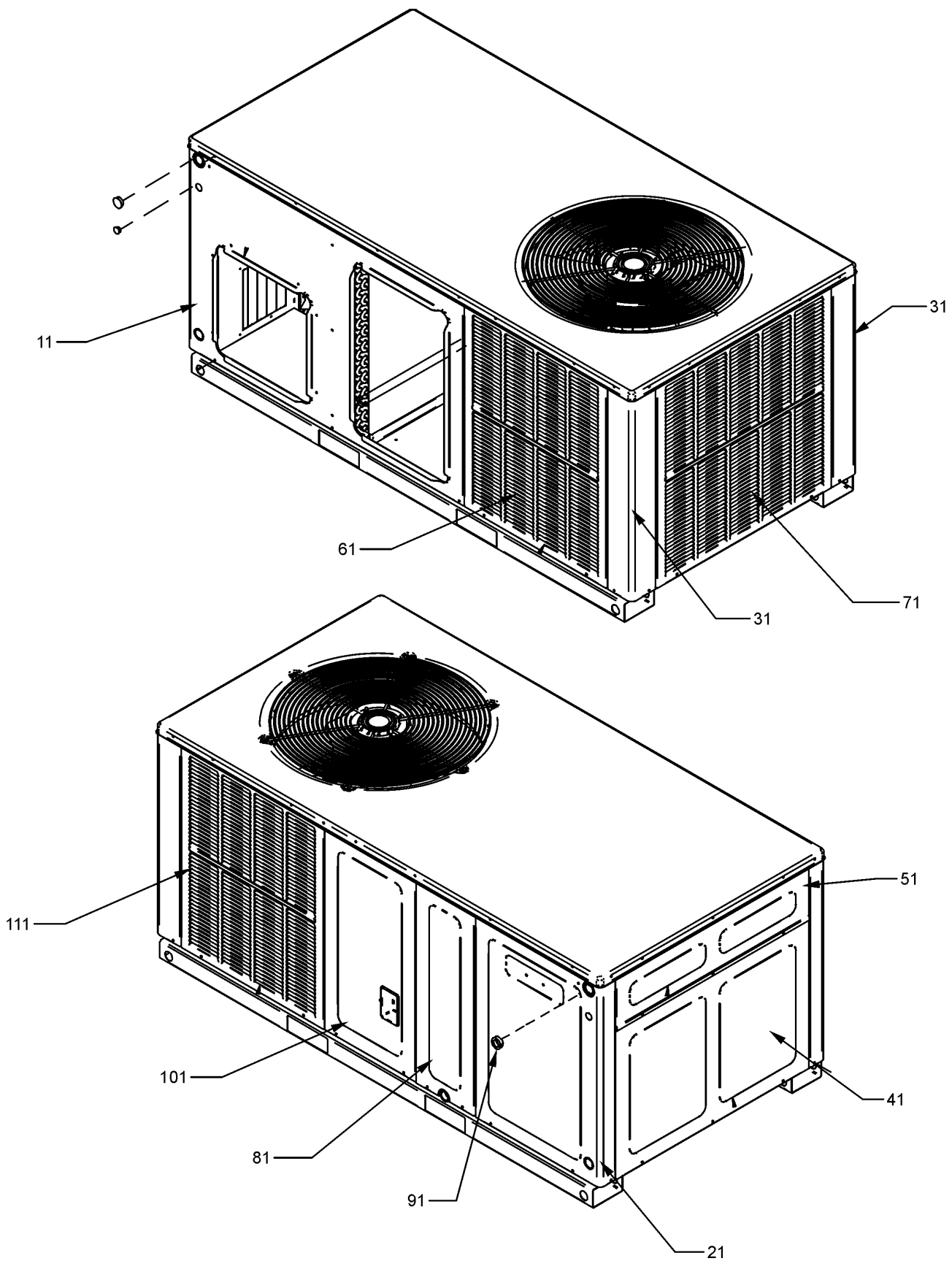
No: Description:

B1368016	BLOWER WHEEL 10 X 8 (M1, M2, M3, M4, M5, M6)
B1368054	BLOWER WHEEL 11 X 8 (M7)
CAP050350440CS	CAPACITOR 5/35/440V (M1)
CAP050400440CT	CAPACITOR 5/40/440V/DUAL RD (M2)
CAP050450440CT	CAPACITOR 5/45/440V/DUAL RD (M3, M4, M5, M6)
CAP050700440CT	CAPACITOR 5/70/440V/DUAL RD (M7)
ZP20K5EPFV130	COMPRESSOR 20000, 208/230/60/1 (M1)
ZP24K5EPFV130	COMPRESSOR 24000, 208/230/60/1 (M2)
ZP31K5EPFV130	COMPRESSOR 31100, 208/230/60/1 (M3, M4)
ZP34K5EPFV130	COMPRESSOR 34500, 208/230/60/1 (M5)
ZP39K5EPFV130	COMPRESSOR 39000, 208/230/60/1 (M6)
ZP51K5EPFV130	COMPRESSOR 51000, 208/230/60/1 (M7)
0131M00061	COND MOTOR 1/4 HP, 1 SP, 8 PL (M3, M4)
0131M00429	COND MOTOR 1/4 HP, 1 SP, 6 PL (M5, M6, M7)
0131M00009P	COND MOTOR 1/6 HP, 1 SP, 8 PL (M1, M2)
CONT1P025024V	CONTACTOR 25 AMP, 1P, 24V (M1, M2, M3, M4)
CONT1P030024V	CONTACTOR 30 AMP, 1P, 24V (M5, M6)
CONT2P040024V	CONTACTOR 40 AMP, 2P, 24V (M7)
0130M00074	CUT-OUT SWITCH, HIGH PRESSURE (M7)
0150G00005	FAN BLADE (M1, M2)
0150G00004	FAN BLADE (M5, M6, M7)
B1086765	FAN BLADE TYPE 3 (M3, M4)
0131M00485	PROGRAMMED MOTOR (M6)
0131M00487	PROGRAMMED MOTOR (M1)
0131M00489	PROGRAMMED MOTOR (M2)
0131M00491	PROGRAMMED MOTOR (M5)
0131M00495	PROGRAMMED MOTOR (M7)
0131M00596	PROGRAMMED MOTOR (M3, M4)
0130M00138	TRANSFORMER 208/230, 24V

Expanded Model Nomenclature

M1 - APC1424H41DA
M2 - APC1430H41DA
M3 - APC1436H41DA
M4 - APC1436H41DB
M5 - APC1442H41DA
M6 - APC1448H41DA
M7 - APC1460H41DA

Cabinet Assembly



Cabinet Assembly

Ref. Part No: No:	Description:	Ref. Part No: No:	Description:
-------------------	--------------	-------------------	--------------

Image 1:

11	0121G00050PDG	DUCT PANEL 27.5" (M1, M2, M3, M4)
11	0121G00051PDG	DUCT PANEL 32.5" (M5)
11	0121G00084PDG	DUCT PANEL 36" (M6, M7)
21	0121G00521DG	CORNER PANEL 27.5" (M1, M2, M3, M4)
21	0121G00522DG	CORNER PANEL 32.5" (M5)
21	0121G00523DG	CORNER PANEL 36" (M6, M7)
31	0121G00047PDG	CORNER POST 27.5" (M1, M2, M3, M4)
31	0121G00048PDG	CORNER POST 32.5" (M5)
31	0121G00082PDG	CORNER POST 36" (M6, M7)
41	0121G00271DG	EXTERNAL BLOWER PANEL 27.5" (M1, M2, M3, M4)
41	0121G00272DG	EXTERNAL BLOWER PANEL 32.5" (M5)
41	0121G00273DG	EXTERNAL BLOWER PANEL 36" (M6, M7)
51	0121G00276DG	EXTERNAL CONTROL BOX PANEL (M1, M2, M3, M4)
61	0121G00069PLG	LOUVERED PANEL 4 BANK 27.5" (M1, M2, M3, M4)
61	0121G00070PLG	LOUVERED PANEL 4 BANK 32.5" (M5)
61	0121G00090PLG	LOUVERED PANEL 4 BANK 36" (M6, M7)
71	0121G00072PLG	LOUVERED PANEL 5 BANK 27.5" (M1, M2, M3, M4)
71	0121G00073PLG	LOUVERED PANEL 5 BANK 32.5" (M5)
71	0121G00091PLG	LOUVERED PANEL 5 BANK 36" (M6, M7)
81	0121G00065PDG	EVAP PANEL 8.75" X 27.5" (M1, M2, M3, M4)
81	0121G00066PDG	EVAP PANEL 8.75" X 32.5" (M5)
81	0121G00089PDG	PNL, 36" EXT EVAP RMV (M6, M7)
91	B1392012	GROMMET / HS 1.0 - .79
101	0121G00062PDG	COMPRESSOR PANEL 13.68" X 27.50" (M1, M2, M3, M4)
101	0121G00060PDG	COMPRESSOR PANEL 8.75" X 32.50" (M5)
101	0121G00087PDG	COMPRESSOR PANEL 8.75" X 36" (M6, M7)
111	0121G00069PLG	LOUVERED PANEL 4 BANK 27.5" (M1, M2, M3, M4)
111	0121G00091PLG	PNL, 5 BANK 36" LVR (M6, M7)
111	0121G00073PLG	PNL, LVR, 32.5" 5BANK (M5)

Expanded Model Nomenclature

- | |
|-------------------|
| M1 - APC1424H41DA |
| M2 - APC1430H41DA |
| M3 - APC1436H41DA |
| M4 - APC1436H41DB |
| M5 - APC1442H41DA |
| M6 - APC1448H41DA |
| M7 - APC1460H41DA |

Chassis Assembly

Image 1

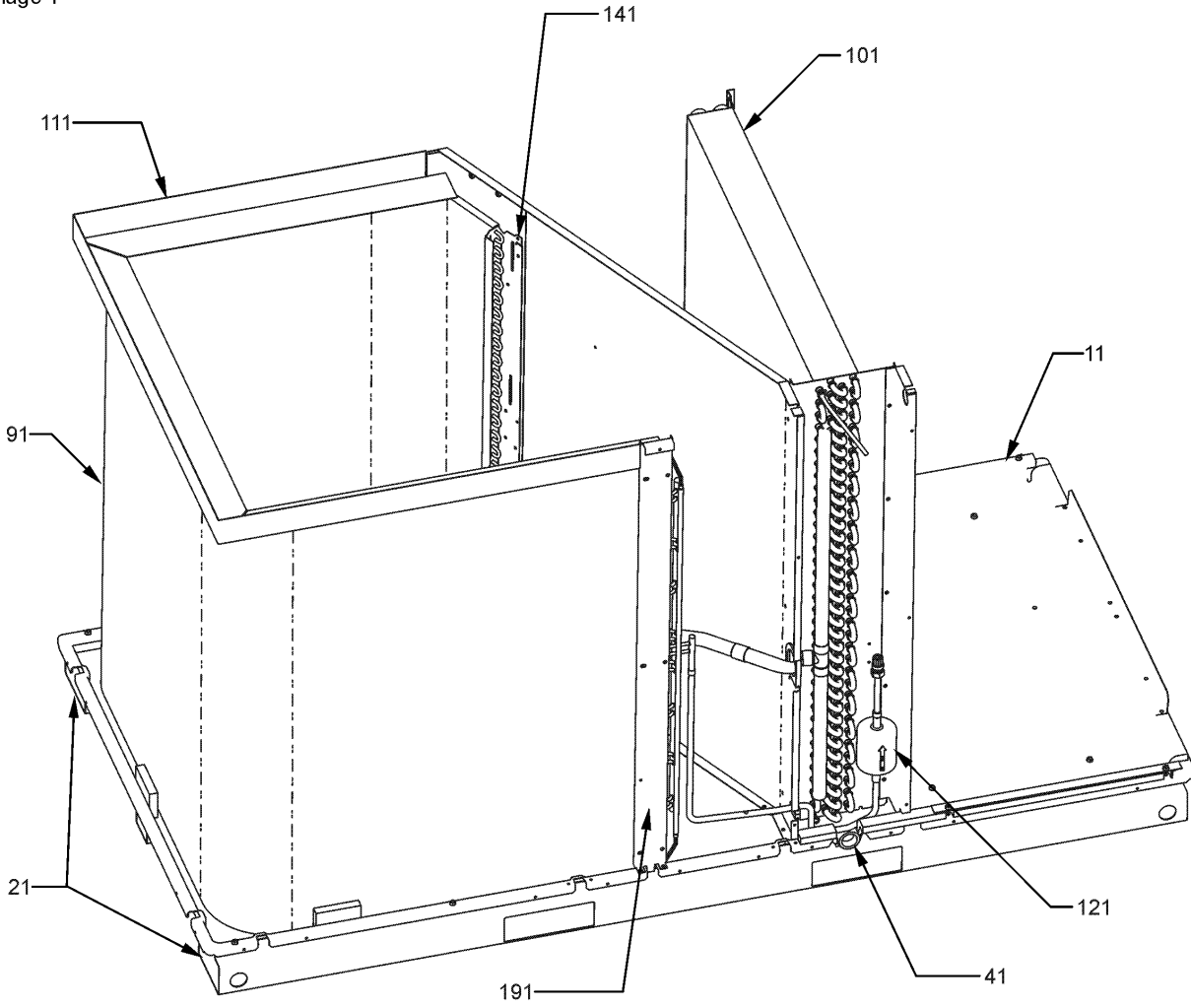
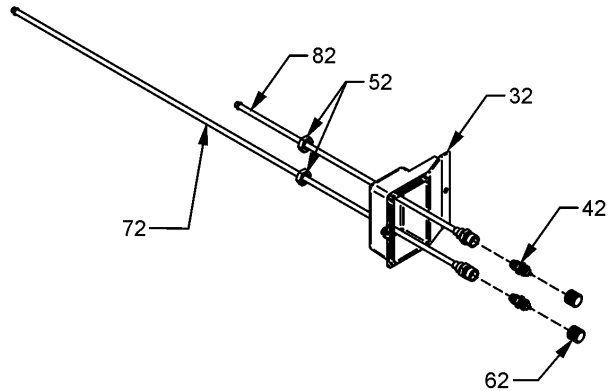


Image 2



Chassis Assembly

Ref. Part No: No:	Description:	Ref. Part No: No:	Description:
-------------------	--------------	-------------------	--------------

Image 1:

11	0121G00046P	INSULATED ASSY, BASEPAN
21	0121G00044PRF	BASEPAN RAIL (QTY 2)
41	0161G00000P	PAN, DRIP
91	0201G00182	CONDENSER COIL ASSY (M1)
91	0201G00188	CONDENSER COIL ASSY (M5)
91	0201G00190	CONDENSER COIL ASSY (M6)
91	0201G00268	CONDENSER COIL ASSY (M7)
91	0201G00183	TUBING ASSY, COND COIL (M2, M3, M4)
101	0202G00477	EVAP COIL ASSY (M2)
101	0202G00478	EVAP COIL ASSY (M6)
101	0202G00465	TUBING ASSY, EVAP COIL (M1)
101	0202G00468	TUBING ASSY, EVAP COIL (M3, M4)
101	0202G00470	TUBING ASSY, EVAP COIL (M5)
101	0202G00518	TUBING ASSY, EVAP COIL (M7)
111	0121G00368	CONDENSER COIL BLOCKOFF (M1, M2, M3, M4)
111	0121G00372	CONDENSER COIL BLOCKOFF (M5, M6, M7)
121	B1219212	SINGLE-FLOW FILTER DRIER, STEEL (M1, M2, M3, M4)
121	B1219225	SINGLE-FLOW FILTER DRIER, STEEL (M5, M6, M7)
141	0121G00365	PARTITION EXTENSION PANEL (M6)
191	0121G00045P	POST 27.5" (M1, M2, M3, M4)
191	0121G00079P	POST 32.5" (M5)
191	0121G00083P	POST 36" (M6, M7)
NS	0130M00074	CUT-OUT SWITCH, HIGH PRESSURE (M7)
NS	0128G00052	EVAP DRIP SHIELD
NS	0162M00197	FLOWRATOR (M7)
NS	0162M00162	FLOWRATOR [EVAP] (M1)
NS	0162M00164	FLOWRATOR [EVAP] (M3, M4)
NS	0162M00165	FLOWRATOR [EVAP] (M5)
NS	0162M00166	FLOWRATOR [EVAP] (M6)
NS	0162M00192	FLOWRATOR [EVAP] (M2)

Image 2:

32	0161G00008	ACCESS-FITTING BOX
42	B1373315	ACCESS FITTING (QTY 2)
52	0163G00000P	FASTEST FITTING NUT (QTY 2)
62	0163M00175	CAP WITH O-RING (QTY 2)
72	0210G00031P	PROCESS TUBE ASSY-SUCTION (M1, M2, M5, M6, M7)
72	0210G00617	PROCESS TUBE ASSY-SUCTION (M3, M4)
82	0210G00389	PROCESS TUBE ASSY-LIQUID (M1, M2, M5, M6, M7)
82	0210G00618	PROCESS TUBE ASSY-LIQUID (M3, M4)

Expanded Model Nomenclature

- | |
|-------------------|
| M1 - APC1424H41DA |
| M2 - APC1430H41DA |
| M3 - APC1436H41DA |
| M4 - APC1436H41DB |
| M5 - APC1442H41DA |
| M6 - APC1448H41DA |
| M7 - APC1460H41DA |

Compressor and Top Panel Assembly

Image 1

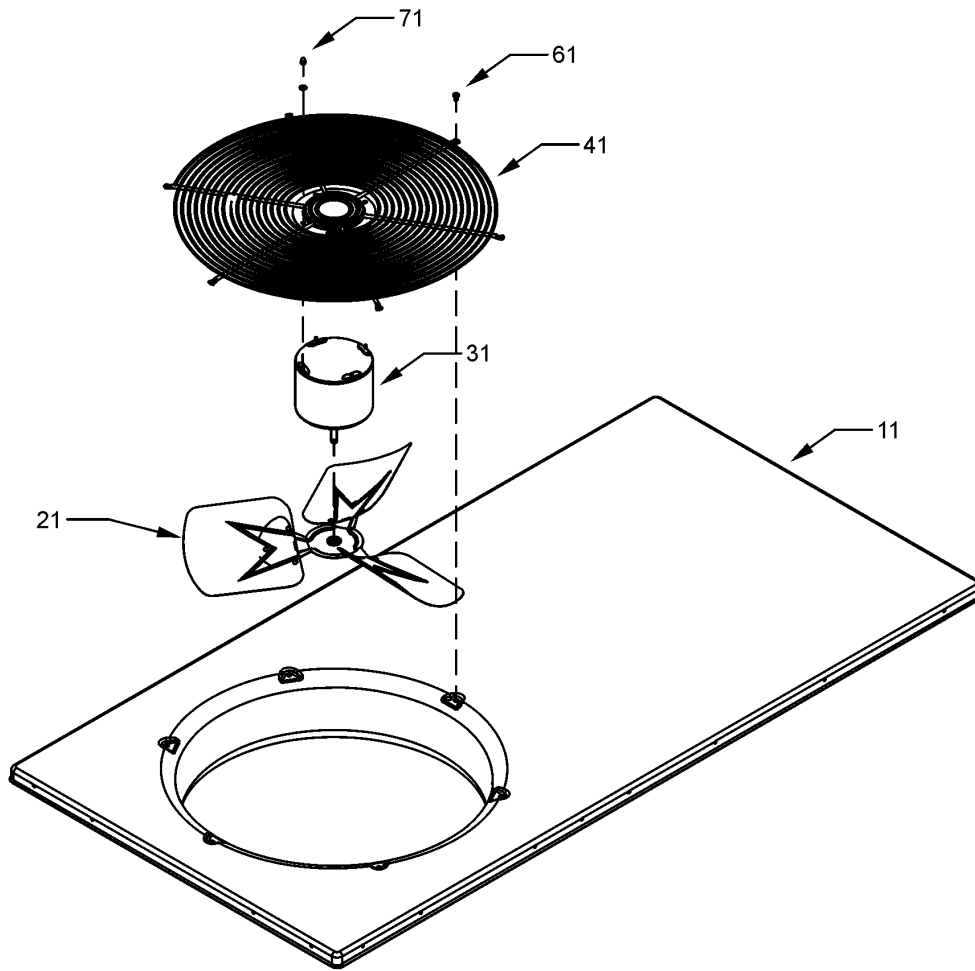
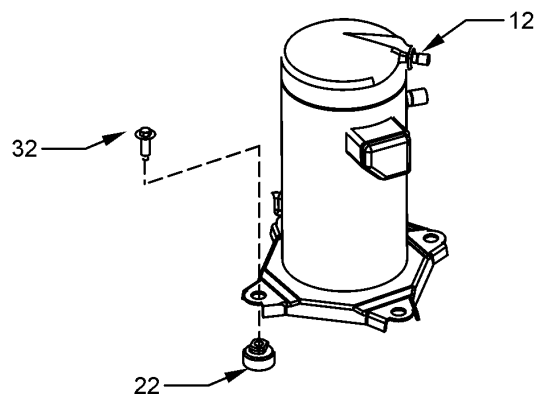


Image 2



Compressor and Top Panel Assembly

Ref. Part No: No:	Description:	Ref. Part No: No:	Description:
-------------------	--------------	-------------------	--------------

Image 1:

11	0121G00274DG	TOP PANEL PAINTED
21	0150G00004	FAN BLADE (M5, M6, M7)
21	0150G00005	FAN BLADE (M1, M2)
21	B1086765	FAN BLADE TYPE 3 (M3, M4)
31	0131M00061	COND MOTOR 1/4 HP, 1 SP, 8 PL (M3, M4)
31	0131M00429	COND MOTOR 1/4 HP, 1 SP, 6 PL (M5, M6, M7)
31	0131M00009P	COND MOTOR 1/6 HP, 1 SP, 8 PL (M1, M2)
41	0152G00003	FAN GRILLE
61	M0221817	SMALL SCREW (QTY 6)
71	0163M00006P	ACORN NUT 5/16 HEX BLACK (QTY 4)
NS	17788000083F	PVC CONDUIT 8.25"

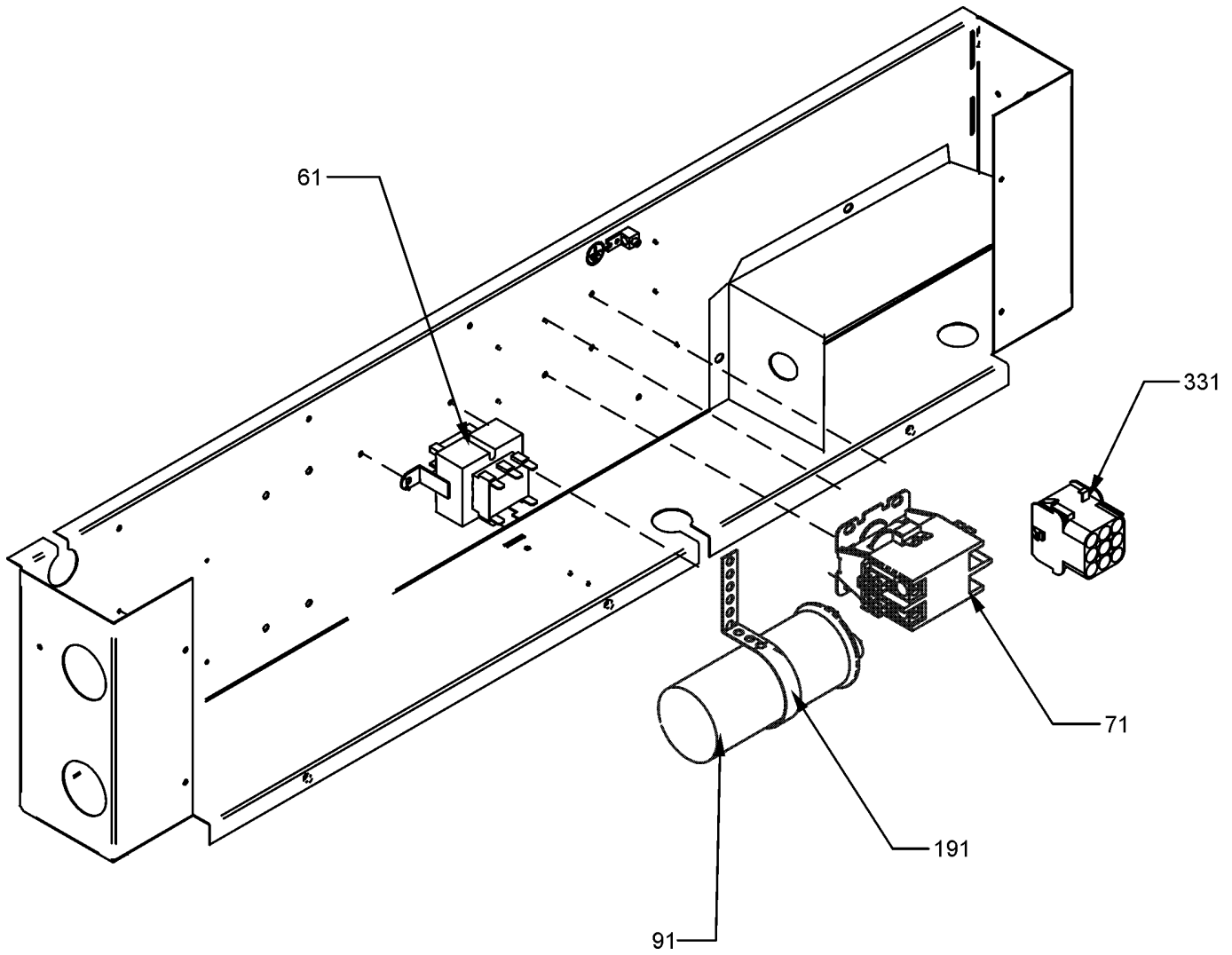
Image 2:

12	ZP20K5EPFV130	COMPRESSOR 20000, 208/230/60/1 (M1)
12	ZP24K5EPFV130	COMPRESSOR 24000, 208/230/60/1 (M2)
12	ZP31K5EPFV130	COMPRESSOR 31100, 208/230/60/1 (M3, M4)
12	ZP34K5EPFV130	COMPRESSOR 34500, 208/230/60/1 (M5)
12	ZP39K5EPFV130	COMPRESSOR 39000, 208/230/60/1 (M6)
12	ZP51K5EPFV130	COMPRESSOR 51000, 208/230/60/1 (M7)
22	B1339530	COMPRESSOR GROMMET (M1, M2)
22	B1339533	COMPRESSOR GROMMET (M3, M4, M5, M6, M7)
32	M0221641	TF SHOULDER SCREW (QTY 4)
NS	0159G00004	COMPRESSOR SCROLL HARNESS

Expanded Model Nomenclature

M1 - APC1424H41DA
M2 - APC1430H41DA
M3 - APC1436H41DA
M4 - APC1436H41DB
M5 - APC1442H41DA
M6 - APC1448H41DA
M7 - APC1460H41DA

Control Box Assembly



Control Box Assembly

Ref. Part No:	Description:	Ref. Part No:	Description:
---------------	--------------	---------------	--------------

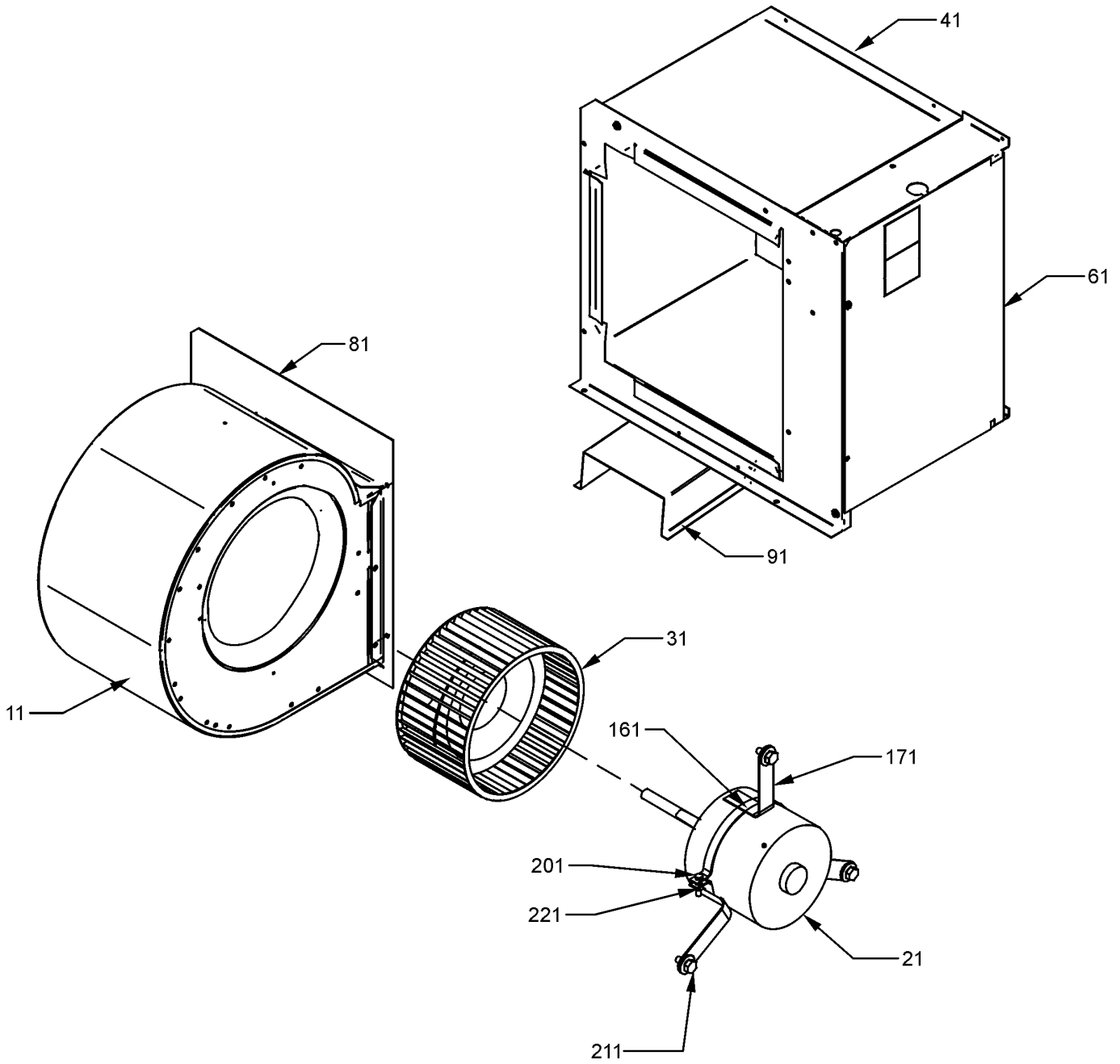
Image 1:

61	0130M00138	TRANSFORMER 208/230, 24V
71	CONT1P025024V	CONTACTOR 25 AMP, 1P, 24V (M1, M2, M3, M4)
71	CONT1P030024V	CONTACTOR 30 AMP, 1P, 24V (M5, M6)
71	CONT2P040024V	CONTACTOR 40 AMP, 2P, 24V (M7)
91	CAP050350440CS	CAPACITOR 5/35/440V (M1)
91	CAP050400440CT	CAPACITOR 5/40/440V/DUAL RD (M2)
91	CAP050450440CT	CAPACITOR 5/45/440V/DUAL RD (M3, M4, M5, M6)
91	CAP050700440CT	CAPACITOR 5/70/440V/DUAL RD (M7)
191	20520901	CAPACITOR STRAP
331	0259G00021	WIRE HARNESS, ELECTRIC HEAT

Expanded Model Nomenclature

M1 - APC1424H41DA
M2 - APC1430H41DA
M3 - APC1436H41DA
M4 - APC1436H41DB
M5 - APC1442H41DA
M6 - APC1448H41DA
M7 - APC1460H41DA

Blower Assembly



Blower Assembly

Ref. Part No: No:	Description:	Ref. Part No: No:	Description:
Image 1:			
11 10324248	BLOWER HOUSING 10 X 8 (M1, M2, M3, M4, M5, M6)		
11 0271G00017	BLOWER HOUSING 11 X 8 (M7)		
21 0131M00485	PROGRAMMED MOTOR (M6)		
21 0131M00487	PROGRAMMED MOTOR (M1)		
21 0131M00489	PROGRAMMED MOTOR (M2)		
21 0131M00491	PROGRAMMED MOTOR (M5)		
21 0131M00495	PROGRAMMED MOTOR (M7)		
21 0131M00596	PROGRAMMED MOTOR (M3, M4)		
31 B1368016	BLOWER WHEEL 10 X 8 (M1, M2, M3, M4, M5, M6)		
31 B1368054	BLOWER WHEEL 11 X 8 (M7)		
41 0270G00025P	TRANSITION DUCT ASSY-ALL		
61 0121G00039P	HEATER KIT COVER		
81 0121G00128P	BLOWER MOUNT (M7)		
81 0121G00035P	BLOWER MOUNT 10 X 8 (M1, M2, M3, M4, M5, M6)		
91 0121G00040P	BLOWER SUPPORT		
161 0121M00038	MOTOR MOUNT BAND		
171 B1376853	MOTOR MOUNT ARM (M1, M2, M3, M4, M5, M6)		
171 B1376857	MOTOR MOUNT ARM (M7)		
201 B1393323	MACHINE SCREW HWH 1/4-20 X 1-1/2 BZ		
211 M0250565	TC SCREW 1.25" (QTY 3)		
221 B1393800	LOCKNUT, NYLON, INSERT 1/4, 20		
NS C6121810	BLOWER CUT-OFF (M1, M2, M3, M4, M5, M6)		
NS 2964700	BLOWER CUT-OFF 11 X 8 (M7)		

Expanded Model Nomenclature

M1 - APC1424H41DA
M2 - APC1430H41DA
M3 - APC1436H41DA
M4 - APC1436H41DB
M5 - APC1442H41DA
M6 - APC1448H41DA
M7 - APC1460H41DA