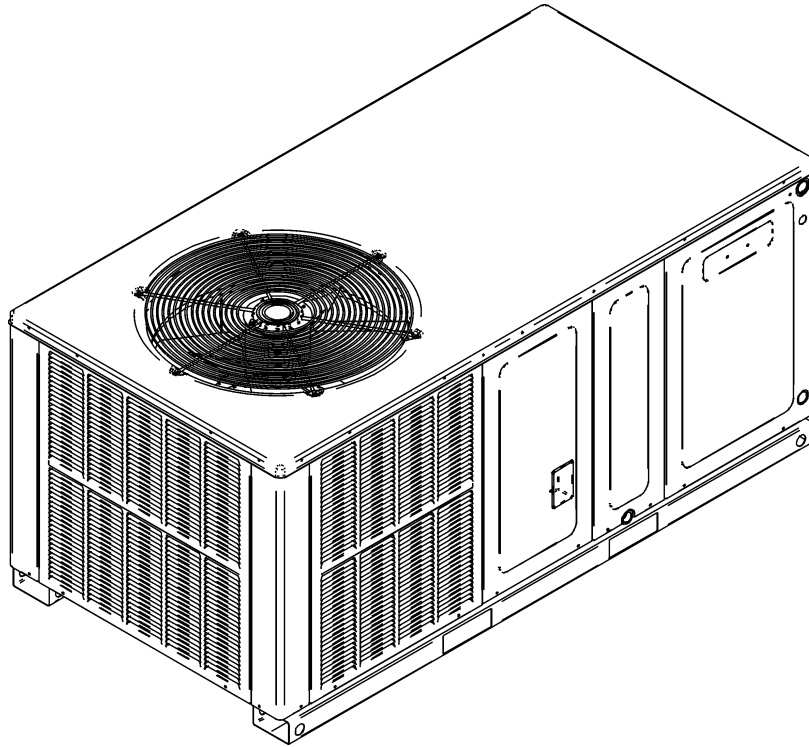


## APC13 "H" Series Package Cooling Units

APC1324H41CA  
APC1330H41CA  
APC1336H41CA  
APC1342H41CA  
APC1349H41CA  
APC1360H41DA



Amana is a registered trademark of Maytag Corporation or its related companies and is used under license to Goodman Company, L.P., Houston, TX. All rights reserved.

This manual is to be used by qualified technicians only.

This manual replaces RP-832.

© 2009, 2014 Goodman Company, L.P. ♦ 5151 San Felipe St., Suite 500 ♦ Houston, TX 77056

# Important Information

---

## Index

Functional Parts List .....	3
Illustration and Parts .....	4 - 13

*Views shown are for parts illustrations only, not servicing procedures*

Corrected Process Tubing part numbers. Changed Blower Assy to Blower Housing part numbers.

### Text Codes:

AR - As Required

NA - Not Available

NS - Not Shown

00000000 - See Note

QTY - Quantity Example (QTY 3) (If Quantity not shown, Quantity = 1)

M - Model Example (M1) (If M Code not shown, then part is used on all Models)

### Expanded Model Nomenclature:

Example M1 - Model#1 M2 - Model#2 M3 - Model#3
---

Goodman Company, L.P. is not responsible for personal injury or property damage resulting from improper service. Review all service information before beginning repairs.

Warranty service must be performed by an authorized technician, using authorized factory parts. If service is required after the warranty expires, Goodman Company, L.P. also recommends contacting an authorized technician and using authorized factory parts.

Goodman Company, L.P. reserves the right to discontinue, or change at any time, specifications or designs without notice or without incurring obligations.

For assistance within the U.S.A. contact:

Consumer Affairs Department  
Goodman Company, L.P.  
7401 Security Way  
Houston, Texas 77040  
877-254-4729-Telephone  
713-863-2382-Facsimile

For assistance outside the U.S.A. contact:

International Division  
Goodman Company, L.P.  
7401 Security Way  
Houston, Texas 77040  
713-861-2500-Telephone  
713-863-2382-Facsimile

# Functional Parts

## Part

## No: Description:

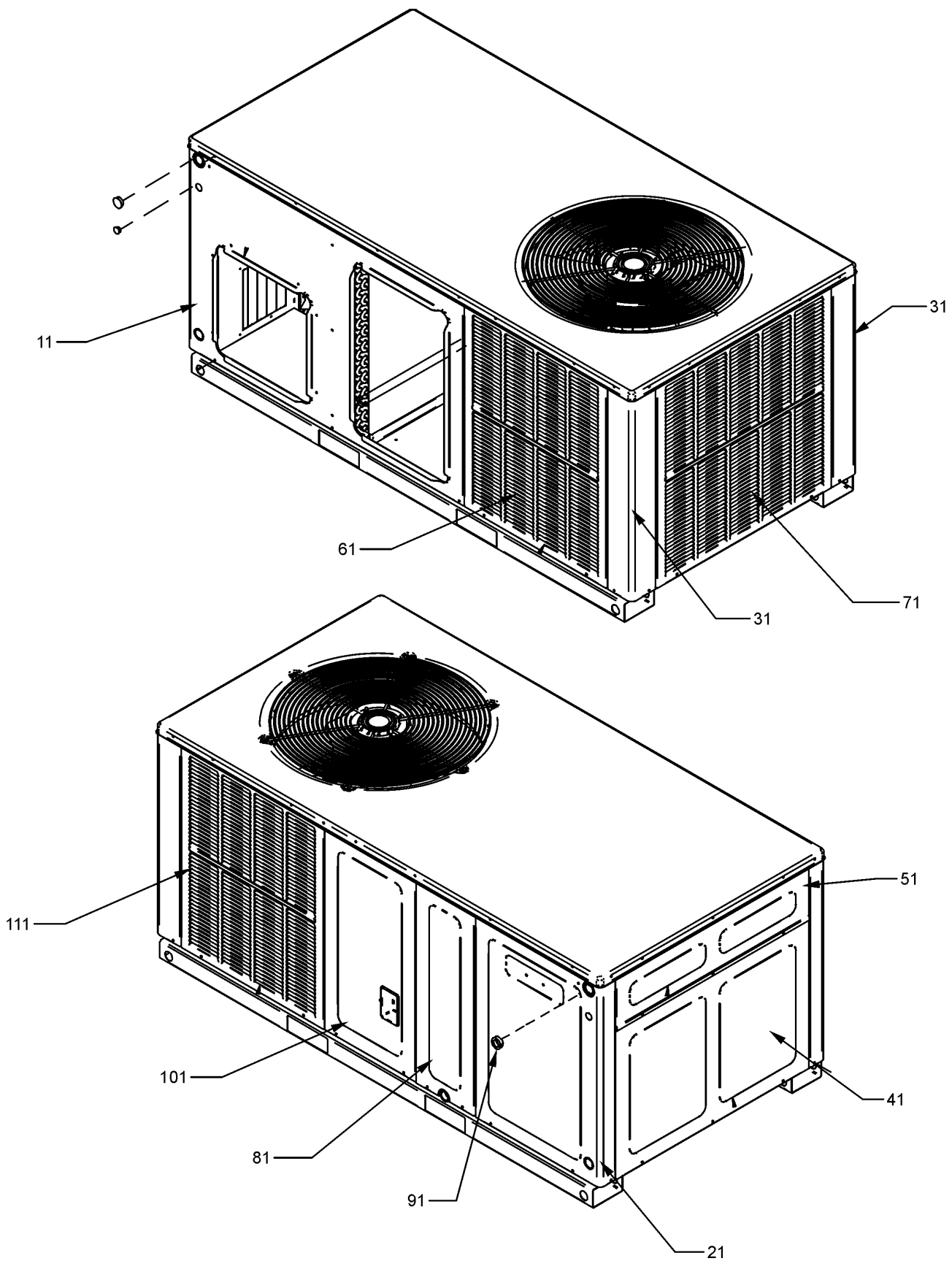
---

0130M00014	240 VOLT RELAY (M1, M2, M3, M4, M5)
0131M00425	BLOWER MOTOR (M6)
0131M00010P	BLOWER MOTOR 1/2 HP, 3 SP, 8 PL (M4, M5)
11091202	BLOWER MOTOR 1/3 HP, 3 SP, 6 PL (M2, M3)
11091207	BLOWER MOTOR 1/4 HP, 3 SP, 8 PL (M1)
B1368054	BLOWER WHEEL 11 X 8 (M6)
B1368042	BLOWER WHEEL 9 X 6 (M1)
B1368036	BLOWER WHEEL 9 X 8 (M3)
CAP100000370LA	CAPACITOR 10/370V (M1, M2, M3)
CAP150000370LA	CAPACITOR 15/370V (M4, M5)
CAP050350440CS	CAPACITOR 5/35/440V (M1)
CAP050400440CT	CAPACITOR 5/40/440V/DUAL RD (M2)
CAP050450440CT	CAPACITOR 5/45/440V/DUAL RD (M3, M4,
CAP050700440CT	CAPACITOR 5/70/440V/DUAL RD (M6)
ZP20K5EPFV130	COMPRESSOR 20000, 208/230/60/1 (M1)
ZP24K5EPFV130	COMPRESSOR 24000, 208/230/60/1 (M2)
ZP31K5EPFV130	COMPRESSOR 31100, 208/230/60/1 (M3)
ZP34K5EPFV130	COMPRESSOR 34500, 208/230/60/1 (M4)
ZP39K5EPFV130	COMPRESSOR 39000, 208/230/60/1 (M5)
ZP51K5EPFV130	COMPRESSOR 51000, 208/230/60/1 (M6)
0131M00061	COND MOTOR 1/4 HP, 1 SP, 8 PL (M3)
0131M00429	COND MOTOR 1/4 HP, 1 SP, 6 PL (M4, M5, M6)
0131M00009P	COND MOTOR 1/6 HP, 1 SP, 8 PL (M1, M2)
CONT1P025024V	CONTACTOR 25 AMP, 1P, 24V (M1, M2, M3)
CONT1P030024V	CONTACTOR 30 AMP, 1P, 24V (M4, M5)
CONT2P040024V	CONTACTOR 40 AMP, 2P, 24V (M6)
PCBFM103	ELECTRONIC BLOWER TIME DELAY (M1, M2, M3, M4, M5)
0150G00005	FAN BLADE (M1, M2)
0150G00004	FAN BLADE (M4, M5, M6)
B1086765	FAN BLADE TYPE 3 (M3)
0130M00138	TRANSFORMER 208/230, 24V

### Expanded Model Nomenclature

M1 - APC1324H41CA
M2 - APC1330H41CA
M3 - APC1336H41CA
M4 - APC1342H41CA
M5 - APC1349H41CA
M6 - APC1360H41DA

# Cabinet Assembly



# Cabinet Assembly

Ref. Part No:	No:	Description:	Ref. Part No:	No:	Description:
<b>Image 1:</b>					
11	0121G00050PDG	DUCT PANEL 27.5" (M1, M2, M3)			
11	0121G00051PDG	DUCT PANEL 32.5" (M4, M5)			
11	0121G00084PDG	DUCT PANEL 36" (M6)			
21	0121G00521DG	CORNER PANEL 27.5" (M1, M2, M3)			
21	0121G00522DG	CORNER PANEL 32.5" (M4, M5)			
21	0121G00523DG	CORNER PANEL 36" (M6)			
31	0121G00047PDG	CORNER POST 27.5" (M1, M2, M3)			
31	0121G00048PDG	CORNER POST 32.5" (M4, M5)			
31	0121G00082PDG	CORNER POST 36" (M6)			
41	0121G00271DG	EXTERNAL BLOWER PANEL 27.5" (M1, M2, M3)			
41	0121G00272DG	EXTERNAL BLOWER PANEL 32.5" (M4, M5)			
41	0121G00273DG	EXTERNAL BLOWER PANEL 36" (M6)			
51	0121G00276DG	EXTERNAL CONTROL BOX PANEL			
71	0121G00072PLG	LOUVERED PANEL 5 BANK 27.5" (M1, M2, M3)			
71	0121G00073PLG	LOUVERED PANEL 5 BANK 32.5" (M4, M5)			
71	0121G00091PLG	LOUVERED PANEL 5 BANK 36" (M6)			
81	0121G00065PDG	EVAP PANEL 8.75" X 27.5" (M1, M2, M3)			
81	0121G00066PDG	EVAP PANEL 8.75" X 32.5" (M4, M5)			
81	0121G00089PDG	PNL, 36" EXT EVAP RMV (M6)			
91	B1392011	GROMMET / HS .62 - .45			
101	0121G00062P	COMPRESSOR PANEL 13.68" X 27.50" (M1, M2, M3)			
101	0121G00060P	COMPRESSOR PANEL 8.75" X 32.50" (M4, M5)			
101	0121G00087P	COMPRESSOR PANEL 8.75" X 36" (M6)			
111	0121G00069PLG	LOUVERED PANEL 4 BANK 27.5" (M1, M2, M3)			
111	0121G00070PLG	LOUVERED PANEL 4 BANK 32.5" (M4, M5)			
111	0121G00090PLG	LOUVERED PANEL 4 BANK 36" (M6)			

## Expanded Model Nomenclature

M1 - APC1324H41CA
M2 - APC1330H41CA
M3 - APC1336H41CA
M4 - APC1342H41CA
M5 - APC1349H41CA
M6 - APC1360H41DA

# Chassis Assembly

Image 1

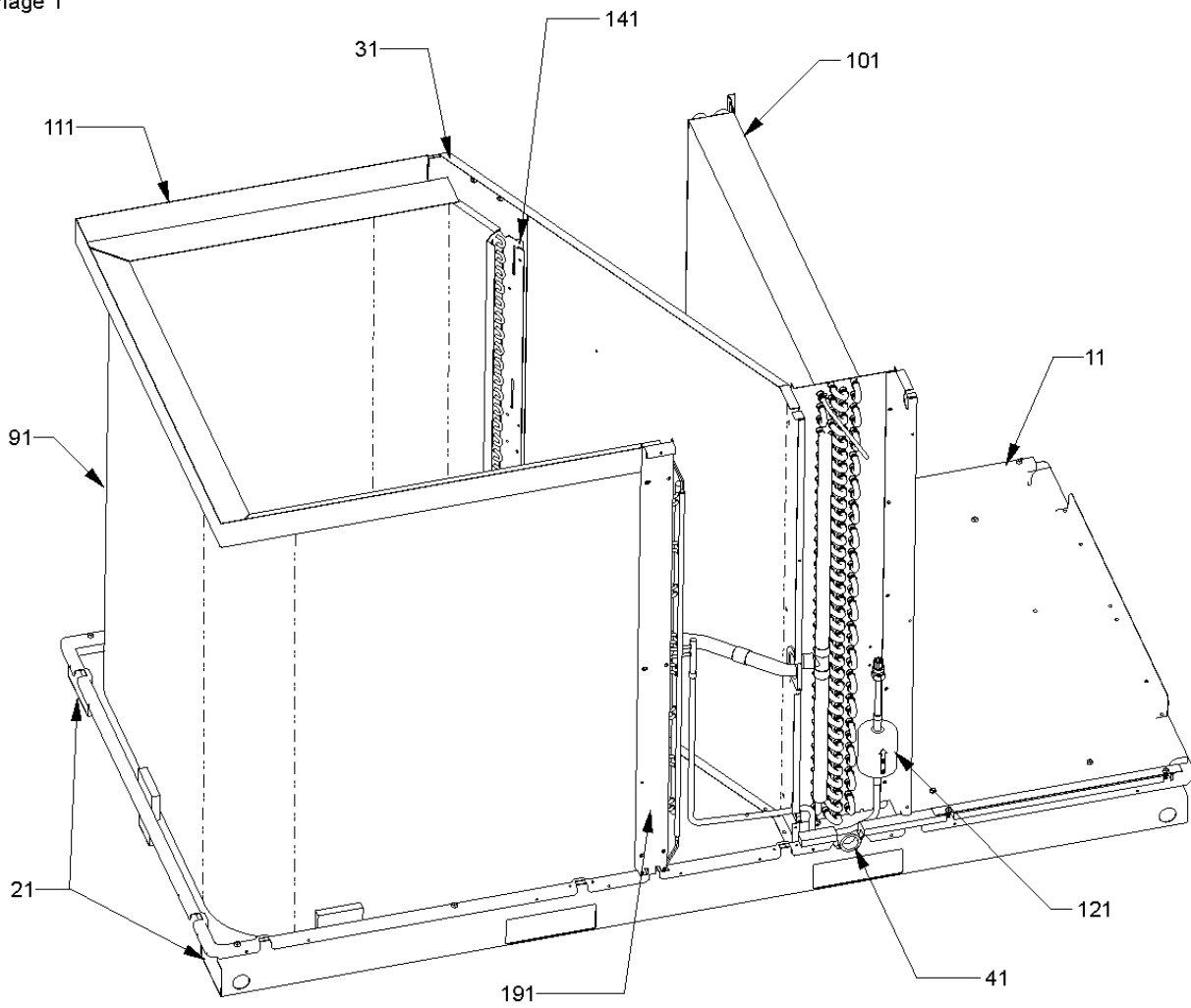
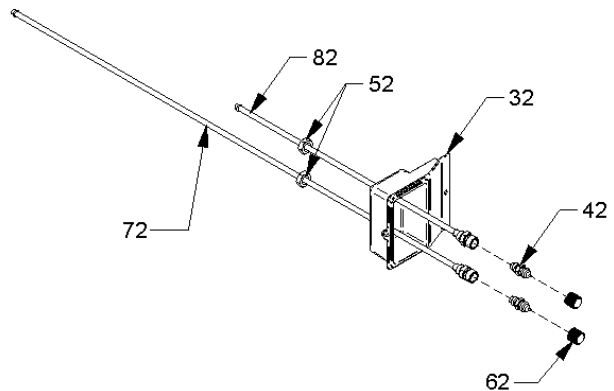


Image 2



# Chassis Assembly

Ref. Part No: No:	Description:	Ref. Part No: No:	Description:
-------------------	--------------	-------------------	--------------

**Image 1:**

11	0273G00001P	INSULATED ASSY, BASEPAN
21	0121G00044PRF	BASEPAN RAIL (QTY 2)
31	0121G00200	PANEL-PARTITION 27.5" (M1, M2, M3)
31	0121G00201	PANEL-PARTITION 32.5" (M4, M5)
31	0121G00203	PANEL-PARTITION 36" (M6)
41	0270G00254	DRAIN PAN ASSY
91	0201G00183	TUBING ASSY, COND COIL (M3)
91	0201G00186	TUBING ASSY, COND COIL (M1, M2)
91	0201G00187	TUBING ASSY, COND COIL (M4, M5)
91	0201G00191	TUBING ASSY, COND COIL (M6)
101	0202G00465	TUBING ASSY, EVAP COIL (M1)
101	0202G00467	TUBING ASSY, EVAP COIL (M2)
101	0202G00468	TUBING ASSY, EVAP COIL (M3)
101	0202G00470	TUBING ASSY, EVAP COIL (M4)
101	0202G00472	TUBING ASSY, EVAP COIL (M5)
101	0202G00473	TUBING ASSY, EVAP COIL (M6)
111	0121G00368	CONDENSER COIL BLOCKOFF (M1, M2, M3)
111	0121G00372	CONDENSER COIL BLOCKOFF (M4, M5, M6)
121	B1219225	SINGLE-FLOW FILTER DRIER, STEEL (M4, M5, M6)
121	B1219225	SINGLE-FLOW FILTER DRIER, STEEL (M1, M2, M3)
141	0121G00365	PARTITION EXTENSION PANEL (M6)
191	0121G00045P	POST 27.5" (M1, M2, M3)
191	0121G00079P	POST 32.5" (M4, M5)
191	0121G00083P	POST 36" (M6)
NS	0128G00052	EVAP DRIP SHIELD

**Image 2:**

32	0161G00008	ACCESS-FITTING BOX
42	B1373315	ACCESS FITTING (QTY 2)
52	0163G00000P	FASTEST FITTING NUT (QTY 2)
62	0163M00175	CAP WITH O-RING (QTY 2)
72	0210G00031P	PROCESS TUBE ASSY-SUCTION (M1, M2, M4, M5, M6)
72	0210G00617	PROCESS TUBE ASSY-SUCTION (M3)
82	0210G00389	PROCESS TUBE ASSY-LIQUID (M1, M2, M4, M5, M6)
82	0210G00618	PROCESS TUBE ASSY-LIQUID (M3)

**Expanded Model Nomenclature**

M1 - APC1324H41CA
M2 - APC1330H41CA
M3 - APC1336H41CA
M4 - APC1342H41CA
M5 - APC1349H41CA
M6 - APC1360H41DA

# Compressor and Top Panel Assembly

Image 1

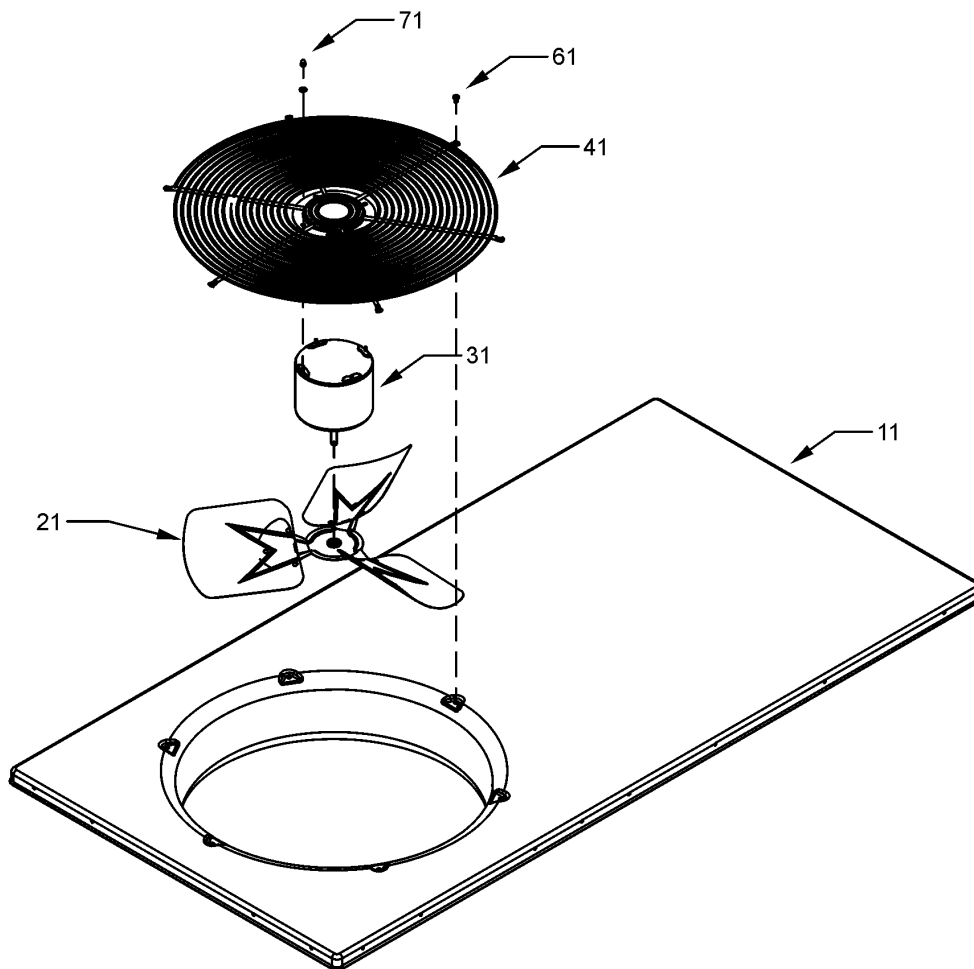
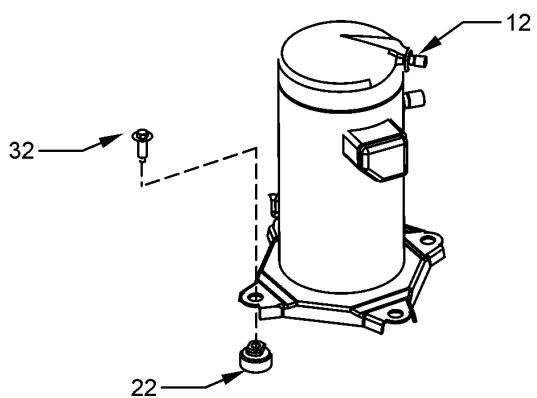


Image 2



# Compressor and Top Panel Assembly

Ref. Part No:	Part No:	Description:	Ref. Part No:	Part No:	Description:
---------------	----------	--------------	---------------	----------	--------------

**Image 1:**

11	0274G00037	INSULATED ASSY, TOP PANEL
21	0150G00004	FAN BLADE (M4, M5, M6)
21	0150G00005	FAN BLADE (M1, M2)
21	B1086765	FAN BLADE TYPE 3 (M3)
31	0131M00061	COND MOTOR 1/4 HP, 1 SP, 8 PL (M3)
31	0131M00429	COND MOTOR 1/4 HP, 1 SP, 6 PL (M4, M5, M6)
31	0131M00009P	COND MOTOR 1/6 HP, 1 SP, 8 PL (M1, M2)
41	0152G00002	FAN GRILLE
61	M0221817	SMALL SCREW (QTY 6)
71	0163M00006P	ACORN NUT 5/16 HEX BLACK (QTY 4)
NS	0159G00004	COMPRESSOR SCROLL HARNESS
NS	17788000083F	PVC CONDUIT 8.25"

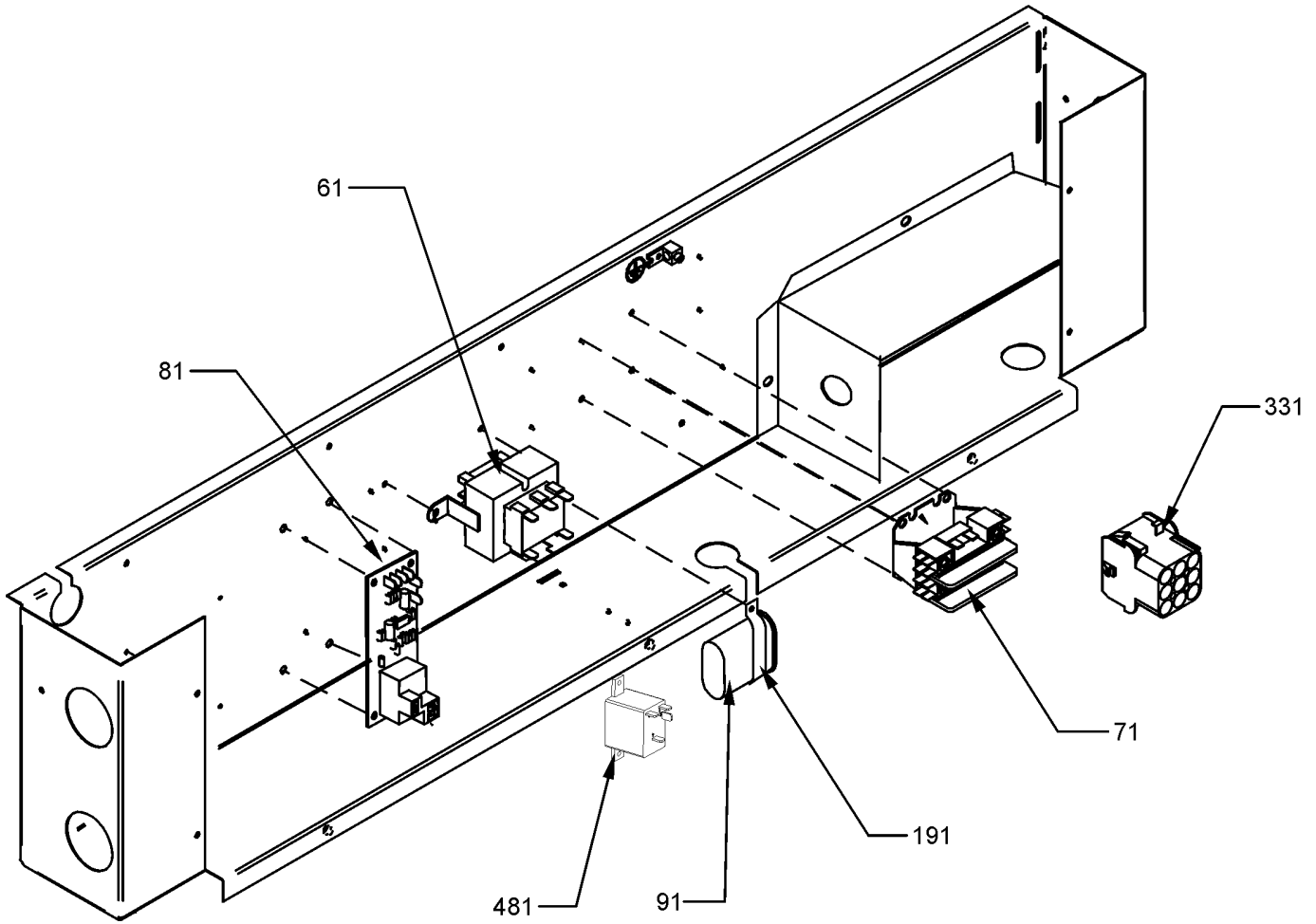
**Image 2:**

12	ZP20K5EPFV130	COMPRESSOR 20000, 208/230/60/1 (M1)
12	ZP24K5EPFV130	COMPRESSOR 24000, 208/230/60/1 (M2)
12	ZP31K5EPFV130	COMPRESSOR 31100, 208/230/60/1 (M3)
12	ZP34K5EPFV130	COMPRESSOR 34500, 208/230/60/1 (M4)
12	ZP39K5EPFV130	COMPRESSOR 39000, 208/230/60/1 (M5)
12	ZP51K5EPFV130	COMPRESSOR 51000, 208/230/60/1 (M6)
22	B1339530	COMPRESSOR GROMMET (M1, M2)
22	B1339533	COMPRESSOR GROMMET (M3, M4, M5, M6)
32	M0221641	TF SHOULDER SCREW (QTY 4)

**Expanded Model Nomenclature**

M1 - APC1324H41CA
M2 - APC1330H41CA
M3 - APC1336H41CA
M4 - APC1342H41CA
M5 - APC1349H41CA
M6 - APC1360H41DA

# Control Box Assembly



# Control Box Assembly

Ref. Part No: No:	Description:	Ref. Part No: No:	Description:
-------------------	--------------	-------------------	--------------

**Image 1:**

61	0130M00138	TRANSFORMER 208/230, 24V
71	CONT1P025024V	CONTACTOR 25 AMP, 1P, 24V (M1, M2, M3)
71	CONT1P030024V	CONTACTOR 30 AMP, 1P, 24V (M4, M5)
71	CONT2P040024V	CONTACTOR 40 AMP, 2P, 24V (M6)
81	PCBFM103	ELECTRONIC BLOWER TIME DELAY (M1, M2, M3, M4, M5)
91	CAP050350440CS	CAPACITOR 5/35/440V (M1)
91	CAP050400440CT	CAPACITOR 5/40/440V/DUAL RD (M2)
91	CAP050450440CT	CAPACITOR 5/45/440V/DUAL RD (M3, M4, M5)
91	CAP050700440CT	CAPACITOR 5/70/440V/DUAL RD (M6)
191	20520901	CAPACITOR STRAP (M1, M2, M3, M4, M5)
331	0259G00004	WIRE HARNESS, ELECTRIC HEAT (M1, M2, M3, M4, M5)
331	0259G00021	WIRE HARNESS, ELECTRIC HEAT (M6)
481	0130M00014	240 VOLT RELAY (M1, M2, M3, M4, M5)

**Expanded Model Nomenclature**

M1 - APC1324H41CA
M2 - APC1330H41CA
M3 - APC1336H41CA
M4 - APC1342H41CA
M5 - APC1349H41CA
M6 - APC1360H41DA

# Blower Assembly

Image 1

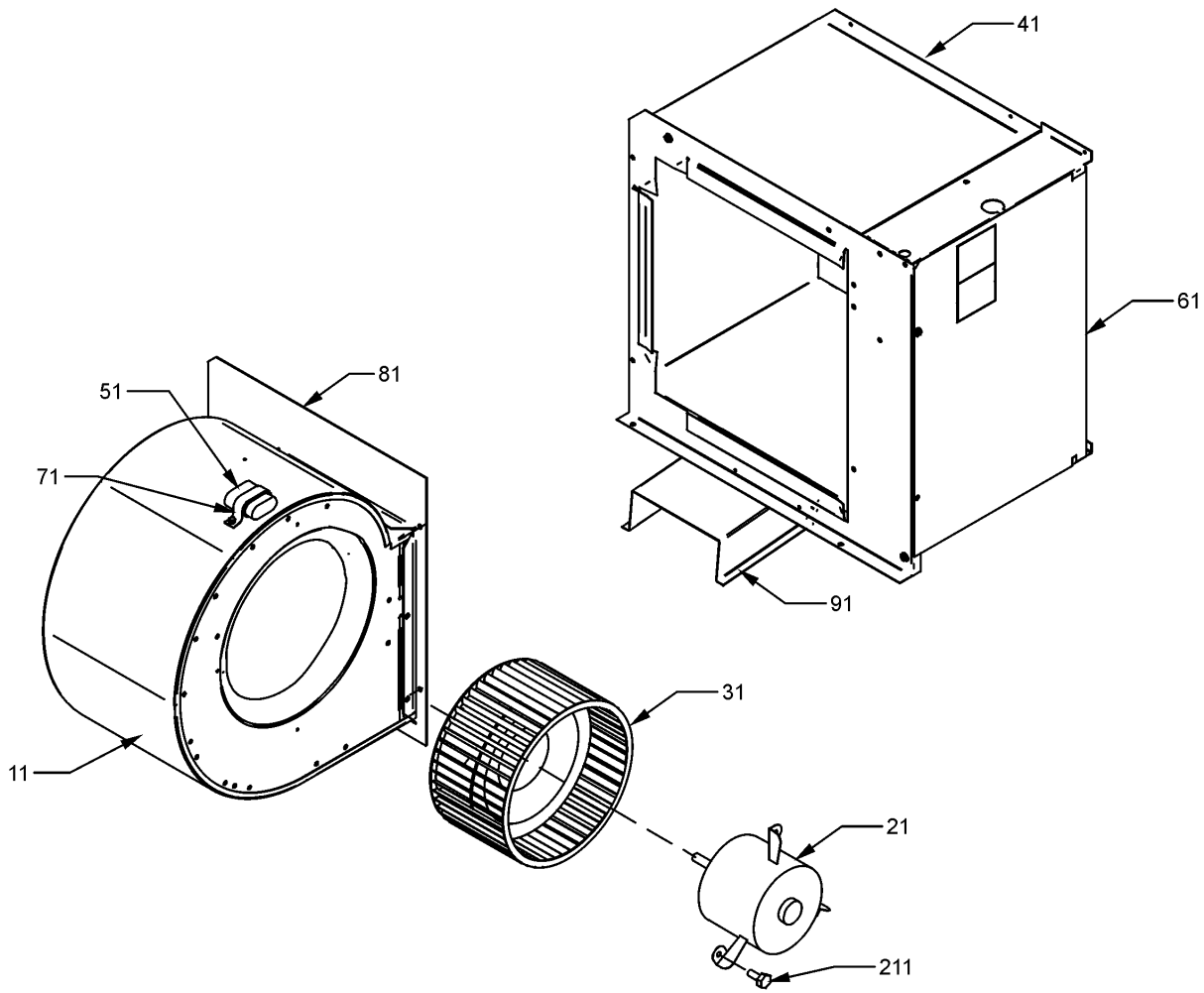
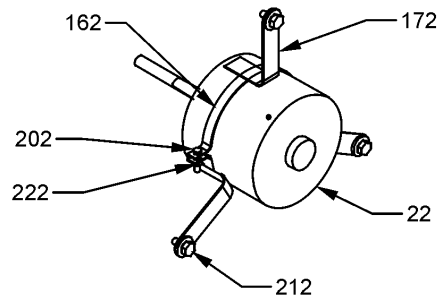


Image 2



# Blower Assembly

Ref. Part No: No:	Description:	Ref. Part No: No:	Description:
-------------------	--------------	-------------------	--------------

**Image 1:**

11	10324248	BLOWER HOUSING 10 X 8 (M4, M5)
11	0271G00017	BLOWER HOUSING 11 X 8 (M6)
11	10324246	BLOWER HOUSING 9 X 6 (M1, M2)
11	10324247	BLOWER HOUSING 9 X 8 (M3)
21	0131M00010P	BLOWER MOTOR 1/2 HP, 3 SP, 8 PL (M4, M5)
21	11091202	BLOWER MOTOR 1/3 HP, 3 SP, 6 PL (M2, M3)
21	11091207	BLOWER MOTOR 1/4 HP, 3 SP, 8 PL (M1)
31	B1368016	BLOWER WHEEL 10 X 8 (M4, M5)
31	B1368054	BLOWER WHEEL 11 X 8 (M6)
31	0150M00000P	BLOWER WHEEL 9 X 6 (M2)
31	B1368042	BLOWER WHEEL 9 X 6 (M1)
31	B1368036	BLOWER WHEEL 9 X 8 (M3)
41	0270G00025P	TRANSITION DUCT ASSY-ALL (M4, M5, M6)
41	0270G00023P	TRANSITION DUCT ASSY-EX1520 (M1)
41	0270G00024P	TRANSITION DUCT ASSY-EX20 (M2, M3)
51	CAP100000370LA	CAPACITOR 10/370V (M1, M2, M3)
51	CAP150000370LA	CAPACITOR 15/370V (M4, M5)
61	0121G00039P	HEATER KIT COVER
71	20520901	CAPACITOR STRAP (M1, M2, M3, M4, M5)
81	0121G00128P	BLOWER MOUNT (M6)
81	0121G00035P	BLOWER MOUNT 10 X 8 (M4, M5)
81	0121G00033P	BLOWER MOUNT 9 X 6 (M1, M2)
81	0121G00034P	BLOWER MOUNT 9 X 8 (M3)
91	0121G00040P	BLOWER SUPPORT
211	M0250558	TC SCREW (M1, M2, M3, M4, M5)
NS	C6121802	BLOWER CUT-OFF (M1, M2)
NS	C6121810	BLOWER CUT-OFF (M3, M4, M5)
NS	2964700	BLOWER CUT-OFF 11 X 8 (M6)
NS	B821700	CAPACITOR BOOT (M1, M2, M3, M4, M5)
NS	B1392143	GROMMET, 26TAL F/TORSIN FLEX (M1, M3, M4, M5)

**Image 2:**

22	0131M00425	BLOWER MOTOR (M6)
162	0121M00038	MOTOR MOUNT BAND (M6)
172	B1376857	MOTOR MOUNT ARM (M6)
202	B1393323	MACHINE SCREW HWH 1/4-20 X 1-1/2 BZ (M6)
212	M0250565	TC SCREW 1.25" (M6)
222	B1393800	LOCKNUT, NYLON, INSERT 1/4, 20 (M6)

**Expanded Model Nomenclature**

M1 - APC1324H41CA
M2 - APC1330H41CA
M3 - APC1336H41CA
M4 - APC1342H41CA
M5 - APC1349H41CA
M6 - APC1360H41DA