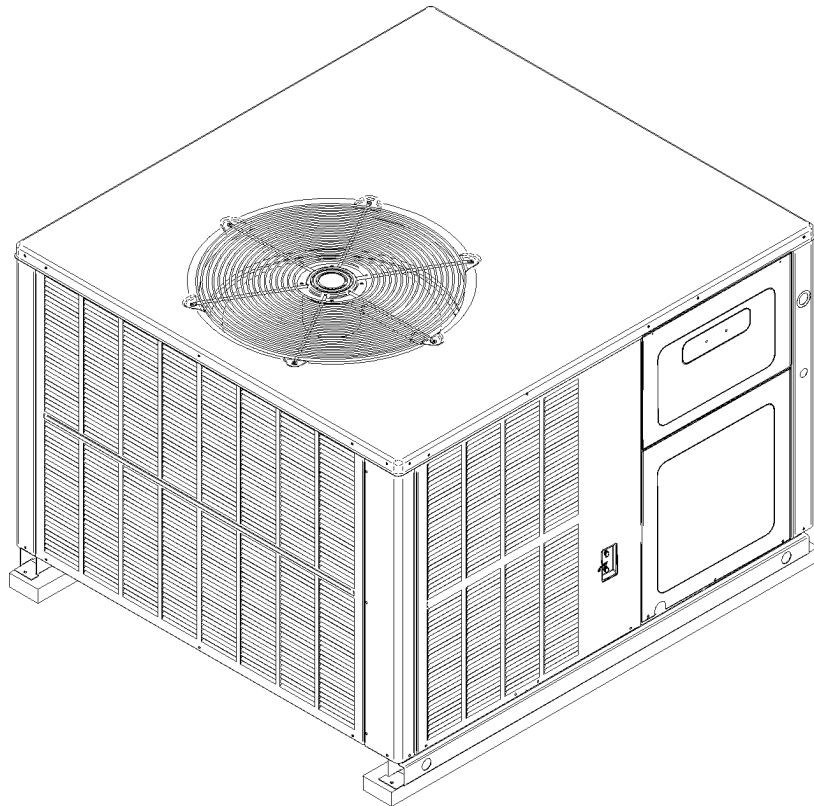


APC13 "M" Series Package Cooling Units

APC1336M41CA

APC1348M41CA

APC1360M41CA



Amana is a registered trademark of Maytag Corporation or its related companies and is used under license to Goodman Company, L.P., Houston, TX. All rights reserved.

This manual is to be used by qualified technicians only.

Important Information

Index

Functional Parts List	3
Illustration and Parts	4 - 11

Views shown are for parts illustrations only, not servicing procedures.

Text Codes:

AR - As Required

NA - Not Available

NS - Not Shown

00000000 - See Note

QTY - Quantity Example (QTY 3) (If Quantity not shown, Quantity = 1)

M - Model Example (M1) (If M Code not shown, then part is used on all Models)

Expanded Model Nomenclature:

Example M1 - Model#1 M2 - Model#2 M3 - Model#3

Goodman Company, L.P. is not responsible for personal injury or property damage resulting from improper service. Review all service information before beginning repairs.

Warranty service must be performed by an authorized technician, using authorized factory parts. If service is required after the warranty expires, Goodman Company, L.P. also recommends contacting an authorized technician and using authorized factory parts.

Goodman Company, L.P. reserves the right to discontinue, or change at any time, specifications or designs without notice or without incurring obligations.

For assistance within the U.S.A. contact:

Consumer Affairs Department
Goodman Company, L.P.
7401 Security Way
Houston, Texas 77040
877-254-4729-Telephone
713-863-2382-Facsimile

For assistance outside the U.S.A. contact:

International Division
Goodman Company, L.P.
7401 Security Way
Houston, Texas 77040
713-861-2500-Telephone
713-863-2382-Facsimile

Functional Parts

Part

No: Description:

0130M00014	240 VOLT RELAY (M1)
D6723303	BLOWER WHEEL
CAP100000370VA	CAPACITOR 10/370V [BLOWER] (M1)
CAP050450440RT	CAPACITOR 5/45/440V (M1, M2)
CAP050700440RT	CAPACITOR 5/70 MFD/440V/DUAL RD (M3)
ZP31K5EPFV130	COMPRESSOR 31100, 208/230/60/1 (M1)
ZP39K5EPFV130	COMPRESSOR 39000, 208/230/60/1 (M2)
ZP51K5EPFV130	COMPRESSOR 51000, 208/230/60/1 (M3)
0131M00429	COND MOTOR 1/4 HP, 1 SP, 6 PL
CONT1P025024V	CONTACTOR 25 AMP, 1P, 24V (M1)
CONT2P040024V	CONTACTOR 40 AMP, 2P, 24V (M2, M3)
0150M00011	FAN BLADE SWEPT-WING (M2, M3)
0150G00002	FAN BLADE SWEPT-WING (M1)
0130M00074	HIGH PRESSURE SWITCH
PCBFM103	PCB, TIME DELAY, EBTDR (M1)
0131M00467	PROGRAMMED MOTOR (M2)
0131M00460	PROGRAMMED MOTOR (M3)
0130M00138	TRANSFORMER, 208/230, 24V

Expanded Model Nomenclature

M1 - APC1336M41CA
M2 - APC1348M41CA
M3 - APC1360M41CA

Cabinet Assembly

Image 1

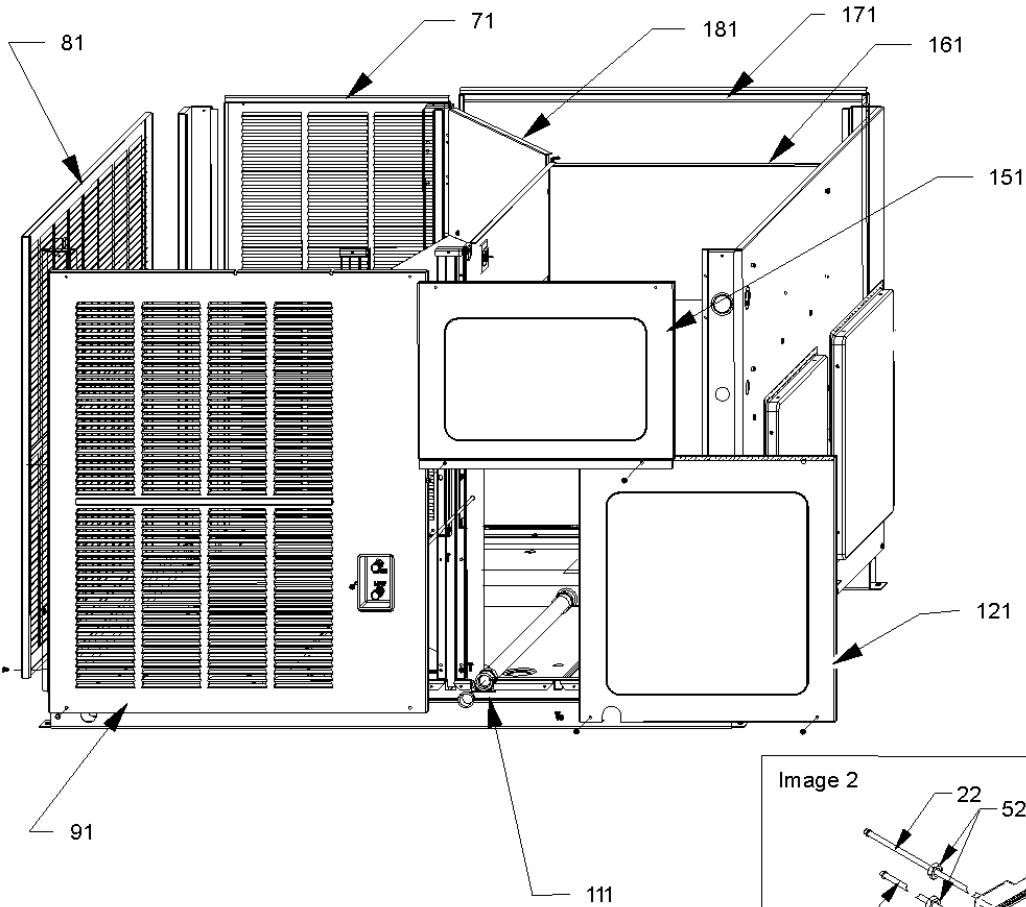
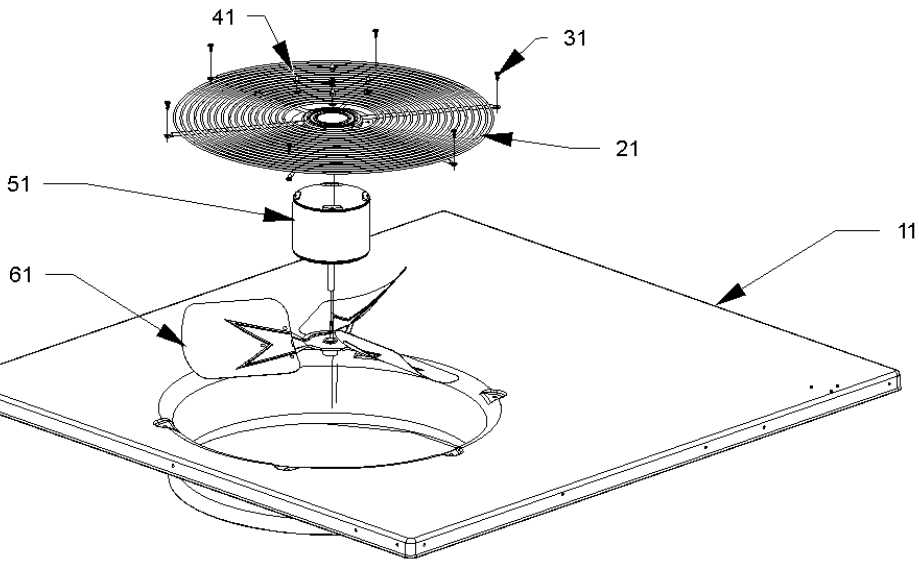
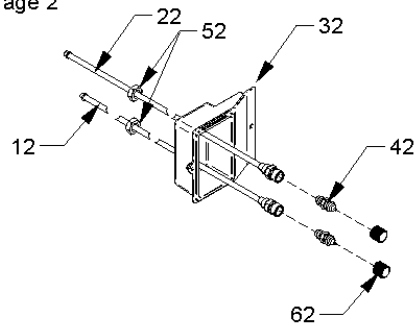


Image 2



Cabinet Assembly

Ref. Part No:	No:	Description:	Ref. Part No:	No:	Description:
---------------	-----	--------------	---------------	-----	--------------

Image 1:

11	0121G00156PDG	PNL, TOP, PNT
21	0152G00000	FAN GRILLE, RAISED
31	M0221817	SMALL SCREW (QTY 6)
41	0163M00006P	ACORN NUT 5/16 HEX BLACK (QTY 4)
51	0131M00429	COND MOTOR 1/4 HP, 1 SP, 6 PL
61	0150G00002	FAN BLADE SWEPT-WING (M1)
61	0150M00011	FAN BLADE SWEPT-WING (M2, M3)
71	20467701PLG	LOUVERED PANEL, COND SIDE 32" (M1)
71	20467702PLG	LOUVERED PANEL, COND SIDE 40" (M2, M3)
81	20464401PLG	LOUVERED PANEL, COND SIDE 32" (M1)
81	20464402PLG	LOUVERED PANEL, COND SIDE 40" (M2, M3)
91	0121G00223DG	SOLID PANEL COMPRESSOR 32.5" (M1)
91	0121G00224DG	SOLID PANEL COMPRESSOR 40" (M2)
111	0261G00000	DRAIN PIPE
121	0121G00165PDG	PNL, BLO, CNVRT, 32.5", PNT (M1)
121	0121G00168PDG	PNL, BLO, CNVRT, 40", PNT (M2, M3)
151	0121G00213DG	CONTROL BOX PANEL
161	0121G00158	EVAP BLOCK-OFF 32.5" (M1)
161	0121G00159	EVAP BLOCK-OFF 40" (M2, M3)
171	20464801PDG	BLOWER DOOR 32" (M1)
171	20464806PDG	BLOWER DOOR 40" (M2, M3)
181	0221G00013P	ASSY, FAN SHROUD
NS	17788000083F	PVC CONDUIT 8.25"

Image 2:

12	0210G00031P	PROCESS TUBE ASSY-SUCTION
22	0210G00390	PROCESS TUBING ASSY (M1)
22	0210G00392	PROCESS TUBING ASSY (M2, M3)
32	0161G00008	ACCESS-FITTING BOX
42	B1373315	ACCESS FITTING (QTY 2)
52	0163G00000P	FASTEST FITTING NUT (QTY 2)
62	0163M00175	CAP WITH O-RING (QTY 2)

Expanded Model Nomenclature

- | |
|-------------------|
| M1 - APC1336M41CA |
| M2 - APC1348M41CA |
| M3 - APC1360M41CA |

Partition Panel/Compressor

Image 1

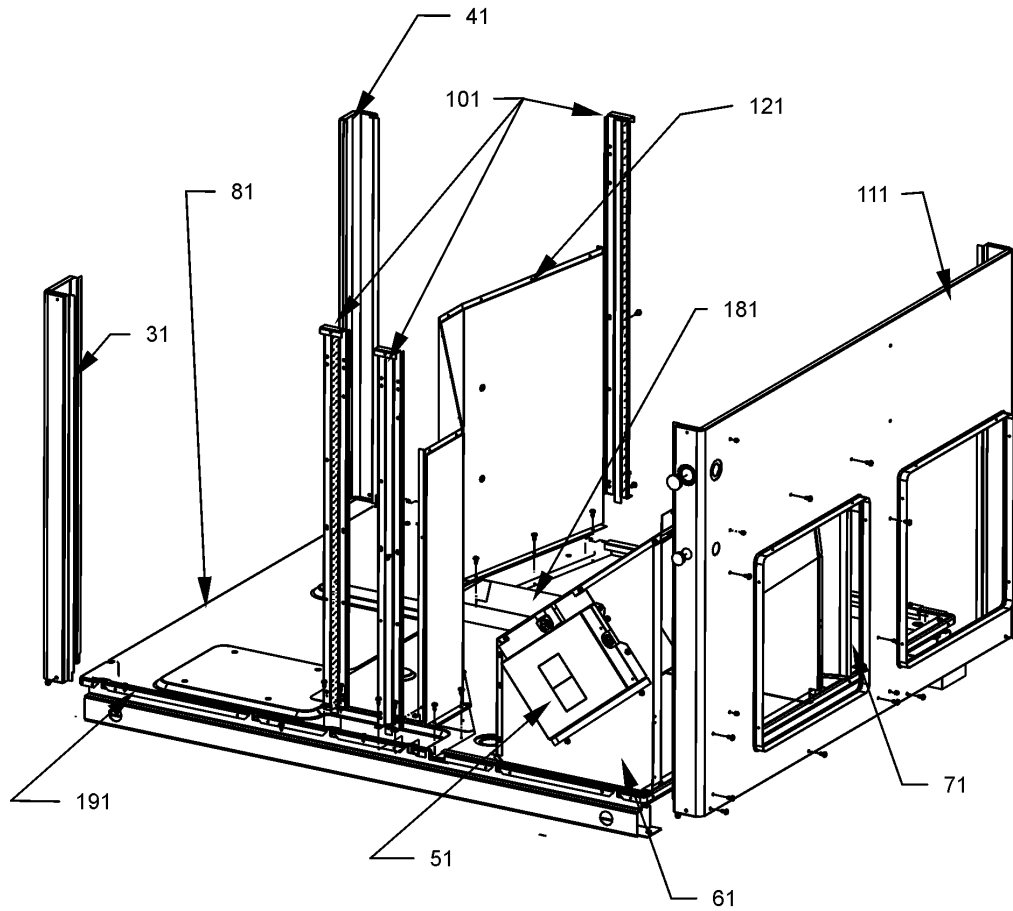
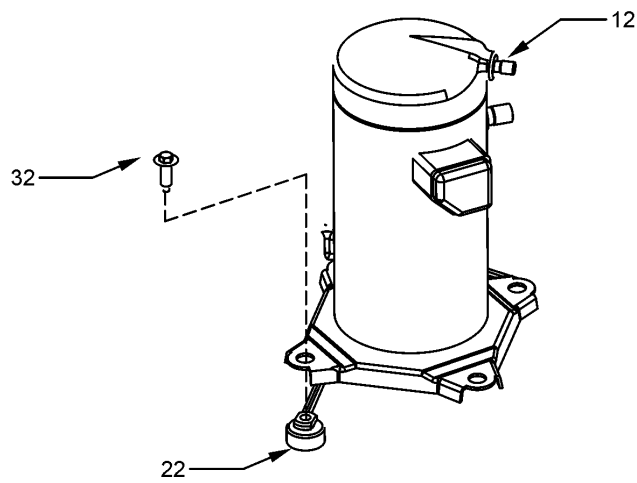


Image 2



Partition Panel/Compressor

Ref. Part No:	Part No:	Description:	Ref. Part No:	Part No:	Description:
---------------	----------	--------------	---------------	----------	--------------

Image 1:

31	20464202PDG	CORNER POST-COMP END 40" (M2, M3)
31	0121G00453DG	CORNER-POST COMP END, PNT (M1)
41	20464302PDG	CORNER POST-HAIRPIN END 40" (M2, M3)
41	0121G00454DG	CORNER-POST HPIN END, PNT (M1)
51	0121G00528	COVER, HK (QTY 2)
61	0221G00014	BLOWER TRANSITION ASSY
71	0121G00158	EVAP BLOCK-OFF 32.5" (M1)
71	0121G00159	EVAP BLOCK-OFF 40" (M2, M3)
81	0121G00444	BASEPAN, PACKAGE
101	0121G00460	POST-SUPPORT, SIDE (M1)
101	0121G00462	POST-SUPPORT, SIDE (M2, M3)
111	0121G00440DG	PNL, DUCT, CNVRT 32.5" (M1)
111	0121G00441DG	PNL, DUCT, CNVRT 40" (M2, M3)
121	0121G00510	PARTITION, 32.5" (M1)
121	0121G00511	PARTITION, 40" (M2, M3)
181	0161G00003	PLASTIC DRIP PAN
191	0121G00290	BASE PAN RAIL (QTY 2)
NS	0121G00235	FAN BAFFLE
NS	B1219225	SINGLE-FLOW FILTER DRIER, STEEL (M1)

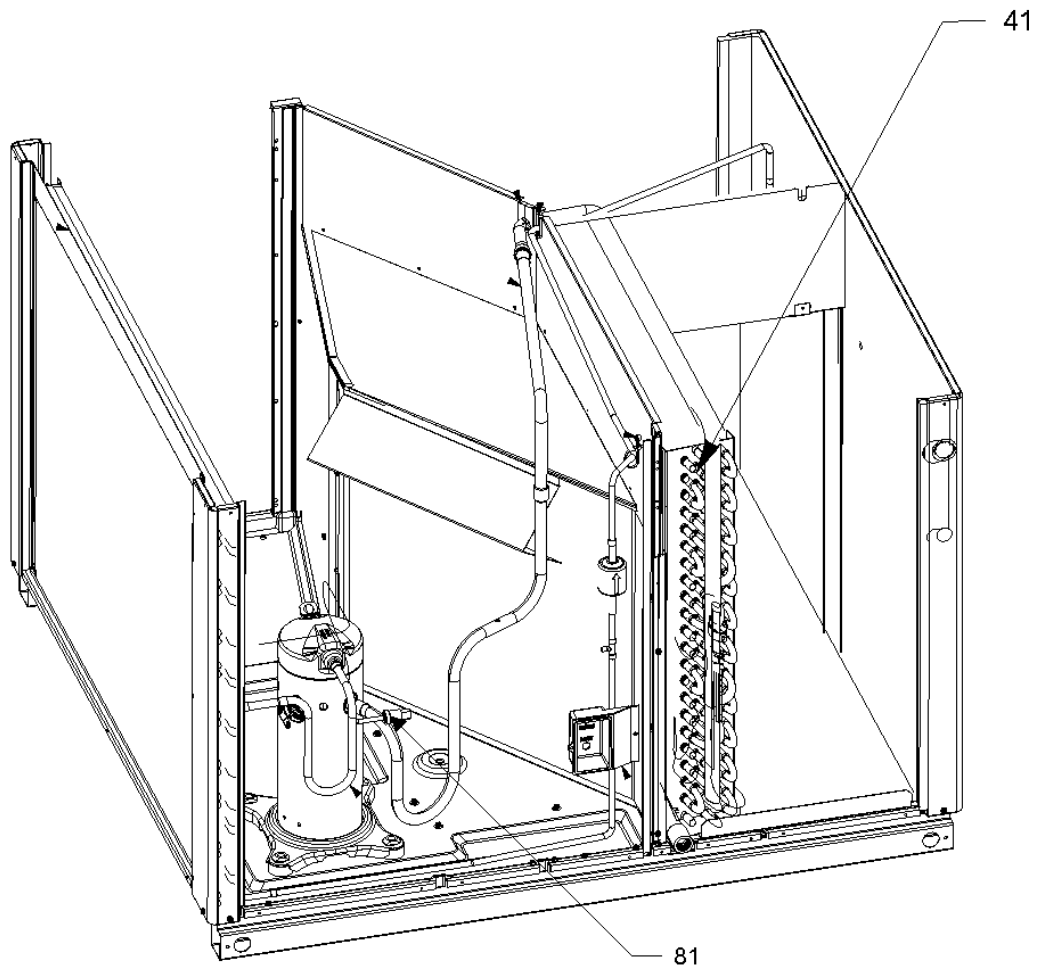
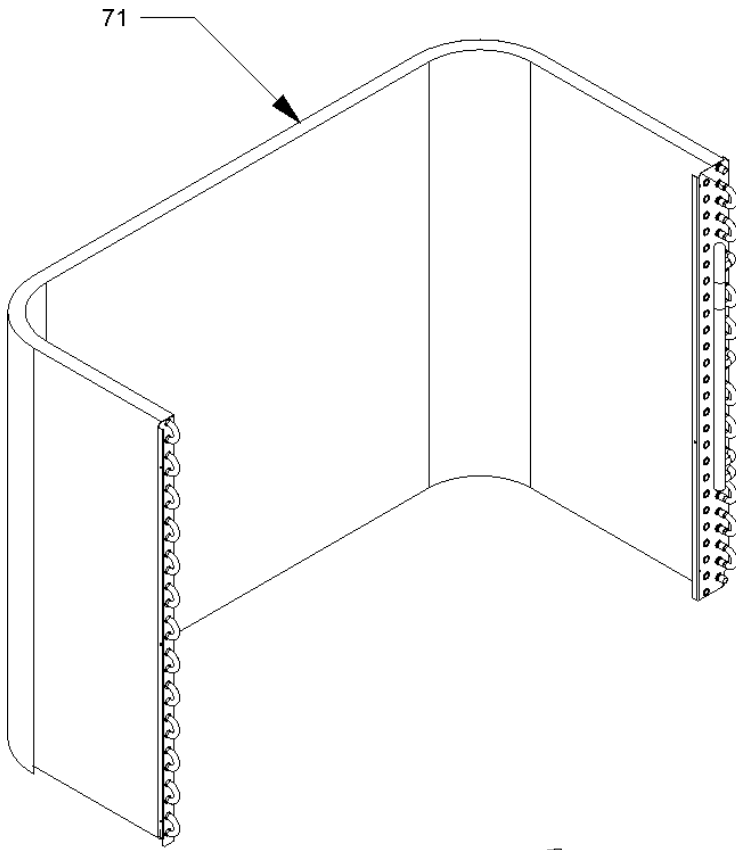
Image 2:

12	ZP31K5EPFV130	COMPRESSOR 31100, 208/230/60/1 (M1)
12	ZP39K5EPFV130	COMPRESSOR 39000, 208/230/60/1 (M2)
12	ZP51K5EPFV130	COMPRESSOR 51000, 208/230/60/1 (M3)
22	B1339533	COMPRESSOR GROMMET (QTY 4)
32	M0221641	TF SHOULDER SCREW (QTY 4)
NS	0159G00002	COMPRESSOR SCROLL HARNESS (M1, M2)
NS	0159G00005	COMPRESSOR SCROLL HARNESS (M3)

Expanded Model Nomenclature

M1 - APC1336M41CA
M2 - APC1348M41CA
M3 - APC1360M41CA

Coil/Evap Assembly



Coil/Evap Assembly

Ref. Part No:	No:	Description:	Ref. Part No:	No:	Description:
---------------	-----	--------------	---------------	-----	--------------

Image 1:

41	0202G00452	EVAP COIL ASSY (M1)
41	0202G00453	EVAP COIL ASSY (M2)
41	0202G00454	EVAP COIL ASSY (M3)
71	0201G00093	COND COIL TUBING ASSY (M3)
71	0201G00144	COND COIL TUBING ASSY (M2)
71	0201G00249	COND COIL TUBING ASSY (M1)
81	0130M00074	HIGH PRESSURE SWITCH

Expanded Model Nomenclature

M1 - APC1336M41CA
M2 - APC1348M41CA
M3 - APC1360M41CA

Control Panel/Blower Assembly

Image 1

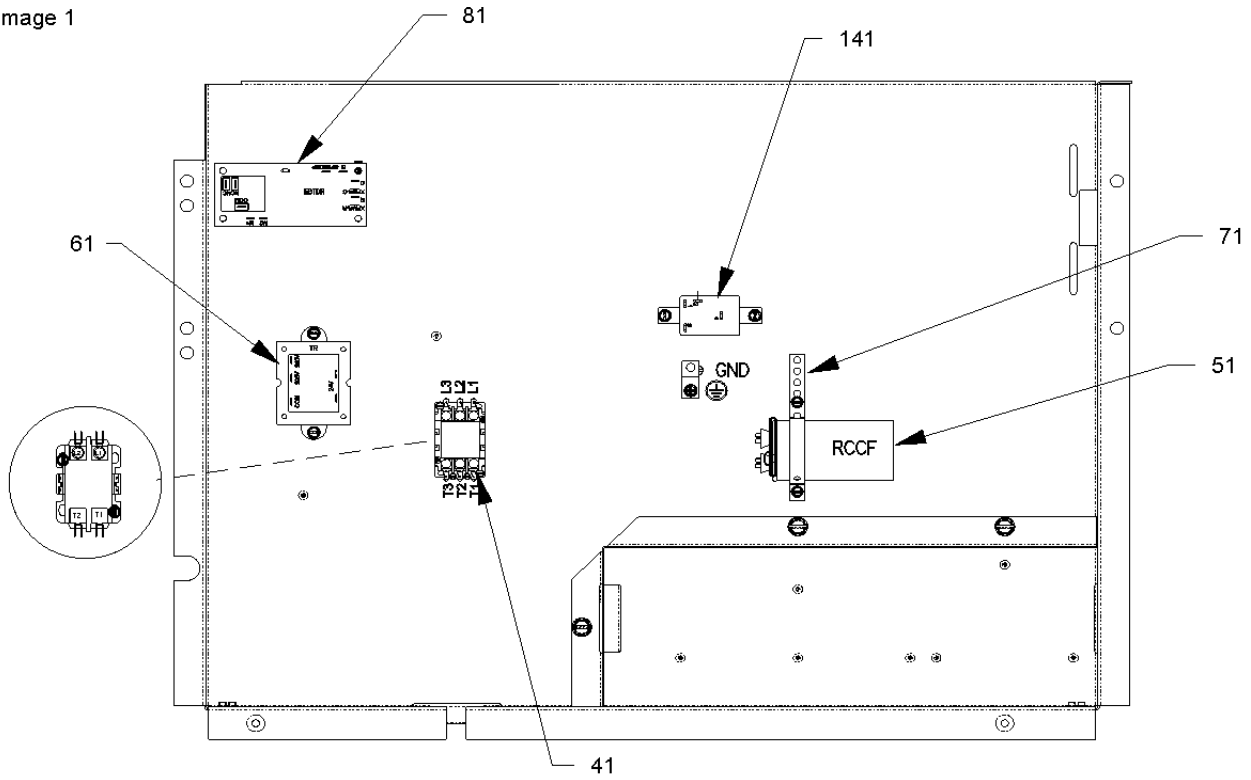
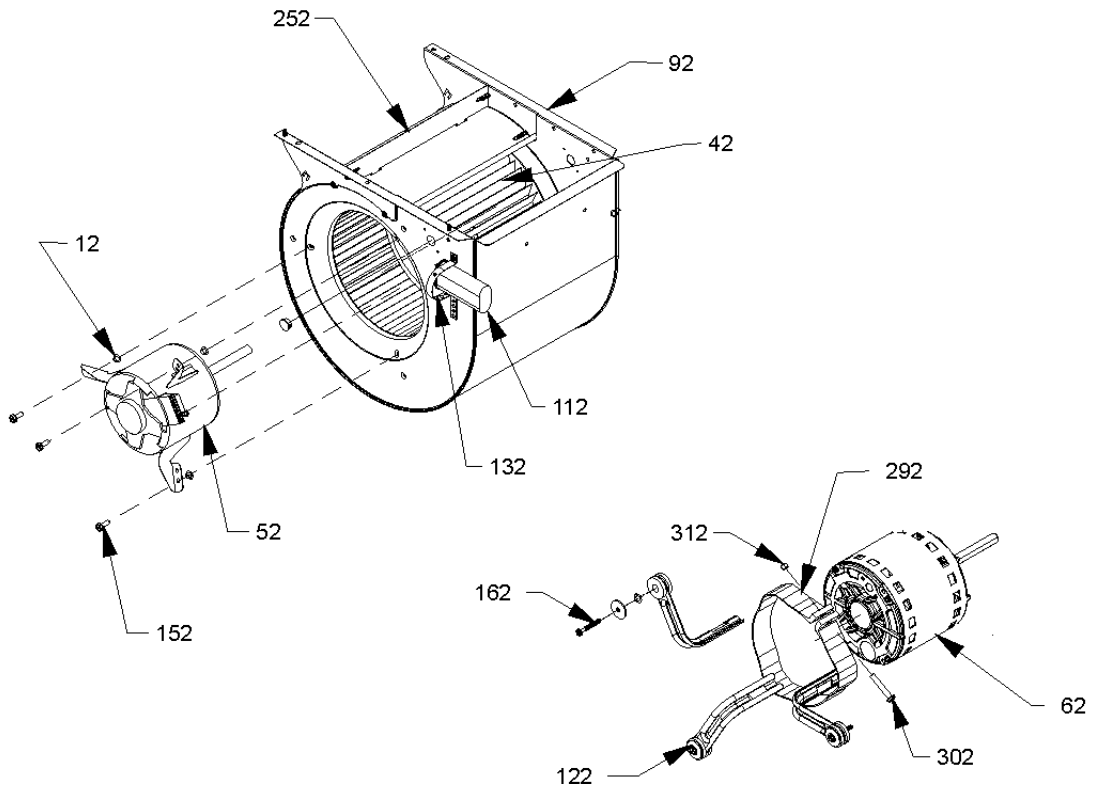


Image 2



Control Panel/Blower Assembly

Ref. Part No: No:	Description:	Ref. Part No: No:	Description:
-------------------	--------------	-------------------	--------------

Image 1:

41	CONT1P025024V	CONTACTOR 25 AMP, 1P, 24V (M1)
41	CONT2P040024V	CONTACTOR 40 AMP, 2P, 24V (M2, M3)
51	CAP050450440RT	CAPACITOR 5/45/440V (M1, M2)
51	CAP050700440RT	CAPACITOR 5/70 MFD/440V/DUAL RD (M3)
61	0130M00138	TRANSFORMER, 208/230, 24V
71	20520901	CAPACITOR STRAP
81	PCBFM103	PCB, TIME DELAY, EBTDR (M1)
141	0130M00014	240 VOLT RELAY (M1)
NS	0259G00004	WIRE HARNESS, ELECTRIC HEAT (M1)
NS	0259G00021	WIRE HARNESS, ELECTRIC HEAT (M2, M3)

Image 2:

12	B1392143	GROMMET, 26TAL F/TORSIN FLEX (M1)
42	D6723303	BLOWER WHEEL
52	11091203	BLOWER MOTOR 1/3 HP, 3 SP, 6 PL (M1)
62	0131M00460	PROGRAMMED MOTOR (M3)
62	0131M00467	PROGRAMMED MOTOR (M2)
92	0271G00024	BLOWER HOUSING ASSY 10 X 9
112	CAP100000370VA	CAPACITOR 10/370V [BLOWER] (M1)
122	B1376857	MOTOR MOUNT ARM (M2, M3)
132	20520901	CAPACITOR STRAP
152	M0250558	TC SCREW (M1)
162	M0250565	TC SCREW 1.25" (M2, M3)
252	764742	BLOWER BLOCK-OFF
292	0121M00038	MOTOR MOUNT BAND (M2, M3)
302	B1393323	MACHINE SCREW HWH 1/4-20 X 1-1/2 BZ (M2, M3)
312	B1393800	LOCKNUT, NYLON, INSERT 1/4, 20 (M2, M3)
NS	0259G00057	BLOWER HARNESS (M2, M3)
NS	B821700	CAPACITOR BOOT (M1)

Expanded Model Nomenclature

M1 - APC1336M41CA
M2 - APC1348M41CA
M3 - APC1360M41CA