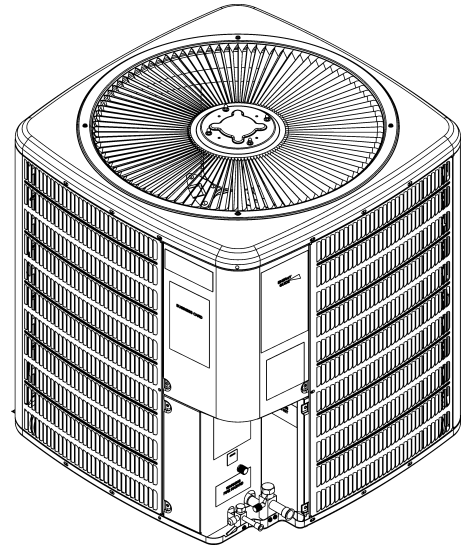


ANZ14 Remote Heat Pump

ANZ140181AE
ANZ140301AE
ANZ140361AD
ANZ140421AD
ANZ140421AE
ANZ140481AC
ANZ140481AD
ANZ140491AD
ANZ140601AC



Amana® is a registered trademark of Maytag Corporation or its related companies and is used under license. All rights reserved.

This manual is to be used by qualified technicians only.

This manual replaces RP-A4309A.

© 2018 - 2019 Goodman Company, L.P. ♦ 19001 Kermier Rd. ♦ Waller, TX 77484

Important Information

Index

Functional Parts List	3
Illustration and Parts	4 - 9

Views shown are for parts illustrations only, not servicing procedures

Text Codes:

AR - As Required

NA - Not Available

NS - Not Shown

00000000 - See Note

QTY - Quantity Example (QTY 3) (If Quantity not shown, Quantity = 1)

M - Model Example (M1) (If M Code not shown, then part is used on all Models)

Expanded Model Nomenclature:

Example M1 - Model#1 M2 - Model#2 M3 - Model#3

Goodman Company, L.P. is not responsible for personal injury or property damage resulting from improper service. Review all service information before beginning repairs.

Warranty service must be performed by an authorized technician, using authorized factory parts. If service is required after the warranty expires, Goodman Company, L.P. also recommends contacting an authorized technician and using authorized factory parts.

Goodman Company, L.P. reserves the right to discontinue, or change at any time, specifications or designs without notice or without incurring obligations.

For assistance within the U.S.A. contact:

Homeowner Support
Goodman Company, L.P.
19001 Kermier Road
Waller, Texas 77484
877-254-4729-Telephone
713-863-2382-Facsimile

For assistance outside the U.S.A. contact:

International Division
Goodman Company, L.P.
19001 Kermier Road
Waller, Texas 77484
713-861-2500-Telephone
713-863-2382-Facsimile

Functional Parts

Part

No: Description:

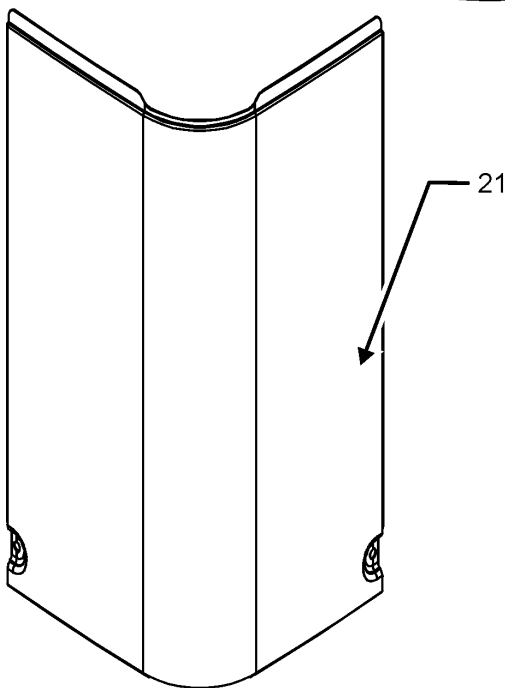
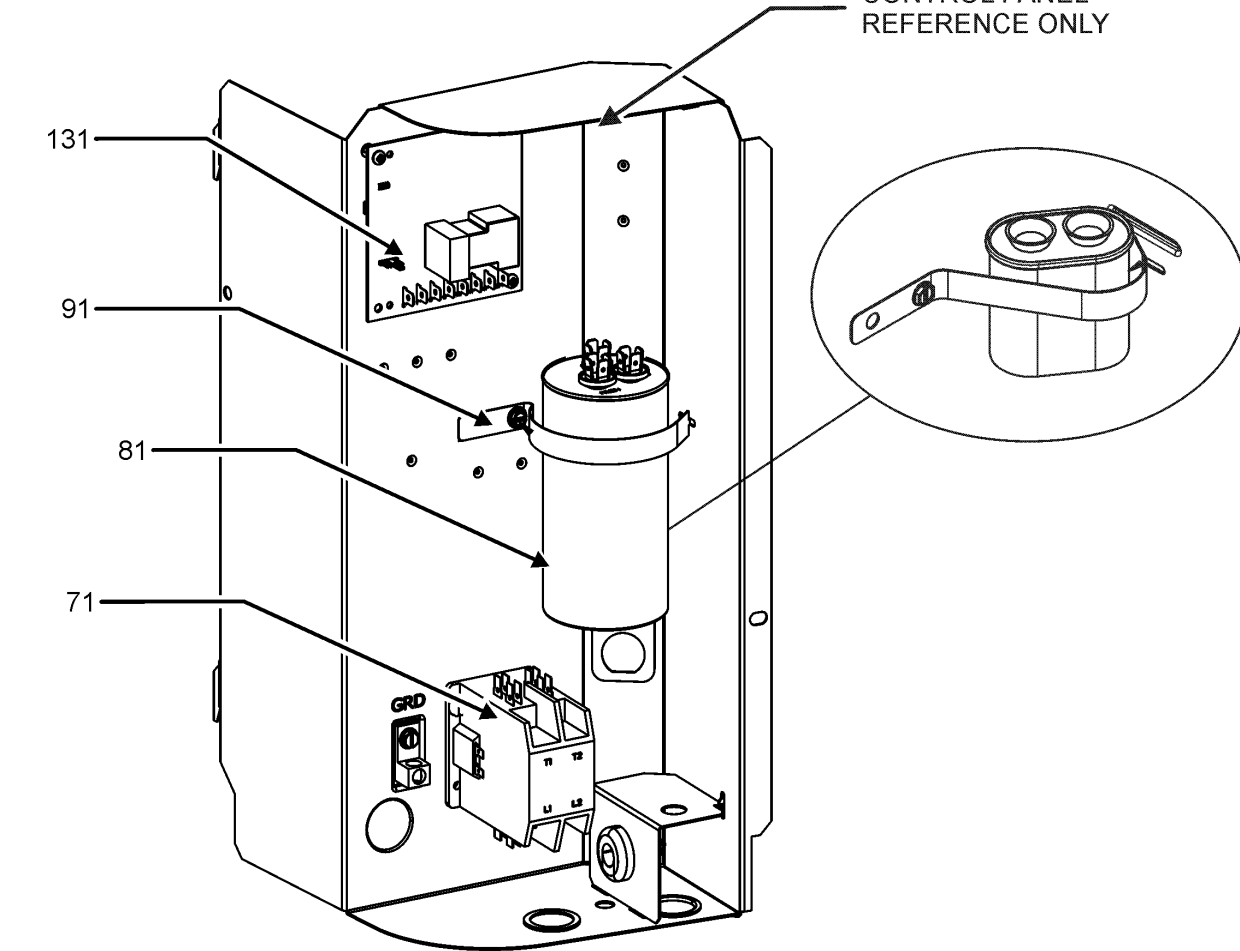
Part No:	Description:	0161R00087	NAMEPLATE, AMANA LOGO
0151L00008	ACCUMULATOR (M3)		
0151R00004P	ACCUMULATOR .750 (M1, M2)		
B1226207	ACCUMULATOR .875 (M4, M5, M6, M7, M8, M9)		
0151R00079	BASE VALVE 3/4" (M1, M2, M3)		
0151R00167	BASE VALVE 3/8"		
0151R00080	BASE VALVE 7/8" (M4, M5, M6, M7, M8, M9)		
CAP050300440CS	CAP,5/30MFD/440V/DUAL RD (M1)		
CAP050350440CS	CAPACITOR 5/35/440V (M2)		
CAP050450440CT	CAPACITOR 5/45/440V/DUAL RD (M3, M4, M5, M6, M7, M8)		
CAP050700440CT	CAPACITOR 5/70/440V/DUAL RD (M9)		
ZP14K6EPFV120	COMP, 20200, 208/230/60/1 (M1)		
ZP25K6EPFV120	COMP, 34200, 208/230/60/1 (M2)		
ZP31K6EPFV120	COMP, 42500, 208/230/60/1 (M3)		
ZP34K6EPFV120	COMP, 46500, 208/230/60/1 (M4, M5)		
ZP40K6EPFV120	COMP, 53700, 208/230/60/1 (M6, M7)		
ZP39K5EPFV130	COMP,39000,208/230/60/1 (M8)		
ZP51K5EPFV130	COMP,51000,208/230/60/1 (M9)		
CONT1P025024V	CONTACTOR 25 AMP, 1P, 24V (M1, M2, M3, M4, M5)		
CONT1P030024V	CONTACTOR 30 AMP, 1P, 24V (M6, M7, M8, M9)		
0130M00250	CONTROL, DEFROST		
0130M00089	CUT-OUT SWITCH, HIGH PRESSURE		
0130M00088	CUT-OUT SWITCH, LOW PRESSURE		
PCBDM133	DEFROST CONTROL BOARD		
0130M00106	DISC THERMOSTAT CRNKCS HTR SW		
0150M00008	FAN BLADE 22" TNT2203-25 (M1, M2, M3)		
B1086765	FAN BLADE TYPE 3 (M6, M7)		
0150M00054	FAN BLADE, 26" (M4, M5, M8, M9)		
0163R00006	HEATER, CRANKCASE 230V, 40W (M1, M2, M3)		
0163R00007	HEATER, CRANKCASE 230V, 40W (M4, M5, M6, M7, M8, M9)		
0130M00088	LOW PRESSURE SWITCH		
0131M00807	MOTOR, 1/4HP,1SP,8PL,AL (M6, M7, M9)		
0131M00753	MOTOR, 1/6HP, 1SP, 8PL, AL (M1, M2, M3)		
0131M00945	MOTOR, 1/6HP, 8PL (M5)		
0131M00754	MOTOR, PSC, 1/6HP, 8PL (M4, M8)		
0151R00069	REVERSING VALVE (M2, M3)		
0151R00071	REVERSING VALVE (M4, M5, M6, M7, M8, M9)		
0151R00068	REVERSING VALVE (M1)		

Expanded Model Nomenclature

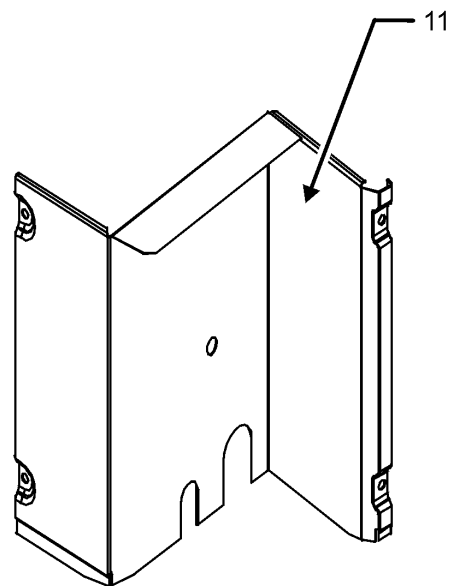
- | |
|------------------|
| M1 - ANZ140181AE |
| M2 - ANZ140301AE |
| M3 - ANZ140361AD |
| M4 - ANZ140421AD |
| M5 - ANZ140421AE |
| M6 - ANZ140481AC |
| M7 - ANZ140481AD |
| M8 - ANZ140491AD |
| M9 - ANZ140601AC |

Control Box Assembly

CONTROL PANEL
REFERENCE ONLY



UPPER ACCESS PANEL



LOWER ACCESS PANEL

Control Box Assembly

Ref. Part No:	Part No:	Description:	Ref. Part No:	Part No:	Description:
---------------	----------	--------------	---------------	----------	--------------

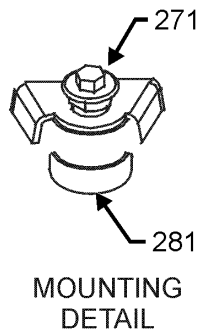
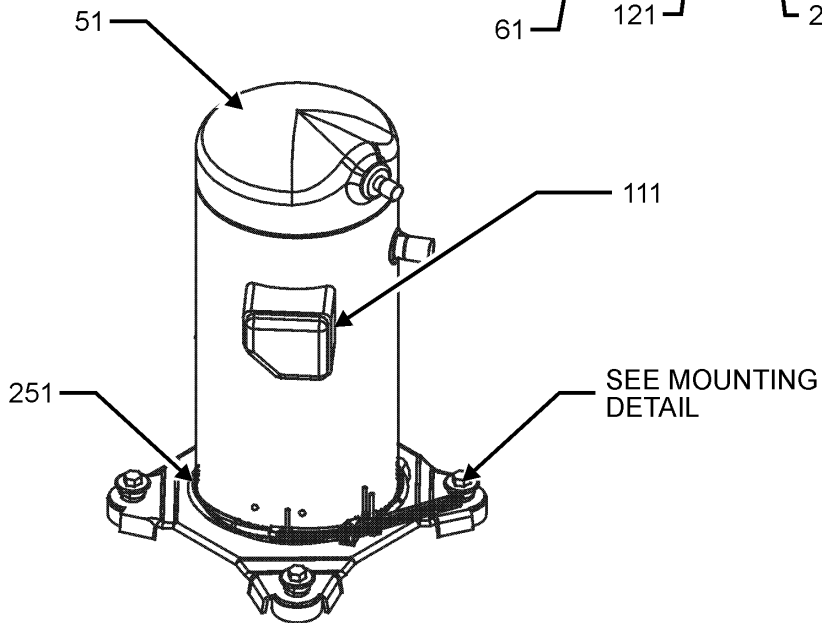
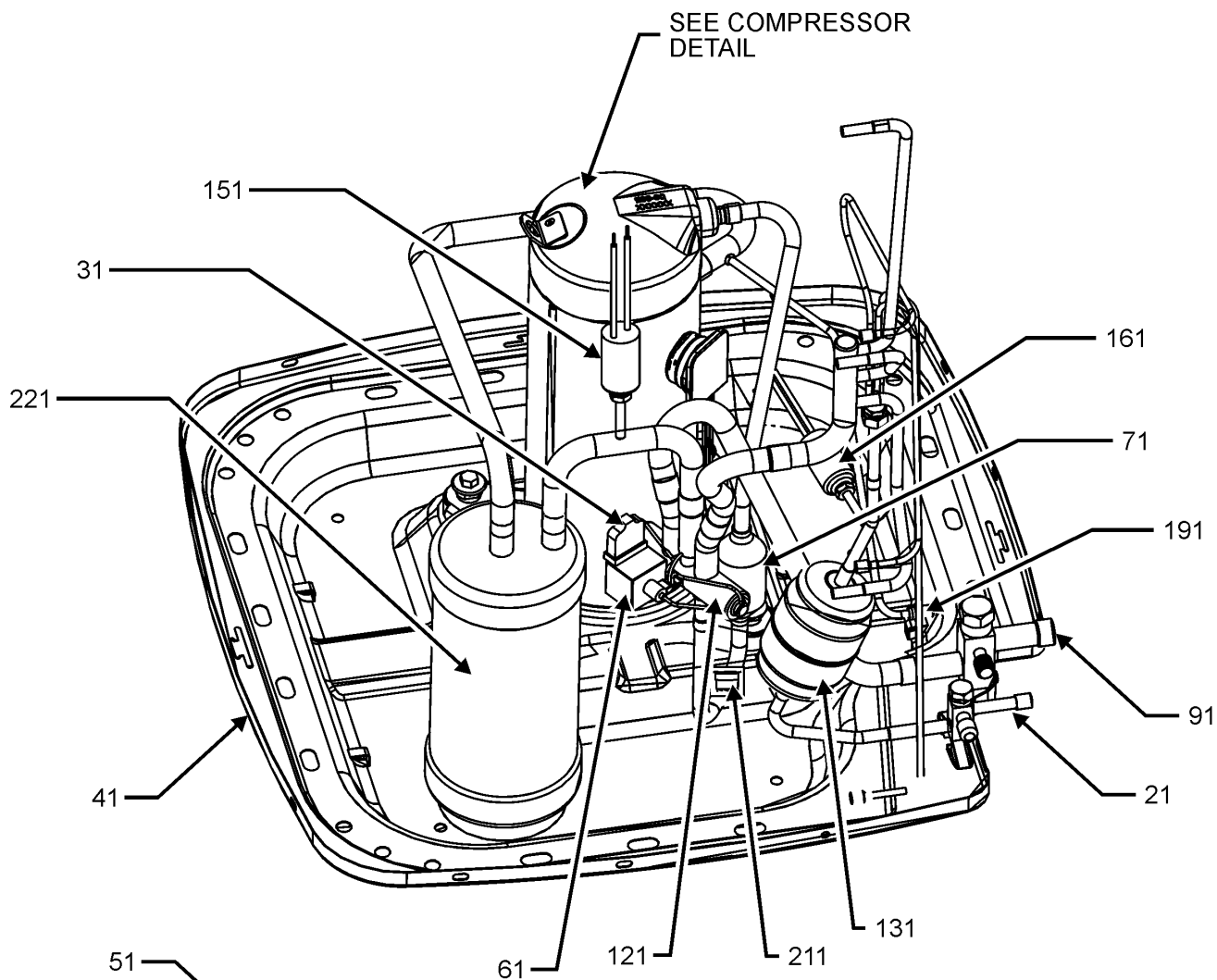
Image 1:

11	0121R00154PDG	PANEL, LOWER ACCESS PNT (M2, M3, M6, M7)
11	0121R00625PDG	PANEL, LOWER ACCESS PNT (M1, M8, M9)
11	0121R00328PDG	PANEL, LOWR ACCESS PNT (M4, M5)
21	0121R00053PDG	CONTROL COVER
71	CONT1P025024V	CONTACTOR 25 AMP, 1P, 24V (M1, M2, M3, M4, M5)
71	CONT1P030024V	CONTACTOR 30 AMP, 1P, 24V (M6, M7, M8, M9)
81	CAP050300440CS	CAP,5/30MFD/440V/DUAL RD (M1)
81	CAP050350440CS	CAPACITOR 5/35/440V (M2)
81	CAP050450440CT	CAPACITOR 5/45/440V/DUAL RD (M3, M4, M5, M6, M7, M8)
81	CAP050700440CT	CAPACITOR 5/70/440V/DUAL RD (M9)
91	4400065	CAPACITOR STRAP
131	PCBDM133	DEFROST CONTROL BOARD
NS	0161R00087	NAMEPLATE, AMANA LOGO

Expanded Model Nomenclature

- | |
|------------------|
| M1 - ANZ140181AE |
| M2 - ANZ140301AE |
| M3 - ANZ140361AD |
| M4 - ANZ140421AD |
| M5 - ANZ140421AE |
| M6 - ANZ140481AC |
| M7 - ANZ140481AD |
| M8 - ANZ140491AD |
| M9 - ANZ140601AC |

Compressor and Tubing Assembly



NOTE: TUBING ASSEMBLY MAY DIFFER FROM WHAT IS SHOWN

Compressor and Tubing Assembly

Ref. Part No:	Part No:	Description:	Ref. Part No:	Part No:	Description:
---------------	----------	--------------	---------------	----------	--------------

Image 1:

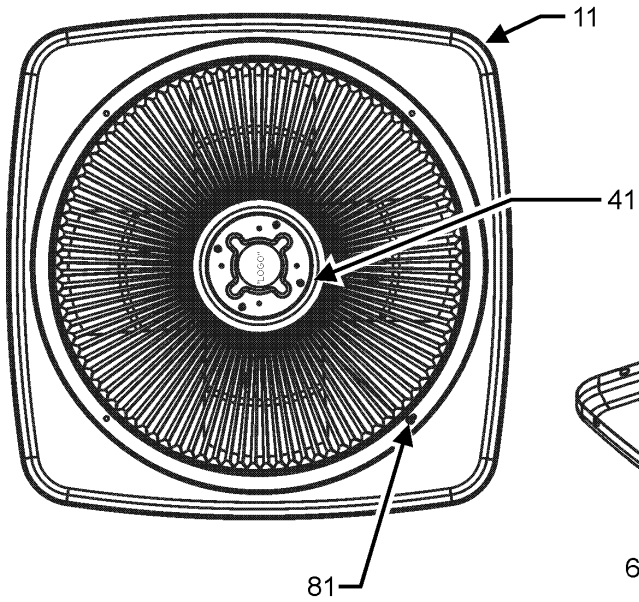
21	0151R00167	BASE VALVE 3/8"			
31	0130M00410	REVERSING VALVE HARNESS			
41	0121R00006PDG	BASE PAN 29" (M1, M2, M3, M6, M7)			
41	0121R00007PDG	BASE PAN 35" (M4, M5, M8, M9)			
51	ZP14K6EPFV120	COMP, 20200, 208/230/60/1 (M1)			
51	ZP25K6EPFV120	COMP, 34200, 208/230/60/1 (M2)			
51	ZP31K6EPFV120	COMP, 42500, 208/230/60/1 (M3)			
51	ZP34K6EPFV120	COMP, 46500, 208/230/60/1 (M4, M5)			
51	ZP40K6EPFV120	COMP, 53700, 208/230/60/1 (M6, M7)			
51	ZP39K5EPFV130	COMP,39000,208/230/60/1 (M8)			
51	ZP51K5EPFV130	COMP,51000,208/230/60/1 (M9)			
61	B1225022	SOLENOID COIL			
71	0162R00007	MUFFLER 1/2 X 1/2			
91	0151R00079	BASE VALVE 3/4" (M1, M2, M3)			
91	0151R00080	BASE VALVE 7/8" (M4, M5, M6, M7, M8, M9)			
111	0159R00001P	COMPRESSOR SCROLL HARNESS (M1, M2, M3, M6, M7)			
111	0159R00002P	COMPRESSOR SCROLL HARNESS (M4, M5, M8)			
121	0151R00068	REVERSING VALVE (M1)			
121	0151R00069	REVERSING VALVE (M2, M3)			
121	0151R00071	REVERSING VALVE (M4, M5, M6, M7, M8, M9)			
131	20485201	BI-FLOW FILTER DRIER			
151	0130M00088	CUT-OUT SWITCH, LOW PRESSURE			
151	0130M00088	LOW PRESSURE SWITCH			
161	0130M00089	CUT-OUT SWITCH, HIGH PRESSURE			
191	B1787000	VALVE CORE			
211	0130M00106	DISC THERMOSTAT CRNKCS HTR SW			
221	0151L00008	ACCUMULATOR (M3)			
221	0151R00004P	ACCUMULATOR .750 (M1, M2)			
221	B1226207	ACCUMULATOR .875 (M4, M5, M6, M7, M8, M9)			
251	0163R00006	HEATER, CRANKCASE 230V, 40W (M1, M2, M3)			
251	0163R00007	HEATER, CRANKCASE 230V, 40W (M4, M5, M6, M7, M8, M9)			
271	M0221641	TF SHOULDER SCREW (QTY 4)			
281	B1339533	COMPRESSOR GROMMET (QTY 4)			

Expanded Model Nomenclature

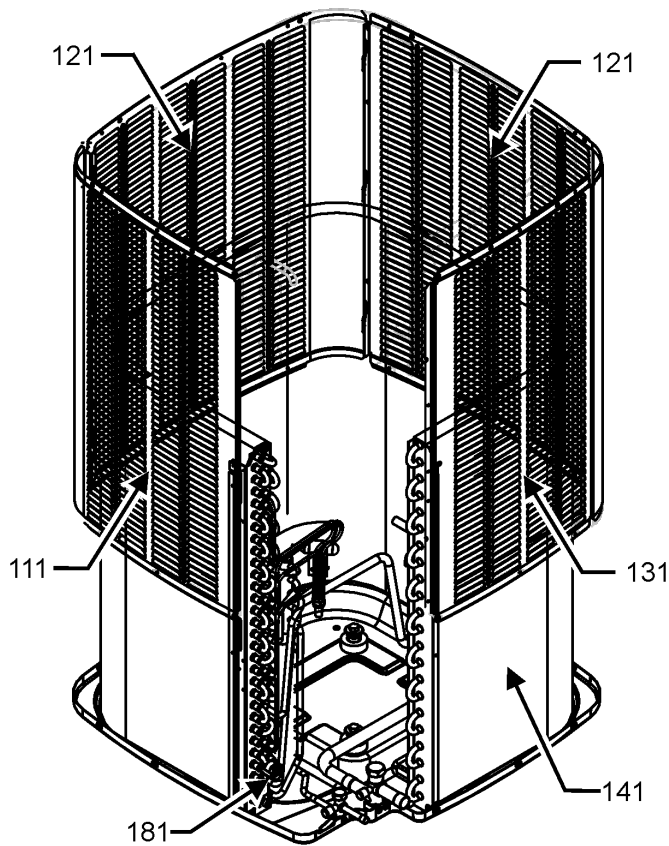
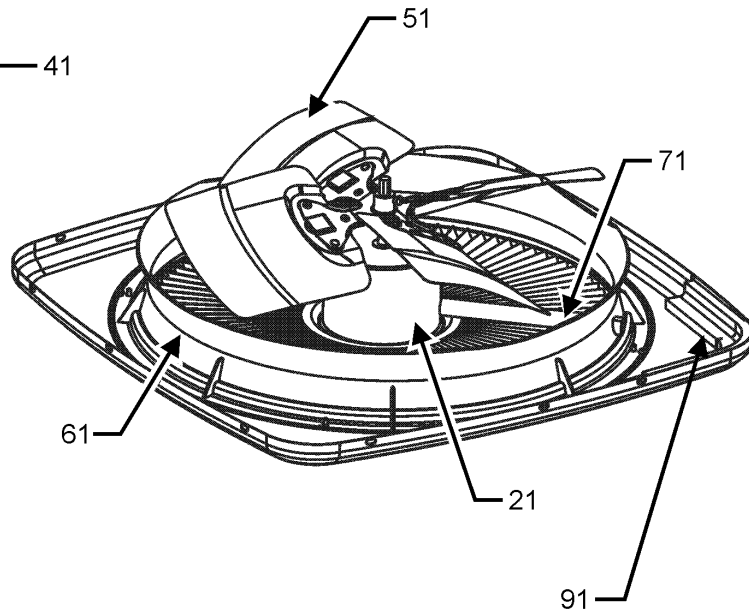
- | |
|------------------|
| M1 - ANZ140181AE |
| M2 - ANZ140301AE |
| M3 - ANZ140361AD |
| M4 - ANZ140421AD |
| M5 - ANZ140421AE |
| M6 - ANZ140481AC |
| M7 - ANZ140481AD |
| M8 - ANZ140491AD |
| M9 - ANZ140601AC |

Top Panel and Louver Panel Assembly

TOP PANEL ASSEMBLY
TOP VIEW



TOP PANEL ASSEMBLY
BOTTOM VIEW



LOUVER PANEL ASSEMBLY1

Top Panel and Louver Panel Assembly

Ref. Part No: No:	Description:	Ref. Part No: No:	Description:
-------------------	--------------	-------------------	--------------

Image 1:

11	0121R00010PDG	TOP PANEL 29" (M1, M2, M3, M6, M7)
11	0121R00269PDG	Top Panel, 35" Pnt (M4, M5, M8, M9)
21	0131M00807	MOTOR, 1/4HP, 1SP, 8PL, AL (M6, M7, M9)
21	0131M00753	MOTOR, 1/6HP, 1SP, 8PL, AL (M1, M2, M3)
21	0131M00945	MOTOR, 1/6HP, 8PL (M5)
21	0131M00754	MOTOR, PSC, 1/6HP, 8PL (M4, M8)
41	0163M00006P	ACORN NUT 5/16 HEX BLACK (QTY 4)
51	0150M00008	FAN BLADE 22" TNT2203-25 (M1, M2, M3)
51	B1086765	FAN BLADE TYPE 3 (M6, M7)
51	0150M00054	FAN BLADE, 26" (M4, M5, M8, M9)
61	0161R00048	MOLDED RING-VENTURI 22 (M1, M2, M3, M6, M7)
61	0161R00049	MOLDED RING-VENTURI 26" (M4, M5, M8, M9)
71	0161R00002P	CONDUIT (M1, M2, M3, M6, M7)
71	0161R00004P	CONDUIT (M4, M5, M8, M9)
81	0163M00004	SCREW #10 X3/4", BLK (QTY 4)
91	0154R00006	GASKET, CONTROL PANEL
111	0121R00580PLGB	PANEL 1, BENT LOUVER 29_34.64 (M1)
111	0121R00589PLGB	PANEL 1, BENT LOUVER 29_36.38 (M2, M3, M6, M7)
111	0121R00598PLGB	PANEL 1, BENT LOUVER 35_34.64 (M8, M9)
111	0121R00601PLGB	PANEL 1, BENT LOUVER 35_39.84 (M4, M5)
121	0121R00581PLGB	PANEL 2, BENT LOUVER 29_34.64 (M1)
121	0121R00590PLGB	PANEL 2, BENT LOUVER 29_36.38 (M2, M3, M6, M7)
121	0121R00599PLGB	PANEL 2, BENT LOUVER 35_34.64 (M8, M9)
121	0121R00514PLGB	PANEL 2, BENT LOUVER 35_39.84 (M4, M5)
131	0121R00582PLG	PANEL 3, LOUVER 29_34.64 PNT (M1)
131	0121R00591PLG	PANEL 3, LOUVER 29_36.38 PNT (M2, M3, M6, M7)
131	0121R00600PLG	PANEL 3, LOUVER 35_34.64 PNT (M8, M9)
131	0121R00603PLG	PANEL 3, LOUVER 35_39.84 PNT (M4, M5)
141	0201R00515	COIL TUBING ASSY (M4, M5)
141	0201R00567	COIL TUBING ASSY (M8, M9)
141	0201R00581	COIL TUBING ASSY (M6, M7)
141	0201R00668	COIL TUBING ASSY (M1)
141	0201R00670	COIL TUBING ASSY (M2)
141	0201R00671	COIL TUBING ASSY (M3)
181	0130M00250	CONTROL, DEF ROST
NS	B1789872	FLOW CHECK PISTON KIT (M3)
NS	B1789851	FLOW CHECK PISTON KIT .051 (M1)
NS	B1789865	FLOW CHECK PISTON KIT .065 (M2)
NS	B1789878	FLOW CHECK PISTON KIT .078 (M4, M5)
NS	B1789880	FLOW CHECK PISTON KIT .080 (M6, M7, M8)
NS	B1789888	FLOW CHECK PISTON KIT .088 (M9)
NS	0163M00005P	WASHER, BLACK (.50 OD .218ID) (QTY 4)

Expanded Model Nomenclature

M1 - ANZ140181AE
M2 - ANZ140301AE
M3 - ANZ140361AD
M4 - ANZ140421AD
M5 - ANZ140421AE
M6 - ANZ140481AC
M7 - ANZ140481AD
M8 - ANZ140491AD
M9 - ANZ140601AC