

## ANZ14 Remote Heat Pump

ANZ140361BA

ANZ140361BB

ANZ140361BC



Amana® is a registered trademark of Maytag Corporation or its related companies and is used under license. All rights reserved.

This manual is to be used by qualified technicians only.

This manual replaces RP-A4326A

© 2019 - 2021 Goodman Company, L.P. ♦ 5151 San Felipe St, Suite 500 ♦ Houston, TX 77056

# Important Information

---

## Index

Functional Parts List .....	3
Illustration and Parts .....	4 - 9

*Views shown are for parts illustrations only, not servicing procedures.*

### Text Codes:

AR - As Required

NA - Not Available

NS - Not Shown

00000000 - See Note

QTY - Quantity Example (QTY 3) (If Quantity not shown, Quantity = 1)

M - Model Example (M1) (If M Code not shown, then part is used on all Models)

### Expanded Model Nomenclature:

Example
M1 - Model#1
M2 - Model#2
M3 - Model#3

Goodman Company, L.P. is not responsible for personal injury or property damage resulting from improper service. Review all service information before beginning repairs.

Warranty service must be performed by an authorized technician, using authorized factory parts. If service is required after the warranty expires, Goodman Company, L.P. also recommends contacting an authorized technician and using authorized factory parts.

Goodman Company, L.P. reserves the right to discontinue, or change at any time, specifications or designs without notice or without incurring obligations.

For assistance within the U.S.A. contact:

Homeowner Support  
Goodman Company, L.P.  
19001 Kermier Road  
Waller, Texas 77484  
877-254-4729-Telephone  
713-863-2382-Facsimile

For assistance outside the U.S.A. contact:

International Division  
Goodman Company, L.P.  
19001 Kermier Road  
Waller, Texas 77484  
713-861-2500-Telephone  
713-863-2382-Facsimile

# Functional Parts

## Part

## No: Description:

---

0151L00008	ACCUMULATOR (M1)
0151R00004P	ACCUMULATOR (M2)
0151L00172	ACCUMULATOR (M3)
0151R00185	BASE VALVE 3/4"
0151R00187	BASE VALVE 3/8"
CAP050450440CT	CAPACITOR 5/45/440V/DUAL RD
CONT1P030024V	CONT, 1 POLE, 30 AMP, 24 VAC
0130M00250	CONTROL, DEFROST
0130M00089	CUT-OUT SWITCH, HIGH PRESSURE
0130M00088	CUT-OUT SWITCH, LOW PRESSURE
PCBDM133	DEFROST CONTROL BOARD
0130M00106	DISC THERMOSTAT CRNKCS HTR SW
0150M00008	FAN BLADE 22" TNT2203-25
0163R00006	HEATER, CRANKCASE 230V, 40W
APG031KAC	LG COMP, 42800, 208-230/60/1
0130M00088	LOW PRESSURE SWITCH
0131M00753	MOTOR, 1/6HP, 1SP, 8PL, AL
0151R00069	REVERSING VALVE

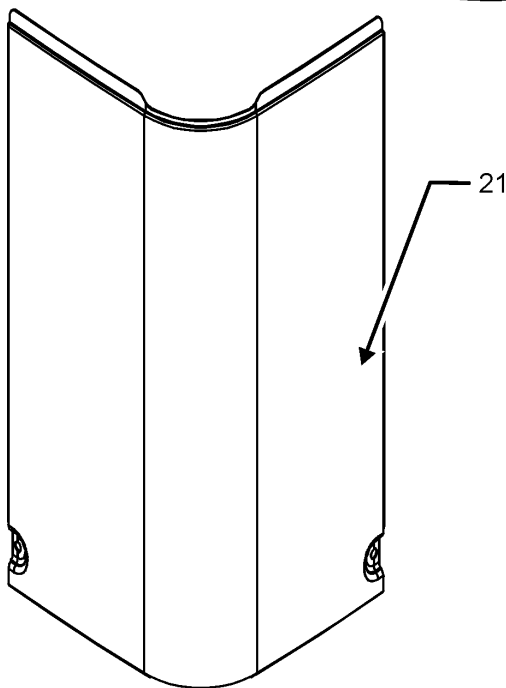
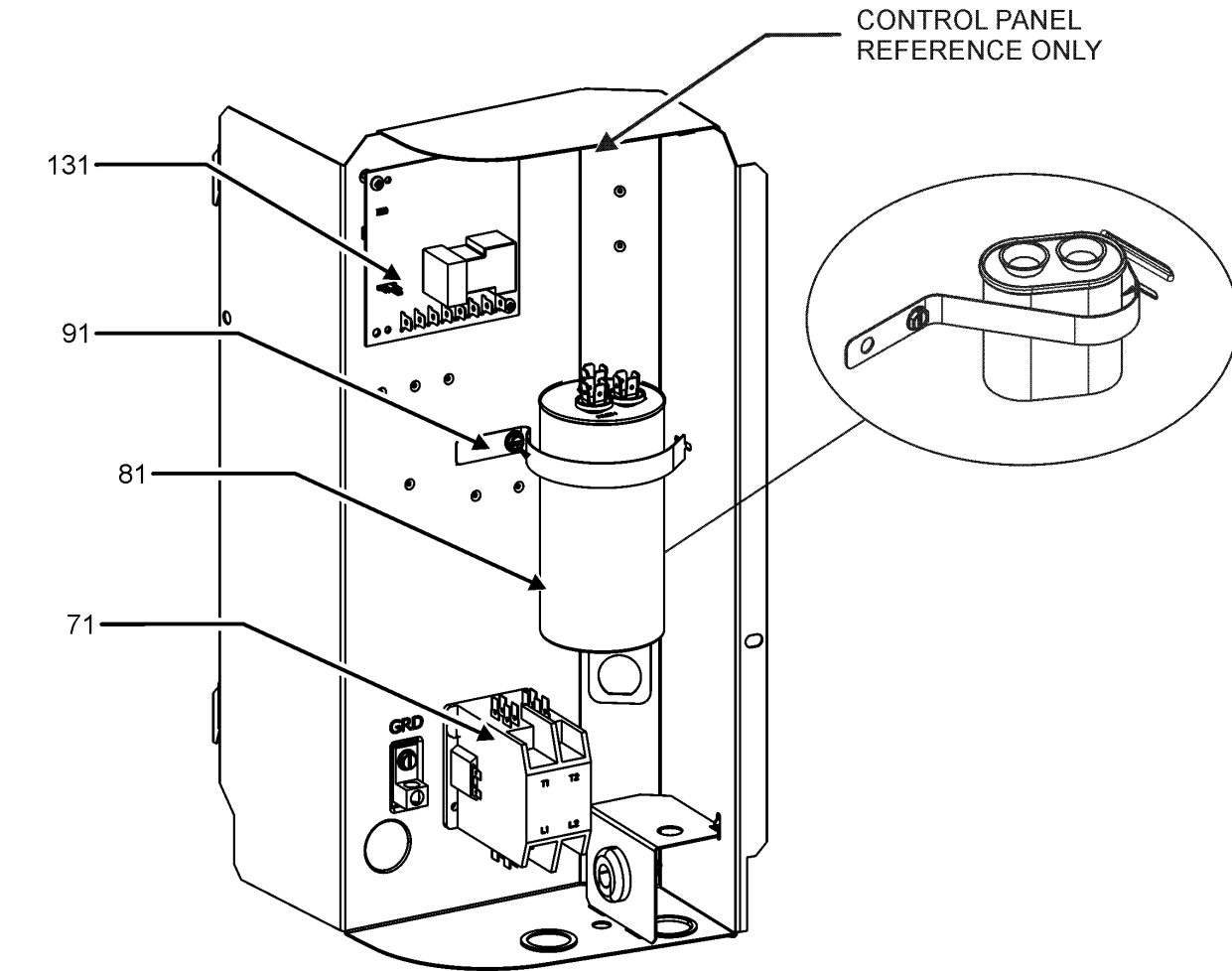
### Expanded Model Nomenclature

M1 - ANZ140361BA
M2 - ANZ140361BB
M3 - ANZ140361BC

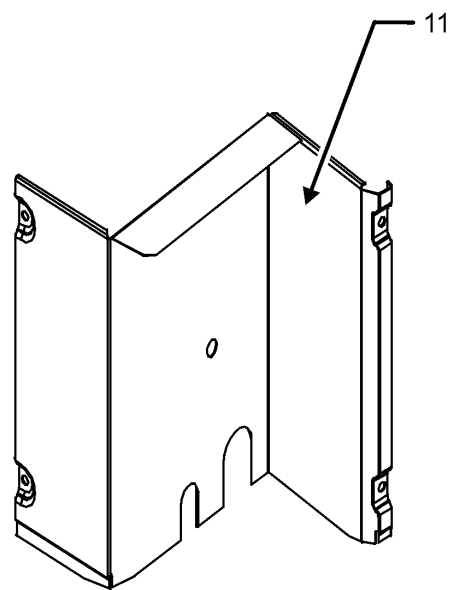
0161R00087	NAMEPLATE, AMANA LOGO
------------	-----------------------

# Control Box Assembly

CONTROL PANEL  
REFERENCE ONLY



UPPER ACCESS PANEL



LOWER ACCESS PANEL

# Control Box Assembly

**Ref. Part**

**No: No:**

**Description:**

**Ref. Part**

**No: No:**

**Description:**

---

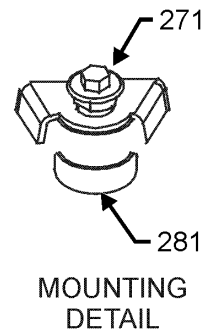
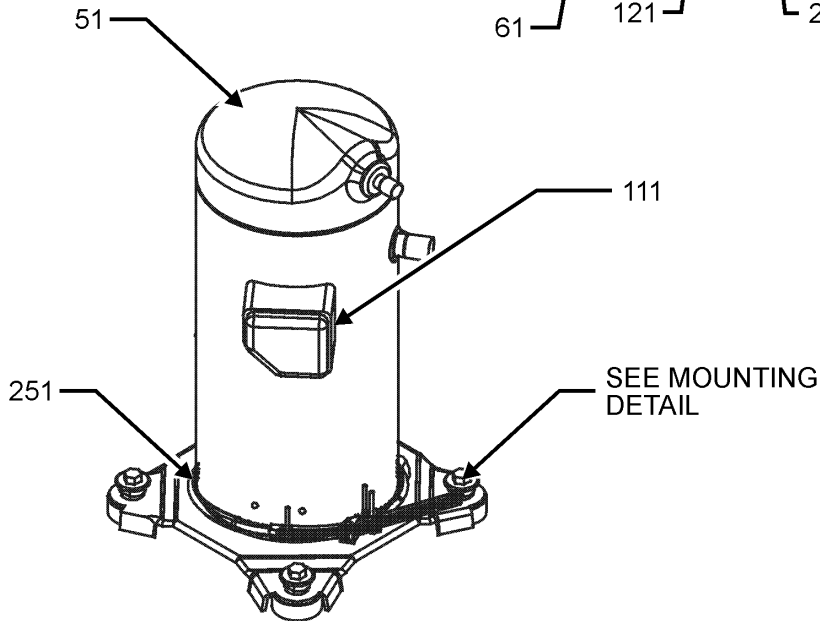
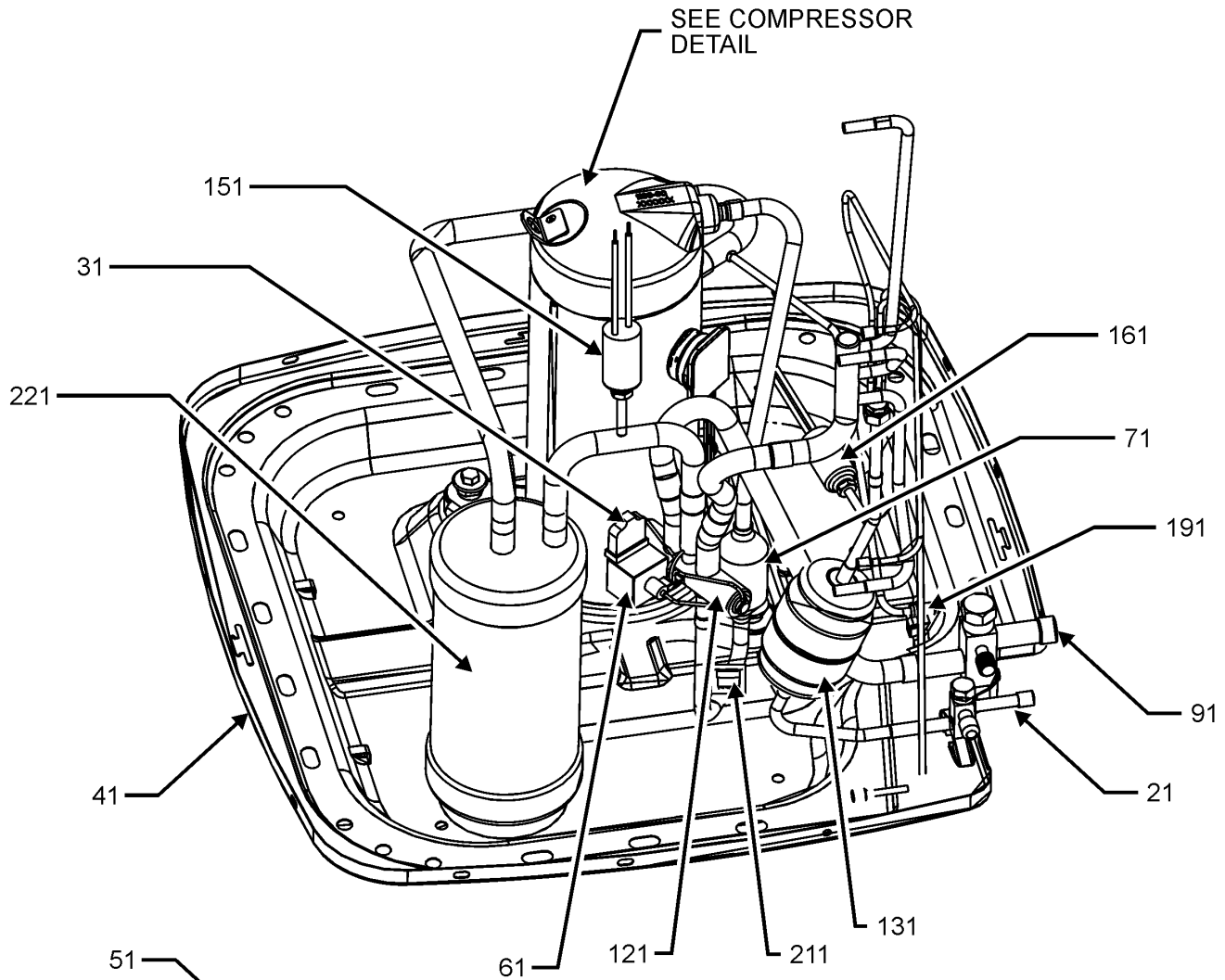
**Image 1:**

11	0121R00907PDG	PNL, LWR ACCESS
21	0121R00937PDG	PNL, CONTROL COVER
71	CONT1P030024V	CONT, 1 POLE, 30 AMP, 24 VAC
81	CAP050450440CT	CAPACITOR 5/45/440V/DUAL RD
91	4400065	CAPACITOR STRAP
131	PCBDM133	DEFROST CONTROL BOARD
NS	0161R00087	NAMEPLATE, AMANA LOGO

**Expanded Model Nomenclature**

M1 - ANZ140361BA
M2 - ANZ140361BB
M3 - ANZ140361BC

# Compressor and Tubing Assembly



COMPRESSOR  
DETAIL

NOTE: TUBING ASSEMBLY MAY DIFFER FROM WHAT IS SHOWN

# Compressor and Tubing Assembly

Ref. Part No:	No:	Description:	Ref. Part No:	No:	Description:
---------------	-----	--------------	---------------	-----	--------------

**Image 1:**

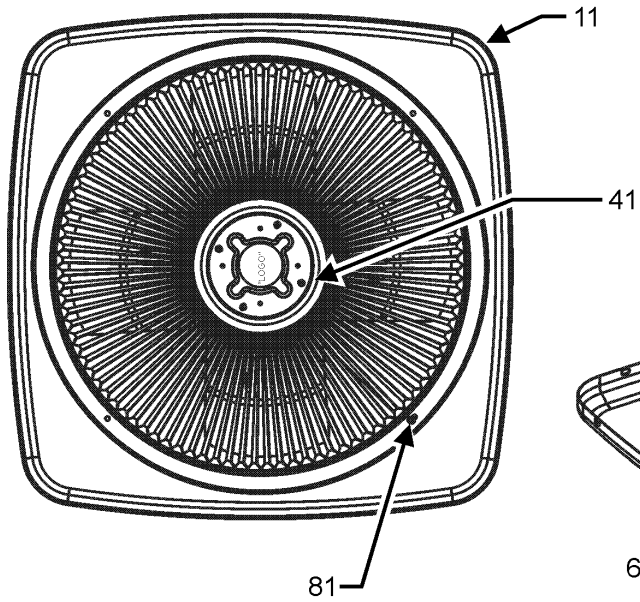
21	0151R00187	BASE VALVE 3/8"
31	0130M00410	REVERSING VALVE HARNESS
41	0121R00006PDG	BASE PAN 29"
51	APG031KAC	LG COMP,42800,208-230/60/1
61	B1225022	SOLENOID COIL
71	0162R00007	MUFFLER 1/2 X 1/2
91	0151R00185	BASE VALVE 3/4"
111	0159R00022	HARNESS, COMP SCROLL 42"
121	0151R00069	REVERSING VALVE
131	0162R00056	FILTER/DRIER-BI-FLOW
151	0130M00088	CUT-OUT SWITCH, LOW PRESSURE
151	0130M00088	LOW PRESSURE SWITCH
161	0130M00089	CUT-OUT SWITCH, HIGH PRESSURE
191	0151M00104	VALVE CORE
211	0130M00106	DISC THERMOSTAT CRNKCS HTR SW
221	0151L00008	ACCUMULATOR (M1)
221	0151L00172	ACCUMULATOR (M3)
221	0151R00004P	ACCUMULATOR (M2)
251	0163R00006	HEATER, CRANKCASE 230V, 40W
271	M0221641	TF SHOULDER SCREW (QTY 4)
281	B1339533	COMPRESSOR GROMMET (QTY 4)

**Expanded Model Nomenclature**

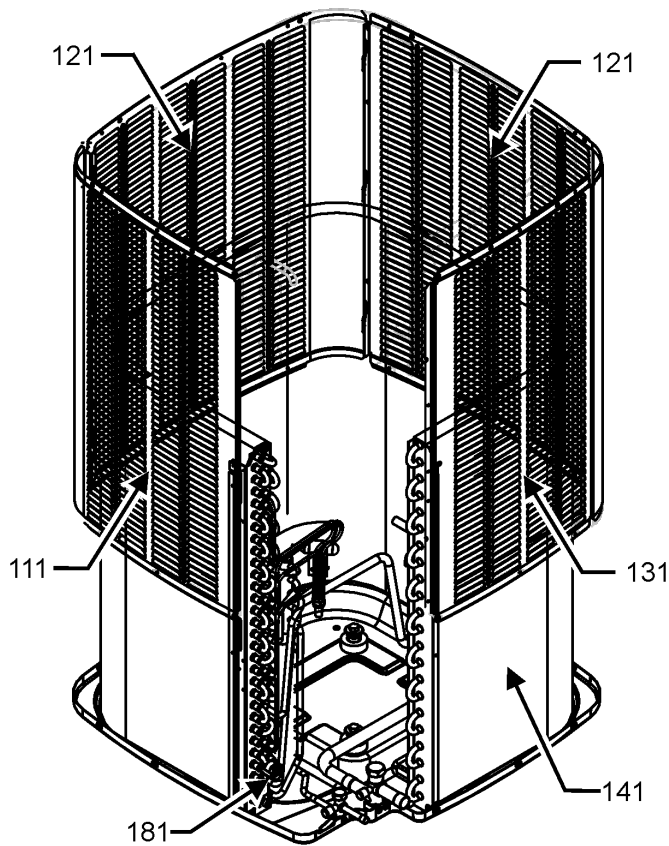
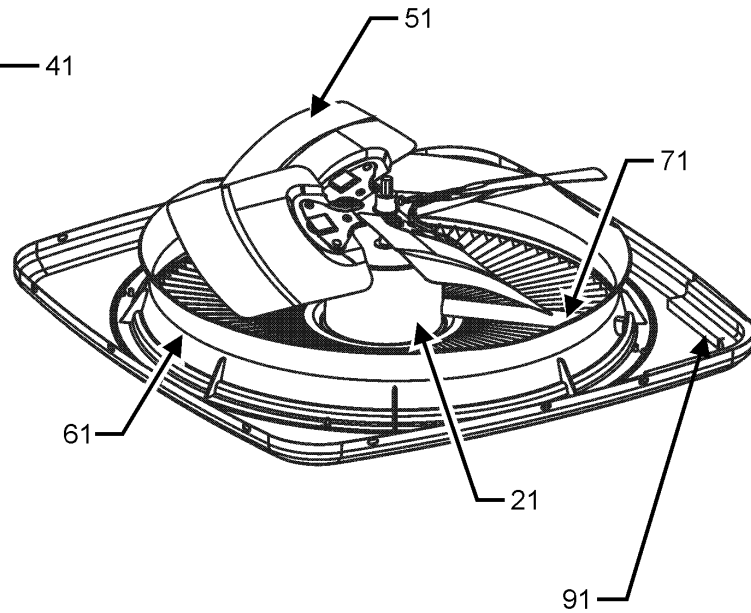
M1 - ANZ140361BA
M2 - ANZ140361BB
M3 - ANZ140361BC

# Top Panel and Louver Panel Assembly

TOP PANEL ASSEMBLY  
TOP VIEW



TOP PANEL ASSEMBLY  
BOTTOM VIEW



LOUVER PANEL ASSEMBLY1

# Top Panel and Louver Panel Assembly

Ref. Part No:	No:	Description:	Ref. Part No:	No:	Description:
---------------	-----	--------------	---------------	-----	--------------

---

**Image 1:**

11	0121R00010PDG	TOP PANEL 29"
21	0131M00753	MOTOR, 1/6HP, 1SP, 8PL, AL
41	0163M00006P	ACORN NUT 5/16 HEX BLACK (QTY 4)
51	0150M00008	FAN BLADE 22" TNT2203-25
61	0161R00048	MOLDED RING-VENTURI 22
71	0161R00002P	CONDUIT
81	0163M00004	SCREW #10 X3/4", BLK (QTY 4)
91	0154R00045	GASKET, CONTROL PANEL
111	0121R00589PLGB	PANEL 1, LOUVER 29_36.38 PNT
121	0121R00590PLGB	PANEL 2, LOUVER 29_36.38 PNT
131	0121R00591PLG	PANEL 3, LOUVER 29_36.38 PNT
141	0201R00744	COIL TUBING ASSY
181	0130M00250	CONTROL, DEFROST
NS	B1789872	FLOW CHECK PISTON KIT
NS	0163M00005P	WASHER, BLACK (.50 OD .218ID) (QTY 4)

**Expanded Model Nomenclature**

M1 - ANZ140361BA
M2 - ANZ140361BB
M3 - ANZ140361BC