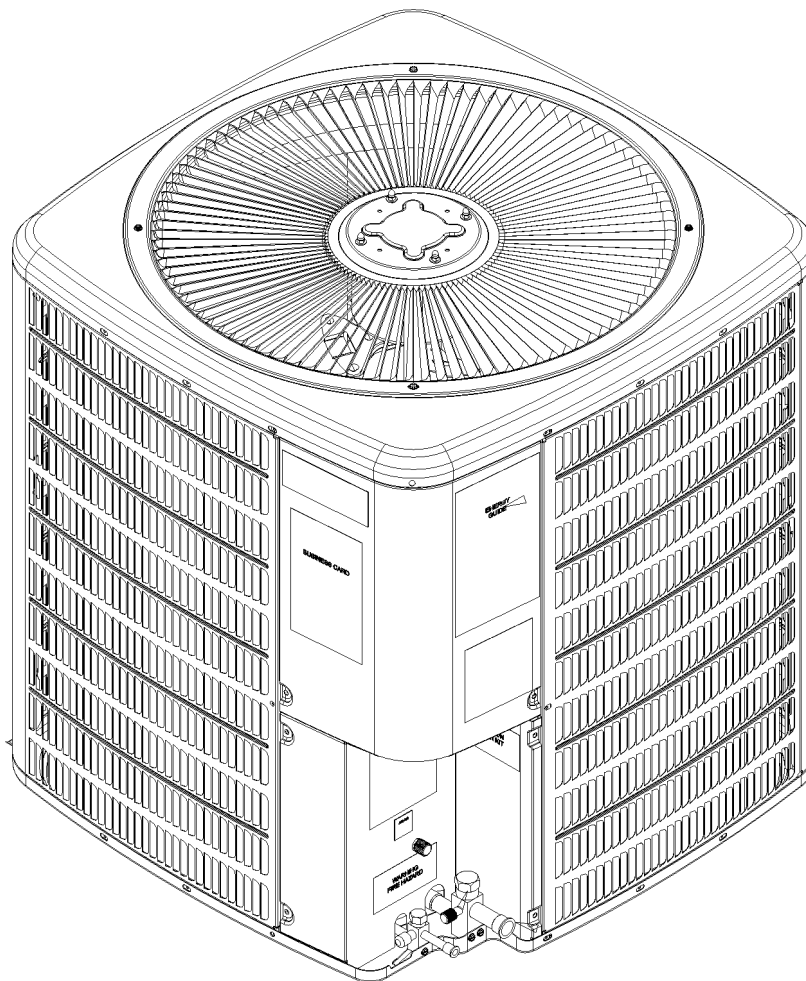


ANZ13 Remote Heat Pump

ANZ130181AC
ANZ130241AC
ANZ130301AC
ANZ130361AC
ANZ130421AC
ANZ130421AD
ANZ130421AE
ANZ130481AC
ANZ130601AB



Amana® is a registered trademark of Maytag Corporation or its related companies and is used under license. All rights reserved.

This manual is to be used by qualified technicians only.

This manual replaces RP-A4308.

© 2016 - 2017 Goodman Manufacturing Company, L.P. ♦ 5151 San Felipe St, Suite 500 ♦ Houston, TX 77056

Important Information

Index

Functional Parts List	3
Illustration and Parts	4 - 9

Views shown are for parts illustrations only, not servicing procedures

Text Codes:

AR - As Required

NA - Not Available

NS - Not Shown

00000000 - See Note

QTY - Quantity Example (QTY 3) (If Quantity not shown, Quantity = 1)

M - Model Example (M1) (If M Code not shown, then part is used on all Models)

Expanded Model Nomenclature:

Example M1 - Model#1 M2 - Model#2 M3 - Model#3

Goodman Manufacturing Company, L.P. is not responsible for personal injury or property damage resulting from improper service. Review all service information before beginning repairs.

Warranty service must be performed by an authorized technician, using authorized factory parts. If service is required after the warranty expires, Goodman Manufacturing Company, L.P. also recommends contacting an authorized technician and using authorized factory parts.

Goodman Manufacturing Company, L.P. reserves the right to discontinue, or change at any time, specifications or designs without notice or without incurring obligations.

For assistance within the U.S.A. contact:
Homeowner Support
Goodman Manufacturing Company, L.P.
19001 Kermier Road
Waller, Texas 77484
877-254-4729-Telephone
713-863-2382-Facsimile

For assistance outside the U.S.A. contact:
International Division
Goodman Manufacturing Company, L.P.
19001 Kermier Road
Waller, Texas 77484
713-861-2500-Telephone
713-863-2382-Facsimile

Functional Parts

Part No: **Description:**

0131M00811	1/8 HP 8 PL PSC MOTOR (M1, M3)
B1226206	ACCUMULATOR (M1, M2, M3)
0151R00004P	ACCUMULATOR .750 (M4)
B1226207	ACCUMULATOR .875 (M5, M6, M7, M8, M9)
0151R00079	BASE VALVE 3/4" (M1, M2, M3, M4)
0151R00078	BASE VALVE 3/8"
0151R00080	BASE VALVE 7/8" (M5, M6, M7, M8, M9)
CAP050300440CS	CAP.5/30MFD/440V/DUAL RD (M1)
CAP050400440CT	CAPACITOR 5/40/440V/DUAL RD (M2, M3)
CAP050450440CT	CAPACITOR 5/45/440V/DUAL RD (M4, M5, M6, M7, M8)
CAP050700440CT	CAPACITOR 5/70/440V/DUAL RD (M9)
ZP16K5EPFV130	COMPRESSOR 15500, 208/230/60/1 (M1)
ZP21K5EPFV130	COMPRESSOR 21300, 208/230/60/1 (M2)
ZP25K5EPFV130	COMPRESSOR 25200, 208/230/60/1 (M3)
ZP31K5EPFV130	COMPRESSOR 31100, 208/230/60/1 (M4)
ZP34K5EPFV130	COMPRESSOR 34500, 208/230/60/1 (M5, M6, M7)
ZP39K5EPFV130	COMPRESSOR 39000, 208/230/60/1 (M8)
ZP51K5EPFV130	COMPRESSOR 51000, 208/230/60/1 (M9)
0131M00018P	COND MOTOR 1/4 HP, 1 SP, 6 PL (M6)
CONT1P025024V	CONTACTOR 25 AMP, 1P, 24V (M1, M2, M3, M4, M5, M6, M7)
CONT1P030024V	CONTACTOR 30 AMP, 1P, 24V (M8, M9)
0130M00098	CONTROL, DEFROST (M2, M4)
0130M00105	CONTROL, DEFROST (M1, M3, M5, M6, M7, M8, M9)
0130M00089	CUT-OUT SWITCH, HIGH PRESSURE (M1, M3, M5, M6, M7, M8, M9)
0130M00088	CUT-OUT SWITCH, LOW PRESSURE
PCBDM133	DEFROST CONTROL BOARD
0130M00106	DISC THERMOSTAT CRNKCS HTR SW
0150M00018	FAN BLADE 20" (M1)
0150M00012	FAN BLADE 20" CCW (M3)
B1086750	FAN BLADE 22", 3 BLADE, 24° (M8)
0150M00013	FAN BLADE 26" CCW (M9)
0150M00033	FAN BLADE, 20", 3 BLADE, 24DEG (M2)
0150M00022	FAN BLADE, 22" (M4, M5, M6, M7)
0163R00006	HEATER, CRANKCASE 230V, 40W (M1, M2, M3, M4)
0163R00007	HEATER, CRANKCASE 230V, 40W (M5, M6, M7, M8, M9)
0131M00813	MOTOR, 1/4HP, 1SP, 6PL (M4, M5, M7, M8)
0131M00807	MOTOR, 1/4HP,1SP,8PL,AL (M9)
0131M00800	MOTOR, 1/8HP, 1SP, 6PL, AL (M2)
0151R00071	REVERSING VALVE (M5, M6, M7)
0151M00020	REVERSING VALVE (M9)
0151R00067	REVERSING VALVE (M2)
0151R00068	REVERSING VALVE (M1, M3)
0151R00070	REVERSING VALVE (M8)
0151R00069	REVERSING VALVE (M4)

Expanded Model Nomenclature

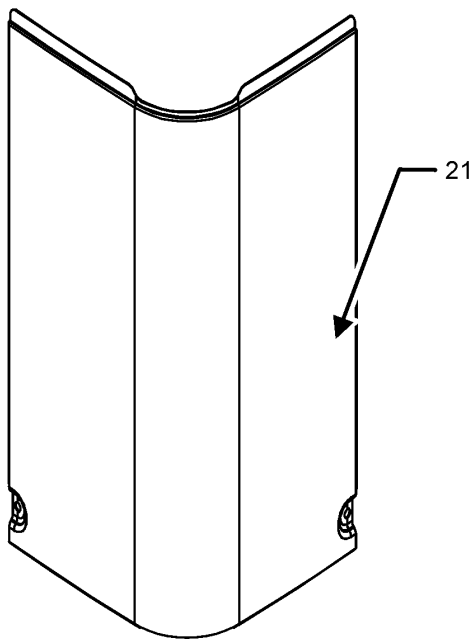
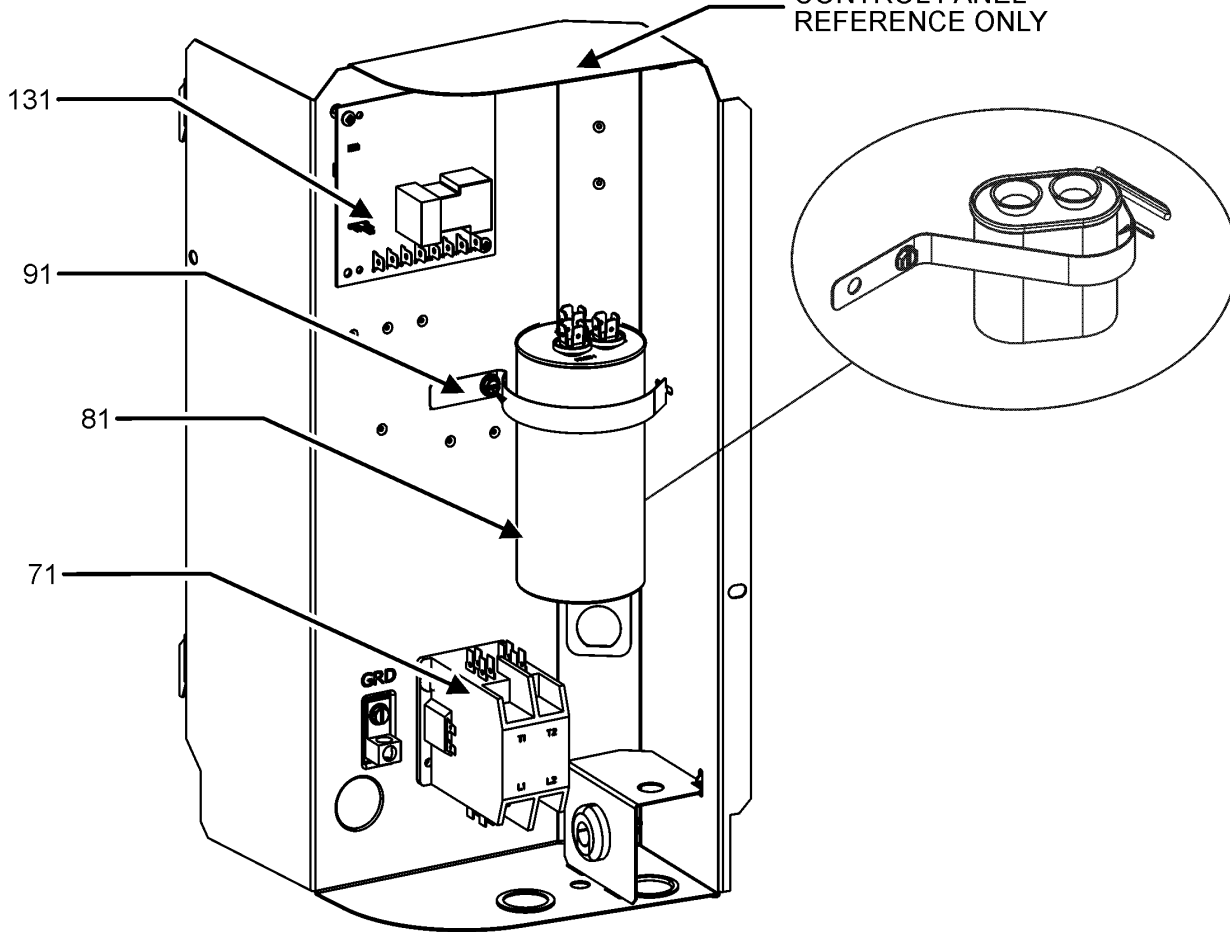
M1 - ANZ130181AC
M2 - ANZ130241AC
M3 - ANZ130301AC
M4 - ANZ130361AC
M5 - ANZ130421AC
M6 - ANZ130421AD
M7 - ANZ130421AE
M8 - ANZ130481AC
M9 - ANZ130601AB

SPECIAL PARTS

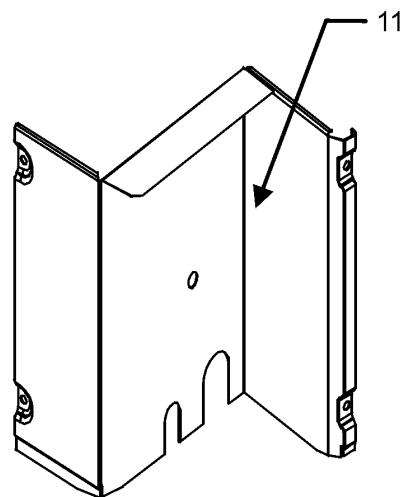
0161R00010P	AMANA NAMEPLATE
-------------	-----------------

Control Box Assembly

CONTROL PANEL
REFERENCE ONLY



UPPER ACCESS COVER



LOWER ACCESS PANEL

Control Box Assembly

Ref. Part No:	No:	Description:	Ref. Part No:	No:	Description:
---------------	-----	--------------	---------------	-----	--------------

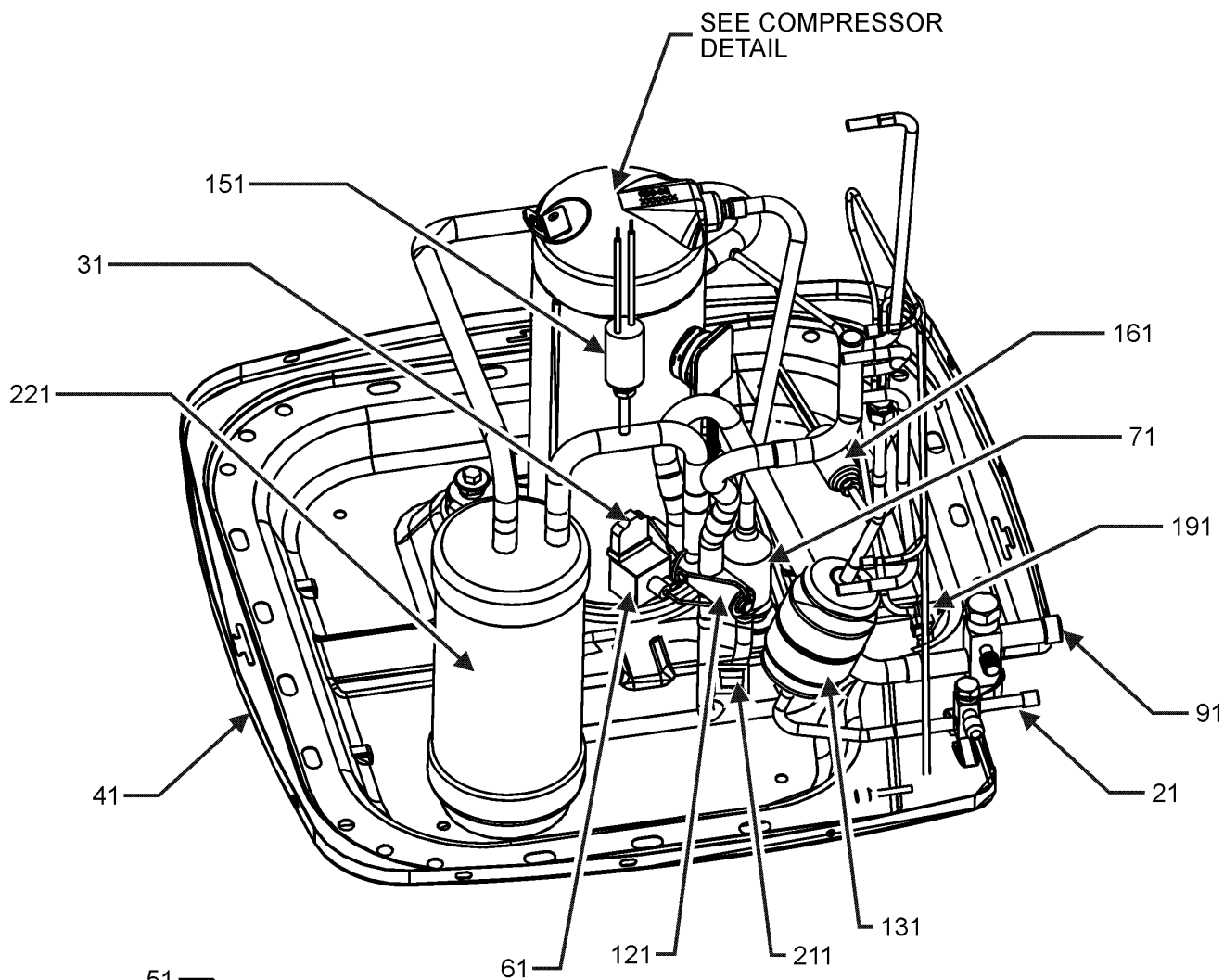
Image 1:

11	0121R00663PDG	LOWER ACCESS PANEL (M1, M2, M3, M4)
11	0121R00318PDG	PANEL, LOWER ACCESS PNT (M5, M6, M7)
11	0121R00321PDG	PANEL, LOWER ACCESS PNT (M8, M9)
21	0121R00053PDG	CONTROL COVER
71	CONT1P025024V	CONTACTOR 25 AMP, 1P, 24V (M1, M2, M3, M4, M5, M6, M7)
71	CONT1P030024V	CONTACTOR 30 AMP, 1P, 24V (M8, M9)
81	CAP050300440CS	CAP.5/30MFD/440V/DUAL RD (M1)
81	CAP050400440CT	CAPACITOR 5/40/440V/DUAL RD (M2, M3)
81	CAP050450440CT	CAPACITOR 5/45/440V/DUAL RD (M4, M5, M6, M7, M8)
81	CAP050700440CT	CAPACITOR 5/70/440V/DUAL RD (M9)
91	4400065	CAPACITOR STRAP
131	PCBDM133	DEFROST CONTROL BOARD
NS	0161R00010P	AMANA NAMEPLATE

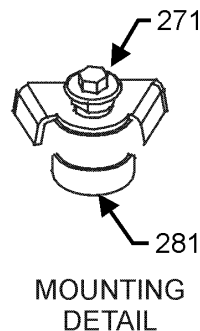
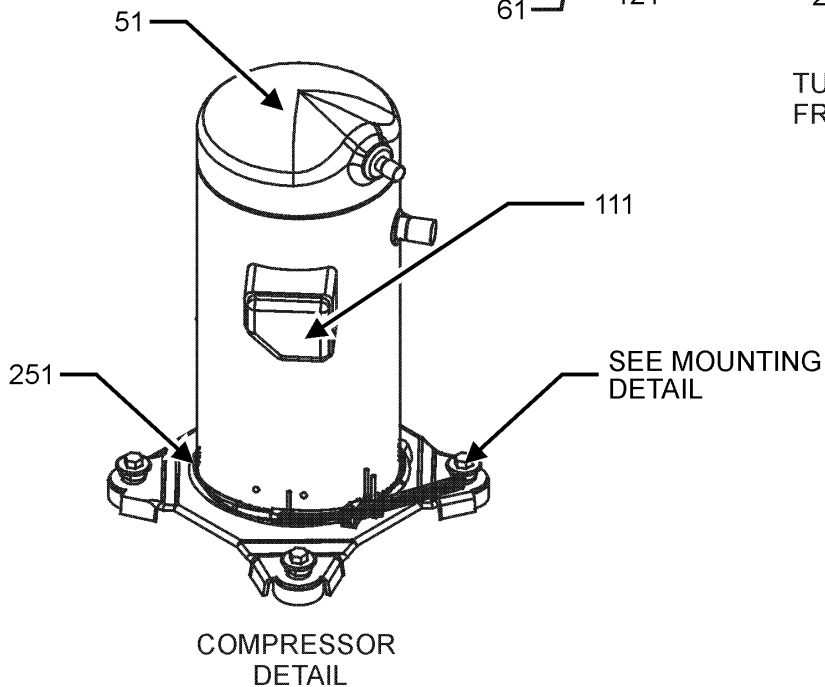
Expanded Model Nomenclature

M1 - ANZ130181AC
M2 - ANZ130241AC
M3 - ANZ130301AC
M4 - ANZ130361AC
M5 - ANZ130421AC
M6 - ANZ130421AD
M7 - ANZ130421AE
M8 - ANZ130481AC
M9 - ANZ130601AB

Compressor and Tubing Assembly



TUBING ASSEMBLY MAY DIFFER FROM WHAT IS SHOWN



Compressor and Tubing Assembly

Ref. Part No: No:	Description:	Ref. Part No: No:	Description:
-------------------	--------------	-------------------	--------------

Image 1:

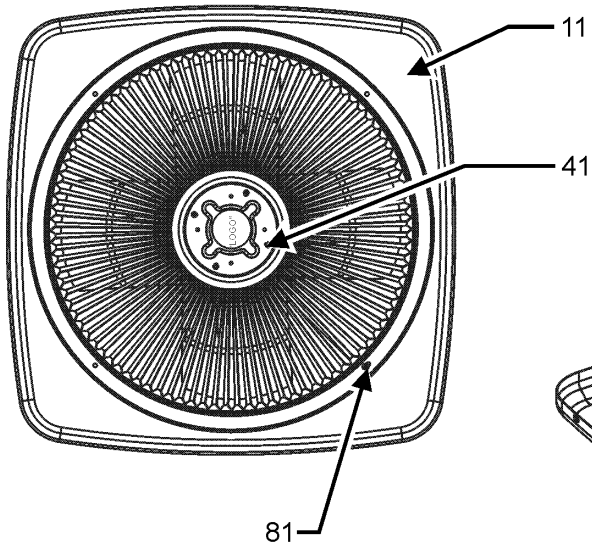
21	0151R00078	BASE VALVE 3/8"
31	0130M00083	SOLENOID HARNESS W/1/4" TERM
41	0121R00005PDG	BASE PAN 26" (M1, M2, M3)
41	0121R00006PDG	BASE PAN 29" (M4, M5, M6, M7, M8)
41	0121R00007PDG	BASE PAN 35" (M9)
51	ZP16K5EPFV130	COMPRESSOR 15500, 208/230/60/1 (M1)
51	ZP21K5EPFV130	COMPRESSOR 21300, 208/230/60/1 (M2)
51	ZP25K5EPFV130	COMPRESSOR 25200, 208/230/60/1 (M3)
51	ZP31K5EPFV130	COMPRESSOR 31100, 208/230/60/1 (M4)
51	ZP34K5EPFV130	COMPRESSOR 34500, 208/230/60/1 (M5, M6, M7)
51	ZP39K5EPFV130	COMPRESSOR 39000, 208/230/60/1 (M8)
51	ZP51K5EPFV130	COMPRESSOR 51000, 208/230/60/1 (M9)
61	B1225022	SOLENOID COIL
71	B1219301	MUFFLER 1/2 X 1/2
91	0151R00079	BASE VALVE 3/4" (M1, M2, M3, M4)
91	0151R00080	BASE VALVE 7/8" (M5, M6, M7, M8, M9)
111	0159R00000P	COMPRESSOR SCROLL HARNESS (M1, M2, M3)
111	0159R00001P	COMPRESSOR SCROLL HARNESS (M4, M5, M6, M7, M8)
111	0159R00002P	COMPRESSOR SCROLL HARNESS (M9)
121	0151M00020	REVERSING VALVE (M9)
121	0151R00067	REVERSING VALVE (M2)
121	0151R00068	REVERSING VALVE (M1, M3)
121	0151R00069	REVERSING VALVE (M4)
121	0151R00070	REVERSING VALVE (M8)
121	0151R00071	REVERSING VALVE (M5, M6, M7)
131	20485201	BI-FLOW FILTER DRIER
151	0130M00088	CUT-OUT SWITCH, LOW PRESSURE
161	0130M00089	CUT-OUT SWITCH, HIGH PRESSURE (M1, M3, M5, M6, M7, M8, M9)
191	B1787000	VALVE CORE
211	0130M00106	DISC THERMOSTAT CRNKCS HTR SW
221	B1226206	ACCUMULATOR (M1, M2, M3)
221	0151R00004P	ACCUMULATOR .750 (M4)
221	B1226207	ACCUMULATOR .875 (M5, M6, M7, M8, M9)
251	0163R00006	HEATER, CRANKCASE 230V, 40W (M1, M2, M3, M4)
251	0163R00007	HEATER, CRANKCASE 230V, 40W (M5, M6, M7, M8, M9)
271	M0221641	TF SHOULDER SCREW (QTY 4)
281	B1339533	COMPRESSOR GROMMET (QTY 4)
NS	20270812	COMPENSATOR (M4)
NS	20270815	COMPENSATOR (M2)
NS	0130M00083	REVERSING VALVE HARNESS

Expanded Model Nomenclature

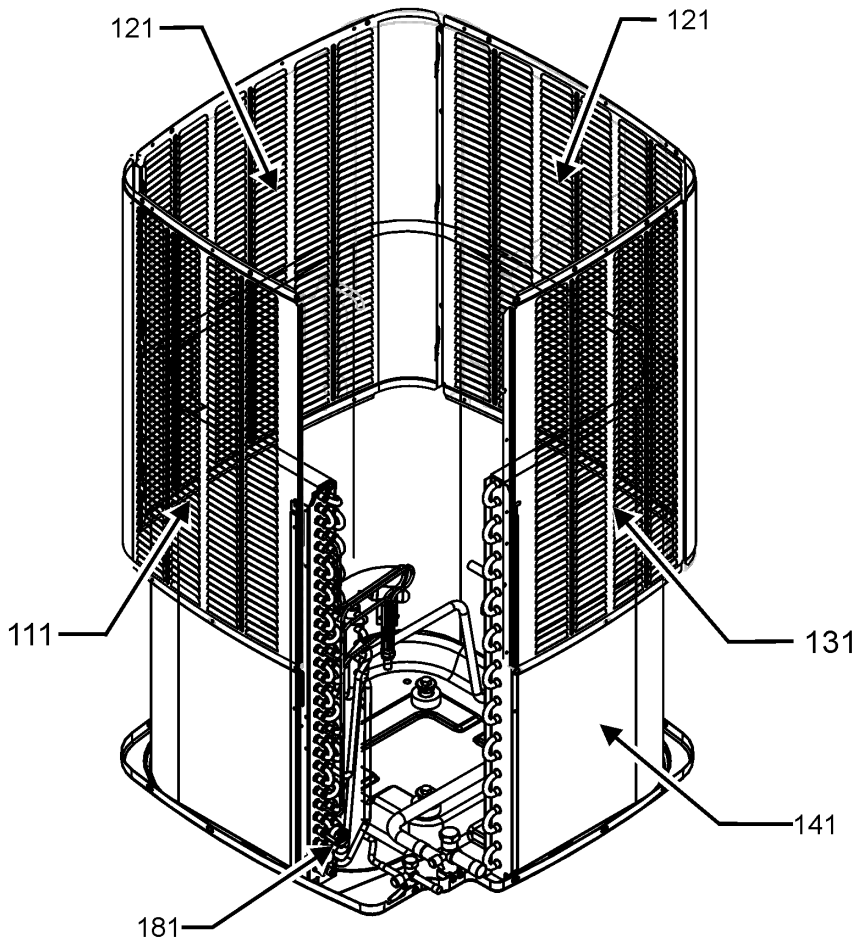
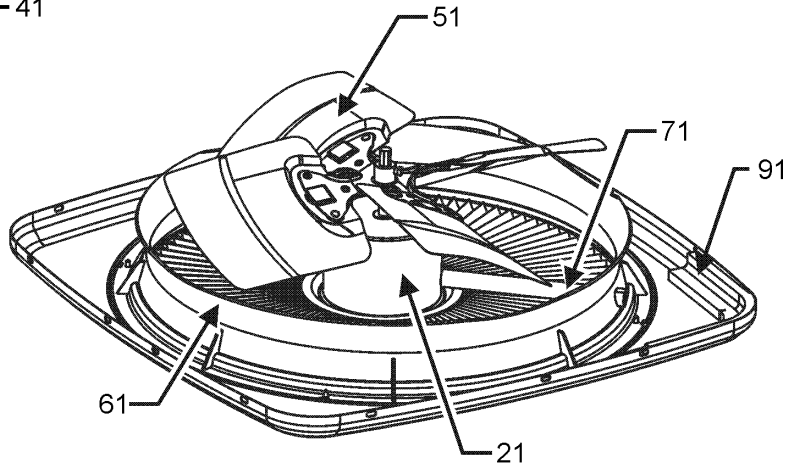
M1 - ANZ130181AC
M2 - ANZ130241AC
M3 - ANZ130301AC
M4 - ANZ130361AC
M5 - ANZ130421AC
M6 - ANZ130421AD
M7 - ANZ130421AE
M8 - ANZ130481AC
M9 - ANZ130601AB

Cabinet Top and Side Panel Assembly

TOP VIEW



BOTTOM VIEW



LOUVER PANEL ASSEMBLY

Cabinet Top and Side Panel Assembly

Ref. Part No: No:	Description:	Ref. Part No: No:	Description:
-------------------	--------------	-------------------	--------------

Image 1:

11	0121R00008PDG	TOP PANEL 26" (M1, M2, M3)
11	0121R00010PDG	TOP PANEL 29" (M4, M5, M6, M7, M8)
11	0121R00269PDG	Top Panel, 35" Pnt (M9)
21	0131M00811	1/8 HP 8 PL PSC MOTOR (M1, M3)
21	0131M00018P	COND MOTOR 1/4 HP, 1 SP, 6 PL (M6)
21	0131M00813	MOTOR, 1/4HP, 1SP, 6PL (M4, M5, M7, M8)
21	0131M00807	MOTOR, 1/4HP, 1SP, 8PL, AL (M9)
21	0131M00800	MOTOR, 1/8HP, 1SP, 6PL, AL (M2)
41	0163M00006P	ACORN NUT 5/16 HEX BLACK (QTY 4)
51	0150M00018	FAN BLADE 20" (M1)
51	0150M00012	FAN BLADE 20" CCW (M3)
51	B1086750	FAN BLADE 22", 3 BLADE, 24° (M8)
51	0150M00013	FAN BLADE 26" CCW (M9)
51	0150M00033	FAN BLADE, 20", 3 BLADE, 24DEG (M2)
51	0150M00022	FAN BLADE, 22" (M4, M5, M6, M7)
61	0161L00000	VENTURI RING 22" (M4, M5, M6, M7, M8)
61	0161R00007P	VENTURI RING 35" (M9)
71	0161R00001P	CONDUIT (M1, M2, M3)
71	0161R00002P	CONDUIT (M4, M5, M6, M7, M8)
71	0161R00004P	CONDUIT (M9)
81	0163M00004	SCREW #10X3/4", BLACK
91	0154R00006	GASKET, CONTROL PANEL
111	4400463PLGB	LOUVERED SIDE PANEL [LT OF CNTL PNL] (M9)
111	0121R00197PLG	LOUVERED SIDE PANEL [RT OF CNTL PNL] (M2)
121	0121R00199PLGB	LOUVERED SIDE PANEL (M2)
121	4400465PLGB	LOUVERED SIDE PANEL (M9)
131	0121R00208PLGB	LOUVERED SIDE PANEL [LT OF CNTL PNL] (M2)
131	4400467PLG	LOUVERED SIDE PANEL [RT OF CNTL PNL] (M9)
141	0201R00325	ASSY, COIL TBG (M3)
141	0201R00285	COIL TUBING ASSY (M4)
141	0201R00317	COIL TUBING ASSY (M2)
141	0201R00150S	TUBING ASSY, COND COIL (M1)
141	0201R00152S	TUBING ASSY, COND COIL (M5, M6, M7)
141	0201R00154S	TUBING ASSY, COND COIL (M8)
141	0201R00155S	TUBING ASSY, COND COIL (M9)
181	0130M00098	CONTROL, DEFROST (M2, M4)
181	0130M00105	CONTROL, DEFROST (M1, M3, M5, M6, M7, M8, M9)
NS	B1789872	FLOW CHECK PISTON KIT (M5, M6, M7)
NS	B1789851	FLOW CHECK PISTON KIT .051 (M1)
NS	B1789857	FLOW CHECK PISTON KIT .057 (M2)
NS	B1789865	FLOW CHECK PISTON KIT .065 (M3)
NS	B1789871	FLOW CHECK PISTON KIT .071 (M4)
NS	B1789878	FLOW CHECK PISTON KIT .078 (M8)
NS	B1789888	FLOW CHECK PISTON KIT .088 (M9)
NS	0163M00005P	WASHER, BLACK (.50 OD .218ID) (QTY 4)

Expanded Model Nomenclature

- | |
|------------------|
| M1 - ANZ130181AC |
| M2 - ANZ130241AC |
| M3 - ANZ130301AC |
| M4 - ANZ130361AC |
| M5 - ANZ130421AC |
| M6 - ANZ130421AD |
| M7 - ANZ130421AE |
| M8 - ANZ130481AC |
| M9 - ANZ130601AB |