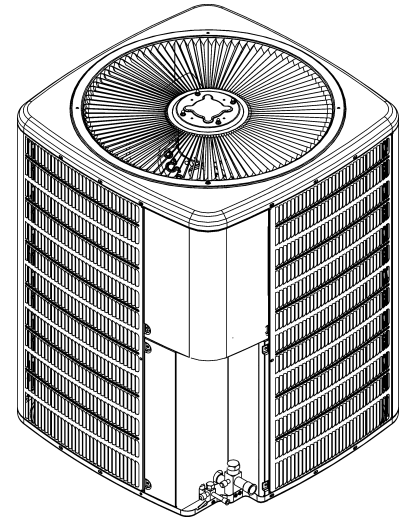


ANX14 Remote Condensing Unit

ANX140181BB
ANX140181BC
ANX140181BD
ANX140191AC
ANX140241BB
ANX140241BC
ANX140241BD
ANX140251BB
ANX140301BA
ANX140301DA
ANX140301DB
ANX140301DC
ANX140301DD
ANX140361AD
ANX140361AE
ANX140361AF
ANX140371AD
ANX140421AD
ANX140421AE
ANX140431AD
ANX140481AC
ANX140481AD
ANX140601AC
ANX140601AD



Amana® is a registered trademark of Maytag Corporation or its related companies and is used under license. All rights reserved.

This manual is to be used by qualified technicians only.

This manual replaces RP-A4307g.

© 2016 - 2017, 2019, 2022 Goodman Company, L.P. ♦ 5151 San Felipe St, Suite 500 ♦ Houston, TX 77056

Important Information

Index

Functional Parts List	3
Illustration and Parts	4 - 9

Views shown are for parts illustrations only, not servicing procedures.

Text Codes:

AR - As Required

NA - Not Available

NS - Not Shown

00000000 - See Note

QTY - Quantity Example (QTY 3) (If Quantity not shown, Quantity = 1)

M - Model Example (M1) (If M Code not shown, then part is used on all Models)

Expanded Model Nomenclature:

Example
M1 - Model#1
M2 - Model#2
M3 - Model#3

Goodman Company, L.P. is not responsible for personal injury or property damage resulting from improper service. Review all service information before beginning repairs.

Warranty service must be performed by an authorized technician, using authorized factory parts. If service is required after the warranty expires, Goodman Company, L.P. also recommends contacting an authorized technician and using authorized factory parts.

Goodman Company, L.P. reserves the right to discontinue, or change at any time, specifications or designs without notice or without incurring obligations.

For assistance within the U.S.A. contact:

Homeowner Support
Goodman Company, L.P.
19001 Kermier Road
Waller, Texas 77484
877-254-4729-Telephone
713-863-2382-Facsimile

For assistance outside the U.S.A. contact:

International Division
Goodman Company, L.P.
19001 Kermier Road
Waller, Texas 77484
713-861-2500-Telephone
713-863-2382-Facsimile

Functional Parts

Part

No: **Description:**

50N382YV-ZAKM	1.5T RECHI COMPRESSOR (4-LEGS) (M1, M2, M3)
0131M00266	1/8 HP 8 PL PSC MOTOR (M1, M6)
0131M00811	1/8 HP 8 PL PSC MOTOR (M2, M4, M5, M8)
50N492ZV-ZAKM	2.0TONRECHI COMPR.4 LEGS (M5, M6, M7)
50N6229V-ZAKM	2.5 TON RECHI COMPR. 4 LEGS (M9)
0151R00185	BASE VALVE 3/4" (M1, M2, M3, M4, M5, M6, M7, M8, M9, M10, M11, M12, M13, M14, M15, M16, M17)
0151R00187	BASE VALVE 3/8"
0151R00186	BASE VALVE 7/8" (M18, M19, M20, M21, M22, M23, M24)
0150M00012	BLADE-FAN 20" CCW (M1, M2, M3, M4, M5, M6, M7, M8)
CAP050350440CS	CAP, 5/35 MFD/440V/DUAL RD (M1, M2, M3, M8)
CAP050400440CT	CAP, 5/40 MFD/440V/DUAL RD (M10, M11, M12, M13)
CAP050450440CT	CAP, 5/45 MFD/440V/DUAL RD (M5, M6, M7, M14, M15, M16, M17, M18, M19, M20, M21, M22)
CAP050500440CT	CAP, 5/50 MFD/440V/DUAL RD (M9)
CAP050700440CT	CAP, 5/70 MFD/440V/DUAL RD (M23, M24)
CAP050300440CS	CAP,5/30MFD/440V/DUAL RD (M4)
ZP14K6EPFV120	COMP, 20200, 208/230/60/1 (M4)
ZP29K6EPFV120	COMP, 39700, 208/230/60/1 (M15, M16, M17)
ZP20K5EPFV130	COMP,20000,208/230/60/1 (M8)
ZP29K5EPFV130	COMP,29000,208/230/60/1 (M14)
ZP31K5EPFV130	COMP,31100,208/230/60/1 (M18, M19, M20)
ZP38K5EPFV130	COMP,37500,208/230/60/1 (M21, M22)
ZP49K5EPFV130	COMP,49400,208/230/60/1 (M23, M24)
5VS250FAC21	COMPRESSOR, PANASONIC (M13)
5VS250FAA21	COMPRESSOR, PANASONIC (M10, M11)
5VS250FAB21	COMPRESSOR, PANASONIC (M12)
CONT1P030024V	CONTACTOR 30 AMP, 1P, 24V
0130M00178	DPDT RELAY 24VAC (M9)
0150M00008	FAN BLADE, 22" TNT2203-25 (M9, M10, M11, M12, M13, M14, M15, M16, M17, M18, M19, M20)
0150M00066	FAN BLADE, 26" (M21, M22, M23, M24)
0163R00002	HEATER, CRANKCASE 230V, 40W (M9)
0131M00968	MOTOR, 1/4HP, 1SP, 8PL, AL (M22, M24)
0131M00807	MOTOR, 1/4HP,1SP,8PL,AL (M21, M23)
0131M00753	MOTOR, 1/6HP, 1SP, 8PL, AL (M9, M10, M14, M15, M17, M18, M20)
0131M00971	MOTOR, 1/6HP, 1SP, 8PL, AL (M11, M12, M13, M16, M19)
0131M00969	MOTOR, 1/8HP, 8PL, PSC (M3, M7)
0130M00089	SW-CUTOUT HI PRESS (M1, M2, M3, M5, M6, M7, M9, M10, M11, M12, M13)

Expanded Model Nomenclature

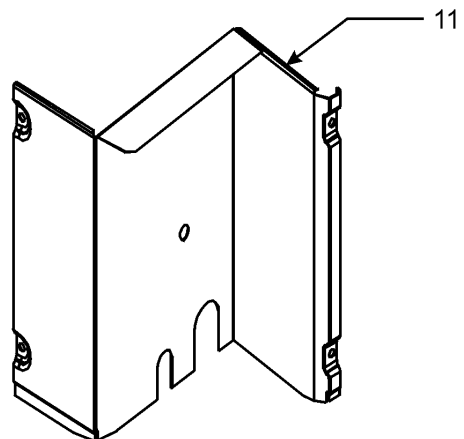
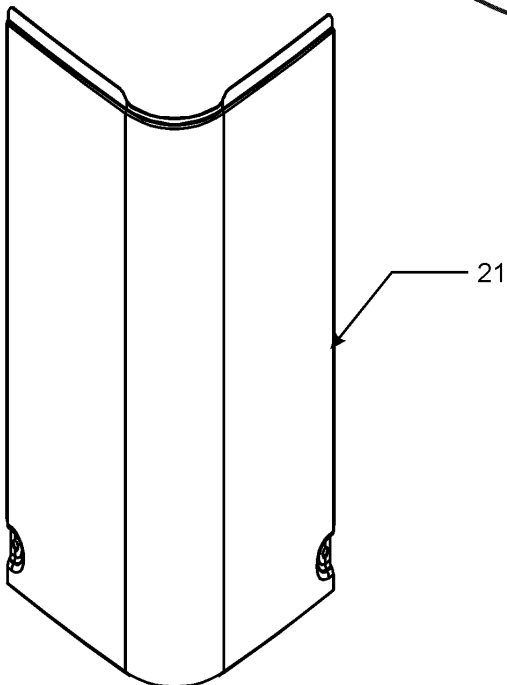
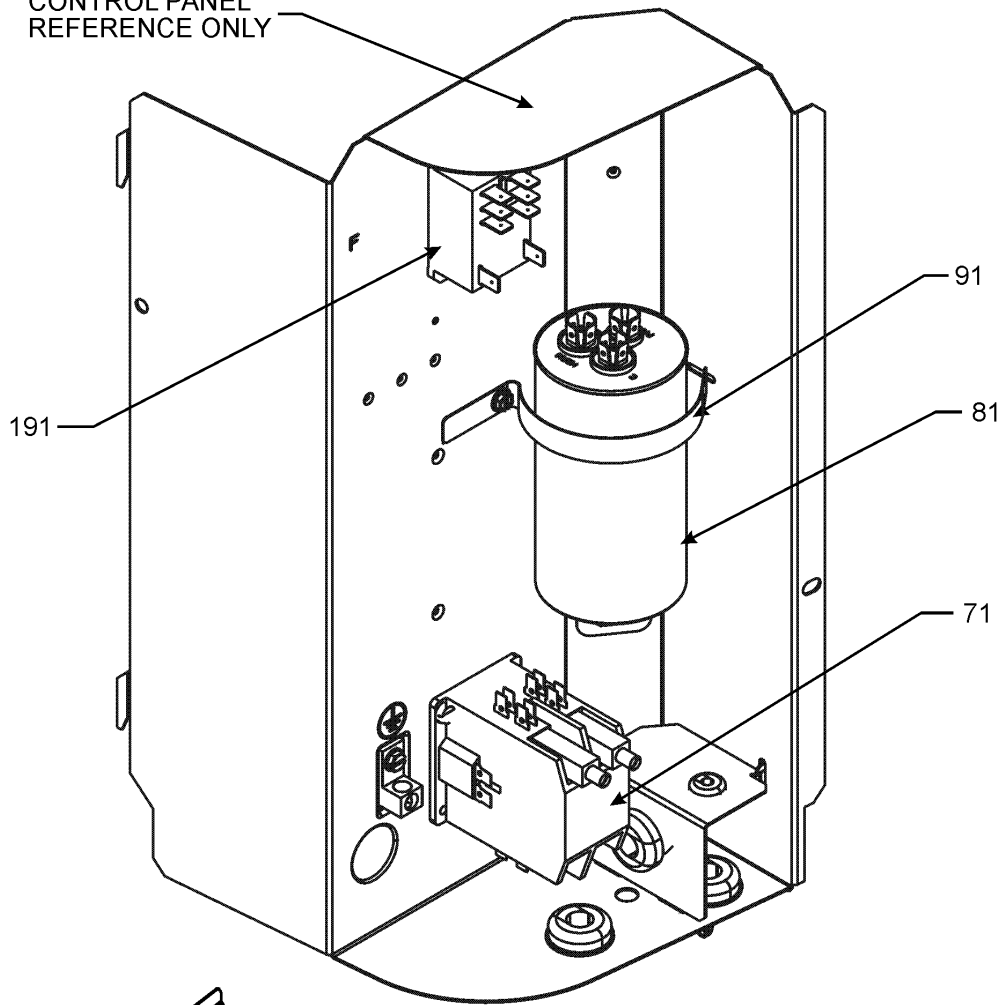
M1 - ANX140181BB
M2 - ANX140181BC
M3 - ANX140181BD
M4 - ANX140191AC
M5 - ANX140241BB
M6 - ANX140241BC
M7 - ANX140241BD
M8 - ANX140251BB
M9 - ANX140301BA
M10 - ANX140301DA
M11 - ANX140301DB
M12 - ANX140301DC
M13 - ANX140301DD
M14 - ANX140361AD
M15 - ANX140361AE
M16 - ANX140361AF
M17 - ANX140371AD
M18 - ANX140421AD
M19 - ANX140421AE
M20 - ANX140431AD
M21 - ANX140481AC
M22 - ANX140481AD
M23 - ANX140601AC
M24 - ANX140601AD

SPECIAL PARTS

0161R00087	NAMEPLATE, AMANA LOGO
------------	-----------------------

Control Box Assembly

CONTROL PANEL
REFERENCE ONLY



Control Box Assembly

Ref. Part No:	Part No:	Description:	Ref. Part No:	Part No:	Description:
---------------	----------	--------------	---------------	----------	--------------

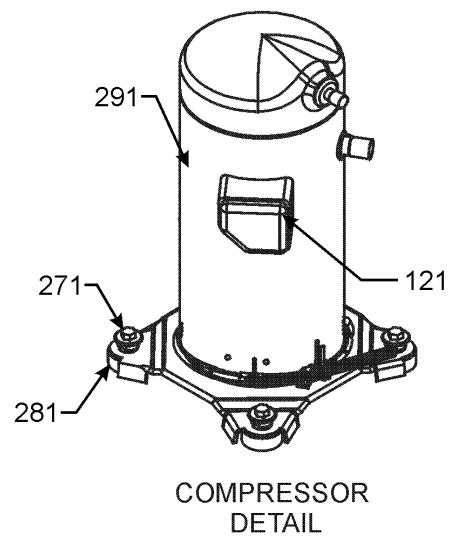
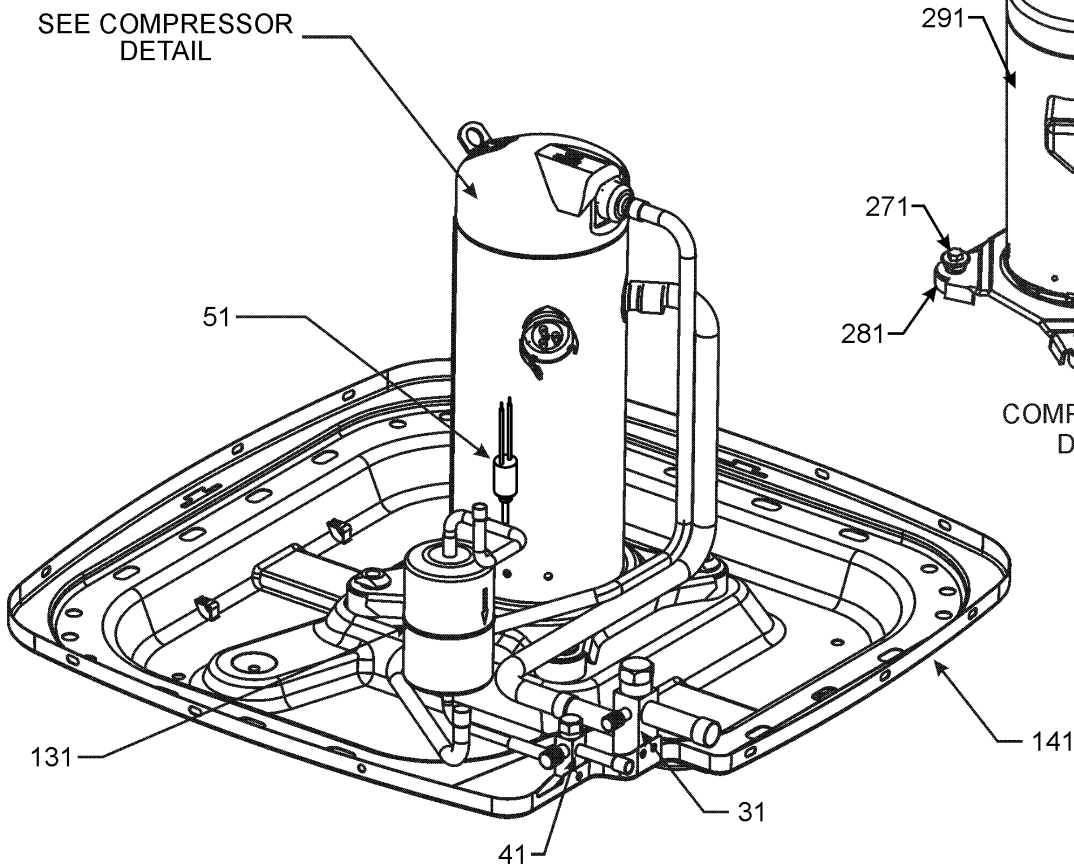
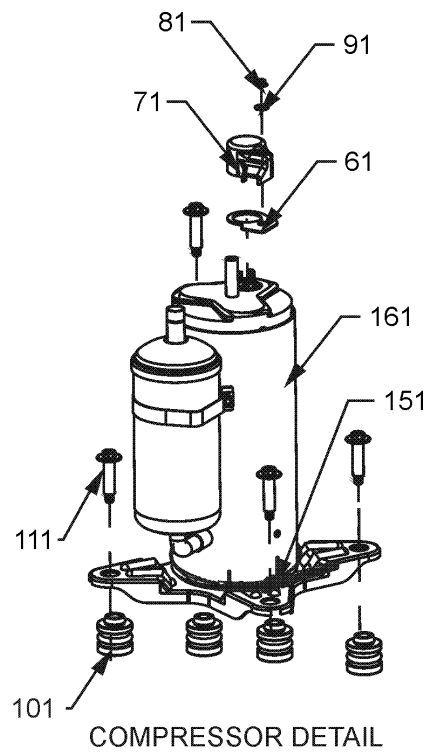
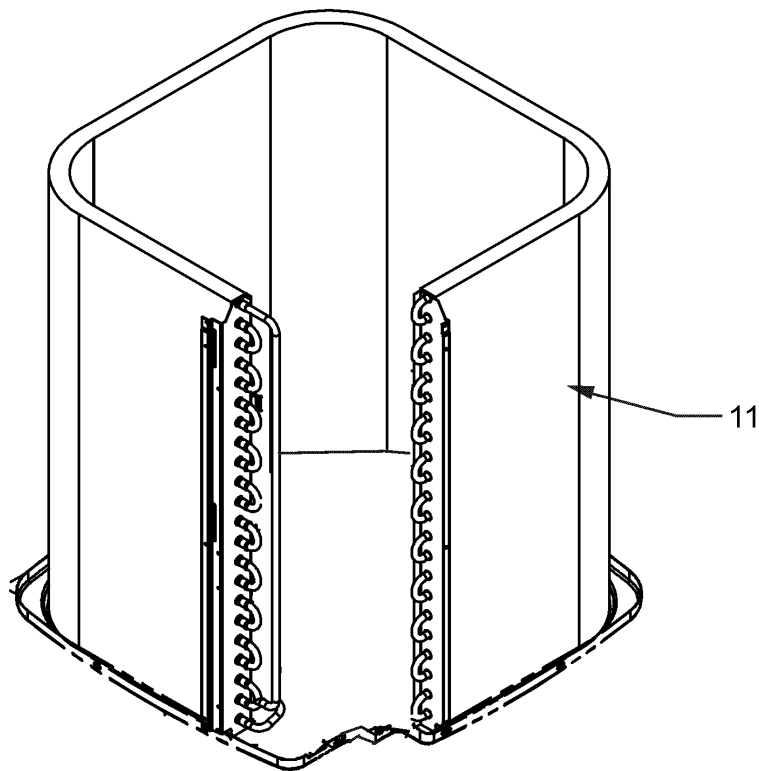
Image 1:

11	0121R00663PDG	LOWER ACCESS PANEL (M8)
11	0121R00326PDG	PANEL, LOWER ACCESS PNT (M4)
11	0121R00909PDG	PNL, LWR ACCESS (M23, M24)
11	0121R00912PDG	PNL, LWR ACCESS (M9, M18, M19, M20, M21, M22)
11	0121R00915PDG	PNL, LWR ACCESS (M1, M2, M3, M5, M6, M7)
11	0121R00919PDG	PNL, LWR ACCESS (M10, M11, M12, M13, M14, M15, M16, M17)
21	0121R00937PDG	CONTROL COVER, PNT
71	CONT1P030024V	CONTACTOR 30 AMP, 1P, 24V
81	CAP050350440CS	CAP, 5/35 MFD/440V/DUAL RD (M1, M2, M3, M8)
81	CAP050400440CT	CAP, 5/40 MFD/440V/DUAL RD (M10, M11, M12, M13)
81	CAP050450440CT	CAP, 5/45 MFD/440V/DUAL RD (M5, M6, M7, M14, M15, M16, M17, M18, M19, M20, M21, M22)
81	CAP050500440CT	CAP, 5/50 MFD/440V/DUAL RD (M9)
81	CAP050700440CT	CAP, 5/70 MFD/440V/DUAL RD (M23, M24)
81	CAP050300440CS	CAP,5/30MFD/440V/DUAL RD (M4)
91	4400065	CAPACITOR STRAP
191	0130M00178	DPDT RELAY 24VAC (M9)
NS	0161R00087	NAMEPLATE, AMANA LOGO

Expanded Model Nomenclature

M1 - ANX140181BB
M2 - ANX140181BC
M3 - ANX140181BD
M4 - ANX140191AC
M5 - ANX140241BB
M6 - ANX140241BC
M7 - ANX140241BD
M8 - ANX140251BB
M9 - ANX140301BA
M10 - ANX140301DA
M11 - ANX140301DB
M12 - ANX140301DC
M13 - ANX140301DD
M14 - ANX140361AD
M15 - ANX140361AE
M16 - ANX140361AF
M17 - ANX140371AD
M18 - ANX140421AD
M19 - ANX140421AE
M20 - ANX140431AD
M21 - ANX140481AC
M22 - ANX140481AD
M23 - ANX140601AC
M24 - ANX140601AD

Compressor and Tubing Assembly



Compressor and Tubing Assembly

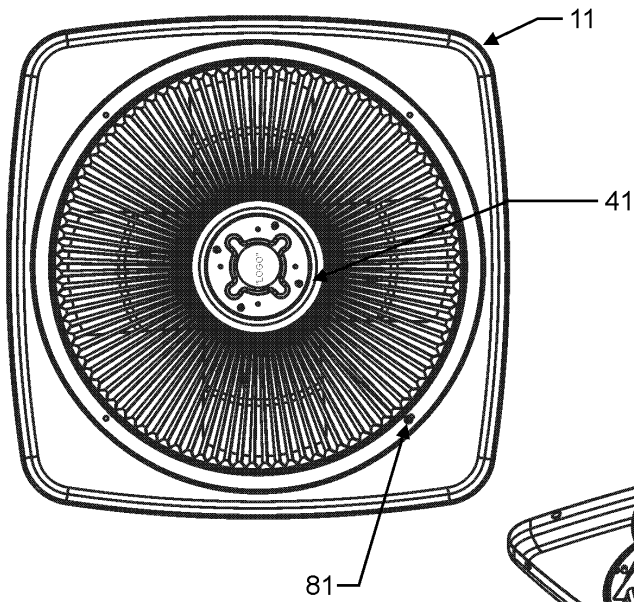
Ref. Part No:	Ref. Part No:	Description:	Description:
Image 1:		Image 1:	
11	0201R00279	COIL TUBING ASSY (M14)	161 ZP38K5EPFV130 COMP,37500,208/230/60/1 (M21, M22)
11	0201R00296	COIL TUBING ASSY (M10, M11, M12, M13, M15, M16, M17)	161 ZP49K5EPFV130 COMP,49400,208/230/60/1 (M23, M24)
11	0201R00385	COIL TUBING ASSY (M21, M22)	161 5VS250FAA21 COMPRESSOR, PANASONIC (M10, M11)
11	0201R00433	COIL TUBING ASSY (M23, M24)	161 5VS250FAB21 COMPRESSOR, PANASONIC (M12)
11	0201R00458	COIL TUBING ASSY (M1, M2, M3, M4, M5, M6, M7)	161 5VS250FAC21 COMPRESSOR, PANASONIC (M13)
11	0201R00566	COIL TUBING ASSY (M9, M18, M19, M20)	271 M0221641 TF SHOULDER SCREW (M4, M8, M14, M15, M16, M17, M18, M19, M20, M21, M22, M23, M24)
11	0201R00666	COIL TUBING ASSY (M8)	281 B1339533 COMPRESSOR GROMMET (M4, M8, M14, M15, M16, M17, M18, M19, M20, M21, M22, M23, M24)
31	0151R00185	BASE VALVE 3/4" (M1, M2, M3, M4, M5, M6, M7, M8, M9, M10, M11, M12, M13, M14, M15, M16, M17)	291 50N382YV-ZAKM 1.5T RECHI COMPRESSOR (4-LEGS) (M1, M2, M3)
31	0151R00186	BASE VALVE 7/8" (M18, M19, M20, M21, M22, M23, M24)	291 50N492ZV-ZAKM 2.0TONRECHI COMPR.4 LEGS (M5, M6, M7)
41	0151R00187	BASE VALVE 3/8"	291 ZP14K6EPFV120 COMP, 20200, 208/230/60/1 (M4)
51	0130M00089	SW-CUTOUT HI PRESS (M1, M2, M3, M5, M6, M7, M9, M10, M11, M12, M13)	291 ZP29K6EPFV120 COMP, 39700, 208/230/60/1 (M15, M16, M17)
61	0154M00003	GASKET, TERM COVER (M10, M11, M12, M13)	NS 0160M00036 COMPRESSOR BLANKET (M9, M10, M11, M12, M13)
61	60100107	TERMINAL COVER GASKET (M1, M2, M3, M5, M6, M7, M9)	NS B1789851 FLOW CHECK PISTON KIT .051 (M1, M2, M3)
71	0130M00028	TERMINAL COVER (M10, M11, M12, M13)	NS B1789853 FLOW CHECK PISTON KIT .053 (M4)
71	60100317	TERMINAL COVER (M1, M2, M3, M5, M6, M7, M9)	NS B1789857 FLOW CHECK PISTON KIT .057 (M5, M6, M7, M8)
81	0163M00468	TERMINAL COVER NUT (M10, M11, M12, M13)	NS B1789867 FLOW CHECK PISTON KIT .067 (M9, M10, M11, M12, M13)
81	60100401	TERMINAL NUT - RECHI COMP (M1, M2, M3, M5, M6, M7, M9)	NS B1789868 FLOW CHECK PISTON KIT .068 (M14, M15, M16)
91	0154M00078	TERMINAL COVER NUT GASKET (M10, M11, M12, M13)	NS B1789871 FLOW CHECK PISTON KIT .071 (M17)
91	60100201	WASHER - RECHI COMPRESSOR (M1, M2, M3, M5, M6, M7, M9)	NS B1789874 FLOW CHECK PISTON KIT .074 (M18, M19, M20)
101	60140209	GROMMET - RECHI COMPRESSOR (M1, M2, M3, M5, M6, M7, M9)	NS B1789878 FLOW CHECK PISTON KIT .078 (M21, M22)
101	0164M00000P	GROMMET, COMP, PANASONIC (M10, M11, M12, M13)	NS B1789888 FLOW CHECK PISTON KIT .088 (M23, M24)
111	0163M00186	SCREW-SHOULDER TF (M1, M2, M3, M5, M6, M7, M9)	
111	0163M00502	SCREW-SHOULDER TF BLUE (M10, M11, M12, M13)	
121	0159R00019	HARNESS, COMP SCROLL (M15, M16)	
121	0159R00020	HARNESS, COMP SCROLL (M14, M18, M19)	
121	0159R00021	HARNESS, COMP SCROLL (M21, M22)	
121	0159R00000P	HARNESS, COMP SCROLL 130 36" (M4, M8)	
121	0159R00001P	HARNESS, COMP SCROLL 130 42" (M17, M20)	
121	0159R00002P	HARNESS, COMP SCROLL 130 46" (M23, M24)	
131	0162R00009	DRIER - FILTER (M4)	
131	0162R00057	FILTER DRIER (M1, M2, M3, M5, M6, M7, M8, M9, M10, M11, M12, M13, M14, M15, M16, M17, M18, M19, M20, M21, M22, M23, M24)	
141	0121R00005PDG	BASE PAN 26" (M1, M2, M3, M4, M5, M6, M7, M8)	
141	0121R00006PDG	BASE PAN 29" (M9, M10, M11, M12, M13, M14, M15, M16, M17, M18, M19, M20)	
141	0121R00007PDG	BASE PAN 35" (M21, M22, M23, M24)	
151	0163R00002	HEATER, CRANKCASE 230V, 40W (M9)	
161	50N6229V-ZAKM	2.5 TON RECHI COMPR. 4 LEGS (M9)	
161	ZP20K5EPFV130	COMP,20000,208/230/60/1 (M8)	
161	ZP29K5EPFV130	COMP,29000,208/230/60/1 (M14)	
161	ZP31K5EPFV130	COMP,31100,208/230/60/1 (M18, M19, M20)	

Expanded Model Nomenclature

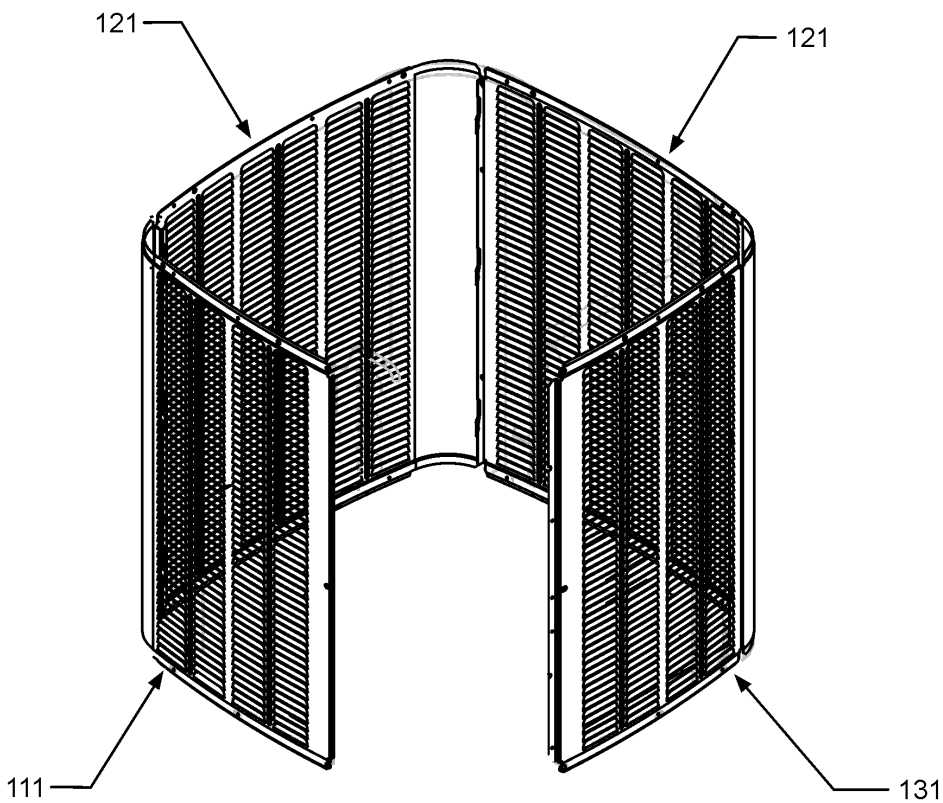
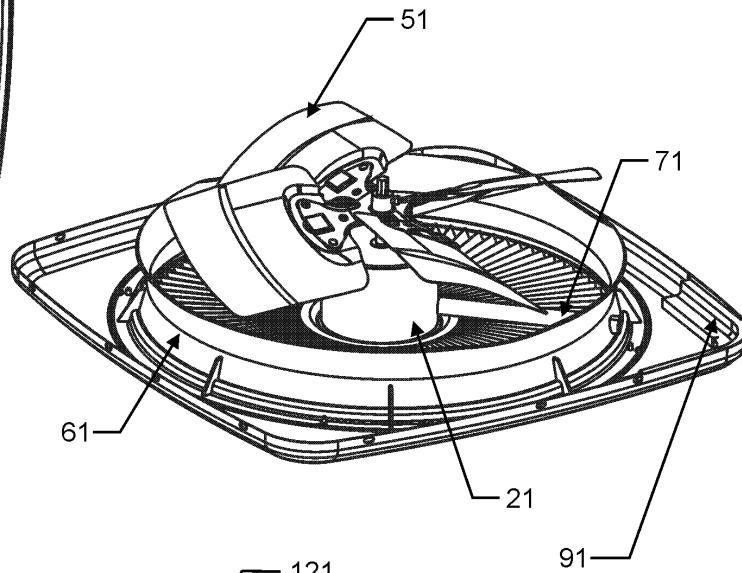
M1 - ANX140181BB
M2 - ANX140181BC
M3 - ANX140181BD
M4 - ANX140191AC
M5 - ANX140241BB
M6 - ANX140241BC
M7 - ANX140241BD
M8 - ANX140251BB
M9 - ANX140301BA
M10 - ANX140301DA
M11 - ANX140301DB
M12 - ANX140301DC
M13 - ANX140301DD
M14 - ANX140361AD
M15 - ANX140361AE
M16 - ANX140361AF
M17 - ANX140371AD
M18 - ANX140421AD
M19 - ANX140421AE
M20 - ANX140431AD
M21 - ANX140481AC
M22 - ANX140481AD
M23 - ANX140601AC
M24 - ANX140601AD

Top and Louver Panel Assembly

TOP VIEW



BOTTOM VIEW



LOUVER PANEL ASSEMBLY

Top and Louver Panel Assembly

Ref. Part No:	Description:	Ref. Part No:	Description:
Image 1:		Image 1:	
11	0121R00008PDG TOP PANEL 26" (M1, M2, M3, M4, M5, M6, M7, M8)	131	0121R00193PLG LOUVERED SIDE PANEL [RT OF CNTL PNL] (M10, M11, M12, M13, M14, M15, M16, M17)
11	0121R00010PDG TOP PANEL 29" (M9, M10, M11, M12, M13, M14, M15, M16, M17, M18, M19, M20)	131	0121R00194PLG LOUVERED SIDE PANEL [RT OF CNTL PNL] (M9, M18, M19, M20)
11	0121R00269PDG TOP PANEL, 35" (M21, M22, M23, M24)	131	0121R00196PLG LOUVERED SIDE PANEL [RT OF CNTL PNL] (M1, M2, M3, M4, M5, M6, M7)
21	0131M00266 1/8 HP 8 PL PSC MOTOR (M1, M6)	131	0121R00197PLG LOUVERED SIDE PANEL [RT OF CNTL PNL] (M8)
21	0131M00811 1/8 HP 8 PL PSC MOTOR (M2, M4, M5, M8)	131	0121R00247PLG LOUVERED SIDE PANEL [RT OF CNTL PNL] (M21, M22)
21	0131M00968 MOTOR, 1/4HP, 1SP, 8PL, AL (M22, M24)	131	0121R00248PLG PANEL 3, LOUVER 35 (M23, M24)
21	0131M00807 MOTOR, 1/4HP, 1SP, 8PL, AL (M21, M23)	NS	0163M00005P WASHER, BLACK (.50 OD .218D) (QTY 4)
21	0131M00753 MOTOR, 1/6HP, 1SP, 8PL, AL (M9, M10, M14, M15, M17, M18, M20)	Expanded Model Nomenclature	
21	0131M00971 MOTOR, 1/6HP, 1SP, 8PL, AL (M11, M12, M13, M16, M19)	<div style="border: 1px solid black; padding: 5px;"> M1 - ANX140181BB M2 - ANX140181BC M3 - ANX140181BD M4 - ANX140191AC M5 - ANX140241BB M6 - ANX140241BC M7 - ANX140241BD M8 - ANX140251BB M9 - ANX140301BA M10 - ANX140301DA M11 - ANX140301DB M12 - ANX140301DC M13 - ANX140301DD M14 - ANX140361AD M15 - ANX140361AE M16 - ANX140361AF M17 - ANX140371AD M18 - ANX140421AD M19 - ANX140421AE M20 - ANX140431AD M21 - ANX140481AC M22 - ANX140481AD M23 - ANX140601AC M24 - ANX140601AD </div>	
21	0131M00969 MOTOR, 1/8HP, 8PL, PSC (M3, M7)		
41	0163M00006P ACORN NUT 5/16 HEX BLACK (QTY 4)		
51	0150M00012 BLADE-FAN 20" CCW (M1, M2, M3, M4, M5, M6, M7, M8)		
51	0150M00008 FAN BLADE, 22" TNT2203-25 (M9, M10, M11, M12, M13, M14, M15, M16, M17, M18, M19, M20)		
51	0150M00066 FAN BLADE, 26" (M21, M22, M23, M24)		
61	0161R00048 MOLDED RING-VENTURI 22 (M14)		
61	0161R00007P RING, VENTURI 35" (M21, M22)		
61	0161L00000 RING-VENTURI 22 (M9, M10, M11, M12, M13, M15, M16, M17, M18, M19, M20)		
71	0161R00001P CONDUIT (M1, M2, M3, M4, M5, M6, M7, M8)		
71	0161R00002P CONDUIT (M9, M10, M11, M12, M13, M14, M15, M16, M17, M18, M19, M20)		
71	0161R00004P CONDUIT (M21, M22)		
71	0161R00005P CONDUIT (M23, M24)		
81	0163M00004 SCREW #10X3/4", BLACK (M9, M10, M11, M12, M13, M14, M15, M16, M17, M18, M19, M20, M21, M22, M23, M24)		
81	0163M00003P SCREW, #10 X 1/2, A, SLOT, SR, BLK (M1, M2, M3, M4, M5, M6, M7, M8)		
91	0154R00045 GASKET, CONTROL PANEL		
111	0121R00200PLG LOUVERED SIDE PANEL [LT OF CNTL PNL] (M10, M11, M12, M13, M14, M15, M16, M17)		
111	0121R00202PLG LOUVERED SIDE PANEL [LT OF CNTL PNL] (M9, M18, M19, M20)		
111	0121R00207PLG LOUVERED SIDE PANEL [LT OF CNTL PNL] (M1, M2, M3, M4, M5, M6, M7)		
111	0121R00208PLG LOUVERED SIDE PANEL [LT OF CNTL PNL] (M8)		
111	0121R00239PLG LOUVERED SIDE PANEL [LT OF CNTL PNL] (M21, M22)		
111	0121R00240PLG PANEL 1, BENT LOUVER 35 (M23, M24)		
121	0121R00198PLG LOUVERED SIDE PANEL (M1, M2, M3, M4, M5, M6, M7)		
121	0121R00199PLG LOUVERED SIDE PANEL (M8)		
121	0121R00204PLG LOUVERED SIDE PANEL (M10, M11, M12, M13, M14, M15, M16, M17)		
121	0121R00205PLG LOUVERED SIDE PANEL (M9, M18, M19, M20)		
121	0121R00243PLG LOUVERED SIDE PANEL (M21, M22)		
121	0121R00244PLG PANEL 2, BENT LOUVER 35 (M23, M24)		