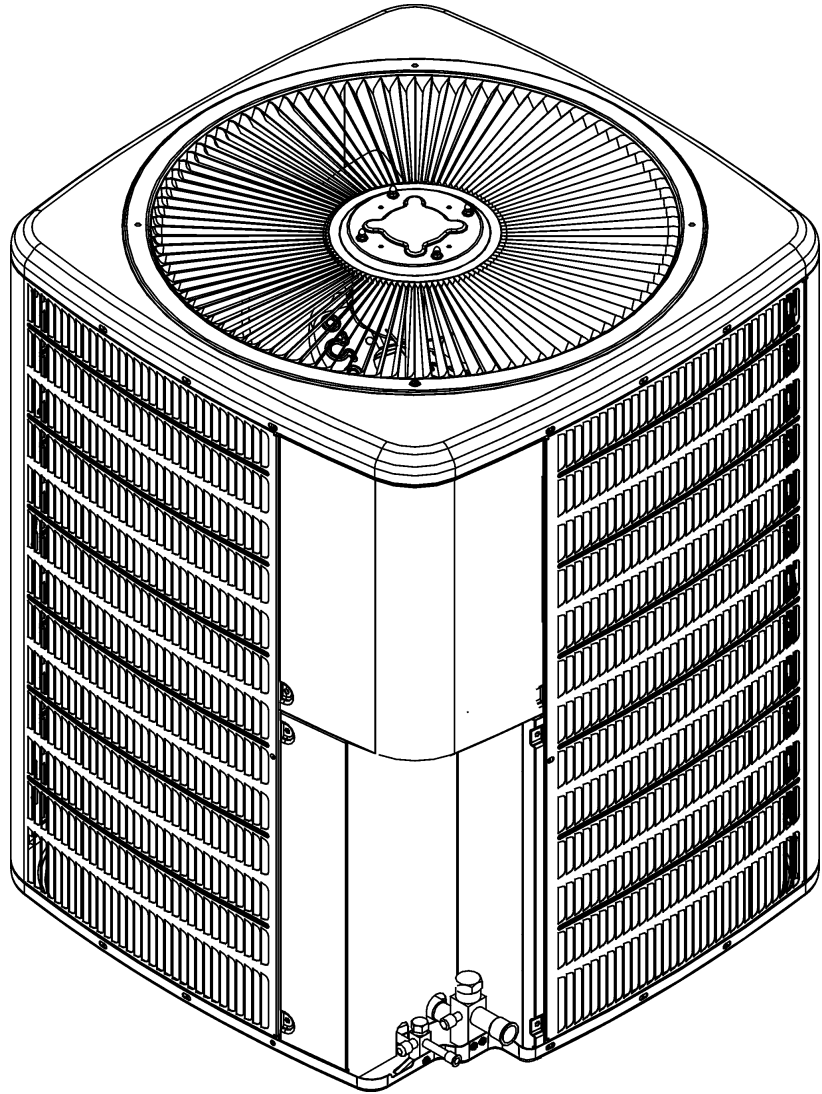


ANX14 Remote Condensing Unit

ANX140181BA

ANX140241BA



Amana® is a registered trademark of Maytag Corporation or its related companies and is used under license. All rights reserved.

This manual is to be used by qualified technicians only.

Important Information

Index

Functional Parts List	3
Illustration and Parts	4 - 9

Views shown are for parts illustrations only, not servicing procedures

Text Codes:

AR - As Required

NA - Not Available

NS - Not Shown

00000000 - See Note

QTY - Quantity Example (QTY 3) (If Quantity not shown, Quantity = 1)

M - Model Example (M1) (If M Code not shown, then part is used on all Models)

Expanded Model Nomenclature:

Example M1 - Model#1 M2 - Model#2 M3 - Model#3

Goodman Manufacturing Company, L.P. is not responsible for personal injury or property damage resulting from improper service. Review all service information before beginning repairs.

Warranty service must be performed by an authorized technician, using authorized factory parts. If service is required after the warranty expires, Goodman Manufacturing Company, L.P. also recommends contacting an authorized technician and using authorized factory parts.

Goodman Manufacturing Company, L.P. reserves the right to discontinue, or change at any time, specifications or designs without notice or without incurring obligations.

For assistance within the U.S.A. contact:
Homeowner Support Department
Goodman Manufacturing Company, L.P.
19001 Kermier Road
Waller, Texas 77484
877-254-4729-Telephone
713-863-2382-Facsimile

For assistance outside the U.S.A. contact:
International Division
Goodman Manufacturing Company, L.P.
19001 Kermier Road
Waller, Texas 77484
713-861-2500-Telephone
713-863-2382-Facsimile

Functional Parts

Part

No: **Description:**

50N382XV-ZAKM	1.5T RECHI ROTARY COMPRESSOR (M1)
50N492ZV-ZAKM	2.0TONRECHI COMPR.4 LEGS (M2)
0151R00079	BASE VALVE 3/4"
0151R00078	BASE VALVE 3/8"
CAP050350440CS	CAPACITOR 5/35/440V (M1)
CAP050450440CT	CAPACITOR 5/45/440V/DUAL RD (M2)
0131M00266	COND MOTOR 1/8 HP, 8 PL, PSC
CONT1P025024V	CONTACTOR 25 AMP, 1P, 24V
0150M00012	FAN BLADE 20" CCW

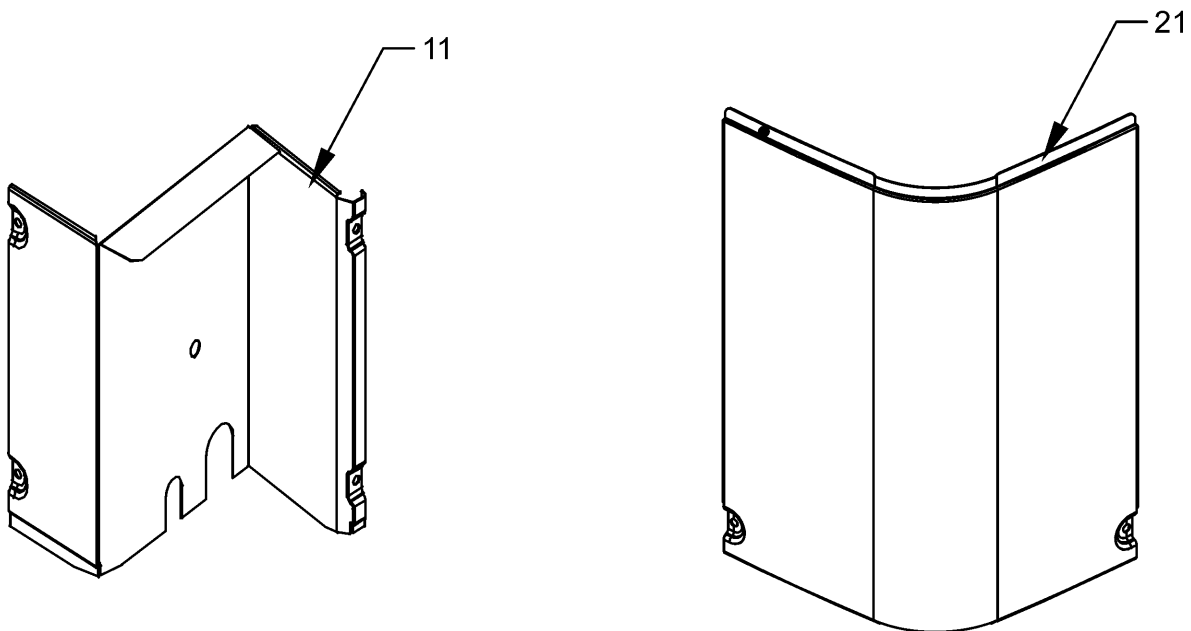
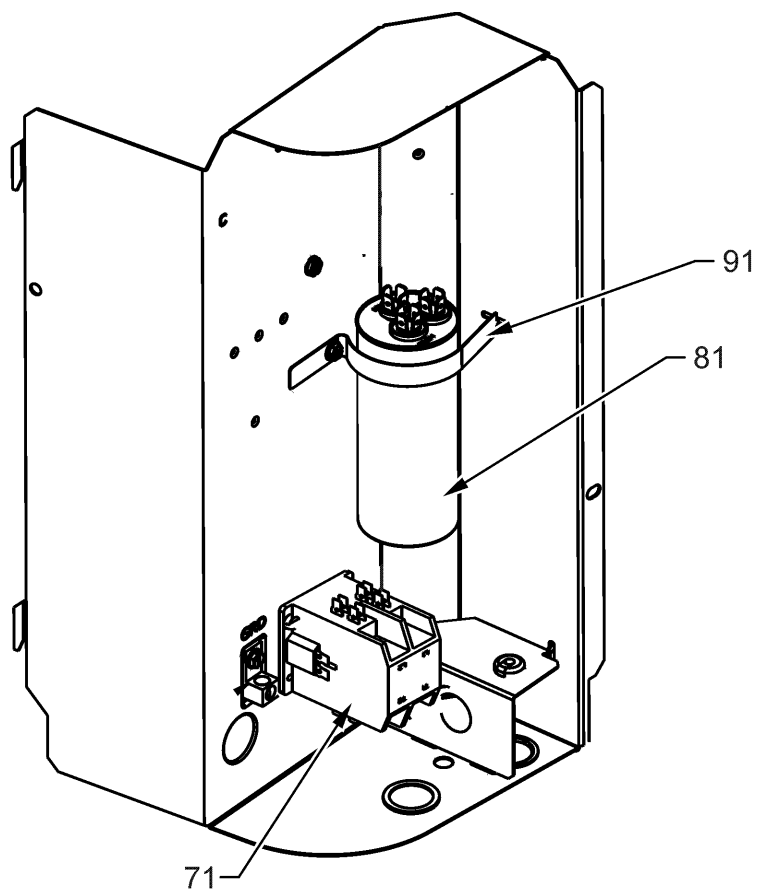
SPECIAL PARTS

0161R00010P AMANA NAMEPLATE

Expanded Model Nomenclature

M1 - ANX140181BA
M2 - ANX140241BA

Control Box Assy



Control Box Assy

Ref. Part No: No:	Description:	Ref. Part No: No:	Description:
-------------------	--------------	-------------------	--------------

Image 1:

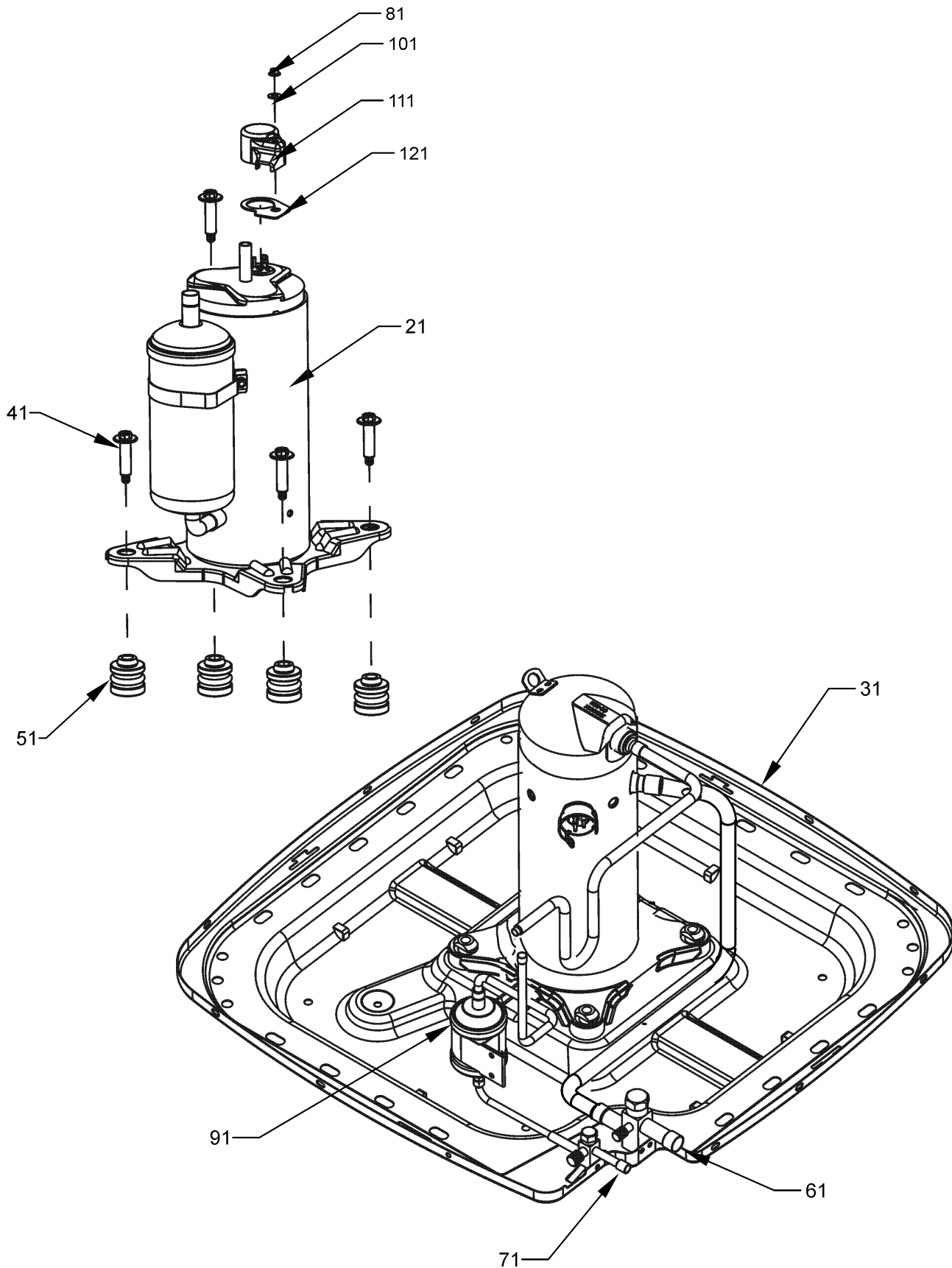
11	0121R00326PDG	PANEL, LOWER ACCESS PNT
21	0121R00053PDG	CONTROL COVER
71	CONT1P025024V	CONTACTOR 25 AMP, 1P, 24V
81	CAP050350440CS	CAPACITOR 5/35/440V (M1)
81	CAP050450440CT	CAPACITOR 5/45/440V/DUAL RD (M2)
91	4400065	CAPACITOR STRAP

Expanded Model Nomenclature

M1 - ANX140181BA

M2 - ANX140241BA

Compressor & Tubing Assy



Compressor & Tubing Assy

Ref. Part No: No:	Description:	Ref. Part No: No:	Description:
-------------------	--------------	-------------------	--------------

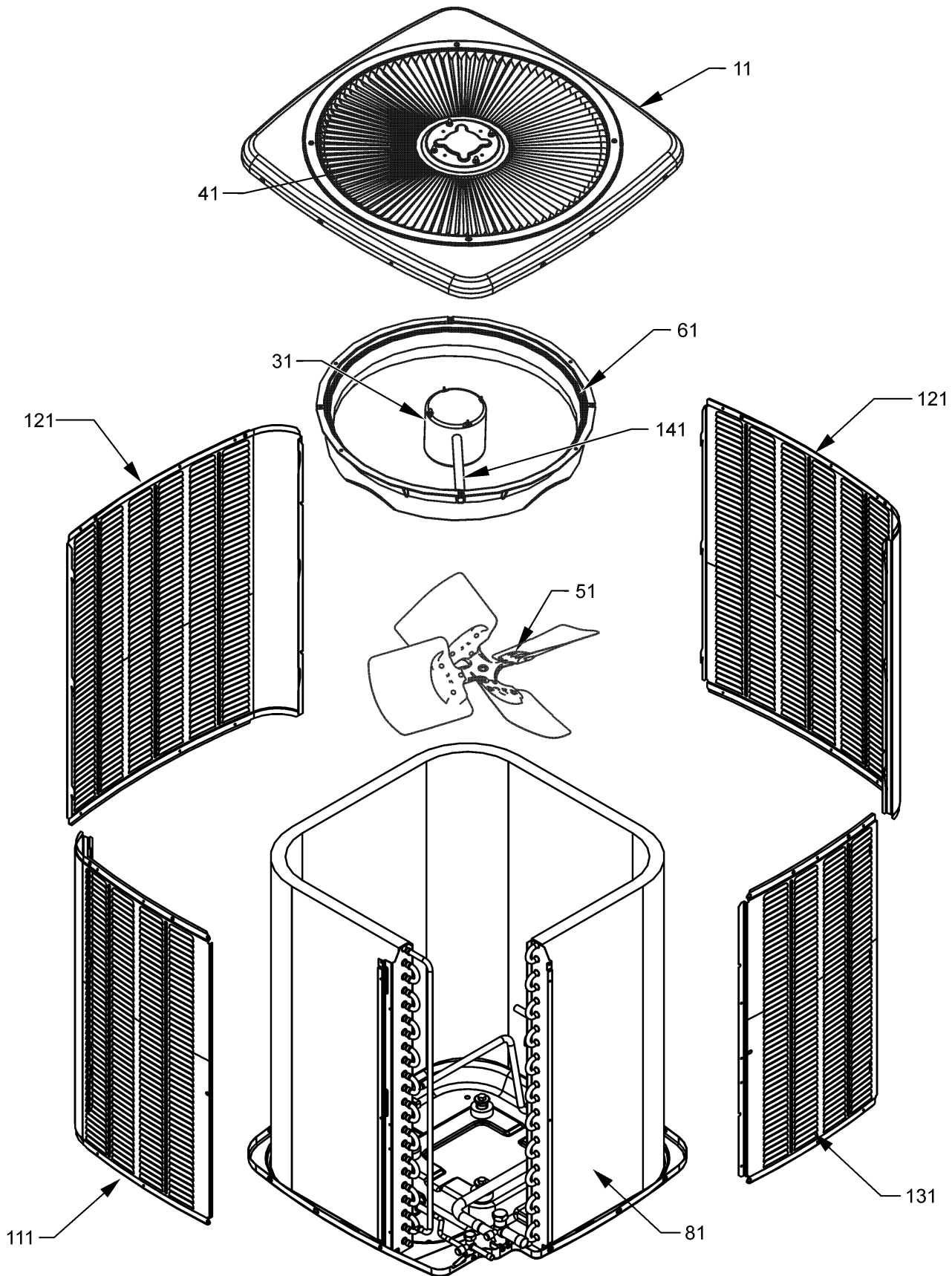
Image 1:

21	50N382XV-ZAKM	1.5T RECHI ROTARY COMPRESSOR (M1)
21	50N492ZV-ZAKM	2.0TONRECHI COMPR.4 LEGS (M2)
31	0121R00005PDG	BASE PAN 26"
41	0163M00186	SCREW-SHOULDER TF (QTY 4)
51	60140209	GROMMET - RECHI COMPRESSOR (QTY 4)
61	0151R00079	BASE VALVE 3/4"
71	0151R00078	BASE VALVE 3/8"
81	60100401	TERMINAL NUT - RECHI COMP
91	0162R00009	FILTER DRIER
101	60100201	WASHER - RECHI COMPRESSOR
111	60100317	TERMINAL COVER
121	60100107	TERMINAL COVER GASKET

Expanded Model Nomenclature

M1 - ANX140181BA
M2 - ANX140241BA

Top & Side Panel Assy



Top & Side Panel Assy

Ref. Part No:	No:	Description:	Ref. Part No:	No:	Description:
---------------	-----	--------------	---------------	-----	--------------

Image 1:

11	0121R00008PDG	TOP PANEL 26"
31	0131M00266	COND MOTOR 1/8 HP, 8 PL, PSC
41	0163M00006P	ACORN NUT 5/16 HEX BLACK (QTY 4)
51	0150M00012	FAN BLADE 20" CCW
81	0201R00458	TUBING ASSY, COND COIL
111	0121R00207PLGB	LOUVERED SIDE PANEL [LT OF CNTL PNL]
121	0121R00198PLGB	LOUVERED SIDE PANEL (QTY 2)
131	0121R00196PLG	LOUVERED SIDE PANEL [RT OF CNTL PNL]
141	0161R00001P	CONDUIT
NS	0161R00010P	AMANA NAMEPLATE
NS	B1789851	FLOW CHECK PISTON KIT .051 (M1)
NS	B1789857	FLOW CHECK PISTON KIT .057 (M2)
NS	0163M00005P	WASHER, BLACK (.50 OD .218ID) (QTY 4)

Expanded Model Nomenclature

M1 - ANX140181BA

M2 - ANX140241BA