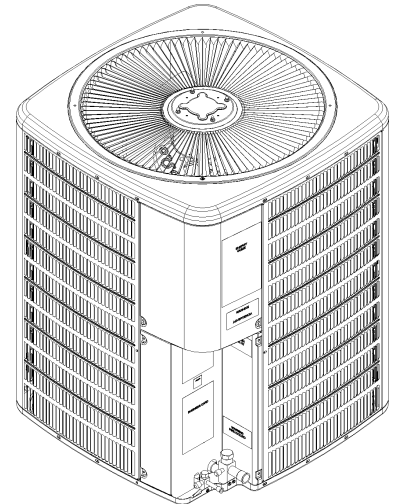


## ANX13 Remote Condensing Unit

ANX130181AC  
ANX130181BA  
ANX130181BB  
ANX130181BC  
ANX130181BD  
ANX130181BE  
ANX130241BC  
ANX130241BD  
ANX130301AE  
ANX130301AF  
ANX130301BA  
ANX130301BB  
ANX130301BC  
ANX130361AE  
ANX130361AF  
ANX130361AH  
ANX130421AE  
ANX130421AF  
ANX130421AG  
ANX130421AH  
ANX130421AJ  
ANX130481AE  
ANX130481AF  
ANX130481AG  
ANX130601AE  
ANX130601AF  
ANX130611AD  
ANX130611AE



Amana® is a registered trademark of Maytag Corporation or its related companies and is used under license. All rights reserved.

This manual is to be used by qualified technicians only.

This manual replaces RP-A4304F.

© 2016 - 2017, 2020 - 2021 Goodman Company, L.P. ♦ 5151 San Felipe St, Suite 500 ♦ Houston, TX 77056

# Important Information

---

## Index

Functional Parts List .....	3
Illustration and Parts .....	4 - 9

*Views shown are for parts illustrations only, not servicing procedures*

### Text Codes:

AR - As Required

NA - Not Available

NS - Not Shown

00000000 - See Note

QTY - Quantity Example (QTY 3) (If Quantity not shown, Quantity = 1)

M - Model Example (M1) (If M Code not shown, then part is used on all Models)

### Expanded Model Nomenclature:

Example M1 - Model#1 M2 - Model#2 M3 - Model#3
---

Goodman Company, L.P. is not responsible for personal injury or property damage resulting from improper service. Review all service information before beginning repairs.

Warranty service must be performed by an authorized technician, using authorized factory parts. If service is required after the warranty expires, Goodman Company, L.P. also recommends contacting an authorized technician and using authorized factory parts.

Goodman Company, L.P. reserves the right to discontinue, or change at any time, specifications or designs without notice or without incurring obligations.

For assistance within the U.S.A. contact:

Homeowner Support  
Goodman Company, L.P.  
19001 Kermier Road  
Waller, Texas 77484  
877-254-4729-Telephone  
713-863-2382-Facsimile

For assistance outside the U.S.A. contact:

International Division  
Goodman Company, L.P.  
19001 Kermier Road  
Waller, Texas 77484  
713-861-2500-Telephone  
713-863-2382-Facsimile

# Functional Parts

## Part

**No:**                      **Description:**

50N382YV-ZAKM	1.5T RECHI COMPRESSOR (4-LEGS) (M4, M5, M6)
50N382XV-ZAKM	1.5T RECHI ROTARY COMPRESSOR (M2, M3)
0131M00811	1/8 HP 8 PL PSC MOTOR (M1, M3, M5, M12)
0131M00266	1/8 HP 8 PL PSC MOTOR (M2, M4, M11)
50N492ZV-ZAKM	2.0TONRECHI COMPR.4 LEGS (M7, M8)
50N6229V-ZAKM	2.5 TON RECHI COMPR. 4 LEGS (M11, M12, M13)
0151R00185	BASE VALVE 3/4" (M1, M2, M3, M4, M5, M6, M7, M8, M9, M10, M11, M12, M13, M14, M15, M16)
0151R00187	BASE VALVE 3/8"
0151R00186	BASE VALVE 7/8" (M17, M18, M19, M20, M21, M22, M23, M24, M25, M26, M27, M28)
CAP050350440CS	CAP, 5/35 MFD/440V/DUAL RD (M2, M3, M4, M5, M6)
CAP050400440CT	CAP, 5/40 MFD/440V/DUAL RD (M9, M10)
CAP050450440CT	CAP, 5/45 MFD/440V/DUAL RD (M7, M8, M14, M15, M16, M17, M18, M19, M20, M21, M22, M23, M24)
CAP050500440CT	CAP, 5/50 MFD/440V/DUAL RD (M11, M12, M13)
CAP050700440CT	CAP, 5/70 MFD/440V/DUAL RD (M25, M26, M27, M28)
CAP050300440CS	CAP,5/30MFD/440V/DUAL RD (M1)
ZP24K5EPFV130	COMP,24000,208/230/60/1 (M9, M10)
ZP29K5EPFV130	COMP,29000,208/230/60/1 (M14, M15, M16)
ZP49K5EPFV130	COMP,49400,208/230/60/1 (M25, M26)
ZP16K5EPFV130	COMPRESSOR 15500, 208/230/60/1 (M1)
ZP34K5EPFV130	COMPRESSOR 34500, 208/230/60/1 (M17, M18, M19, M20, M21)
ZP39K5EPFV130	COMPRESSOR 39000, 208/230/60/1 (M22, M23, M24)
ZP51K5EPFV130	COMPRESSOR 51000, 208/230/60/1 (M27, M28)
CONT1P025024V	CONTACTOR 25 AMP, 1P, 24V (M1, M2, M3, M4, M5, M6, M7, M8, M9, M10, M11, M12, M13, M14, M15, M16, M17, M18, M19, M20, M21)
CONT1P030024V	CONTACTOR 30 AMP, 1P, 24V (M22, M23, M24, M25, M26, M27, M28)
0150M00067	FAN BLADE (M16)
0150M00041	FAN BLADE (M11, M12, M13, M14, M15)
0150M00018	FAN BLADE 20" (M1, M2, M3, M4, M5, M6, M7, M8, M9, M10)
B1086750	FAN BLADE, 22", 3 BLADE,24 DEG (M17, M18, M19, M20, M21, M22, M23, M24, M25, M26)
0150M00066	FAN BLADE, 26" (M27, M28)
0130M00082	LOW PRESSURE SWITCH (M1)
0131M00018P	MOTOR, 1/4HP, 1SP, 6PL (M14, M17, M19, M22, M25)
0131M00813	MOTOR, 1/4HP, 1SP, 6PL (M15, M18, M20, M23, M26)
0131M00968	MOTOR, 1/4HP, 1SP, 8PL, AL (M28)
0131M00807	MOTOR, 1/4HP,1SP,8PL,AL (M27)
0131M00800	MOTOR, 1/8HP, 1SP, 6PL, AL (M7, M9, M10)
0131M00967	MOTOR, 1/8HP, 1SP, 6PL, AL (M8)
0131M00969	MOTOR, 1/8HP, 8PL, PSC (M6, M13)
0131M00954	MOTOR, OD, PSC, 1/4HP (M16, M21, M24)
0130M00089	SW-CUTOUT HI PRESS (M2, M3, M4, M5, M6, M7, M8, M11, M12, M13)

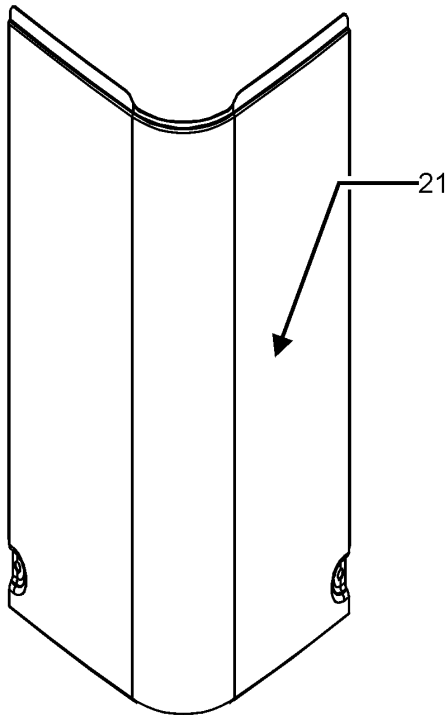
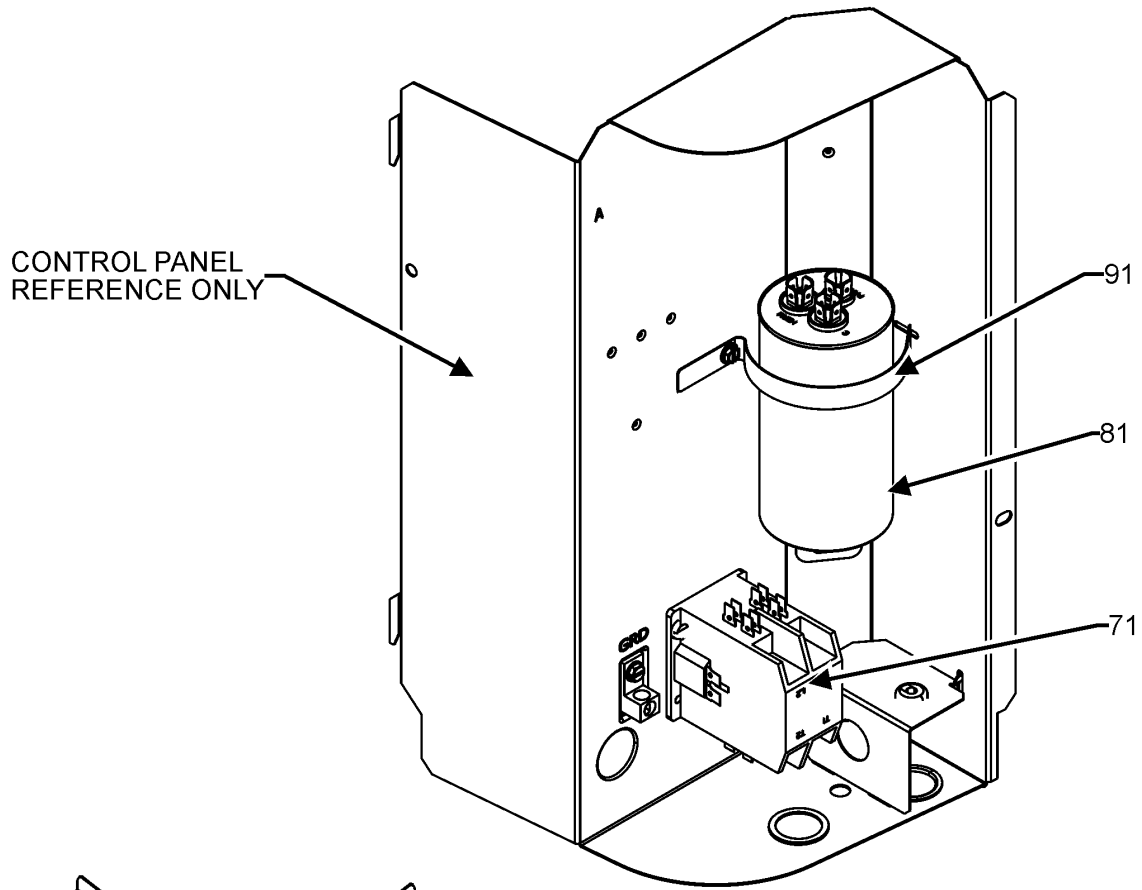
## SPECIAL PARTS

0161R00087                      NAMEPLATE, AMANA LOGO

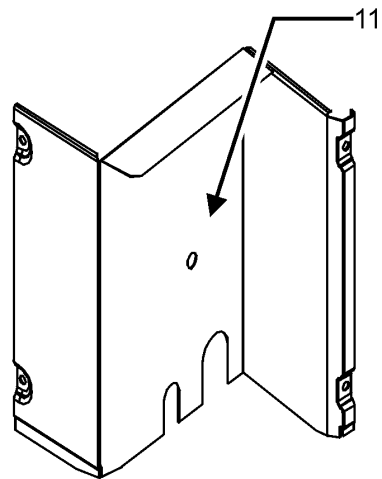
## Expanded Model Nomenclature

M1 - ANX130181AC
M2 - ANX130181BA
M3 - ANX130181BB
M4 - ANX130181BC
M5 - ANX130181BD
M6 - ANX130181BE
M7 - ANX130241BC
M8 - ANX130241BD
M9 - ANX130301AE
M10 - ANX130301AF
M11 - ANX130301BA
M12 - ANX130301BB
M13 - ANX130301BC
M14 - ANX130361AE
M15 - ANX130361AF
M16 - ANX130361AH
M17 - ANX130421AE
M18 - ANX130421AF
M19 - ANX130421AG
M20 - ANX130421AH
M21 - ANX130421AJ
M22 - ANX130481AE
M23 - ANX130481AF
M24 - ANX130481AG
M25 - ANX130601AE
M26 - ANX130601AF
M27 - ANX130611AD
M28 - ANX130611AE

# Control Box Assembly



UPPER ACCESS COVER

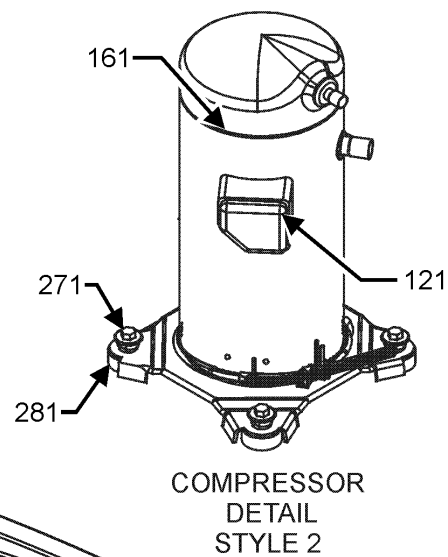
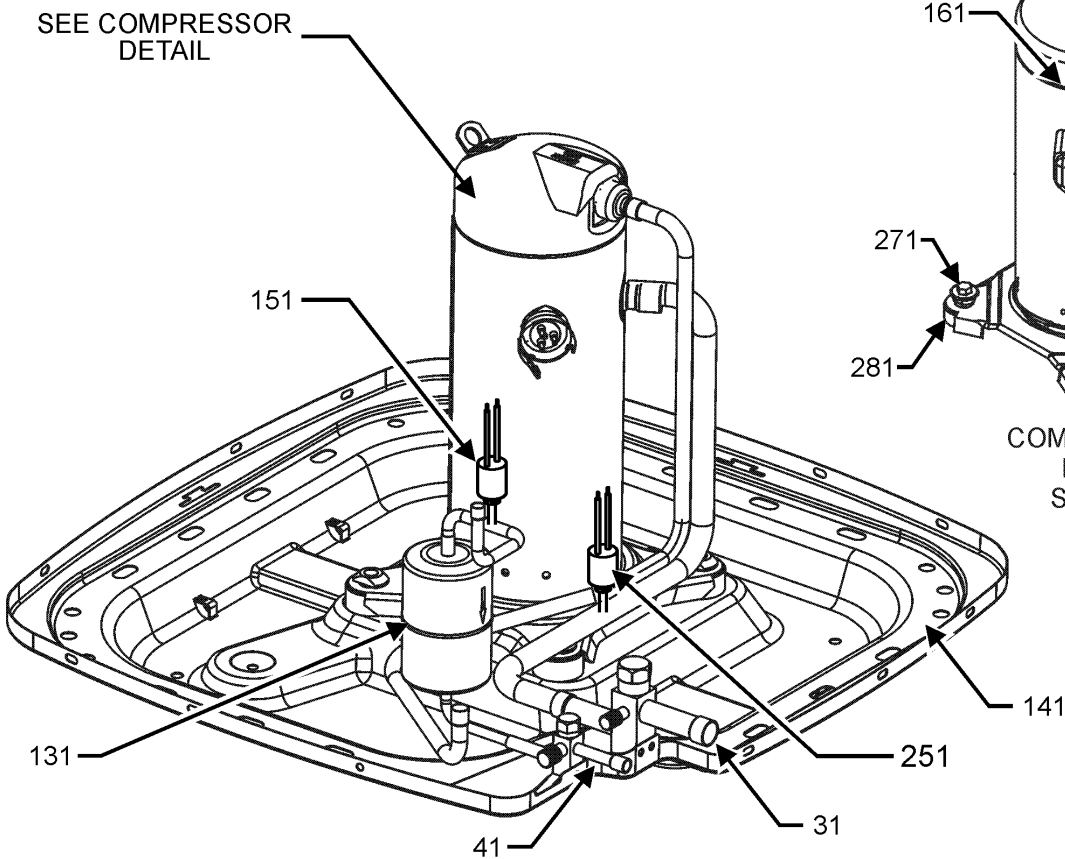
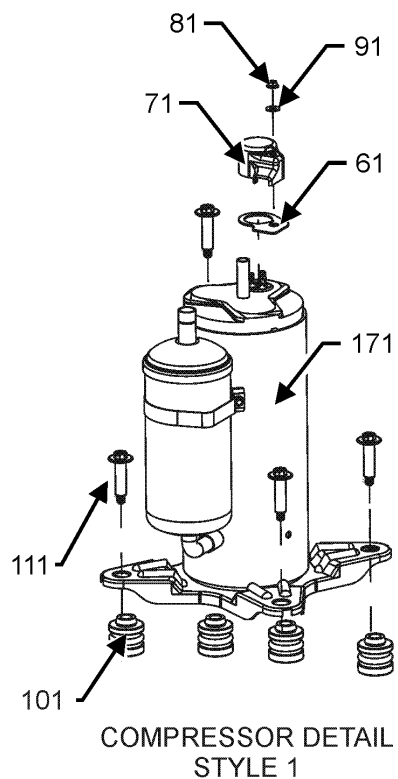
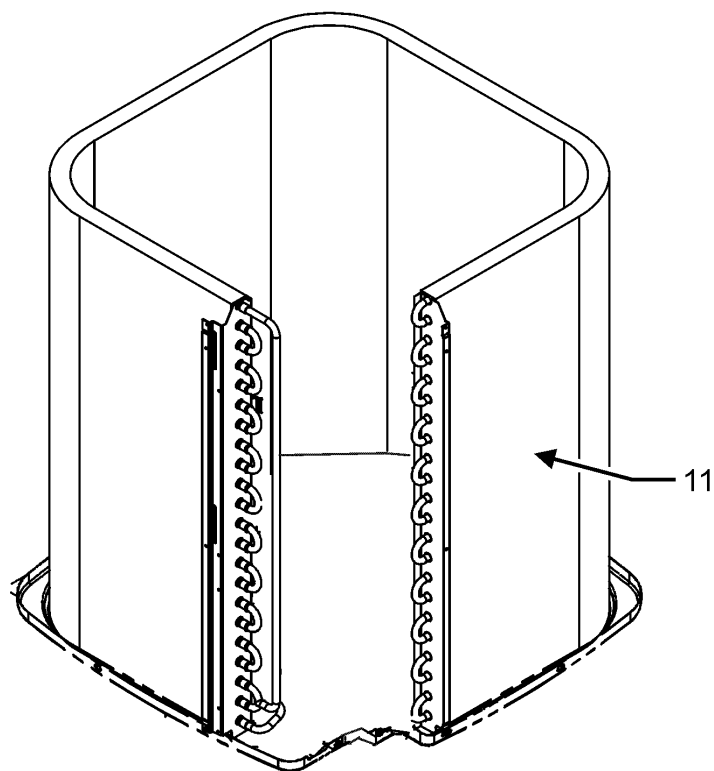


LOWER ACCESS PANEL

# Control Box Assembly

Ref. Part No:	Description:	Ref. Part No:	Description:
<b>Image 1:</b>		<b>Expanded Model Nomenclature</b>	
11	0121R00316PDG PANEL, LOWER ACCESS PNT (M25, M26)	M1	- ANX130181AC
11	0121R00326PDG PANEL, LOWER ACCESS PNT (M1)	M2	- ANX130181BA
11	0121R00912PDG PNL, LWR ACCESS (M17, M18, M19, M20, M21, M22, M23, M24, M27, M28)	M3	- ANX130181BB
11	0121R00915PDG PNL, LWR ACCESS (M2, M3, M4, M5, M6, M7, M8, M9, M10, M14, M15, M16)	M4	- ANX130181BC
11	0121R00919PDG PNL, LWR ACCESS (M11, M12, M13)	M5	- ANX130181BD
21	0121R00053PDG CONTROL COVER	M6	- ANX130181BE
71	CONT1P025024V CONTACTOR 25 AMP, 1P, 24V (M1, M2, M3, M4, M5, M6, M7, M8, M9, M10, M11, M12, M13, M14, M15, M16, M17, M18, M19, M20, M21)	M7	- ANX130241BC
71	CONT1P030024V CONTACTOR 30 AMP, 1P, 24V (M22, M23, M24, M25, M26, M27, M28)	M8	- ANX130241BD
81	CAP050350440CS CAP, 5/35 MFD/440V/DUAL RD (M2, M3, M4, M5, M6)	M9	- ANX130301AE
81	CAP050400440CT CAP, 5/40 MFD/440V/DUAL RD (M9, M10)	M10	- ANX130301AF
81	CAP050450440CT CAP, 5/45 MFD/440V/DUAL RD (M7, M8, M14, M15, M16, M17, M18, M19, M20, M21, M22, M23, M24)	M11	- ANX130301BA
81	CAP050500440CT CAP, 5/50 MFD/440V/DUAL RD (M11, M12, M13)	M12	- ANX130301BB
81	CAP050700440CT CAP, 5/70 MFD/440V/DUAL RD (M25, M26, M27, M28)	M13	- ANX130301BC
81	CAP050300440CS CAP, 5/30MFD/440V/DUAL RD (M1)	M14	- ANX130361AE
91	4400065 CAPACITOR STRAP	M15	- ANX130361AF
NS	0161R00087 NAMEPLATE, AMANA LOGO	M16	- ANX130361AH
		M17	- ANX130421AE
		M18	- ANX130421AF
		M19	- ANX130421AG
		M20	- ANX130421AH
		M21	- ANX130421AJ
		M22	- ANX130481AE
		M23	- ANX130481AF
		M24	- ANX130481AG
		M25	- ANX130601AE
		M26	- ANX130601AF
		M27	- ANX130611AD
		M28	- ANX130611AE

# Compressor and Tubing Assembly

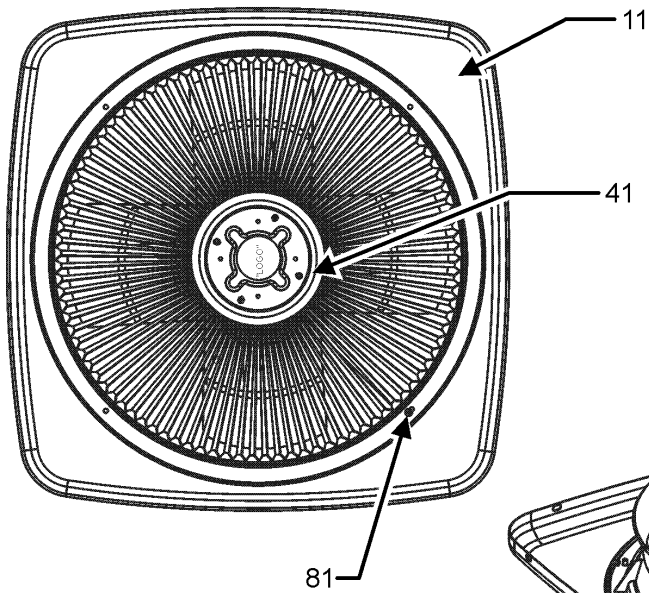


# Compressor and Tubing Assembly

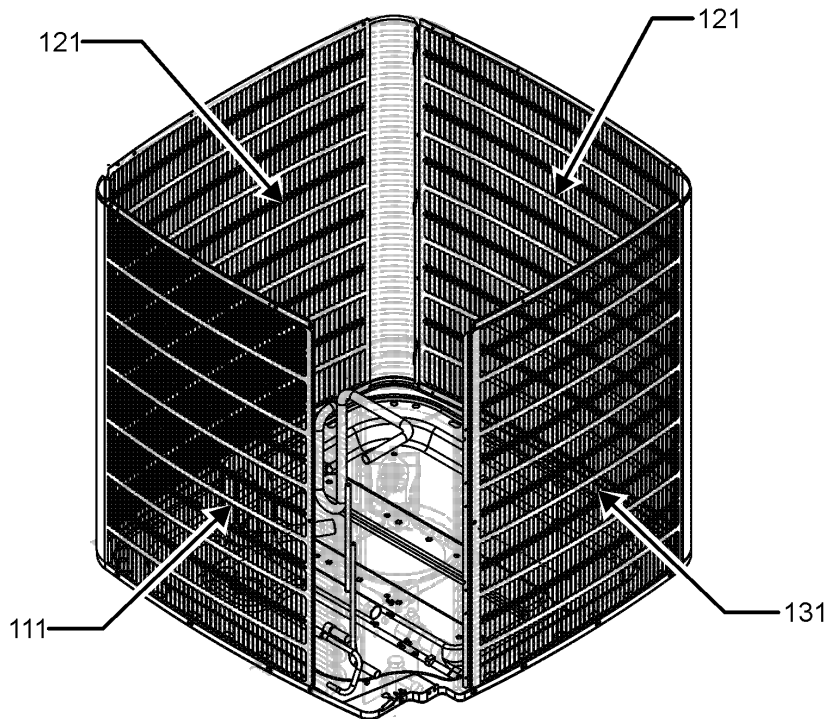
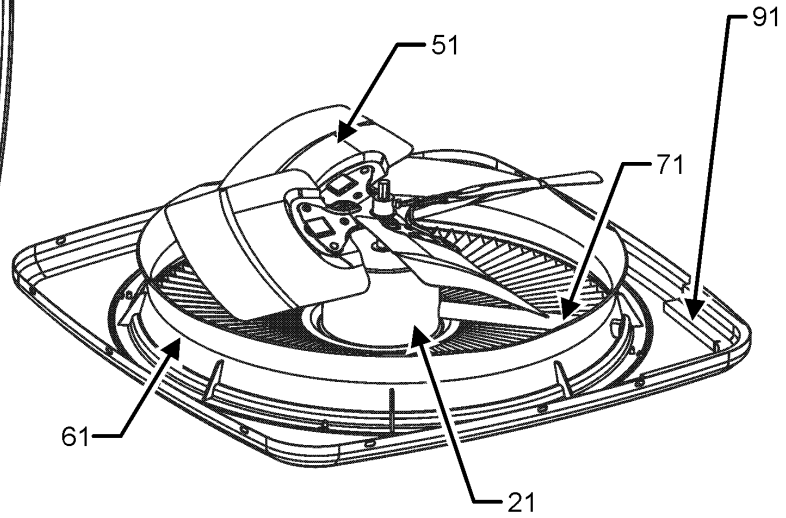
Ref. Part No:	Ref. Part No:	Description:	Description:	
<b>Image 1:</b>		<b>Image 1:</b>		
11	0201R00623	COIL CIRCUIT ASSY (M1)	171 50N382XV-ZAKM 1.5T RECHI ROTARY COMPRESSOR (M2, M3)	
11	0201R00624	COIL CIRCUIT ASSY (M9, M10, M14, M15, M16)	171 50N492ZV-ZAKM 2.0TONRECHI COMPR.4 LEGS (M7, M8)	
11	0201R00625	COIL CIRCUIT ASSY (M17, M18, M19, M20, M21, M22, M23, M24)	171 50N6229V-ZAKM 2.5 TON RECHI COMPR. 4 LEGS (M11, M12, M13)	
11	0201R00626	COIL CIRCUIT ASSY (M25, M26)	251 0130M00082 LOW PRESSURE SWITCH (M1)	
11	0201R00385	COIL TUBING ASSY (M27, M28)	271 M0221641 TF SHOULDER SCREW (M1, M9, M10, M14, M15, M16, M17, M18, M19, M20, M21, M22, M23, M24, M25, M26, M27, M28)	
11	0201R00458	COIL TUBING ASSY (M2, M3, M4, M5, M6)	281 B1339533 COMPRESSOR GROMMET (M1, M9, M10, M14, M15, M16, M17, M18, M19, M20, M21, M22, M23, M24, M25, M26, M27, M28)	
11	0201R00510	COIL TUBING ASSY (M7, M8)	NS B1789886 FLOW CHECK PISTON KIT (M25, M26, M27, M28)	
11	0201R00666	COIL TUBING ASSY (M11, M12, M13)	NS B1789851 FLOW CHECK PISTON KIT .051 (M1)	
31	0151R00185	BASE VALVE 3/4" (M1, M2, M3, M4, M5, M6, M7, M8, M9, M10, M11, M12, M13, M14, M15, M16)	NS B1789852 FLOW CHECK PISTON KIT .052 (M2, M3, M4, M5, M6)	
31	0151R00186	BASE VALVE 7/8" (M17, M18, M19, M20, M21, M22, M23, M24, M25, M26, M27, M28)	NS B1789855 FLOW CHECK PISTON KIT .055 (M7, M8)	
41	0151R00187	BASE VALVE 3/8"	NS B1789861 FLOW CHECK PISTON KIT .061 (M9, M10)	
61	60100107	TERMINAL COVER GASKET (M2, M3, M4, M5, M6, M7, M8, M11, M12, M13)	NS B1789867 FLOW CHECK PISTON KIT .067 (M11, M12, M13)	
71	60100317	TERMINAL COVER (M2, M3, M4, M5, M6, M7, M8, M11, M12, M13)	NS B1789870 FLOW CHECK PISTON KIT .070 (M14, M15, M16)	
81	60100401	TERMINAL NUT - RECHI COMP (M2, M3, M4, M5, M6, M7, M8, M11, M12, M13)	NS B1789876 FLOW CHECK PISTON KIT .076 (M17, M18, M19, M20, M21)	
91	60100201	WASHER - RECHI COMPRESSOR (M2, M3, M4, M5, M6, M7, M8, M11, M12, M13)	NS B1789880 FLOW CHECK PISTON KIT .080 (M22, M23, M24)	
101	60140209	GROMMET - RECHI COMPRESSOR (M2, M3, M4, M5, M6, M7, M8, M11, M12, M13)	<b>Expanded Model Nomenclature</b>	
111	0163M00186	SCREW-SHOULDER TF (M2, M3, M4, M5, M6, M7, M8, M11, M12, M13)	<div style="border: 1px solid black; padding: 5px;"> M1 - ANX130181AC  M2 - ANX130181BA  M3 - ANX130181BB  M4 - ANX130181BC  M5 - ANX130181BD  M6 - ANX130181BE  M7 - ANX130241BC  M8 - ANX130241BD  M9 - ANX130301AE  M10 - ANX130301AF  M11 - ANX130301BA  M12 - ANX130301BB  M13 - ANX130301BC  M14 - ANX130361AE  M15 - ANX130361AF  M16 - ANX130361AH  M17 - ANX130421AE  M18 - ANX130421AF  M19 - ANX130421AG  M20 - ANX130421AH  M21 - ANX130421AJ  M22 - ANX130481AE  M23 - ANX130481AF  M24 - ANX130481AG  M25 - ANX130601AE  M26 - ANX130601AF  M27 - ANX130611AD  M28 - ANX130611AE </div>	
121	0159R00019	HARNESS, COMP SCROLL (M14, M15, M16)		
121	0159R00020	HARNESS, COMP SCROLL (M20, M23)		
121	0159R00000P	HARNESS, COMP SCROLL 130 36" (M1, M9, M10)		
121	0159R00001P	HARNESS, COMP SCROLL 130 42" (M17, M18, M19, M21, M22, M24)		
121	0159R00017	HARNESS, COMP-SCROLL (M25, M26, M27, M28)		
131	0162R00009	DRIER - FILTER (M1)		
131	0162R00057	FILTER DRIER (M2, M3, M4, M5, M6, M7, M8, M9, M10, M11, M12, M13, M14, M15, M16, M17, M18, M19, M20, M21, M22, M23, M24, M25, M26, M27, M28)		
141	0121R00005PDG	BASE PAN 26" (M1, M2, M3, M4, M5, M6, M7, M8, M9, M10, M11, M12, M13, M14, M15, M16)		
141	0121R00006PDG	BASE PAN 29" (M17, M18, M19, M20, M21, M22, M23, M24, M25, M26)		
141	0121R00007PDG	BASE PAN 35" (M27, M28)		
151	0130M00089	SW-CUTOOUT HI PRESS (M2, M3, M4, M5, M6, M7, M8, M11, M12, M13)		
161	ZP24K5EPFV130	COMP,24000,208/230/60/1 (M9, M10)		
161	ZP29K5EPFV130	COMP,29000,208/230/60/1 (M14, M15, M16)		
161	ZP49K5EPFV130	COMP,49400,208/230/60/1 (M25, M26)		
161	ZP16K5EPFV130	COMPRESSOR 15500, 208/230/60/1 (M1)		
161	ZP34K5EPFV130	COMPRESSOR 34500, 208/230/60/1 (M17, M18, M19, M20, M21)		
161	ZP39K5EPFV130	COMPRESSOR 39000, 208/230/60/1 (M22, M23, M24)		
161	ZP51K5EPFV130	COMPRESSOR 51000, 208/230/60/1 (M27, M28)		
171	50N382YV-ZAKM	1.5T RECHI COMPRESSOR (4-LEGS) (M4, M5, M6)		

# Cabinet Top and Side Panel Assembly

TOP VIEW



BOTTOM VIEW



LOUVER PANEL ASSEMBLY

# Cabinet Top and Side Panel Assembly

Ref. Part No:	Ref. Part No:	Description:	Description:	
<b>Image 1:</b>		<b>Image 1:</b>		
11	0121R00008PDG	PANEL, TOP 26" PNT (M1, M2, M3, M4, M5, M6, M7, M8, M9, M10, M11, M12, M13, M14, M15, M16)	121 0121R00205PLG LOUVERED SIDE PANEL (M17, M18, M19, M20, M21, M22, M23, M24)	
11	0121R00010PDG	PANEL, TOP 29" PNT (M17, M18, M19, M20, M21, M22, M23, M24, M25, M26)	121 0121R00206PLG LOUVERED SIDE PANEL (M25, M26)	
11	0121R00269PDG	PANEL, TOP 35" PNT (M27, M28)	121 0121R00243PLG LOUVERED SIDE PANEL (M27, M28)	
21	0131M00266	1/8 HP 8 PL PSC MOTOR (M2, M4, M11)	131 0121R00202PLG LOUVERED SIDE PANEL [LT OF CNTL PNL] (M17, M18, M19, M20, M21, M22, M23, M24)	
21	0131M00811	1/8 HP 8 PL PSC MOTOR (M1, M3, M5, M12)	131 0121R00203PLG LOUVERED SIDE PANEL [LT OF CNTL PNL] (M25, M26)	
21	0131M00018P	MOTOR, 1/4HP, 1SP, 6PL (M14, M17, M19, M22, M25)	131 0121R00207PLG LOUVERED SIDE PANEL [LT OF CNTL PNL] (M1, M2, M3, M4, M5, M6, M7, M8, M9, M10, M14, M15, M16)	
21	0131M00813	MOTOR, 1/4HP, 1SP, 6PL (M15, M18, M20, M23, M26)	131 0121R00208PLG LOUVERED SIDE PANEL [LT OF CNTL PNL] (M11, M12, M13)	
21	0131M00968	MOTOR, 1/4HP, 1SP, 8PL, AL (M28)	131 0121R00239PLG LOUVERED SIDE PANEL [LT OF CNTL PNL] (M27, M28)	
21	0131M00807	MOTOR, 1/4HP, 1SP, 8PL, AL (M27)	NS 0163M00005P WASHER, BLACK (.50 OD .218D) (QTY 4)	
21	0131M00800	MOTOR, 1/8HP, 1SP, 6PL, AL (M7, M9, M10)	<b>Expanded Model Nomenclature</b>	
21	0131M00967	MOTOR, 1/8HP, 1SP, 6PL, AL (M8)	M1 - ANX130181AC	
21	0131M00969	MOTOR, 1/8HP, 8PL, PSC (M6, M13)	M2 - ANX130181BA	
21	0131M00954	MOTOR, OD, PSC, 1/4HP (M16, M21, M24)	M3 - ANX130181BB	
41	0163M00006P	ACORN NUT 5/16 HEX BLACK (QTY 4)	M4 - ANX130181BC	
51	0150M00041	FAN BLADE (M1 1, M12, M13, M14, M15)	M5 - ANX130181BD	
51	0150M00067	FAN BLADE (M1 6)	M6 - ANX130181BE	
51	0150M00018	FAN BLADE 20" (M1, M2, M3, M4, M5, M6, M7, M8, M9, M10)	M7 - ANX130241BC	
51	B1086750	FAN BLADE, 22", 3 BLADE, 24 DEG (M17, M18, M19, M20, M21, M22, M23, M24, M25, M26)	M8 - ANX130241BD	
51	0150M00066	FAN BLADE, 26" (M27, M28)	M9 - ANX130301AE	
61	0161R00007P	RING, VENTURI 35" (M27, M28)	M10 - ANX130301AF	
61	0161L00000	RING-VENTURI 22 (M17, M18, M19, M20, M21, M22, M23, M24, M25, M26)	M11 - ANX130301BA	
71	0161R00001P	CONDUIT (M1, M2, M3, M4, M5, M6, M7, M8, M9, M10, M11, M12, M13, M14, M15, M16)	M12 - ANX130301BB	
71	0161R00002P	CONDUIT (M17, M18, M19, M20, M21, M22, M23, M24, M25, M26)	M13 - ANX130301BC	
71	0161R00004P	CONDUIT (M27, M28)	M14 - ANX130361AE	
81	0163M00003P	SCREW, #10 X 1/2, A, SLOT, SR, BLK (M2, M3, M4, M5, M6, M7, M8, M11, M12, M13)	M15 - ANX130361AF	
81	0163M00004	SCREW, #10X3/4", BLK (M1, M9, M10, M14, M15, M16, M17, M18, M19, M20, M21, M22, M23, M24, M25, M26, M27, M28)	M16 - ANX130361AH	
91	0154R00006	GASKET, CONTROL PANEL	M17 - ANX130421AE	
111	0121R00194PLG	LOUVERED SIDE PANEL [RT OF CNTL PNL] (M17, M18, M19, M20, M21, M22, M23, M24)	M18 - ANX130421AF	
111	0121R00195PLG	LOUVERED SIDE PANEL [RT OF CNTL PNL] (M25, M26)	M19 - ANX130421AG	
111	0121R00196PLG	LOUVERED SIDE PANEL [RT OF CNTL PNL] (M1, M2, M3, M4, M5, M6, M7, M8, M9, M10, M14, M15, M16)	M20 - ANX130421AH	
111	0121R00197PLG	LOUVERED SIDE PANEL [RT OF CNTL PNL] (M11, M12, M13)	M21 - ANX130421AJ	
111	0121R00247PLG	LOUVERED SIDE PANEL [RT OF CNTL PNL] (M27, M28)	M22 - ANX130481AE	
121	0121R00198PLG	LOUVERED SIDE PANEL (M1, M2, M3, M4, M5, M6, M7, M8, M9, M10, M14, M15, M16)	M23 - ANX130481AF	
121	0121R00199PLG	LOUVERED SIDE PANEL (M11, M12, M13)	M24 - ANX130481AG	
			M25 - ANX130601AE	
			M26 - ANX130601AF	
			M27 - ANX130611AD	
			M28 - ANX130611AE	