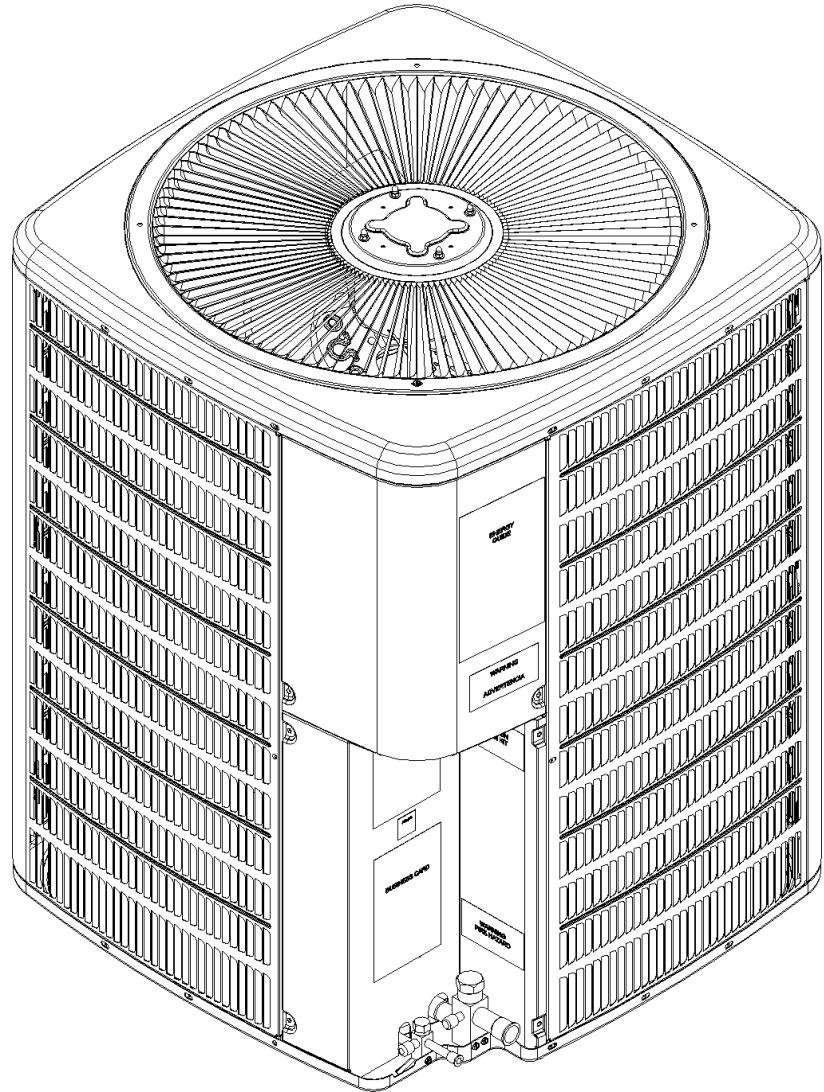


ANX13 Remote Condensing Unit

ANX130241BA

ANX130241BB



Amana® is a registered trademark of Maytag Corporation or its related companies and is used under license. All rights reserved.

This manual is to be used by qualified technicians only.

This manual replaces RP-A4035.

© 2016 Goodman Manufacturing Company, L.P. ♦ 5151 San Felipe St, Suite 500 ♦ Houston, TX 77056

Important Information

Index

Functional Parts List	3
Illustration and Parts	4 - 9

Views shown are for parts illustrations only, not servicing procedures

Text Codes:

AR - As Required

NA - Not Available

NS - Not Shown

00000000 - See Note

QTY - Quantity Example (QTY 3) (If Quantity not shown, Quantity = 1)

M - Model Example (M1) (If M Code not shown, then part is used on all Models)

Expanded Model Nomenclature:

Example M1 - Model#1 M2 - Model#2 M3 - Model#3

Goodman Manufacturing Company, L.P. is not responsible for personal injury or property damage resulting from improper service. Review all service information before beginning repairs.

Warranty service must be performed by an authorized technician, using authorized factory parts. If service is required after the warranty expires, Goodman Manufacturing Company, L.P. also recommends contacting an authorized technician and using authorized factory parts.

Goodman Manufacturing Company, L.P. reserves the right to discontinue, or change at any time, specifications or designs without notice or without incurring obligations.

For assistance within the U.S.A. contact:
Homeowner Support
Goodman Manufacturing Company, L.P.
19001 Kermier Road
Waller, Texas 77484
877-254-4729-Telephone
713-863-2382-Facsimile

For assistance outside the U.S.A. contact:
International Division
Goodman Manufacturing Company, L.P.
19001 Kermier Road
Waller, Texas 77484
713-861-2500-Telephone
713-863-2382-Facsimile

Functional Parts

Part

No: **Description:**

50N492ZV-ZAKM	2.0TONRECHI COMPR.4 LEGS
B12825171	3/8" SERVICE VALVE
CAP050450440CT	CAPACITOR 5/45/440V/DUAL RD
0131M00294	COND MOTOR, 1/8HP, ISP, 6PL (M1)
0131M00800	COND MOTOR, 1/8HP, ISP, 6PL, AL (M2)
CONT1P025024V	CONTACTOR 25 AMP, 1P, 24V
0130M00089	CUT-OUT SWITCH, HIGH PRESSURE
0150M00018	FAN BLADE 20"
0151R00032	VALVE, BASE 3/4" OPEN LEFT

SPECIAL PARTS

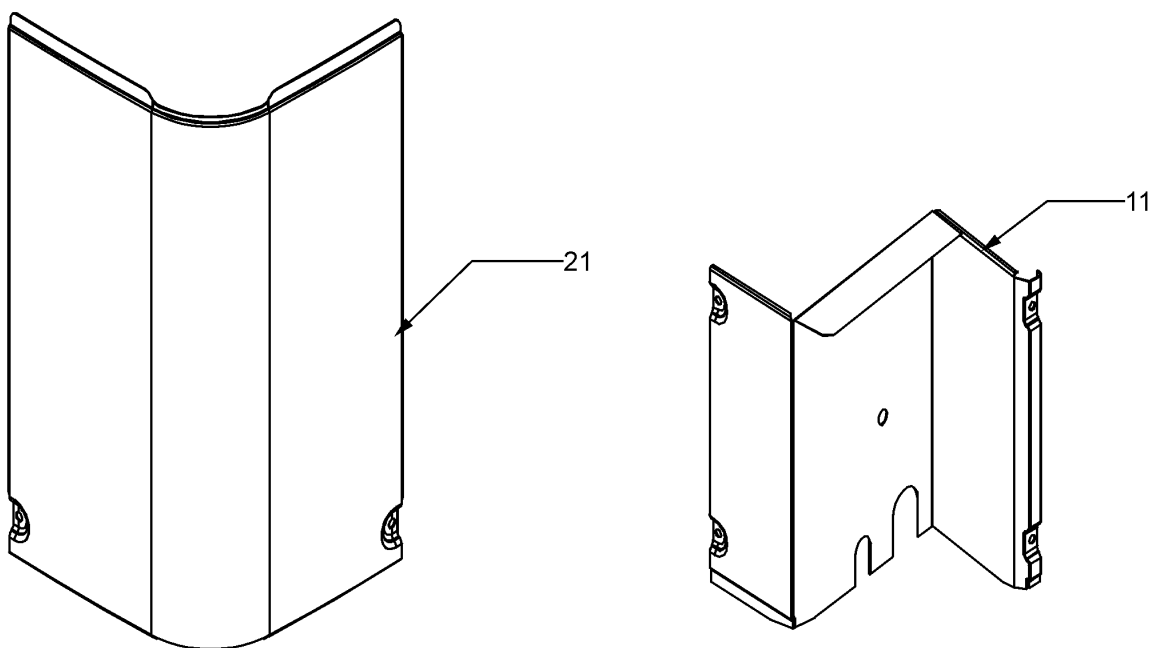
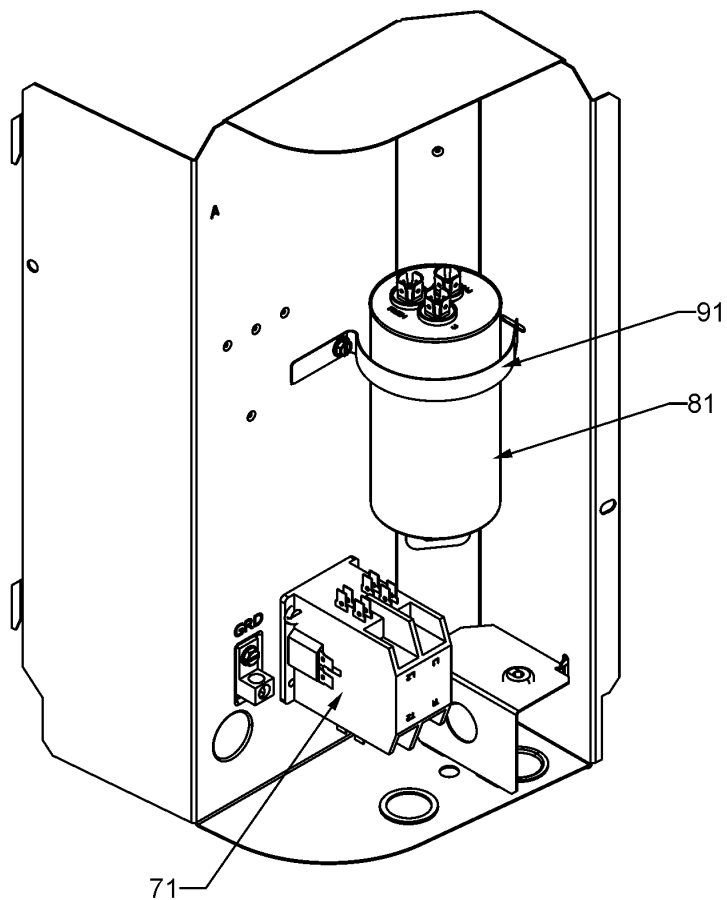
0161R00010P AMANA NAMEPLATE

Expanded Model Nomenclature

M1 - ANX130241BA

M2 - ANX130241BB

Control Box Assy



Control Box Assy

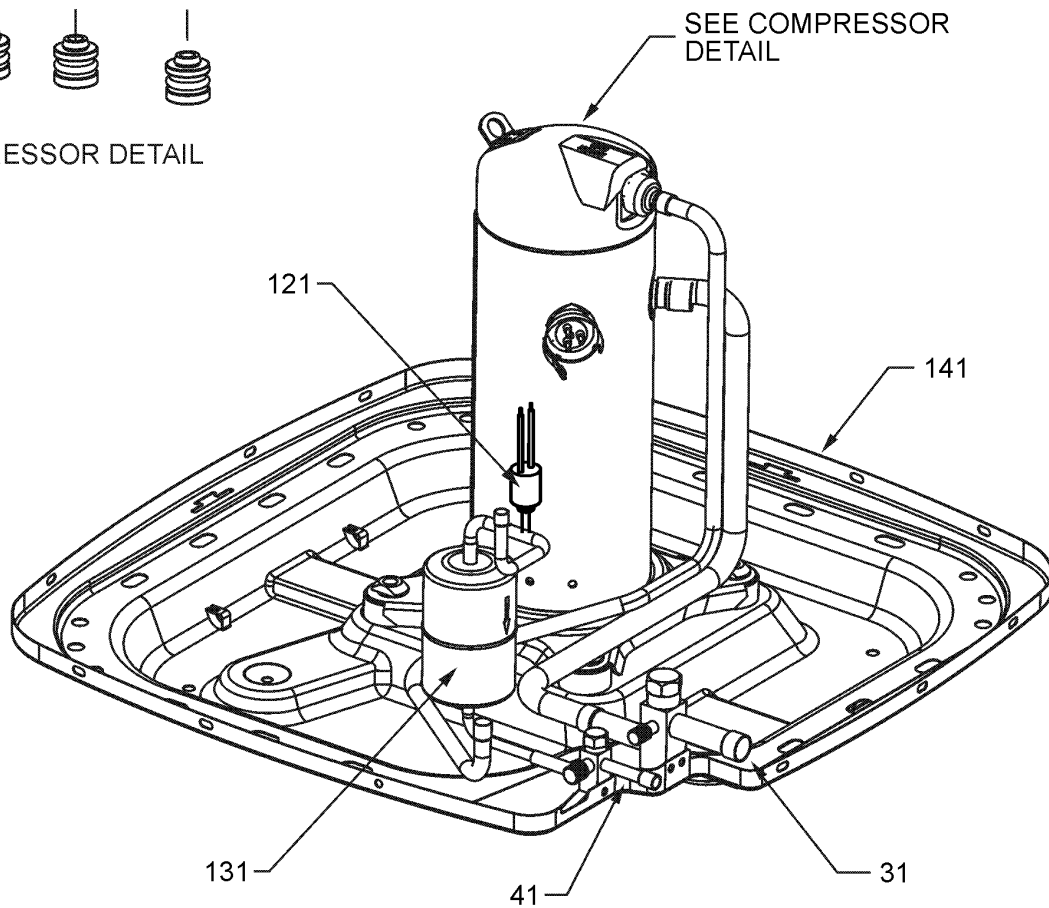
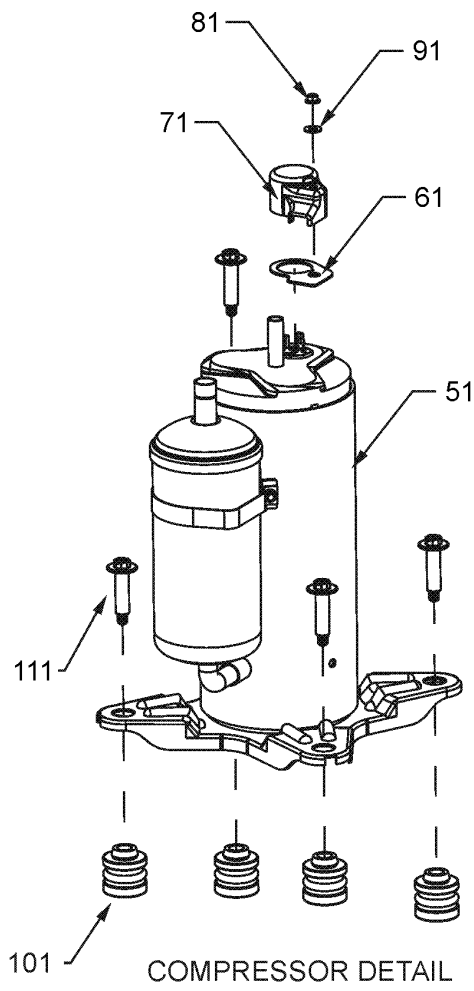
Ref. Part No:	No:	Description:	Ref. Part No:	No:	Description:
<i>Image 1:</i>					
11	0121R00326PDG	PANEL, LOWER ACCESS PNT			
21	0121R00053PDG	CONTROL COVER			
71	CONT1P025024V	CONTACTOR 25 AMP, 1P, 24V			
81	CAP050450440CT	CAPACITOR 5/45/440V/DUAL RD			
91	4400065	CAPACITOR STRAP			
NS	0161R00010P	AMANA NAMEPLATE			

Expanded Model Nomenclature

M1 - ANX130241BA

M2 - ANX130241BB

Compressor and Tubing Assembly



Compressor and Tubing Assembly

Ref. Part No: No:	Description:	Ref. Part No: No:	Description:
-------------------	--------------	-------------------	--------------

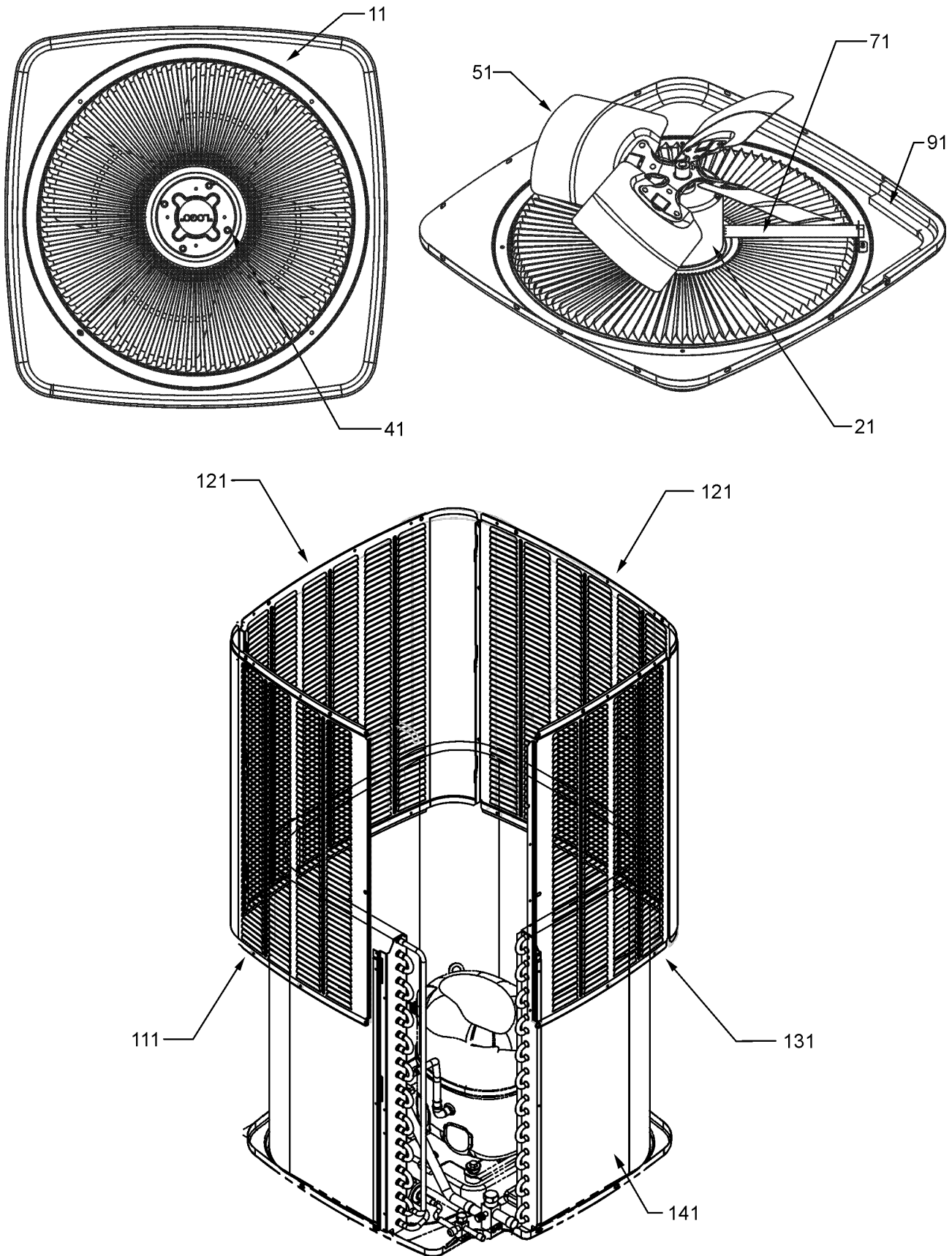
Image 1:

31	0151R00032	VALVE, BASE 3/4" OPEN LEFT
41	B12825171	3/8" SERVICE VALVE
51	50N492ZV-ZAKM	2.0TONRECHI COMPR.4 LEGS
61	60100107	TERMINAL COVER GASKET
71	60100317	TERMINAL COVER
81	60100401	TERMINAL NUT - RECHI COMP
91	60100201	WASHER - RECHI COMPRESSOR
101	60140209	GROMMET - RECHI COMPRESSOR (QTY 4)
111	0163M00186	SCREW-SHOULDER TF (QTY 4)
121	0130M00089	CUT-OUT SWITCH, HIGH PRESSURE
131	0162R00009	FILTER DRIER
141	0121R00005PDG	BASE PAN 26"

Expanded Model Nomenclature

M1 - ANX130241BA
M2 - ANX130241BB

Cabinet Top and Side Panel Assy



Cabinet Top and Side Panel Assy

Ref. Part No: No:	Description:	Ref. Part No: No:	Description:
-------------------	--------------	-------------------	--------------

Image 1:

11	0121R00008PDG	TOP PANEL 26"
21	0131M00294	COND MOTOR, 1/8HP, ISP, 6PL (M1)
21	0131M00800	COND MOTOR, 1/8HP, ISP, 6PL, AL (M2)
41	0163M00006P	ACORN NUT 5/16 HEX BLACK (QTY 4)
51	0150M00018	FAN BLADE 20"
71	0161R00001P	CONDUIT
91	0154R00006	GASKET, CONTROL PANEL
111	0121R00207PLGB	LOUVERED SIDE PANEL [LT OF CNTL PNL]
121	0121R00198PLGB	LOUVERED SIDE PANEL (QTY 2)
131	0121R00196PLG	LOUVERED SIDE PANEL [RT OF CNTL PNL]
141	0201R00510	TUBING ASSY, COND COIL
NS	B1789855	FLOW CHECK PISTON KIT .055
NS	0163M00005P	WASHER, BLACK (.50 OD .218ID) (QTY 4)

Expanded Model Nomenclature

M1 - ANX130241BA

M2 - ANX130241BB